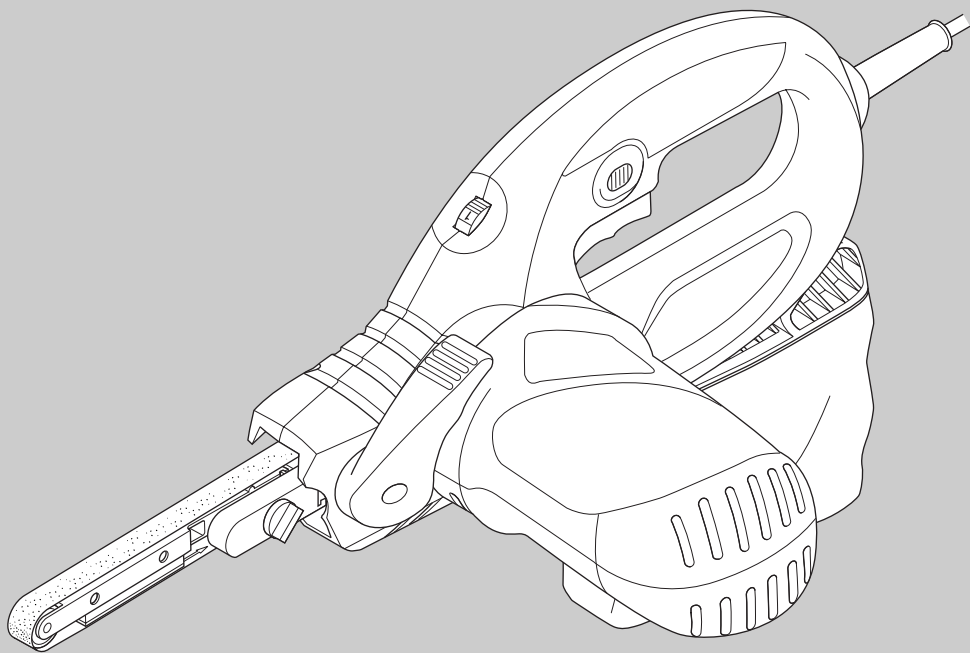
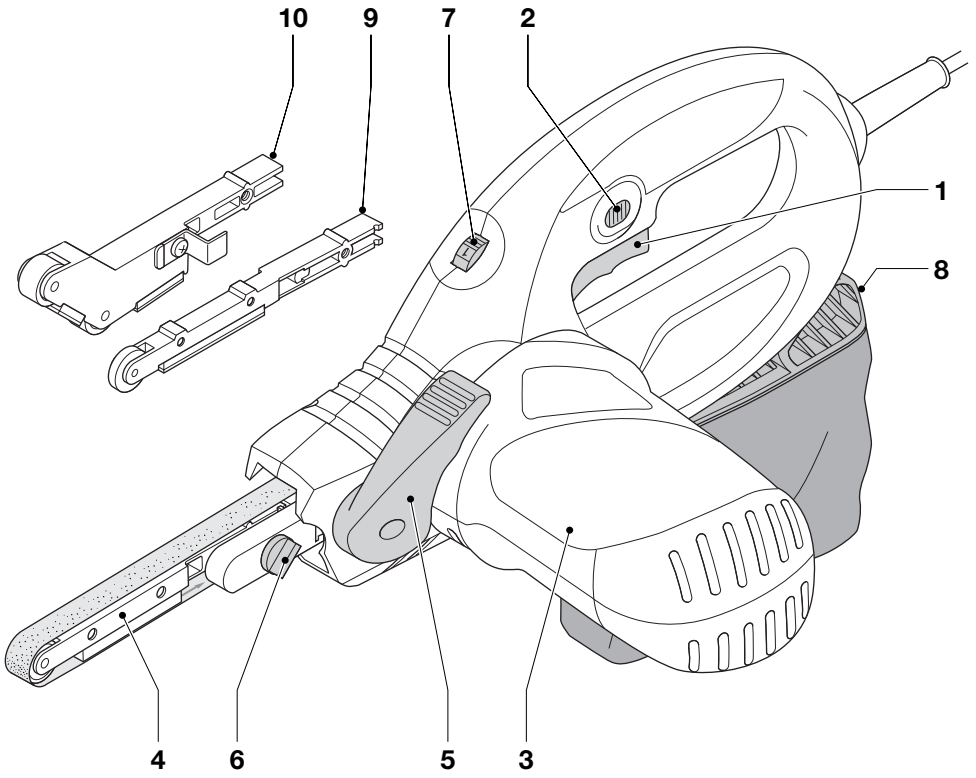


 **BLACK &  
DECKER®**

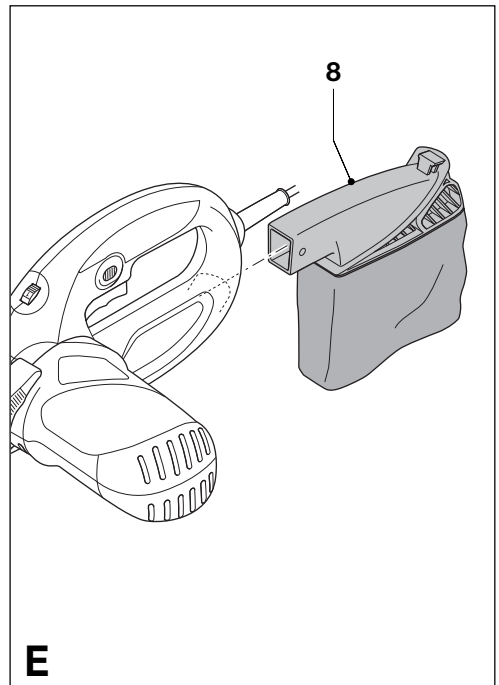
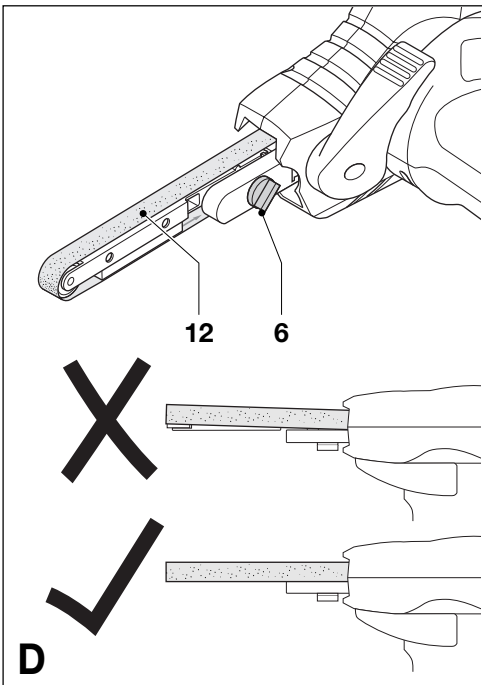
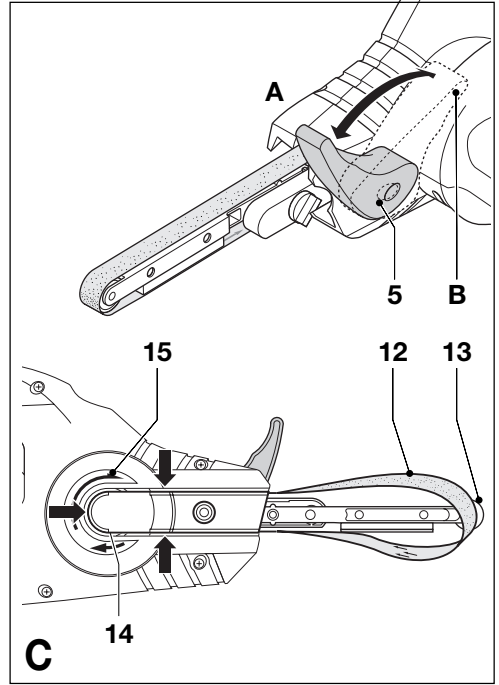
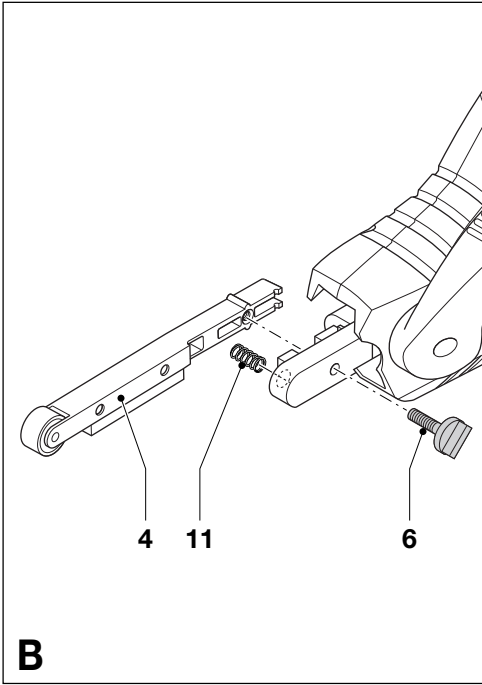


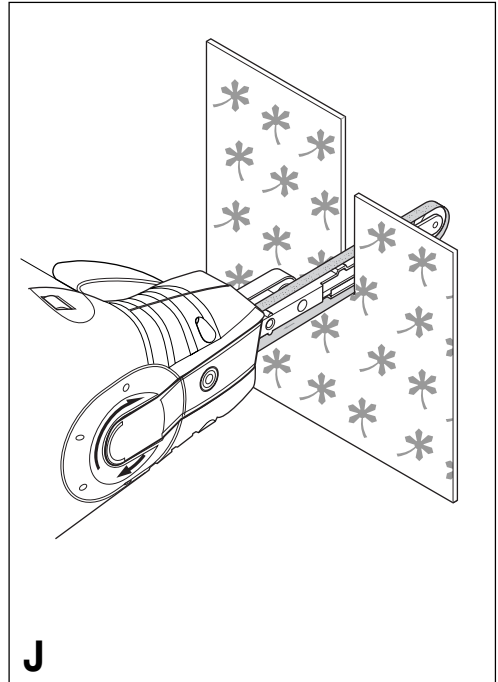
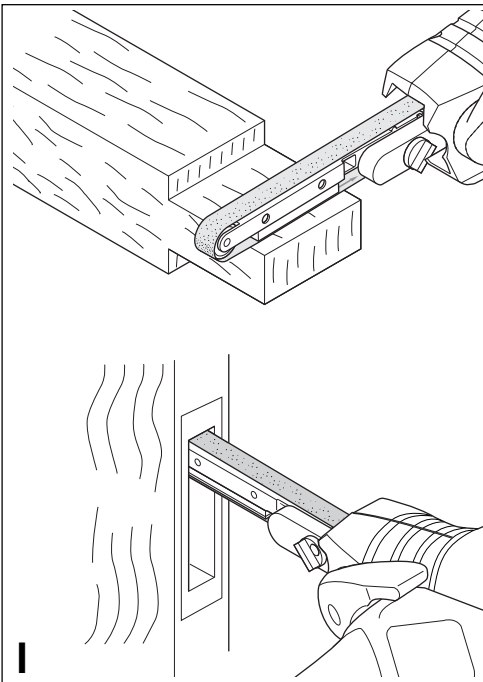
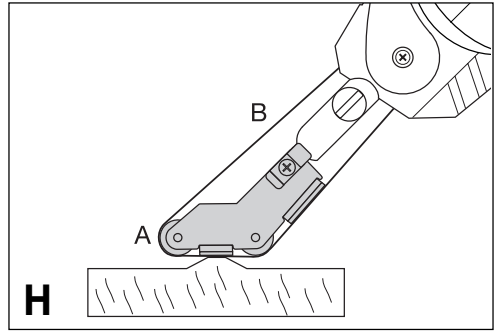
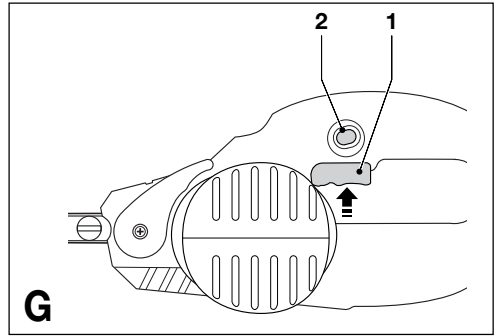
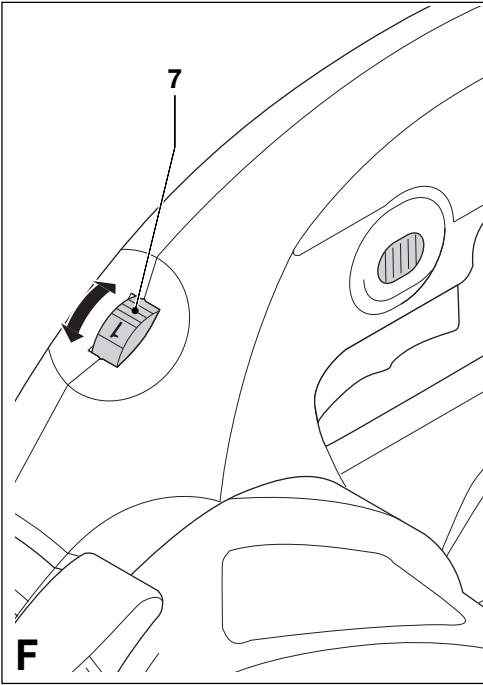
**KA293**





**A**





# Powerfile™ KA293E/KA293G

## CONGRATULATIONS!

You have chosen a Black & Decker tool. Our aim is to provide quality tools at an affordable price. We hope that you will enjoy using this tool for many years.

## EC DECLARATION OF CONFORMITY



KA293E/KA293G

Black & Decker declares that these products conform to:  
98/37/EC, 89/336/EEC, 73/23/EEC,  
EN 50144, EN 55014, EN 61000

Level of sound pressure, measured according to EN 50144:

		KA293E	KA293G
$L_{pA}$	(sound pressure) dB(A)	88	88
$L_{WA}$	(acoustic power) dB(A)	101	101



Always wear ear protection if the sound pressure exceeds 85 dB(A).

Hand/arm weighted vibration value according to EN 50144:

	KA293E	KA293G
	< 2.5 m/s <sup>2</sup>	< 2.5 m/s <sup>2</sup>

Brian Cooke

Director of Engineering

Spennymoor, County Durham DL16 6JG,  
United Kingdom

## INTENDED USE

Your Black & Decker Powerfile™ sander KA293E/KA293G has been designed for the following applications:

- sanding, shaping and finishing wood, metal, plastics and painted surfaces
- removing paint or rust
- cutting tiles
- sanding and finishing ceramics (using a silicon carbide sanding belt)

This tool is intended for consumer use only.

## SAFETY INSTRUCTIONS

### Warning symbols

The following symbols are used in this manual:



Denotes risk of personal injury, loss of life or damage to the tool in case of non-observance of the instructions in this manual.



Denotes risk of electric shock.



Read the manual prior to operation.



Fire hazard.

### Know your tool



- ◆ **Warning!** When using mains-powered tools, basic safety precautions, including the following, should always be followed to reduce the risk of fire, electric shock, personal injury and material damage.
- ◆ Read all of this manual carefully before operating the tool.
- ◆ Before operating the tool, make sure that you know how to switch the tool off in an emergency.
- ◆ Retain this manual for future reference.

## General

### 1. Keep work area clean

Cluttered areas and benches can cause accidents.

### 2. Consider work area environment

Do not expose the tool to rain. Do not use the tool in damp or wet conditions. Keep the work area well lit. Do not use the tool where there is a risk of causing fire or explosion, e.g. in the presence of flammable liquids and gases.

### 3. Keep children away

Do not allow children, visitors or animals to come near the work area or to touch the tool or mains cable.

### 4. Dress properly

Do not wear loose clothing or jewellery, as these can be caught in moving parts. Preferably wear rubber gloves and non-slip footwear when working outdoors. Wear protective hair covering to keep long hair out of the way.

### 5. Personal protection

Always use safety glasses. Use a face or dust mask whenever the operations may produce dust or flying particles. Wear ear protection whenever the sound level seems uncomfortable.

### 6. Guard against electric shock

Prevent body contact with earthed or grounded surfaces (e.g. pipes, radiators, cookers and refrigerators). Electric safety can be further improved by using a high-sensitivity (30 mA / 30 mS) residual current device (RCD).

### 7. Do not overreach

Keep proper footing and balance at all times.

### 8. Stay alert

Watch what you are doing. Use common sense. Do not operate the tool when you are tired.

### 9. Secure workpiece

Use clamps or a vice to hold the workpiece. It is safer and it frees both hands to operate the tool.

### 10. Connect dust extraction equipment

If devices are provided for the connection of dust extraction and collection facilities, ensure that these are connected and properly used.

### 11. Remove keys and adjusting wrenches

Always check that keys and adjusting wrenches are removed from the tool before operating the tool.

### 12. Extension cables

Before use, inspect the extension cable and replace if damaged. When using the tool outdoors, only use extension cables intended for outdoor use.

### 13. Use appropriate tool

The intended use is described in this instruction manual. Do not force small tools or attachments to do the job of a heavy-duty tool. The tool will do the job better and safer at the rate for which it was intended. Do not force the tool.

**Warning!** The use of any accessory or attachment or performance of any operation with this tool other than those recommended in this instruction manual may present a risk of personal injury.

### 14. Check for damaged parts

Before use, carefully check the tool and mains cable for damage. Check for misalignment and seizure of moving parts, breakage of parts, damage to guards and switches and any other conditions that may affect its operation.

Ensure that the tool will operate properly and perform its intended function. Do not use the tool if any part is damaged or defective.

Do not use the tool if the switch does not turn it on and off. Have any damaged or defective parts repaired or replaced by an authorised repair agent. Never attempt any repairs yourself.

### 15. Unplug the tool

Unplug the tool when it is not in use, before changing any parts of the tool, accessories or attachments and before servicing.

### 16. Avoid unintentional starting

Do not carry the tool with a finger on the on/off switch. Be sure that the tool is switched off when plugging in.

### 17. Do not abuse cord

Never carry the tool by its cord or pull it to disconnect from the socket. Keep the cord away from heat, oil and sharp edges.

## 18. Store idle tools

When not in use, tools should be stored in a dry, locked up or high place, out of reach of children.

## 19. Maintain tools with care

Keep cutting tools sharp and clean for better and safer performance. Follow the instructions for maintenance and changing accessories. Keep handles and switches dry, clean and free from oil and grease.

## 20. Repairs

This tool complies with relevant safety requirements. Repairs should only be carried out by qualified persons using original spare parts; otherwise this may result in considerable danger to the user.

### Additional safety instructions for sanders

- ◆ Preferably wear a dust mask whenever sanding.
- ◆ Thoroughly remove all dust after sanding.
- ◆ Take special care when sanding paint which is possibly lead based or when sanding some woods and metal which may produce toxic dust:
  - Wear a dust mask specifically designed for protection against lead paint dust and fumes and ensure that persons within or entering the work area are also protected.
  - Do not let children or pregnant women enter the work area.
  - Do not eat, drink or smoke in the work area.
  - Dispose of dust particles and any other debris safely.



Before using the tool on wooden workpieces, preferably fit the dustbag.



Before using the tool on metal workpieces or workpieces containing metal, make sure to remove the dustbag.



Wear gloves when working with metal workpieces.



Wear safety glasses or goggles when working with metal workpieces.



Wear ear protection when operating this tool.

### Additional safety instructions for Australia and New Zealand

- ◆ This appliance is not intended for use by young or infirm persons without supervision. Children must be supervised to ensure they do not play with the appliance.
- ◆ If the supply cord is damaged, it must be replaced by the manufacturer or an authorised Black & Decker Service Centre in order to avoid a hazard.

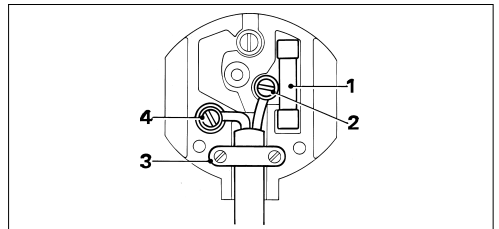
### ELECTRICAL SAFETY

The electric motor has been designed for one voltage only. Always check that the power supply corresponds to the voltage on the rating plate.



This tool is double insulated in accordance with EN 50144; therefore no earth wire is required.

### Mains plug replacement (U.K. & Ireland only)



- ◆ Should your mains plug need replacing and you are competent to do this, proceed as instructed below. If you are in doubt, contact an authorised repair agent or a qualified electrician.
- ◆ Disconnect the plug from the supply and remove the fuse from the plug.
- ◆ Cut off the plug and dispose of it safely; a plug with bared copper conductors is dangerous if engaged in a live socket outlet.
- ◆ Only fit 13 Amperes BS1363A approved plugs fitted with the correctly rated fuse (1).



- ◆ The cable wire colours, or a letter, will be marked at the connection points of most good quality plugs. Attach the wires to their respective points in the plug (see above). Brown is for Live (L) (2), blue is for Neutral (N) (4).
- ◆ Before replacing the top cover of the mains plug ensure that the cable restraint (3) is holding the outer sheath of the cable firmly and that the leads are correctly fixed at the terminal screws.
- ◆ If the plug has a fuse cover, make sure that the fuse cover is fitted. Do not use the plug if the fuse cover is missing or damaged.



Never use a light socket.

### Using an extension cable

Always use an approved extension cable suitable for the power input of this tool (see technical data). Before use, inspect the extension cable for signs of damage, wear and ageing. Replace the extension cable if damaged or defective. When using a cable reel, always unwind the cable completely. Use of an extension cable not suitable for the power input of the tool or which is damaged or defective may result in a risk of fire and electric shock.

### CARTON CONTENTS

The carton contains:

- 1 Powerfile
  - 1 Set of sanding belts
  - 1 Straight arm
  - 1 Narrow arm (KA293G)
  - 1 Cranked arm (KA293G)
  - 1 Instruction manual
- ◆ Carefully unpack all parts.
  - ◆ Please note that additional items may be found in the carton, depending on the letter suffix following the catalogue number of your tool.

### OVERVIEW (fig. A)

1. On/off switch
2. Lock-on button
3. Secondary handle

4. Straight arm
5. Belt tensioning lever
6. Belt tracking knob
7. Variable speed control knob
8. Dustbag
9. Narrow arm (KA293G)
10. Cranked arm (KA293G)

### ASSEMBLY



Before assembly, make sure that the tool is switched off and unplugged.

### Fitting and removing sanding arms (fig. B)

Before first use, you must fit the sanding arm to the tool. A straight arm (sanding width 13 mm) is supplied with all models. In addition, the KA293G is supplied with the following:

- a narrow arm (sanding width 6 mm) for intricate work
- a cranked arm for grooving and sanding in the centre of workpieces and for reaching confined areas

These parts are also available as an accessory from your Black & Decker dealer, (not available in Australia and New Zealand).

### Fitting

- ◆ Make sure that the belt tensioning lever (5) is in the position shown (B).
- ◆ Loosen and remove the belt tracking knob (6).
- ◆ Remove the tape retaining the spring (11) (if present).
- ◆ Check that the spring is located in its mounting hole.
- ◆ Position the arm (4) as shown.
- ◆ Fit the belt tracking knob (6) and tighten it until the arm is aligned with the tool.

### Removing

- ◆ Remove the sanding belt (if present) as described below.
- ◆ Loosen and remove the belt tracking knob (6).
- ◆ Remove the arm.



Be careful not to lose the spring (11).

## Fitting and removing sanding belts (fig. C)

### Fitting

- ◆ Move the belt tensioning lever (5) to the front position (A).
- ◆ Make sure that the arrows on the inside of the sanding belt face the same direction as the arrows (15) on the housing.
- ◆ Place the sanding belt (12) over the front pulley (13) and the rear pulley (14), sliding it through the slot in the housing.
- ◆ Move the belt tensioning lever (5) to the rear position (B).
- ◆ Adjust the belt tracking as described below.

### Removing

- ◆ Move the belt tensioning lever (5) to the front position (A).
- ◆ Slide the sanding belt (12) off the pulleys.

## Adjusting the sanding belt tracking (fig. D)

- ◆ Switch the tool on.
- ◆ Turn the belt tracking knob (6) as required until the sanding belt runs straight along the length of the arm.

## Fitting and removing the dustbag (fig. E)



Make sure to remove the dustbag before using the tool on metal workpieces.

### Fitting

- ◆ Align the dustbag (8) with the tool as shown.
- ◆ Slide the dustbag onto the tool until it clicks into place.

### Removing

- ◆ Pull the dustbag (8) to the rear and off the tool.

### USE



Let the tool work at its own pace.  
Do not overload.

## Variable speed control (fig. F)

The variable speed control allows you to adapt the speed of the tool to the workpiece material.

Use a low speed setting when using a fine grit, when working with plastics or ceramics and when removing painted or varnished surfaces. Use a high speed setting when using a coarse grit and when removing a lot of material.

- ◆ Set the control knob (7) to the desired setting.

## Switching on and off (fig. G)

- ◆ To switch the tool on, press the on/off switch (1).
- ◆ To switch the tool off, release the on/off switch.
- ◆ For continuous operation:
  - Press the on/off switch (1).
  - Press the lock-on button (2).
  - Release the on/off switch.
- ◆ To switch the tool off when in continuous operation, press and release on/off switch (1).

## Emptying the dustbag (fig. E)

The dustbag should be emptied every 10 minutes of use.

- ◆ Pull the dustbag (8) to the rear and off the tool.
- ◆ Hold the spout down and shake the dustbag to empty the contents.
- ◆ Refit the dustbag onto the tool.

If necessary, the dustbag can be removed from its frame and washed. Let it dry before refitting it.

## Special applications

### Cranked arm (fig. H)

- ◆ Use section A for grooving or sanding in the centre of workpieces and in confined areas. Use section B for curved surfaces.

### Straight arm (fig. I)

- ◆ Use the normal or narrow arm for general use, for slotting and for making joints.

### Narrow arm (fig. J)

- ◆ Use the narrow arm for finer detail, for cutting and for carving.

## Hints for optimum use

- ◆ Always hold the tool with both hands.
- ◆ Do not exert too much pressure on the tool.
- ◆ Regularly check the condition of the sanding belt. Replace when necessary.

- ◆ Always sand with the grain of the wood.
- ◆ When sanding new layers of paint before applying another layer, use extra fine grit.
- ◆ On very uneven surfaces, or when removing layers of paint, start with a coarse grit. On other surfaces, start with a medium grit. In both cases, gradually change to a fine grit for a smooth finish.
- ◆ Consult your retailer for more information on available accessories.

### MAINTENANCE

Your Black & Decker tool has been designed to operate over a long period of time with a minimum of maintenance. Continuous satisfactory operation depends upon proper tool care and regular cleaning.



Before performing any maintenance, switch off and unplug the tool.

- ◆ Regularly clean the ventilation slots in your tool using a soft brush or dry cloth.
- ◆ Regularly clean the motor housing using a damp cloth. Do not use any abrasive or solvent-based cleaner.

### PROTECTING THE ENVIRONMENT



Black & Decker provides a facility for recycling Black & Decker products once they have reached the end of their working life. This service is provided free of charge. To take advantage of this service please return your product to any authorised repair agent who will collect them on our behalf.

You can check the location of your nearest authorised repair agent by contacting your local Black & Decker office at the address indicated in this manual. Alternatively, a list of authorised Black & Decker repair agents and full details of our after-sales service and contacts are available on the Internet at: **www.2helpU.com**.

### Technical data

		KA293E	KA293G
Voltage	V <sub>AC</sub>	230	230
Power input	W	350	350
Belt speed	m/min	900 - 1,400	900 - 1,400
Weight	kg	1.6	1.6

### GUARANTEE

Black & Decker is confident of the quality of its products and offers an outstanding guarantee. This guarantee statement is in addition to and in no way prejudices your statutory rights. The guarantee is valid within the territories of the Member States of the European Union and the European Free Trade Area.

If a Black & Decker product becomes defective due to faulty materials, workmanship or lack of conformity, within 24 months from the date of purchase, Black & Decker guarantees to replace defective parts, repair products subjected to fair wear and tear or replace such products to ensure minimum inconvenience to the customer unless:

- ◆ The product has been used for trade, professional or hire purposes;
- ◆ The product has been subjected to misuse or neglect;
- ◆ The product has sustained damage through foreign objects, substances or accidents;
- ◆ Repairs have been attempted by persons other than authorised repair agents or Black & Decker service staff.

To claim on the guarantee, you will need to submit proof of purchase to the seller or an authorised repair agent. You can check the location of your nearest authorised repair agent by contacting your local Black & Decker office at the address indicated in this manual. Alternatively, a list of authorised Black & Decker repair agents and full details of our after-sales service and contacts are available on the Internet at:

**www.2helpU.com**.

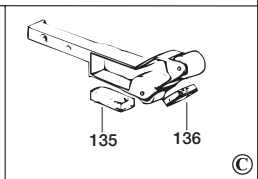
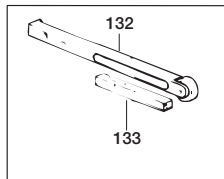
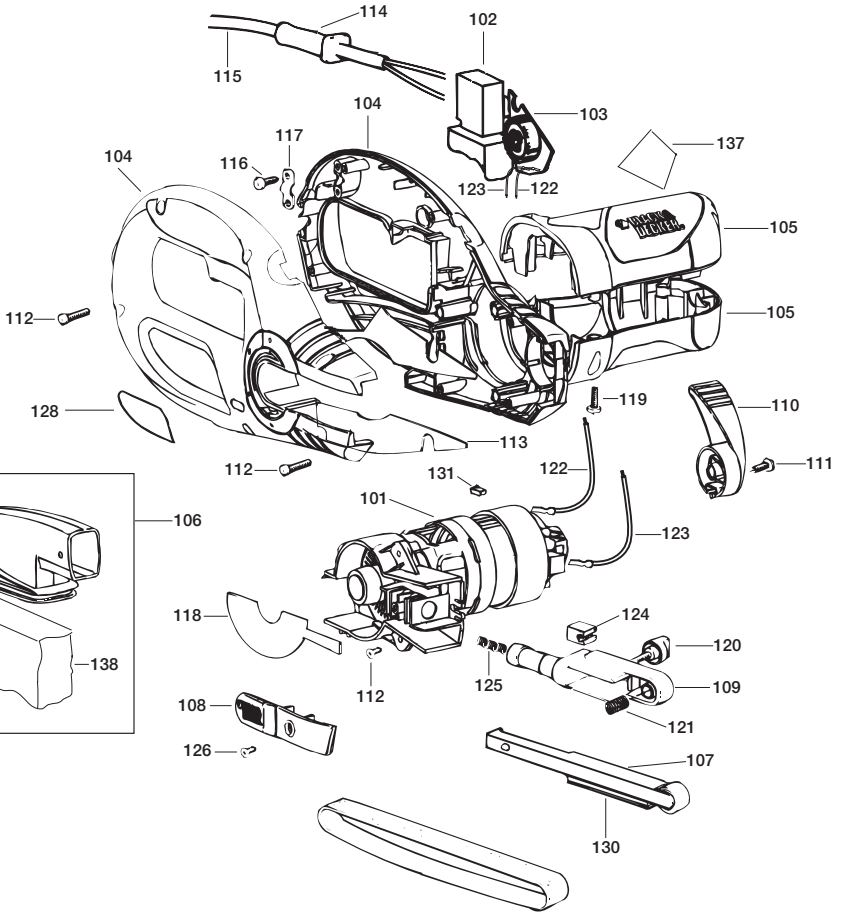
## OTHER DIY TOOLS

Black & Decker has a full range of tools that make DIY jobs easy. If you would like further information on the following products, please contact our Service and Information Centre (see the address page towards the end of this manual) or your local Black & Decker retailer.

Drills  
Cordless screwdrivers  
Cordless drills/screwdrivers  
Sanders  
Jigsaws  
Circular saws  
Mitre saws  
Angle grinders  
Planers  
Routers  
Corded and cordless multi-purpose tools  
Paint strippers  
Workbenches

We also have a wide range of accessories for the above tools.

Not all products are available in all countries.



**Australia** DeWALT Industrial Power Tool Company Tel. 03 9895 9200  
7 Clarice Road Fax 03 9899 7465  
Box Hill, Victoria 3128

---

**New Zealand** Black & Decker Tel. 09 579 7600  
81 Hugo Johnson Drive Fax 09 579 8200  
Penrose, Auckland, New Zealand

---

**South Africa** Black & Decker South Africa (Pty) Ltd Tel. (011) 653-1400  
Physical address: Fax (011) 653-1499  
39 Commerce Crescent  
Eastgate, ext. 12, Sandton, Kramerville 2148  
Postal address:  
Postnet Suite 107, Private Bag X65  
Halfway House 1685

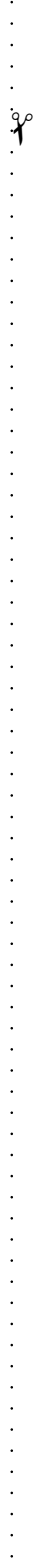
---

**United Kingdom** Black & Decker Tel. 01753 511234  
210 Bath Road Fax 01753 551155  
Slough, Berkshire SL1 3YD Helpline 01753 574277

---

Dealer address

Date of purchase



Name: .....

Address: .....

Town: .....

Postal code: .....

Was this tool a gift?

- Yes
- No

Was this tool your first purchase?

- Yes
- No

Was this tool bought as a replacement?

- Yes
- No

Dealer address: .....

- Data protection act:  
Tick the box if you prefer not to receive further information.

## GUARANTEE CARD



**Please complete this section immediately after the purchase of your tool and send it to Black & Decker in your country. If you live in Australia or New Zealand, please register by using the alternative guarantee card supplied.**