

www.blackanddecker.eu

MT300
MT280

EN

DE

FR

IT

NL

ES

PT

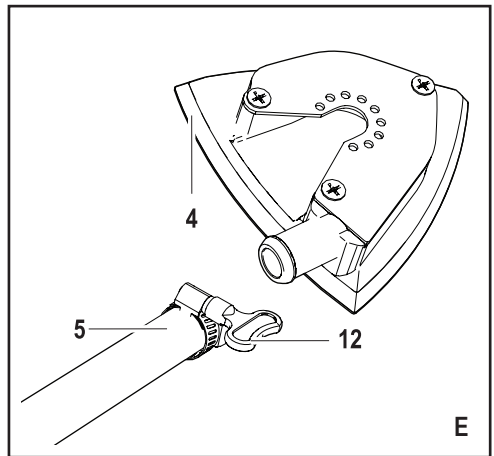
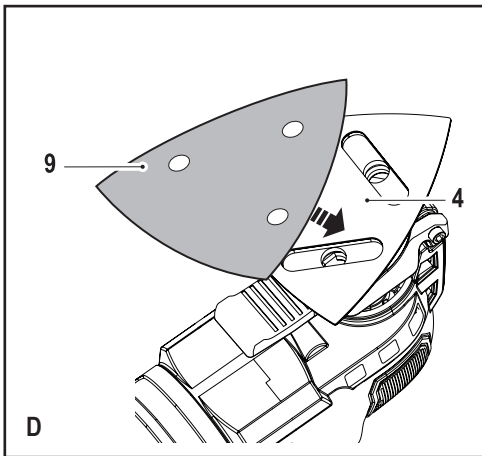
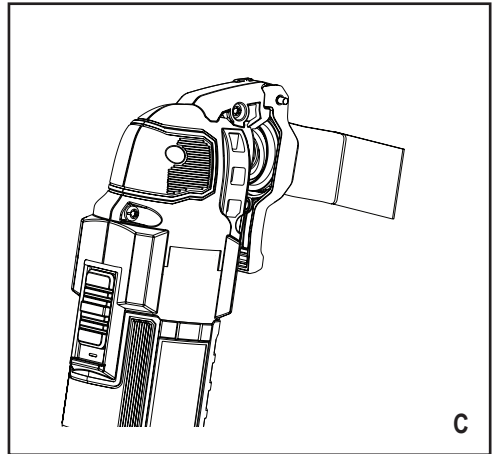
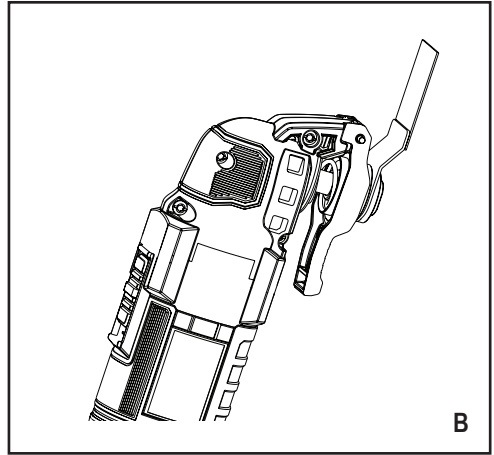
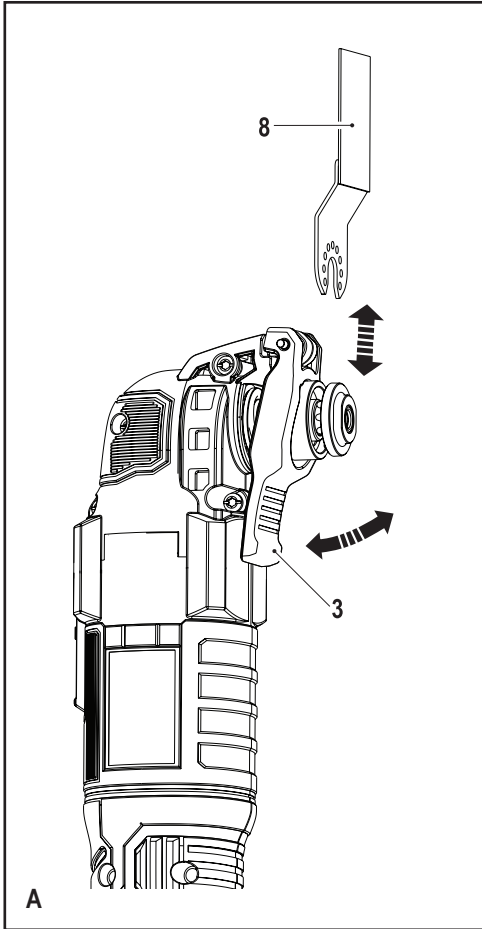
SV

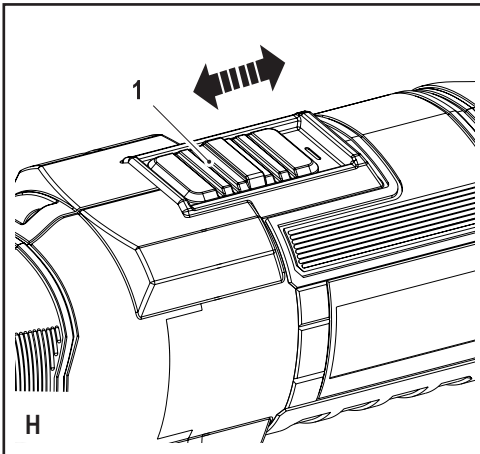
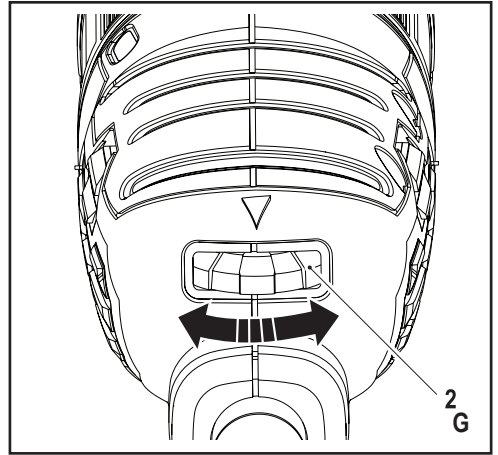
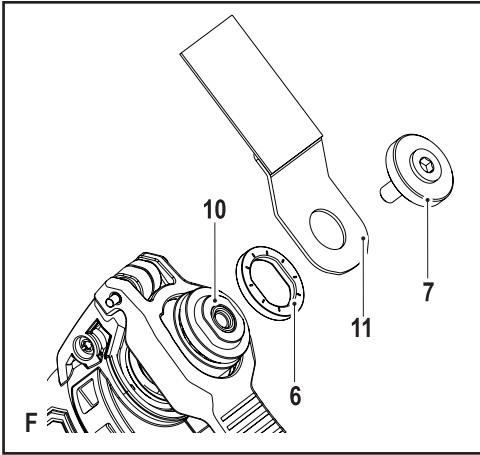
NO

DK

FI

EL





Intended use

Your BLACK+DECKER MT280, MT300 oscillating tool has been designed for DIY applications such as sanding operations. It is also suitable for cutting wooden materials, plastic, gypsum, non-ferrous metals and fastening elements (e.g., unhardened nails, staples), working soft wall tiles and scraping of small surfaces. This tool is intended for consumer use only.

Safety instructions

General power tool safety warnings



Warning! Read all safety warnings and all instructions. Failure to follow the warnings and instructions listed below may result in electric shock, fire and/or serious injury.

Save all warnings and instructions for future reference.

The term "power tool" in the warnings refers to your mains operated (corded) power tool or battery operated (cordless) power tool.

1. **Work area safety**
 - a. **Keep work area clean and well lit.** Cluttered or dark areas invite accidents.
 - b. **Do not operate power tools in explosive atmospheres, such as in the presence of flammable liquids, gases or dust.** Power tools create sparks which may ignite the dust or fumes.
 - c. **Keep children and bystanders away while operating a power tool.** Distractions can cause you to lose control.
2. **Electrical safety**
 - a. **Power tool plugs must match the outlet. Never modify the plug in any way. Do not use any adapter plugs with earthed (grounded) power tools.** Unmodified plugs and matching outlets will reduce risk of electric shock.
 - b. **Avoid body contact with earthed or grounded surfaces such as pipes, radiators, ranges and refrigerators.** There is an increased risk of electric shock if your body is earthed or grounded.
 - c. **Do not expose power tools to rain or wet conditions.** Water entering a power tool will increase the risk of electric shock.
 - d. **Do not abuse the cord. Never use the cord for carrying, pulling or unplugging the power tool. Keep cord away from heat, oil, sharp edges or moving parts.** Damaged or entangled cords increase the risk of electric shock.
 - e. **When operating a power tool outdoors, use an extension cord suitable for outdoor use.** Use of a cord suitable for outdoor use reduces the risk of electric shock.
 - f. **If operating a power tool in a damp location is unavoidable, use a residual current device (RCD) protected supply.** Use of an RCD reduces the risk of electric shock.
3. **Personal safety**
 - a. **Stay alert, watch what you are doing and use common sense when operating a power tool. Do not use a power tool while you are tired or under the influence of drugs, alcohol or medication.** A moment of inattention while operating power tools may result in serious personal injury.
 - b. **Use personal protective equipment. Always wear eye protection.** Protective equipment such as dust mask, non-skid safety shoes, hard hat, or hearing protection used for appropriate conditions will reduce personal injuries.
 - c. **Prevent unintentional starting. Ensure the switch is in the off-position before connecting to power source and/or battery pack, picking up or carrying the tool.** Carrying power tools with your finger on the switch or energising power tools that have the switch on invites accidents.
 - d. **Remove any adjusting key or wrench before turning the power tool on.** A wrench or a key left attached to a rotating part of the power tool may result in personal injury.
 - e. **Do not overreach. Keep proper footing and balance at all times.** This enables better control of the power tool in unexpected situations.
 - f. **Dress properly. Do not wear loose clothing or jewellery. Keep your hair, clothing and gloves away from moving parts.** Loose clothes, jewellery or long hair can be caught in moving parts.
 - g. **If devices are provided for the connection of dust extraction and collection facilities, ensure these are connected and properly used.** Use of dust collection can reduce dust-related hazards.
4. **Power tool use and care**
 - a. **Do not force the power tool. Use the correct power tool for your application.** The correct power tool will do the job better and safer at the rate for which it was designed.
 - b. **Do not use the power tool if the switch does not turn it on and off.** Any power tool that cannot be controlled with the switch is dangerous and must be repaired.
 - c. **Disconnect the plug from the power source and/or the battery pack from the power tool before making any adjustments, changing accessories, or storing power tools.** Such preventive safety measures reduce the risk of starting the power tool accidentally.

- d. **Store idle power tools out of the reach of children and do not allow persons unfamiliar with the power tool or these instructions to operate the power tool.** Power tools are dangerous in the hands of untrained users.
- e. **Maintain power tools. Check for misalignment or binding of moving parts, breakage of parts and any other condition that may affect the power tools operation. If damaged, have the power tool repaired before use.** Many accidents are caused by poorly maintained power tools.
- f. **Keep cutting tools sharp and clean.** Properly maintained cutting tools with sharp cutting edges are less likely to bind and are easier to control.
- g. **Use the power tool, accessories and tool bits etc. in accordance with these instructions, taking into account the working conditions and the work to be performed.** Use of the power tool for operations different from those intended could result in a hazardous situation.

5. Service

- a. **Have your power tool serviced by a qualified repair person using only identical replacement parts.** This will ensure that the safety of the power tool is maintained.



Warning! Additional safety warnings for oscillating tools

- ◆ **Hold power tool by insulated gripping surfaces when performing an operation where the cutting accessory may contact hidden wiring or its own cord.** Cutting accessory contacting a "live" wire may make exposed metal parts of the power tool "live" and could give the operator an electric shock
- ◆ **Use clamps or another practical way to secure and support the workpiece to a stable platform.** Holding the work by hand or against your body leaves it unstable and may lead to loss of control.



Warning! Contact with or inhalation of dusts arising from sanding applications may endanger the health of the operator and possible bystanders. Wear a dust mask specifically designed for protection against dust and fumes and ensure that persons within or entering the work area are also protected.

- ◆ Thoroughly remove all dust after sanding.
- ◆ Take special care when sanding paint which is possibly lead based or when sanding some woods and metal which may produce toxic dust:
 - ◆ Do not let children or pregnant women enter the work area.
 - ◆ Do not eat, drink or smoke in the work area.
 - ◆ Dispose of dust particles and any other debris safely.

- ◆ The intended use is described in this instruction manual. The use of any accessory or attachment or performance of any operation with this tool other than those recommended in this instruction manual may present a risk of personal injury and/or damage to property.
- ◆ The accessory will continue to move after releasing the switch. Always switch the tool off and wait for the accessory to come to a complete standstill before putting the tool down.
- ◆ **Keep hands away from cutting area.** Never reach underneath the work piece for any reason. Do not insert fingers or thumb into the vicinity of the reciprocating blade and blade clamp. Do not stabilize the saw by gripping the shoe.
- ◆ **Keep blades sharp.** Dull or damaged blades may cause the saw to swerve or stall under pressure. Always use the appropriate type of saw blade for the workpiece material and type of cut.
- ◆ When cutting pipe or conduit, make sure that they are free from water, electrical wiring, etc.
- ◆ Do not touch the workpiece or the blade immediately after operating the tool. They can become very hot.
- ◆ Be aware of hidden hazards, before cutting into walls, floors or ceilings, check for the location of wiring and pipes.

Safety of others

- ◆ This appliance is not intended for use by persons (including children) with reduced physical, sensory or mental capabilities, or lack of experience and knowledge, unless they have been given supervision or instruction concerning use of the appliance by a person responsible for their safety.
- ◆ Children should be supervised to ensure that they do not play with the appliance.

Residual risks.

Additional residual risks may arise when using the tool which may not be included in the enclosed safety warnings. These risks can arise from misuse, prolonged use etc.

Even with the application of the relevant safety regulations and the implementation of safety devices, certain residual risks can not be avoided. These include:

- ◆ Injuries caused by touching any rotating/moving parts.
- ◆ Injuries caused when changing any parts, blades or accessories.
- ◆ Injuries caused by prolonged use of a tool. When using any tool for prolonged periods ensure you take regular breaks.
- ◆ Impairment of hearing.
- ◆ Health hazards caused by breathing dust developed when using your tool (example:- working with wood, especially oak, beech and MDF.)

Vibration

The declared vibration emission values stated in the technical data and the declaration of conformity have been measured in accordance with a standard test method provided by EN 60745 and may be used for comparing one tool with another. The declared vibration emission value may also be used in a preliminary assessment of exposure.

Warning! The vibration emission value during actual use of the power tool can differ from the declared value depending on the ways in which the tool is used. The vibration level may increase above the level stated.

When assessing vibration exposure to determine safety measures required by 2002/44/EC to protect persons regularly using power tools in employment, an estimation of vibration exposure should consider, the actual conditions of use and the way the tool is used, including taking account of all parts of the operating cycle such as the times when the tool is switched off and when it is running idle in addition to the trigger time.

Labels on tool

The following pictograms are shown on the tool along with the date code:



Warning! To reduce the risk of injury, the user must read the instruction manual.



Warning! Always wear a dust mask when using this tool.

Electrical safety



This tool is double insulated; therefore no earth wire is required. Always check that the power supply corresponds to the voltage on the rating plate.

- ◆ If the supply cord is damaged, it must be replaced by the manufacturer or an authorised BLACK+DECKER Service Centre in order to avoid a hazard.

Features

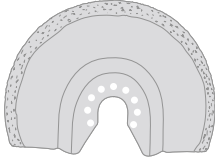
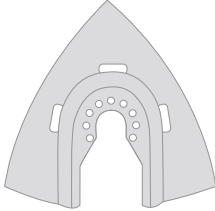
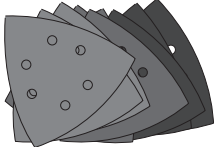
This tool includes some or all of the following features.

1. On/Off switch
2. Variable speed dial
3. Super-lok™ Tool free accessory clamping lever
4. Sanding base
5. Dust extraction adapter
6. Tooled accessory adapter (spacer)
7. Tooled accessory adapter (Fixing bolt)

Accessories

This tool includes some or all of the following accessories. The performance of your tool depends on the accessory used. BLACK+DECKER and Piranha accessories are engineered to high quality standards and designed to enhance the performance of your tool. By using these accessories you will get the very best from your tool.

	<p>Precision plunge cut saw blade for wooden materials, soft plastics. (Part number - X26105-XJ) Separating, plunge and flush cutting of wood and soft plastics. Ideal for working on doors, skirting boards, windowsills and flooring.</p>
	<p>Plunge cut saw blade for wood and metal. (Part number - X26110-XJ) Separating, plunge and flush cutting of wood, plastics, thin-walled non-ferrous pipes and extrusions, nails and screws.</p>
	<p>Plunge cut saw blade for wood and metal. (Part number - X26115-XJ) Separating, plunge and flush cutting of wood, plastics, thin-walled non-ferrous pipes and extrusions.</p>
	<p>Segmented saw blade. (Part number - X26120-XJ) Long life blade which is ideal for cutting wood, plastics, thin walled ferrous and non-ferrous material.</p>
	<p>Rigid scraper. (Part number - X26135-XJ) Ideal for removal of hard and soft material from flat surfaces such as the removal of vinyl flooring, bonded carpet adhesive, tile floor adhesive, grout, paint and varnish.</p>
	<p>Flexible scraper. (Part number - X26140-XJ) Ideal for removal of elastomer materials from hard flat surfaces in difficult to reach areas such as silicon sealant and other caulking materials.</p>

	<p>Carbide grout removal blade. (Part number - X26125-XJ) Carbide coated surface ideal for clearing grout and tile adhesive from flat surfaces and for fast stock removal of wood, chipboard and fibreglass.</p>
	<p>Carbide rasp. (Part number - X26130-XJ) Carbide coated surface ideal for grout removal and for fast stock removal of plastics, chipboard and fibreglass.</p>
	<p>Sanding Sheets. Various grades for sanding of wood, painted and varnished surfaces.</p>

- ◆ Press the sheet firmly and evenly onto the sanding base, making sure that the holes in the sheet coincide with the holes in the base.

Removing a sanding sheet

- ◆ Pull the sanding sheet off the sanding base (4).

Warning! Never use the sanding base without a sanding sheet or accessory in place.

Fitting the dust extraction adaptor (fig. E)

- ◆ Line up the dust extraction adaptor (5) with the sanding base (4) as shown.
- ◆ Press the adaptor firmly and evenly in to the sanding base.
- ◆ Secure the adaptor by turning the locking nut (12) clockwise.
- ◆ Connect a vacuum cleaner to the dust extraction adaptor.

Removing the dust extraction adaptor

- ◆ Turn the locking nut (12) anti-clockwise.
- ◆ Pull the dust extraction adaptor (5) out of the sanding base (4).

Fitting alternative accessories (fig. F)

- ◆ Place the spacer (6) onto the collar (10).
- ◆ Place the alternative accessory (11) onto the collar (10).
- ◆ Firmly attach the fixing bolt (7) into place to ensure a tight fit for the alternative accessory (11).

Note: The spacer and fixing bolt are not used to attach BLACK+DECKER accessories. Black and Decker accessories are attached using the Super-lok™ Tool free accessory clamping lever.

Use

Warning! Let the tool work at its own pace. Do not overload.

Warning! Before cutting into walls, floors or ceilings, check for the location of wiring and pipes.

Variable speed control (fig. G)

The variable speed control allows you to adapt the speed of the tool to the application.

- ◆ Set the variable speed dial (2) to the desired setting. At setting 1 the tool will operate at low speed, 10,000 min⁻¹. At setting 6 the tool will operate at the maximum speed, 22,000 min⁻¹.

Switching on and off (fig. H)

- ◆ To switch the tool on, slide the on/off switch (1) forward (position I).
- ◆ To switch the tool off, slide the on/off switch (1) to the rear (position O).

Assembly

Fitting and removing the accessories (fig. A - F)

Warning! Before fitting an accessory, disconnect the tool from the mains supply.

Fitting a BLACK+DECKER / Piranha accessory (fig. A - C)

- ◆ Hold the tool and squeeze the accessory clamping lever (3).
- ◆ Slide the accessory (8) between the shaft and the accessory holder making sure the accessory engages all eight pins on the holder and is flush with the shaft.
- ◆ Release the accessory clamping lever.

Note: Some accessories, such as scrapers and blades can be mounted at an angle if required (fig. C).

Removing a BLACK+DECKER / Piranha accessory (fig. A)

- ◆ Hold the tool and squeeze the accessory clamping lever (3).
- ◆ Pull the accessory from the tool making sure the accessory dis-engages from all eight pins on the holder.
- ◆ Release the accessory clamping lever.

Warning: Gloves must be worn when removing accessories as they may become hot during use.

Fitting a sanding sheet (fig. D)

- ◆ Line up the sanding sheet (9) with the sanding base (4) as shown.

Hints for optimum use

- ◆ Always hold the tool securely. For precision work, hold the tool near the front.
- ◆ Clamp the workpiece whenever possible, especially when using cutting blades.
- ◆ Do not exert too much pressure on the tool.
- ◆ Always use the appropriate type of attachment for the workpiece material and type of cut.
- ◆ Regularly check the condition of accessories. Replace when necessary.
- ◆ Mark the desired starting point.
- ◆ Switch the tool on and slowly feed attachments into the workpiece at the desired starting point.
- ◆ Clamp a piece of plywood or soft wood to the back of the workpiece and saw through the combination in order to obtain a clear cut.
- ◆ Do not force the cutting blade into the workpiece. Note that cutting sheet metal will normally take more time than sawing thicker wooden workpieces.
- ◆ When cutting metal spread a thin film of oil along the cutting line before cutting.
- ◆ When sanding new layers of paint before applying another layer, use extra fine grit.
- ◆ On very uneven surfaces, or when removing layers of paint, start with a coarse grit. On other surfaces, start with a medium grit. In both cases, gradually change to a fine grit for a smooth finish.
- ◆ Consult your retailer for more information on available accessories.

Maintenance

Your BLACK+DECKER corded/cordless appliance/tool has been designed to operate over a long period of time with a minimum of maintenance. Continuous satisfactory operation depends upon proper tool care and regular cleaning.

Warning! Before performing any maintenance on corded/cordless power tools:

- ◆ Switch off and unplug the appliance/tool.
- ◆ Or switch off and remove the battery from the appliance/tool if the appliance/tool has a separate battery pack.
- ◆ Or run the battery down completely if it is integral and then switch off.
- ◆ Regularly clean the ventilation slots in your appliance/tool/charger using a soft brush or dry cloth.
- ◆ Regularly clean the motor housing using a damp cloth. Do not use any abrasive or solvent-based cleaner.

Mains plug replacement (U.K. & Ireland only)

If a new mains plug needs to be fitted:

- ◆ Safely dispose of the old plug.
- ◆ Connect the brown lead to the live terminal in the new plug.

- ◆ Connect the blue lead to the neutral terminal.

Warning! No connection is to be made to the earth terminal. Follow the fitting instructions supplied with good quality plugs. Recommended fuse: 5 A.

Protecting the environment



Separate collection. This product must not be disposed of with normal household waste.

Should you find one day that your BLACK+DECKER product needs replacement, or if it is of no further use to you, do not dispose of it with household waste. Make this product available for separate collection.



Separate collection of used products and packaging allows materials to be recycled and used again. Re-use of recycled materials helps prevent environmental pollution and reduces the demand for raw materials.

Local regulations may provide for separate collection of electrical products from the household, at municipal waste sites or by the retailer when you purchase a new product.

BLACK+DECKER provides a facility for the collection and recycling of BLACK+DECKER products once they have reached the end of their working life. To take advantage of this service please return your product to any authorised repair agent who will collect them on our behalf.

You can check the location of your nearest authorised repair agent by contacting your local BLACK+DECKER office at the address indicated in this manual. Alternatively, a list of authorised BLACK+DECKER repair agents and full details of our after-sales service and contacts are available on the Internet at: www.2helpU.com

Technical data

		MT300 (Type 1)	MT280 (Type 1)
Voltage	V_{AC}	230	230
No-load speed	min^{-1}	10,000-22,000	10,000-22,000
Oscillating angle	Degrees	1.4 or 2.8	1.4 or 2.8
Power	W	300	280
Weight	kg	1.53	1.53

Level of sound pressure according to EN 60745:

Sound pressure ($L_{p(A)}$) 90 dB(A), uncertainty (K) 3 dB(A)

Sound power ($L_{w(A)}$) 101 dB(A), uncertainty (K) 3 dB(A)

Vibration total values (triax vector sum) according to EN 60745:

Cutting wood ($a_{h, CW}$) 4.5 m/s^2 , uncertainty (K) 1.5 m/s^2

Cutting metal ($a_{h, CM}$) 10.3 m/s^2 , uncertainty (K) 1.5 m/s^2

Sanding (a_h) 11.4 m/s^2 , uncertainty (K) 1.5 m/s^2

EC declaration of conformity

MACHINERY DIRECTIVE



MT300, MT280 oscillating tool

Black & Decker declares that these products described under "technical data" are in compliance with:
2006/42/EC, EN 60745-1:2009 +A11:2010,
EN 60745-2-4:2009 +A11:2011

These products also comply with Directive 2004/108/EC (until 19/04/2016) 2014/30/EU (from 20/04/2016) and 2011/65/EU. For more information, please contact Black & Decker at the following address or refer to the back of

the manual.

The undersigned is responsible for compilation of the technical file and makes this declaration on behalf of Black & Decker.

R.Laverick
Director of Engineering
Black & Decker Europe, 210 Bath Road, Slough,
Berkshire, SL1 3YD
United Kingdom
20/10/2015

Guarantee

Black & Decker is confident of the quality of its products and offers an outstanding guarantee. This guarantee statement is in addition to and in no way prejudices your statutory rights. The guarantee is valid within the territories of the Member States of the European Union and the European Free Trade Area.

If a Black & Decker product becomes defective due to faulty materials, workmanship or lack of conformity, within 24 months from the date of purchase, Black & Decker guarantees to replace defective parts, repair products subjected to fair wear and tear or replace such products to ensure minimum inconvenience to the customer unless:

- ◆ The product has been used for trade, professional or hire purposes;
- ◆ The product has been subjected to misuse or neglect;
- ◆ The product has sustained damage through foreign objects, substances or accidents;
- ◆ Repairs have been attempted by persons other than authorised repair agents or Black & Decker service staff.

To claim on the guarantee, you will need to submit proof of purchase to the seller or an authorised repair agent. You can check the location of your nearest authorised repair agent by contacting your local Black & Decker office at the address indicated in this manual. Alternatively, a list of authorised Black & Decker repair agents and full details of our after-sales service and contacts are available on the Internet at: www.2helpU.com

Please visit our website www.blackanddecker.co.uk to register your new BLACK+DECKER product and to be kept up to date on new products and special offers. Further information on the BLACK+DECKER brand and our range of products is available at www.blackanddecker.co.uk

Bestimmungsgemäße Verwendung

Das oszillierende BLACK+DECKER MT280, MT300 Multifunktionswerkzeug wurde für Heimwerkerarbeiten wie z. B. Schleifanwendungen entwickelt. Außerdem ist es zum Schneiden von Holz, Kunststoff, Gips, Buntmetallen (z. B. nicht gehärteten Nägeln, Klammern), zum Bearbeiten von Weichfaserplatten sowie zum Schaben kleiner Oberflächen geeignet. Dieses Gerät ist nicht für den gewerblichen Einsatz vorgesehen.

Sicherheitshinweise

Allgemeine Sicherheitswarnungen für das Gerät



Achtung! Lesen Sie sämtliche Sicherheitswarnungen und Anweisungen. Die Nichteinhaltung der nachstehend aufgeführten Warnungen und Anweisungen kann einen elektrischen Schlag, Brand und/oder schwere Verletzungen verursachen.

Bewahren Sie alle Sicherheitswarnungen und Anweisungen gut auf. Der Begriff "Gerät" bezieht sich auf netzbetriebene Geräte (mit Netzkabel) und auf akkubetriebene Geräte (ohne Netzkabel).

1. Sicherheit im Arbeitsbereich

- Halten Sie Ihren Arbeitsbereich sauber, und sorgen Sie für ausreichende Beleuchtung.** Unordnung oder dunkle Arbeitsbereiche können zu Unfällen führen.
- Verwenden Sie die Geräte nicht in Umgebungen, in denen Explosionsgefahr z. B. aufgrund von brennbaren Flüssigkeiten, Gasen oder Staub besteht.** Geräte erzeugen Funken, die den Staub oder die Dämpfe entzünden können.
- Halten Sie Kinder und andere Personen während der Benutzung eines Geräts fern.** Bei Ablenkung können Sie die Kontrolle verlieren.

2. Elektrische Sicherheit

- Der Netzstecker des Geräts muss in die Steckdose passen. Der Stecker darf in keiner Weise verändert werden. Verwenden Sie für geschützte Geräte keine Adapterstecker.** Unveränderte Stecker und passende Steckdosen verringern das Risiko eines elektrischen Schlags.
- Vermeiden Sie Körperkontakt mit geerdeten Oberflächen von Rohren, Heizungen, Herden und Kühlschränken.** Es besteht ein erhöhtes Risiko eines elektrischen Schlags, wenn Ihr Körper geerdet ist.
- Halten Sie Geräte von Regen und Feuchtigkeit fern.** Das Eindringen von Wasser in ein Gerät erhöht das Risiko eines elektrischen Schlags.

- Verwenden Sie das Kabel ordnungsgemäß. Verwenden Sie es niemals zum Tragen. Trennen Sie das Gerät nicht durch Ziehen am Kabel vom Netz. Halten Sie das Kabel fern von Hitze, Öl, scharfen Kanten oder sich bewegenden Teilen.** Beschädigte oder verwickelte Kabel erhöhen das Risiko eines elektrischen Schlags.
- Verwenden Sie nur für den Außenbereich zugelassene Verlängerungskabel, wenn Sie mit dem Gerät im Freien arbeiten.** Die Verwendung eines für den Außenbereich geeigneten Verlängerungskabels verringert das Risiko eines elektrischen Schlags.
- Wenn das Gerät in einer feuchten Umgebung verwendet werden muss, schließen Sie es unbedingt an eine Steckdose mit Fehlerstromschutzschalter (RCD).** Die Verwendung eines Fehlerstromschutzschalters verringert das Risiko eines elektrischen Schlags.

3. Sicherheit von Personen

- Verwenden Sie das Gerät aufmerksam und vernünftig. Benutzen Sie das Gerät nicht, wenn Sie müde sind oder unter dem Einfluss von Drogen, Alkohol oder Medikamenten stehen.** Ein Moment der Unachtsamkeit beim Gebrauch von Geräten kann zu ernsthaften Verletzungen führen.
- Verwenden Sie eine geeignete Schutzausrüstung. Tragen Sie stets eine Schutzbrille.** Schutzausrüstung wie Staubmaske, rutschfeste Sicherheitsschuhe, Schutzhelm oder Gehörschutz, je nach Art und Einsatz des Geräts, verringert das Risiko von Verletzungen.
- Vermeiden Sie eine unbeabsichtigte Inbetriebnahme. Vergewissern Sie sich, dass das Gerät ausgeschaltet ist, bevor Sie es an eine Steckdose oder einen Akku anschließen, es hochheben oder tragen.** Durch das Tragen des Geräts mit dem Finger am Schalter oder durch das Anschließen eingeschalteter Geräte werden Unfälle provoziert.
- Entfernen Sie Einstell- oder Schraubenschlüssel, bevor Sie das Gerät einschalten.** Ein Schlüssel in einem sich drehenden Teil kann zu Verletzungen führen.
- Beugen Sie sich nicht zu weit nach vorne über. Achten Sie auf einen sicheren Stand, um in jeder Arbeitsposition das Gleichgewicht zu halten.** Dadurch können Sie das Gerät in unerwarteten Situationen besser unter Kontrolle halten.
- Tragen Sie geeignete Kleidung. Tragen Sie keine weite Kleidung oder Schmuck. Halten Sie Haare, Kleidung und Handschuhe fern von sich bewegenden Teilen.** Lockere Kleidung, Schmuck oder lange Haare können von sich bewegenden Teilen erfasst werden.
- Falls Staubabsaug- und -fangvorrichtungen vorhanden sind, vergewissern Sie sich, dass diese angeschlossen sind und richtig verwendet werden.**

Das Verwenden einer Staubauffangvorrichtung verringert Gefährdungen durch Staub.

4. Gebrauch und Pflege von Geräten

- a. **Überlasten Sie das Gerät nicht. Verwenden Sie das für Ihre Arbeit passende Gerät.** Durch das Arbeiten in dem für das Gerät angegebenen Leistungsbereich erzielen Sie nicht nur optimale Ergebnisse, Sie erhöhen auch die Sicherheit.
- b. **Verwenden Sie das Gerät nicht, wenn der Ein-/Ausschalter nicht funktioniert.** Ein Gerät, das sich nicht mehr ein- oder ausschalten lässt, ist gefährlich und muss repariert werden.
- c. **Ziehen Sie den Stecker aus der Steckdose, und/oder trennen Sie das Gerät vom Akku, bevor Sie Einstellungen vornehmen, Zubehörteile wechseln oder das Gerät lagern.** Diese Vorsichtsmaßnahme verhindert den unbeabsichtigten Start des Geräts.
- d. **Bewahren Sie unbenutzte Geräte außerhalb der Reichweite von Kindern auf. Lassen Sie Geräte nicht von Personen benutzen, die damit nicht vertraut sind oder diese Anweisungen nicht gelesen haben.** Geräte sind gefährlich, wenn sie von unerfahrenen Personen benutzt werden.
- e. **Halten Sie Geräte in einem einwandfreien Zustand. Kontrollieren Sie, ob bewegliche Teile falsch ausgerichtet sind oder klemmen und ob Teile gebrochen oder so beschädigt sind, dass die Funktion des Geräts beeinträchtigt ist. Lassen Sie beschädigte Geräte vor dem Gebrauch reparieren.** Viele Unfälle haben ihre Ursache in schlecht gewarteten Geräten.
- f. **Halten Sie Schneidwerkzeuge scharf und sauber.** Sorgfältig gepflegte Schneidwerkzeuge mit scharfen Schneidkanten verklemmen sich seltener und sind leichter zu führen.
- g. **Verwenden Sie Gerät, Zubehör, Einsatz-Bits usw. entsprechend diesen Anweisungen, und berücksichtigen Sie dabei die Arbeitsbedingungen und die auszuführende Arbeit.** Der Gebrauch von Geräten für andere als die vorgesehenen Anwendungen kann zu gefährlichen Situationen führen.

5. Service

- a. **Lassen Sie das Gerät nur von qualifiziertem Fachpersonal und nur mit Originalersatzteilen reparieren.** So wird gewährleistet, dass die Sicherheit des Geräts erhalten bleibt.



Achtung! Zusätzliche Sicherheitshinweise für oszillierende Geräte

- ◆ **Halten Sie das Gerät an den isolierten Griffflächen, wenn Sie Arbeiten ausführen, bei denen das Werkzeug ein verdecktes Kabel oder das Gerätekabel berühren könnte.** Der Kontakt mit stromführenden Leitungen kann auch offen liegende Metallteile am Gerät unter Strom setzen und zu einem Stromschlag führen.
- ◆ **Fixieren Sie das Werkstück mit Zwingen oder ähnlichen Hilfsmitteln auf einer stabilen Oberfläche.** Ein Werkstück, das mit der Hand oder gegen den Körper gehalten wird, ist unzureichend befestigt und kann leicht außer Kontrolle geraten.



Achtung! Die beim Schleifen von bestimmten Materialien entstehenden Stäube können bei Berührung oder Einatmen die Gesundheit schädigen. Tragen Sie eine speziell für den Schutz vor Staub und Dämpfen vorgesehene Staubmaske, und stellen Sie sicher, dass auch andere Personen entsprechend geschützt sind, die den Arbeitsplatz betreten oder sich dort aufhalten.

- ◆ Entfernen Sie nach dem Schleifen sorgfältig alle Staubreite.
- ◆ Treffen Sie beim Schleifen von möglicherweise bleihaltiger Farbe oder von bestimmten Holz- und Metallarten, die giftigen Staub bilden können, besondere Maßnahmen:
 - ◆ Verhindern Sie, dass Kinder oder Schwangere den Arbeitsplatz betreten.
 - ◆ Essen, trinken und rauchen Sie nicht am Arbeitsplatz.
 - ◆ Entsorgen Sie Staubeilchen und andere Schleifabfälle sachgerecht.
- ◆ In dieser Anleitung ist die bestimmungsgemäße Verwendung beschrieben. Die Verwendung von Zubehör- oder Anbauteilen, die nicht in dieser Anleitung empfohlen sind, sowie die Bedienung des Geräts in Abweichung von den in dieser Anleitung beschriebenen Verfahren kann zu Verletzungen und/oder Sachschäden führen.
- ◆ **Das Zubehörteil bewegt sich auch dann noch, wenn Sie den Schalter losgelassen haben.** Schalten Sie das Gerät vor dem Ablegen stets aus, und warten Sie, bis das Zubehörteil zum Stillstand gekommen ist.
- ◆ **Halten Sie Ihre Hände von der Schneidzone fern.** Greifen Sie niemals unter das Werkstück. Bewegen Sie Ihre Finger nicht in die Nähe des sich bewegenden Sägeblattes und dessen Klemme. Versuchen Sie nicht, die Säge zu stabilisieren, indem Sie diese am Sägeschuh halten.
- ◆ **Halten Sie die Sägeblätter scharf.** Stumpfe oder beschädigte Sägeblätter können dazu führen, dass die Säge unter Druck blockiert oder ausbricht. Verwenden Sie immer ein für das jeweilige Werkstück und die Art des Schnittes geeignetes Sägeblatt.

- ◆ Achten Sie beim Sägen von Rohren oder Leitungen darauf, dass diese frei von Wasser, Stromkabeln und Ähnlichem sind.
- ◆ Berühren Sie das Werkstück oder das Sägeblatt nicht direkt nach dem Gebrauch. Beides kann sehr heiß werden.
- ◆ Achten Sie auch auf nicht sichtbare Gefahren, wenn Sie in Wände, Böden oder Decken sägen. Prüfen Sie diese Stellen auf dahinter liegende Kabel oder Rohre.

Sicherheit anderer Personen

- ◆ Dieses Gerät darf nicht von Personen (einschließlich Kindern) mit eingeschränkten körperlichen, sensorischen oder geistigen Fähigkeiten sowie mangelnder Erfahrung und Kenntnissen bedient werden, es sei denn, sie werden bei der Verwendung des Geräts von einer erfahrenen Person beaufsichtigt oder angeleitet.
- ◆ Kinder müssen beaufsichtigt werden, um sicherzustellen, dass sie nicht mit dem Gerät spielen.

Restrisiken.

Für den Gebrauch dieses Geräts verbleiben zusätzliche Restrisiken, die möglicherweise nicht in den Sicherheitswarnungen genannt werden. Diese Risiken bestehen beispielsweise bei Missbrauch oder längerem Gebrauch.

Auch bei der Einhaltung der entsprechenden Sicherheitsvorschriften und der Verwendung aller Sicherheitsgeräte bestehen weiterhin bestimmte Restrisiken. Diese werden im Folgenden aufgeführt:

- ◆ Das Berühren von sich drehenden/bewegenden Teilen kann Verletzungen zur Folge haben.
- ◆ Der Austausch von Teilen, Messern oder Zubehör kann Verletzungen zur Folge haben.
- ◆ Der längere Gebrauch eines Geräts kann Verletzungen zur Folge haben. Legen Sie bei längerem Gebrauch regelmäßige Pausen ein.
- ◆ Beeinträchtigung des Gehörs.
- ◆ Gesundheitsrisiken durch das Einatmen von Staub beim Gebrauch des Geräts (beispielsweise bei Holzarbeiten, insbesondere Eiche, Buche und Pressspan).

Vibration

Die in den Abschnitten "Technische Daten" und "EG-Konformitätserklärung" angegebenen Werte für die Vibrationsemission wurden mit einer Standard-Prüfmethode nach EN 60745 ermittelt und können zum Vergleich verschiedener Geräte herangezogen werden. Außerdem kann mit Hilfe dieses Werts die Belastung bei Verwendung des Geräts schon im Voraus eingeschätzt werden.

Achtung! Die bei Verwendung des Geräts auftretende Vibrationsemission hängt von der Art des Gerätegebrauchs ab und kann dementsprechend von dem angegebenen Wert abweichen. Gegebenenfalls kann die Vibration über dem angegebenen Wert liegen.

Für die Ermittlung der Vibrationsbelastung müssen die tatsächlichen Einsatzbedingungen und Verwendungen des Geräts während des gesamten Arbeitsgangs berücksichtigt werden, einschließlich der Zeiten, wenn das Gerät nicht verwendet oder im Leerlauf betrieben wird. Diese Werte werden benötigt, um die gemäß 2002/44/EG erforderlichen Sicherheitsmaßnahmen zum Schutz von Personen festlegen zu können.

Warnsymbole am Gerät

Am Gerät sind die folgenden Warnsymbole inkl. Datumscode angebracht:



Achtung! Lesen Sie vor Gebrauch die Anleitung. Andernfalls besteht Verletzungsgefahr.



Achtung! Tragen Sie beim Verwenden dieses Geräts stets eine Staubmaske.

Elektrische Sicherheit



Dieses Gerät ist schutzisoliert, daher ist keine Erdleitung erforderlich. Überprüfen Sie stets, ob die Netzspannung der auf dem Typenschild des Geräts angegebenen Spannung entspricht.

- ◆ Wenn das Netzkabel beschädigt ist, muss es durch den Hersteller oder eine BLACK+DECKER Vertragswerkstatt ausgetauscht werden, um eine mögliche Gefährdung zu vermeiden.

Merkmale


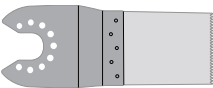
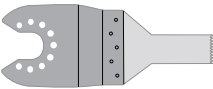
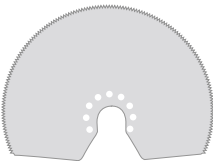
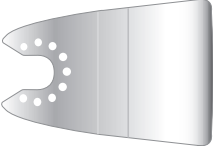

Dieses Gerät verfügt über einige oder alle der folgenden Merkmale:

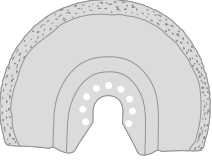
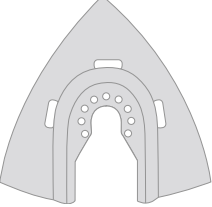
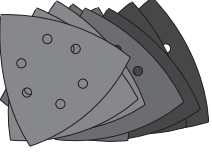
1. Ein-/Ausschalter
2. Drehzahlregler
3. Super-lok™-Klemmhebel für den werkzeugfreien Wechsel von Zubehörteilen
4. Schleifplatte
5. Staubsaugeradapter
6. Adapter für Zubehörteile, die mithilfe von Werkzeugen gewechselt werden müssen (Abstandhalter)
7. Adapter für Zubehörteile, die mithilfe von Werkzeugen gewechselt werden müssen (Befestigungsschraube)

Zubehörteile

Dieses Gerät verfügt über einige oder alle der folgenden Zubehörteile:

Das verwendete Zubehör hat wesentlichen Einfluss auf die Leistung des Geräts. Zubehörteile von BLACK+DECKER und Piranha erfüllen höchste Qualitätsstandards und wurden speziell für die Verwendung mit Ihrem Gerät entwickelt. Bei Verwendung dieses Zubehörs erhalten Sie stets optimale Ergebnisse.

	<p>Präzisions-Tauchsägeblatt für Holz und weiche Kunststoffe. (Teilenummer – X26105-XJ)</p> <p>Trennen, Tauch- und Bündigsägen von Holz sowie weichen Kunststoffen. Optimal für die Arbeit an Türen, Fußleisten, Fensterbänken und Bodenbelägen.</p>
	<p>Tauchsägeblatt für Holz und Metall. (Teilenummer – X26110-XJ)</p> <p>Trennen, Tauch- und Bündigsägen von Holz, weichen Kunststoffen, dünnen Buntmetallrohren und -profilen, Nägeln und Schrauben.</p>
	<p>Tauchsägeblatt für Holz und Metall. (Teilenummer – X26115-XJ)</p> <p>Trennen, Tauch- und Bündigsägen von Holz, Kunststoffen, dünnwandigen Buntmetallrohren und -profilen.</p>
	<p>Segmentiertes Sägeblatt. (Teilenummer – X26120-XJ)</p> <p>Langlebiges Sägeblatt zum Schneiden von Holz, Kunststoffen sowie dünnen Stahl- und Buntmetallwerkstücken.</p>
	<p>Starrer Schaber. (Teilenummer – X26135-XJ)</p> <p>Optimal zum Entfernen von harten und weichen Materialien von glatten Oberflächen, beispielsweise das Entfernen von PVC-Bodenbelägen, Teppichklebstoff, Fliesenkleber, Mörtel, Farbe und Lack.</p>
	<p>Flexibler Schaber. (Teilenummer – X26140-XJ)</p> <p>Optimal zum Entfernen von Elastomeren von harten glatten Oberflächen an schwer erreichbaren Stellen, beispielsweise Silikonichtungen oder anderen Fugendichtmassen.</p>

	<p>Karbid-Fugenfräsblatt. (Teilenummer – X26125-XJ)</p> <p>Karbidbeschichtete Oberfläche zum Entfernen von Mörtel und Fliesenkleber von glatten Oberflächen sowie einen schnellen Abtrag von Holz-, Span- und Glasfaserplatten.</p>
	<p>Karbid-Raspel. (Teilenummer – X26130-XJ)</p> <p>Karbidbeschichtete Oberfläche zum Entfernen von Mörtel sowie einen schnellen Abtrag von Kunststoff-, Span- und Glasfaserplatten.</p>
	<p>Schleifblätter.</p> <p>Unterschiedliche Körnungen zum Schleifen von Holz sowie gestrichenen und lackierten Oberflächen.</p>

Montage

Anbringen und Entfernen von Zubehörteilen (Abb. A – F)

Achtung! Ziehen Sie den Netzstecker aus der Steckdose, bevor Sie ein Zubehörteil anbringen.

Anbringen eines Zubehörteils von BLACK+DECKER/ Piranha (Abb. A – C)

- ◆ Halten Sie das Gerät fest, und drücken Sie den Klemmhebel für Zubehörteile (3).
- ◆ Schieben Sie das Zubehörteil (8) zwischen die Spindel und die Zubehöralterung. Stellen Sie dabei sicher, dass alle acht Stifte der Halterung einrasten und die Halterung bündig an der Spindel sitzt.
- ◆ Lassen Sie den Zubehörklemmhebel los.

Hinweis: Einige Zubehörteile wie Schaber und Messer können ggf. winklig angebracht werden (Abb. C).

Entfernen eines Zubehörteils von BLACK+DECKER/ Piranha (Abb. A)

- ◆ Halten Sie das Gerät fest, und drücken Sie den Klemmhebel für Zubehörteile (3).
- ◆ Ziehen Sie das Zubehörteil vom Gerät ab. Stellen Sie dabei sicher, dass alle acht Stifte der Halterung gelöst werden.
- ◆ Lassen Sie den Zubehörklemmhebel los.

Achtung: Tragen Sie beim Entfernen von Zubehörteilen Handschuhe, da Zubehörteile beim Gebrauch heiß werden können.

Anbringen eines Schleifblatts (Abb. D)

- ◆ Richten Sie das Schleifblatt (9) wie dargestellt an der Schleifplatte (4) aus.
- ◆ Drücken Sie das Schleifblatt fest und gleichmäßig auf die Schleifplatte. Achten Sie dabei darauf, dass die Löcher im Schleifblatt mit den Löchern in der Schleifplatte fluchten.

Entfernen eines Schleifblatts

- ◆ Ziehen Sie das Schleifblatt von der Schleifplatte (4) ab.

Achtung! Verwenden Sie die Schleifplatte nur mit einem Schleifblatt oder anderem Zubehör.

Anbringen des Staubsaugeradapters (Abb. E)

- ◆ Richten Sie den Staubsaugeradapter (5) wie dargestellt an der Schleifplatte (4) aus.
- ◆ Drücken Sie den Adapter fest und gleichmäßig auf die Schleifplatte.
- ◆ Befestigen Sie den Adapter, indem Sie die Sicherungsmutter (12) im Uhrzeigersinn drehen.
- ◆ Schließen Sie einen Staubsauger am Staubsaugeradapter an.

Entfernen des Staubsaugeradapters

- ◆ Drehen Sie die die Sicherungsmutter (12) gegen den Uhrzeigersinn.
- ◆ Ziehen Sie den Staubsaugeradapter (5) von der Schleifplatte (4) ab.

Anbringen alternativer Zubehörteile (Abb. F)

- ◆ Setzen Sie den Abstandhalter (6) auf die Zubehöraufnahme (10).
- ◆ Setzen Sie das alternative Zubehörteil (11) auf die Zubehöraufnahme (10).
- ◆ Bringen Sie die Befestigungsschraube (7) an, und ziehen Sie diese fest, um sicherzustellen, dass das alternative Zubehörteil (11) ordnungsgemäß gehalten wird.

Hinweis: Der Abstandhalter und die Befestigungsschraube werden für Zubehörteile von BLACK+DECKER nicht benötigt. Zubehörteile von BLACK+DECKER werden mithilfe des Super-lok™-Klemmhels für den werkzeugfreien Wechsel von Zubehörteilen angebracht.

Verwendung

Achtung! Beschleunigen Sie den Arbeitsvorgang nicht mit Gewalt. Vermeiden Sie eine Überlastung des Geräts.

Achtung! Prüfen Sie vor dem Schneiden in Wände, Fußböden oder Decken diese Stellen auf dahinter liegende Kabel oder Rohre.

Drehzahlregler (Abb. G)

Mit dem Drehzahlregler können Sie die Geschwindigkeit des Geräts je nach Anwendung einstellen.

- ◆ Stellen Sie den Drehzahlregler (2) auf die gewünschte Stellung. In der Stellung 1 arbeitet das Gerät mit niedriger Drehzahl: 10.000 min⁻¹. In der Stellung 6 arbeitet das Gerät mit maximaler Drehzahl: 22.000 min⁻¹.

Ein- und Ausschalten (Abb. H)

- ◆ Bewegen Sie den Ein-/Ausschalter (1) nach vorne in die Stellung I, um das Gerät einzuschalten.
- ◆ Schieben Sie den Ein-/Ausschalter (1) nach hinten in Stellung O, um das Gerät auszuschalten.

Hinweise für optimale Arbeitsergebnisse

- ◆ Halten Sie das Gerät stets sicher fest. Halten Sie das Gerät bei Feinarbeiten nahe der Vorderseite.
- ◆ Klemmen Sie das Werkstück möglichst fest, besonders bei der Verwendung von Schneidmessern.
- ◆ Üben Sie keinen zu großen Druck auf das Gerät aus.
- ◆ Verwenden Sie immer ein für das jeweilige Werkstück und die Art des Schnittes geeignetes Zubehörteil.
- ◆ Überprüfen Sie regelmäßig den Zustand von Zubehörteilen. Tauschen Sie diese bei Bedarf aus.
- ◆ Markieren Sie den gewünschten Startpunkt.
- ◆ Schalten Sie das Gerät ein, beginnen Sie vorsichtig am gewünschten Startpunkt mit der Bearbeitung des Werkstücks.
- ◆ Klemmen Sie ein Stück Sperrholz oder ein anderes weiches Holz unter das Werkstück und Durchtrennen Sie beide Teil, um eine glatte Schnittfläche zu erzielen.
- ◆ Beschleunigen Sie den Arbeitsvorgang nicht mit Gewalt. Beachten Sie, dass das Durchtrennen von Blech in der Regel länger dauert als das Durchtrennen dickerer Werkstücke aus Holz.
- ◆ Bestreichen Sie die Schnittlinie beim Durchtrennen von Metall dünn mit Öl.
- ◆ Zum Schleifen frischer Farbschichten vor dem Auftragen weiterer Schichten verwenden Sie sehr feines Schleifpapier.
- ◆ Auf sehr unebenen Oberflächen sowie zum Entfernen alter Farbschichten verwenden Sie zunächst grobes Schleifpapier. Auf anderen Oberflächen verwenden Sie zunächst mittelgrobes Schleifpapier. In beiden Fällen wechseln Sie nach einiger Zeit zu feinem Schleifpapier, damit Sie eine glatte Oberfläche erhalten.
- ◆ Weitere Informationen über Zubehör erhalten Sie bei Ihrem Händler.

Wartung

Ihr BLACK+DECKER Gerät (mit und ohne Netzkabel) wurde im Hinblick auf eine lange Lebensdauer und einen möglichst geringen Wartungsaufwand entwickelt.

Ein dauerhafter, einwandfreier Betrieb setzt eine regelmäßige Pflege und Reinigung voraus.

Achtung! Vor dem Ausführen jeglicher Wartungsarbeiten an Geräten mit und ohne Netzkabel:

- ◆ Schalten Sie das Gerät aus, und ziehen Sie den Netzstecker.
- ◆ Wenn das Gerät über einen separaten Batteriepack oder Akku verfügt, schalten Sie das Gerät ab, und entnehmen Sie die Batterien aus dem Gerät.
- ◆ Wenn der Akku integriert ist, entladen Sie diesen vor dem Abschalten vollständig.
- ◆ Reinigen Sie regelmäßig die Lüftungsschlitze des Geräts und des Ladegeräts mit einer weichen Bürste oder einem trockenen Tuch.
- ◆ Reinigen Sie das Motorgehäuse regelmäßig mit einem feuchten Tuch. Verwenden Sie keine scheuernden Reinigungsmittel oder Reinigungsmittel auf Lösungsmittelbasis.

Austauschen des Netzsteckers (nur Großbritannien und Irland)

Gehen Sie folgendermaßen vor, wenn ein neuer Netzstecker angebracht werden muss:

- ◆ Entsorgen Sie den alten Stecker auf sachgerechte Weise.
- ◆ Verbinden Sie die braune Leitung mit dem spannungsführenden Anschluss des Steckers.
- ◆ Verbinden Sie die blaue Leitung mit dem neutralen Anschluss.

Achtung! Der Erdleiter wird nicht angeschlossen. Befolgen Sie die Anleitungen, die dem Stecker beiliegen. Empfohlene Sicherung: 5 A.

Umweltschutz



Getrennte Entsorgung. Dieses Produkt darf keinesfalls mit dem Hausmüll entsorgt werden.

Sollten Sie Ihr BLACK+DECKER Produkt eines Tages ersetzen oder nicht mehr benötigen, entsorgen Sie es nicht mit dem Hausmüll. Führen Sie das Produkt einer getrennten Sammlung zu.



Durch die getrennte Sammlung von ausgedienten Produkten und Verpackungsmaterialien können Rohstoffe recycelt und wiederverwendet werden. Die Wiederverwendung aufbereiteter Materialien trägt zur Vermeidung der Umweltverschmutzung bei und senkt den Rohstoffbedarf.

Die Verordnung zur Abfallentsorgung Ihrer Gemeinde sieht möglicherweise vor, dass Elektrogeräte getrennt vom Hausmüll gesammelt, an der örtlichen Abfallentsorgungseinrichtung abgegeben oder beim Kauf eines neuen Produkts vom Fachhandel zur Entsorgung angenommen werden müssen.

BLACK+DECKER nimmt Ihre ausgedienten BLACK+DECKER Geräte gern zurück und sorgt für eine umweltfreundliche Entsorgung bzw. Wiederverwertung. Um diese Dienstleistung in Anspruch zu nehmen, geben Sie das Gerät bitte bei einer autorisierten Reparaturwerkstatt ab, die für uns die Einsammlung übernimmt.

Die Adresse der zuständigen Niederlassung von BLACK+DECKER steht in dieser Anleitung. Dort teilt man Ihnen gerne die nächstgelegene Vertragswerkstatt mit. Eine Liste der Vertragswerkstätten und aller Kundendienststellen von BLACK+DECKER sowie der zuständigen Ansprechpartner finden Sie auch im Internet unter: www.2helpU.com

Technische Daten

		MT300 (Typ 1)	MT280 (Typ 1)
Spannung	V_{AC}	230	230
Leerlaufdrehzahl	min^{-1}	10,000-22,000	10,000-22,000
Oszillationswinkel	Grad	1,4 oder 2,8	1,4 oder 2,8
Leistung	W	300	280
Gewicht	kg	1.53	1.53

Schalldruckpegel gemäß EN 60745:

Schalldruck (L_{pA}) 90 dB(A), Unsicherheitsfaktor (K) 3 dB(A)

Schalleistung (L_{WA}) 101 dB(A), Unsicherheitsfaktor (K) 3 dB(A)

Gesamtvibration (Triax-Vektorsumme) gemäß EN 60745:

Holzschneiden ($a_{h,CW}$) 4.5 m/s^2 , Unsicherheitsfaktor (K) 1.5 m/s^2

Metallschneiden ($a_{h,CM}$) 10.3 m/s^2 , Unsicherheitsfaktor (K) 1.5 m/s^2

Schleifen (a_h) 11.4 m/s^2 , Unsicherheitsfaktor (K) 1.5 m/s^2

EG-Konformitätserklärung

MASCHINENRICHTLINIE



MT300, MT280 Oszillierende multifunktionswerkzeug

Black & Decker erklärt, dass diese unter "Technische Daten" beschriebenen Geräte übereinstimmen mit:

2006/42/EC, EN 60745-1:2009 +A11:2010,

EN 60745-2-4:2009 +A11:2011

Diese Produkte entsprechen außerdem den Richtlinien 2004/108/EG (bis 19.4.2016), 2014/30/EU (ab 20.4.2016) und 2011/65/EU. Weitere Informationen erhalten Sie von Black & Decker unter der folgenden Adresse. Diese befindet sich auch auf der Rückseite dieser Anleitung.

Der Unterzeichnete ist verantwortlich für die Zusammenstellung der technischen Daten und gibt diese Erklärung im Namen von Black & Decker ab.

R.Laverick

Director of Engineering

Black & Decker Europe, 210 Bath Road, Slough,

Berkshire, SL1 3YD

Großbritannien

20/10/2015

Garantie

Black & Decker vertraut auf die Qualität der eigenen Geräte und bietet dem Käufer eine außergewöhnliche Garantie. Diese Garantiezusage versteht sich unbeschadet der gesetzlichen Gewährleistungsansprüche und schränkt diese keinesfalls ein. Sie gilt in sämtlichen Mitgliedstaaten der Europäischen Union und der Europäischen Freihandelszone EFTA.

Tritt innerhalb von 24 Monaten ab Kaufdatum an einem Gerät von Black & Decker ein auf Material- oder Verarbeitungsfehler zurückzuführender Mangel auf, garantiert Black & Decker den Austausch defekter Teile, die Reparatur von Geräten mit üblichem Verschleiß bzw. den Austausch eines mangelhaften Gerätes, ohne den Kunden dabei mehr als unbedingt nötig in Anspruch zu nehmen, allerdings vorbehaltlich folgender Ausnahmen:

- ◆ wenn das Gerät gewerblich, beruflich oder im Verleihgeschäft benutzt wurde;
- ◆ wenn das Gerät missbräuchlich verwendet oder mit mangelnder Sorgfalt behandelt wurde;
- ◆ wenn das Gerät durch irgendwelche Fremdeinwirkung beschädigt wurde;
- ◆ wenn ein unbefugter Reparaturversuch durch anderes Personal als das einer Vertragswerkstatt oder des Black & Decker Kundendienstes unternommen wurde.

Zur Inanspruchnahme dieser Garantie ist dem Verkäufer bzw. der Vertragswerkstatt ein Kaufnachweis vorzulegen. Die Adresse der zuständigen Niederlassung von Black & Decker steht in dieser Anleitung. Dort teilt man Ihnen gerne die nächstgelegene Vertragswerkstatt mit. Eine Liste der Vertragswerkstätten und aller Kundendienststellen von Black & Decker sowie der zuständigen Ansprechpartner finden Sie auch im Internet unter: www.2helpU.com

Bitte besuchen Sie unsere Website www.blackanddecker.de, um Ihr neues BLACK+DECKER Produkt zu registrieren. Dort erhalten Sie auch Informationen über neue Produkte und Sonderangebote. Weitere Informationen über die Marke BLACK+DECKER und unsere Produkte finden Sie unter www.blackanddecker.de.

Utilisation

Votre scie-peceuse à mouvement alternatif BLACK+DECKER MT280, MT300 est conçue pour les activités de bricolage, comme le ponçage. Elle convient aussi pour couper des objets en bois, en plastic, plâtre, métaux non-ferreux et éléments de fixation (ex. clous en acier non trempé, agrafes), pour travailler sur du carrelage mural et pour gratter de petites surfaces. Cet outil est destiné à une utilisation exclusivement domestique.

Consignes de sécurité

Consignes de sécurité concernant les outils électroportatifs



Attention ! Lisez avec attention tous les avertissements et toutes les instructions. Le non-respect de cette consigne peut entraîner une électrocution, un incendie et/ou de graves blessures.

Conservez tous les avertissements et instructions pour référence ultérieure. La notion « d'outil électroportatif » mentionnée dans les consignes de sécurité se rapporte à des outils électriques raccordés au secteur (avec câble de raccordement) ou fonctionnant sur piles ou batterie (sans fil).

1. Sécurité de la zone de travail

- a. **Maintenez la zone de travail propre et bien éclairée.**
Un lieu de travail en désordre ou mal éclairé augmente le risque d'accidents.
- b. **N'utilisez pas les outils électroportatifs dans un environnement présentant des risques d'explosion ni en présence de liquides, gaz ou poussières inflammables.** Les outils électroportatifs génèrent des étincelles risquant d'enflammer les poussières ou les vapeurs.
- c. **Tenez les enfants et autres personnes éloignés durant l'utilisation de l'outil électroportatif.** En cas d'inattention, vous risquez de perdre le contrôle de l'outil.

2. Sécurité électrique

- a. **La prise de l'outil électroportatif doit être compatible avec la prise d'alimentation. Ne modifiez en aucun cas la prise. N'utilisez pas de prises d'adaptateur avec des appareils ayant une prise de terre.** Le respect de ces consignes réduit le risque de choc électrique.
- b. **Évitez le contact physique avec des surfaces mises à la terre telles que tuyaux, radiateurs, fours et réfrigérateurs.** Le risque de choc électrique augmente si votre corps est relié à la terre.
- c. **N'exposez pas l'outil électroportatif à la pluie ou à l'humidité.**

La pénétration d'eau dans un outil électroportatif augmente le risque de choc électrique.

- d. **Préservez le câble d'alimentation. N'utilisez pas le câble pour porter l'outil, pour l'accrocher. Ne le tirez pas pour le débrancher. Maintenez le câble éloigné des sources de chaleurs, des parties huilées, des bords tranchants ou des parties de l'appareil en rotation.** Le risque de choc électrique augmente si les câbles sont endommagés ou emmêlés.
 - e. **Si vous utilisez l'outil électroportatif à l'extérieur, utilisez une rallonge homologuée pour une utilisation à l'extérieur.** L'utilisation d'une rallonge électrique homologuée pour les travaux à l'extérieur réduit le risque de choc électrique.
 - f. **Si l'outil doit être utilisé dans un endroit humide, prenez les précautions nécessaires en utilisant un dispositif à courant résiduel (RCD).** L'utilisation d'un tel dispositif réduit les risques d'électrocution.
- ### 3. Sécurité personnelle
- a. **Restez vigilant, surveillez ce que vous faites. Faites preuve de bon sens quand vous utilisez un outil électroportatif. N'utilisez pas l'outil lorsque vous êtes fatigué ou après avoir consommé de l'alcool ainsi que des médicaments.** Un moment d'inattention en utilisant l'outil peut entraîner de graves blessures.
 - b. **Portez un équipement de protection. Portez toujours des lunettes de protection.** Selon le travail à effectuer, le port d'équipement de protection tels que masque anti-poussières, chaussures de sécurité antidérapantes, casque ou protection auditive, réduit le risque de blessures.
 - c. **Évitez un démarrage imprévu. L'appareil doit être en position OFF (arrêt) avant d'effectuer le branchement à l'alimentation et/ou au bloc-batterie, de le ramasser ou de le porter.** Ne laissez pas votre doigt sur le bouton de commande en le transportant. N'alimentez pas l'outil si le bouton est activé. Ceci pourrait être à l'origine d'accident.
 - d. **Enlevez tout outil ou clé de réglage avant de mettre l'appareil en marche.** Une clé ou un outil se trouvant sur une partie en rotation peut causer des blessures.
 - e. **Adoptez une position confortable. Adoptez une position stable et gardez votre équilibre en permanence.** Vous contrôlerez ainsi mieux l'outil dans des situations inattendues.
 - f. **Portez des vêtements appropriés. Ne portez pas de vêtements amples ou de bijoux. N'approchez pas les cheveux, vêtements ou gants des parties des pièces mobiles.** Les vêtements amples, les bijoux ou les cheveux longs peuvent s'accrocher dans les pièces en mouvement.

g. En cas d'utilisation d'appareils servant à aspirer ou à recueillir les poussières, assurez-vous qu'ils sont correctement raccordés et utilisés. L'utilisation de tels dispositifs réduit les dangers dus aux poussières.

4. Utilisation des outils électroportatifs et précautions

a. Respectez la capacité de l'outil. Utilisez l'outil électroportatif approprié pour le travail à effectuer.

Avec un outil approprié, vous travaillerez mieux et en toute sécurité.

b. N'utilisez pas un outil électroportatif dont l'interrupteur est défectueux. Un outil électroportatif qui ne répond pas à la commande marche/arrêt est dangereux et doit être réparé.

c. Retirez la prise de courant et/ou débranchez le bloc-batterie avant d'effectuer des réglages, de changer les accessoires ou de ranger l'outil. Cette mesure de précaution empêche de mettre l'outil en marche accidentellement.

d. Rangez les outils électroportatifs hors de portée des enfants. Les personnes ne connaissant pas l'outil ou n'ayant pas lu ces instructions ne doivent en aucun cas l'utiliser. Les outils électroportatifs sont dangereux lorsqu'ils sont utilisés par des personnes non initiées.

e. Entretenez les outils électroportatifs. Vérifiez que les parties en mouvement fonctionnent correctement et qu'elles ne sont pas coincées. Vérifiez qu'il n'y a pas de pièces cassées ou endommagées susceptibles de nuire au bon fonctionnement de l'outil. S'il est endommagé, faites réparer l'outil avant de l'utiliser.

De nombreux accidents sont la conséquence d'outils mal entretenus.

f. Maintenez les outils de coupe aiguisés et propres. Des outils soigneusement entretenus avec des bords tranchants bien aiguisés se coincent moins souvent et peuvent être guidés plus facilement.

g. Utilisez les outils électroportatifs, les accessoires, etc., en suivant ces instructions et en tenant compte des conditions de travail, ainsi que du travail à effectuer. L'utilisation des outils électroportatifs à d'autres fins que celles prévues peut vous mettre en situation dangereuse.

5. Réparations

a. Faites réparer votre outil électroportatif uniquement par du personnel qualifié et seulement avec des pièces de rechange appropriées. Cela garantira le maintien de la sécurité de votre outil.

◆ Tenez l'outil au niveau des surfaces de prise isolées. Ceci permet d'éviter les accidents en cas de contact de l'accessoire de coupe avec des fils cachés ou son propre câble. En touchant un fil sous tension, la charge électrique passe dans les parties métalliques de l'outil électroportatif et il y a risque de choc électrique.

◆ Utilisez des pinces ou autres pour fixer et soutenir la pièce de manière stable. Si vous la tenez à la main ou contre votre corps, elle ne sera pas stable et vous pouvez en perdre le contrôle.



Attention ! Tout contact ou inhalation de poussières pendant le ponçage peut présenter un danger pour la santé de l'utilisateur ainsi que des personnes autour. Portez un masque antipoussière spécialement conçu pour vous protéger des sciures et des fumées toxiques et veillez à ce que les personnes se trouvant à l'intérieur de la zone de travail ou y pénétrant soient également protégées.

◆ Enlevez soigneusement toute poussière après le ponçage.

◆ Faites spécialement attention lorsque vous ponchez de la peinture pouvant être à base de plomb ou lorsque vous ponchez des bois et des métaux pouvant produire de la poussière toxique :

◆ Ne laissez pas les enfants ou les femmes enceintes entrer dans la zone de travail.

◆ Ne mangez pas, ne buvez pas ou ne fumez pas dans la zone de travail.

◆ Nettoyez l'outil de toutes particules de poussière et autres débris.

◆ Les consignes d'utilisation sont données dans ce manuel d'instructions. L'utilisation d'un accessoire ou d'une fixation, ou bien l'utilisation de cet outil à d'autres fins que celles recommandées dans ce manuel d'instructions peut entraîner des blessures et/ou des dommages matériels.

◆ Le va-et-vient de l'accessoire continue après avoir relâché le bouton. Après avoir arrêté l'outil, attendez que l'accessoire se stabilise complètement avant de poser l'outil.

◆ Éloignez vos mains des zones de découpe. Ne cherchez jamais à atteindre la pièce par dessous. Ne passez pas vos doigts ou pouces à proximité de la fixation de la lame et de la lame en mouvement. Ne cherchez pas à stabiliser la scie en attrapant la semelle.

◆ Maintenez les lames aiguisées. Les lames émoussées ou endommagées peuvent faire déraiper ou bloquer la scie pendant le fonctionnement. Utilisez toujours le type approprié de lame correspondant au matériau de la pièce à couper.

◆ Avant de couper un tuyau ou une conduite, assurez-vous qu'il n'y a ni eau, ni fil électrique, etc. autour.



Attention ! Consignes de sécurité supplémentaires concernant les scies-ponceuses à mouvement alternatif

- ◆ Ne touchez pas la pièce ou la lame immédiatement après avoir utilisé l'outil. Elles peuvent être très chaudes.
- ◆ Prenez garde aux dangers cachés. Avant de couper des murs, des planchers ou des plafonds, vérifiez l'emplacement des câblages et tuyaux.

Sécurité des personnes

- ◆ Cet appareil ne doit pas être utilisé par des personnes (y compris les enfants) ayant des déficiences physiques, mentales ou sensorielles. Cette consigne s'applique aussi aux personnes manquant d'expérience et de connaissance du matériel, à moins que celles-ci n'aient reçu les instructions appropriées ou qu'elles ne soient encadrées par une personne responsable de leur sécurité pour utiliser l'appareil.
- ◆ Ne laissez jamais les enfants sans surveillance pour éviter qu'ils ne jouent avec cet outil.

Risques résiduels.

L'utilisation d'un outil non mentionné dans les consignes de sécurité données peut entraîner des risques résiduels supplémentaires. Ces risques peuvent survenir si l'outil est mal utilisé, si l'utilisation est prolongée, etc.

Malgré l'application des normes de sécurité correspondantes et la présence de dispositifs de sécurité, les risques résiduels suivants ne peuvent être évités. Ceci comprend :

- ◆ Les blessures dues au contact avec une pièce mobile/en rotation.
- ◆ Les blessures causées en changeant des pièces, lames ou accessoires.
- ◆ Les blessures dues à l'utilisation prolongée d'un outil. Une utilisation prolongée de l'outil nécessite des pauses régulières.
- ◆ Déficience auditive.
- ◆ Risques pour la santé causés par l'inhalation de poussières produites pendant l'utilisation de l'outil (exemple : travail avec du bois, surtout le chêne, le hêtre et les panneaux en MDF).

Vibration

La valeur des émissions de vibration déclarée dans la section Déclaration/Données techniques de conformité a été mesurée selon une méthode d'essai standard fournie par la norme EN 60745 et peut être utilisée pour comparer un outil à un autre. Elle peut aussi être utilisée pour une évaluation préliminaire à l'exposition.

Attention ! Selon la manière dont l'outil est utilisé, la valeur des émissions de vibration pendant l'utilisation de l'outil peut être différente de la valeur déclarée. Le niveau de vibration peut augmenter au-dessus du niveau établi.

Quand l'exposition aux vibrations est évaluée afin de déterminer les mesures de sécurité requises par la norme 2002/44/CE pour protéger les personnes utilisant régulièrement des outils électroportatifs, il faut tenir compte d'une estimation de l'exposition aux vibrations, des conditions actuelles d'utilisation et de la manière dont l'outil est utilisé. Il faut aussi tenir compte de toutes les pièces du cycle de fonctionnement comme la durée pendant laquelle l'outil est arrêté et quand il fonctionne au ralenti, ainsi que la durée du déclenchement.

Étiquettes de l'outil

Outre le code de date, les symboles suivants sont apposés sur l'outil :



Attention ! Pour réduire le risque de blessures, l'utilisateur doit lire le manuel d'instructions.



Attention ! Portez toujours un masque anti-poussières lorsque vous utilisez cet outil.

Sécurité électrique



Cet outil est doublement isolé. Par conséquent, aucun câble de mise à la terre n'est nécessaire. Vérifiez si l'alimentation mentionnée sur la plaque signalétique de l'outil correspond bien à la tension présente sur le lieu.

- ◆ Si le câble d'alimentation est endommagé, il doit être remplacé par le fabricant ou par un Centre de réparation BLACK+DECKER agréé pour éviter tout danger.


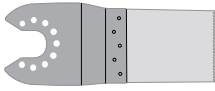
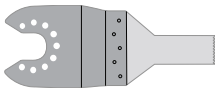

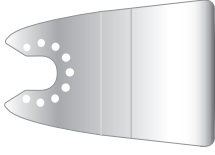

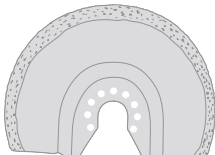
Caractéristiques

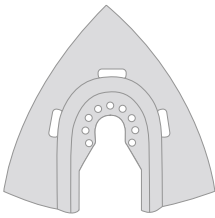
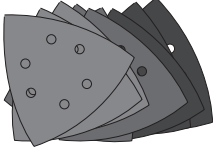
Cet outil comprend certains ou tous les éléments suivants.

1. Bouton marche/arrêt (On/Off)
2. Sélecteur de vitesses
3. Levier de serrage des accessoires Super-lok™
4. Plateau de ponçage
5. Adaptateur de dépoussiérage
6. Adaptateur d'accessoire (bague d'espacement)
7. Adaptateur d'accessoire (boulon de fixation)

Accessoires

Cet outil comprend certains ou tous les accessoires suivants. La qualité de travail réalisé par votre outil dépend des accessoires utilisés. Les accessoires BLACK+DECKER et Piranha correspondent aux normes de qualité supérieure et sont conçus pour donner le meilleur résultat possible. En utilisant ces accessoires, votre outil vous donnera entière satisfaction.

	<p>Lame de coupe en plongée et de précision pour objets en bois, en plastic tendre. (Réf. - X26105-XJ)</p> <p>Extraction, coupe de précision et en plongée de bois et de plastic tendre. Idéale pour le travail sur les portes, les plinthes, les rebords de fenêtre et les planchers.</p>
	<p>Lame de coupe en plongée pour le bois et le métal. (Réf. - X26110-XJ)</p> <p>Extraction, coupe de précision et en plongée de bois, de plastic, de tuyaux non ferreux à fine paroi et d'extrusions, de clous et de vis.</p>
	<p>Lame de coupe en plongée pour le bois et le métal. (Réf. - X26115-XJ)</p> <p>Extraction, coupe de précision et en plongée de bois, de plastic, de tuyaux non ferreux à fine paroi et d'extrusions.</p>
	<p>Lame de scie partielle. (Réf. - X26120-XJ)</p> <p>Lame longue durée, idéale pour la coupe de bois, de plastic, de matériaux non ferreux et ferreux à fine paroi.</p>
	<p>Grattoir rigide. (Réf. - X26135-XJ)</p> <p>Idéal pour éliminer le matériel dur et mou des surfaces plates comme les sols en vinyle, la colle pour moquette, la colle pour carrelage, l'enduit, la peinture et le vernis.</p>
	<p>Grattoir flexible. (Réf. - X26140-XJ)</p> <p>Idéal pour éliminer l'élastomère des surfaces plates dures dans les zones difficiles d'accès comme le mastic et autres matériaux de calfeutrage.</p>
	<p>Lame couverte de carbures utilisée pour éliminer les enduits. (Réf. - X26125-XJ)</p> <p>Surface recouverte de carbures, idéale pour éliminer les enduits et la colle pour carrelage des surfaces plates et pour éliminer rapidement les sciures de bois, d'aggloméré et de fibres de verre.</p>

	<p>Râpe couverte de carbures. (Réf. - X26130-XJ)</p> <p>Surface recouverte de carbures, idéale pour éliminer les enduits et pour éliminer rapidement les sciures de plastic, d'aggloméré et de fibres de verre.</p>
	<p>Feuilles abrasives.</p> <p>Différents grains pour poncer le bois, les surfaces vernis et peintes.</p>

Assemblage

Installation et retrait des accessoires (figures A à F)
Attention ! Avant toute installation d'accessoire, débranchez l'outil du secteur.

Installation d'un accessoire BLACK+DECKER / Piranha (figures A à C)

- ◆ Maintenez l'outil et appuyez sur le levier de serrage des accessoires (3).
- ◆ Glissez l'accessoire (8) entre la tige et le support de l'accessoire. Les huit axes du support doivent s'enclencher et l'accessoire doit être de niveau avec la tige.
- ◆ Relâchez le levier de serrage des accessoires.

Remarque : Certains accessoires, comme les grattoirs et les lames, peuvent être montés en angle, le cas échéant (figure C).

Retrait d'un accessoire BLACK+DECKER / Piranha (figure A)

- ◆ Maintenez l'outil et appuyez sur le levier de serrage des accessoires (3).
- ◆ Tirez l'accessoire de l'outil. Il doit se dégager des huit axes du support.
- ◆ Relâchez le levier de serrage des accessoires.

Attention : Portez des gants pour retirer les accessoires. En effet ces derniers peuvent devenir brûlants pendant l'utilisation.

Installation d'une feuille abrasive (figure D)

- ◆ Alignez la feuille abrasive (9) avec le plateau de ponçage (4), comme indiqué.
- ◆ Appuyez fermement et régulièrement la feuille abrasive sur le plateau de ponçage. Les trous de la feuille doivent coïncider à ceux du plateau de ponçage.

Retrait d'une feuille abrasive

- ◆ Sortez la feuille de ponçage du plateau de ponçage (4).

Attention ! N'utilisez jamais le plateau de ponçage sans une feuille abrasive ou l'accessoire en place.

Installation de l'adaptateur de dépeussierage (figure E)

- ◆ Alignez l'adaptateur de dépeussierage (5) avec le plateau de ponçage (4), comme indiqué.
- ◆ Enfoncez l'adaptateur sur le plateau de ponçage d'un geste ferme et régulier.
- ◆ Fixez l'adaptateur en tournant l'écrou de blocage (12) dans le sens des aiguilles d'une montre.
- ◆ Raccordez un aspirateur à l'adaptateur de dépeussierage.

Retrait de l'adaptateur de dépeussierage

- ◆ Faites tourner l'écrou de blocage (12) dans le sens inverse des aiguilles d'une montre.
- ◆ Tirez l'adaptateur de dépeussierage (5) du plateau de ponçage (4).

Installation des accessoires annexes (figure F)

- ◆ Placez la bague d'espacement (6) sur le collier (10).
- ◆ Placez l'accessoire annexe (11) sur le collier (10).
- ◆ Serrez fermement le boulon de fixation (7) pour que l'accessoire (11) soit bien fixé.

Remarque : La bague d'espacement et le boulon de fixation ne sont pas utilisés pour fixer les accessoires BLACK+DECKER. Les accessoires Black and decker sont fixés à l'aide du levier de serrage des accessoires Superlok™.

Utilisation

Attention ! Laissez l'outil fonctionner à sa propre vitesse. Ne le poussez pas au-delà de sa limite.

Attention ! Avant de couper les murs, les planchers ou les plafonds, vérifiez l'emplacement des câblages et des tuyaux.

Commande de variation de vitesse (figure G)

La commande de variation de vitesse vous permet d'adapter la vitesse de l'outil à la nature de l'application.

- ◆ Réglez le sélecteur de vitesse (2) à la position désirée. À la position 1, l'outil fonctionne à faible vitesse, 10 000 min-1. À la position 6, l'outil fonctionne à la vitesse maximale, 22 000 min-1.

Mise en marche et arrêt (figure H)

- ◆ Pour mettre l'outil en marche, glissez le bouton marche/arrêt (1) vers l'avant (position I).
- ◆ Pour éteindre l'outil, glissez le bouton marche/arrêt (1) vers l'arrière (position O).

Conseils pour une utilisation optimale

- ◆ Maintenez toujours l'outil fermement. Pour un travail de précision, maintenez l'outil proche de l'avant.
- ◆ Si possible serrez la pièce, surtout si des lames coupantes sont utilisées.
- ◆ N'exercez pas trop de pression sur l'outil.
- ◆ Utilisez toujours le type d'accessoire approprié correspondant au matériau de la pièce.
- ◆ Vérifiez régulièrement l'état des accessoires. Remplacez-les lorsque cela s'avère nécessaire.
- ◆ Repérez le point de départ désiré.
- ◆ Mettez l'outil en marche et insérez lentement les accessoires au niveau du point de départ sur la pièce.
- ◆ Serrez un morceau de bois tendre ou de contreplaqué à l'arrière de la pièce et sciez l'ensemble pour obtenir une coupe nette.
- ◆ Ne forcez pas la lame dans la pièce. Notez que la coupe de pièce en métal prend normalement plus de temps que celle de pièce en bois épais.
- ◆ Pour couper du métal, étalez une fine couche d'huile le long de la ligne de coupe avant de commencer.
- ◆ Lorsque vous poncez de nouvelles couches de peinture avant d'en appliquer une autre, utilisez un abrasif extra fin.
- ◆ Pour les surfaces irrégulières ou lorsque vous enlevez des couches de peinture, commencez par un abrasif à gros grains. Sur d'autres surfaces, commencez avec un abrasif moyen. Dans les deux cas, changez petit à petit de grain et passez à un abrasif fin pour une finition lisse.
- ◆ Renseignez-vous auprès de votre revendeur pour connaître les accessoires disponibles.

Entretien

Votre appareil/outil sans fil/avec fil BLACK+DECKER a été conçu pour fonctionner pendant longtemps avec un minimum d'entretien. Un fonctionnement continu satisfaisant dépend d'un nettoyage régulier et d'un entretien approprié de l'outil.

Attention ! À ne pas oublier avant l'entretien des appareils électriques sans fil/avec fil :

- ◆ Arrêtez l'appareil/outil, puis débranchez-le.
- ◆ Ou, arrêtez l'appareil et retirez la batterie de l'appareil/outil si celui-ci est muni d'un bloc-batterie séparé.
- ◆ Ou bien déchargez complètement la batterie si elle est intégrée au système, puis arrêtez l'appareil (position Off).
- ◆ Nettoyez régulièrement les orifices de ventilation de votre appareil/outil/chargeur à l'aide d'une brosse souple ou d'un chiffon sec.
- ◆ Nettoyez régulièrement le compartiment du moteur à l'aide d'un chiffon humide. N'utilisez pas de produit abrasif ou à base de solvant.

Remplacement des prises secteur (RU et Irlande uniquement)

Si une nouvelle prise secteur doit être installée :

- ◆ Mettez au rebut la vieille prise.
- ◆ Branchez le fil brun dans la borne de la nouvelle prise.
- ◆ Branchez le fil bleu à la borne neutre.

Attention ! Aucune connexion ne doit être faite à la borne de terre. Suivez les instructions de montage fournies avec les prises de bonne qualité. Fusibles recommandés : 5 A.

Protection de l'environnement



Recyclage. Cet appareil ne doit pas être jeté avec les déchets ménagers.

Si votre appareil/outil BLACK+DECKER doit être remplacé ou si vous ne l'utilisez plus, ne le jetez pas avec les ordures ménagères. Songez à la protection de l'environnement et recyclez-le.



La collecte séparée des produits et des emballages usagés permet de recycler et de réutiliser des matériaux.

La réutilisation de matériaux recyclés évite la pollution de l'environnement et réduit la demande de matières premières.

Des réglementations locales peuvent stipuler la collecte séparée des produits électriques et des produits ménagers, dans des déchetteries municipales ou par le revendeur lorsque vous achetez un nouveau produit.

BLACK+DECKER offre une solution permettant de recycler les produits BLACK+DECKER lorsqu'ils ont atteint la fin de leur cycle de vie. Pour pouvoir profiter de ce service, veuillez retourner votre produit à un réparateur agréé qui se chargera de le collecter pour nous.

Pour connaître l'adresse du réparateur agréé le plus proche de chez vous, contactez le bureau BLACK+DECKER à l'adresse indiquée dans ce manuel. Vous pourrez aussi trouver une liste de réparateurs agréés BLACK+DECKER et de plus amples détails sur notre service après-vente sur le site Internet à l'adresse suivante : www.2helpU.com

Caractéristiques techniques

		MT300 (Type 1)	MT280 (Type 1)
Tension	V_{AC}	230	230
Vitesse à vide	min^{-1}	10,000-22,000	10,000-22,000
Angle d'oscillation	Degrés	1,4 ou 2,8	1,4 ou 2,8
Puissance	W	300	280
Poids	kg	1.53	1.53

Niveau de pression sonore selon la norme EN 60745 :

Pression sonore (L_{pA}) 90 dB(A), incertitude (K) 3 dB(A)

Pression sonore (L_{WA}) 101 dB(A), incertitude (K) 3 dB(A)

Valeurs totales des vibrations (somme vectorielle triaxiale) selon la norme EN 60745 :

Coupe, bois ($a_{h,CW}$) 4.5 m/s^2 , incertitude (K) 1,5 m/s^2

Coupe, métal ($a_{h,CM}$) 10.3 m/s^2 , incertitude (K) 1,5 m/s^2

Ponçage (a_{hV}) 11.4 m/s^2 , incertitude (K) 1,5 m/s^2

Déclaration de conformité CE

CONSIGNES DE MACHINERIE



MT300, MT280 outil oscillant

Black & Decker confirme que les produits décrits dans les "Données techniques" sont conformes aux normes : 2006/42/EC, EN 60745-1:2009 +A11:2010, EN 60745-2-4:2009 +A11:2011

Ces produits sont aussi conformes aux directives 2004/108/CE (jusqu'au 19/04/2016), 2014/30/UE (à partir du 20/04/2016) et 2011/65/UE. Pour plus de détails, veuillez contacter Black & Decker à l'adresse suivante ou reportez-vous au dos du manuel.

Le soussigné est responsable des données de la fiche technique et fait cette déclaration au nom de Black & Decker.

R.Laverick
Director of Engineering
Black & Decker Europe, 210 Bath Road, Slough,
Berkshire, SL1 3YD
Royaume-Uni
20/10/2015

Garantie

Black & Decker assure la qualité de ses produits et vous offre une garantie très large. Ce certificat de garantie est un document supplémentaire et ne peut en aucun cas se substituer à vos droits légaux. La garantie est valable sur tout le territoire des États Membres de l'Union Européenne et de la Zone de Libre Échange Européenne.

Si un produit Black & Decker s'avère défectueux en raison de matériaux en mauvaises conditions, d'une erreur humaine, ou d'un manque de conformité dans les 24 mois suivant la date d'achat, Black & Decker garantit le remplacement des pièces défectueuses, la réparation des produits usés ou cassés ou remplace ces produits à la convenance du client, sauf dans les circonstances suivantes :

- ◆ Le produit a été utilisé dans un but commercial, professionnel, ou a été loué;
- ◆ Le produit a été mal utilisé ou utilisé avec négligence;
- ◆ Le produit a subi des dommages à cause d'objets étrangers, de substances ou à cause d'accidents;
- ◆ Des réparations ont été tentées par des techniciens ne faisant pas partie du service technique de Black & Decker.

Pour avoir recours à la garantie, il est nécessaire de fournir une preuve d'achat au vendeur ou à un réparateur agréé.

Pour connaître l'adresse du réparateur agréé le plus proche de chez vous, contactez le bureau Black & Decker à l'adresse indiquée dans ce manuel. Vous pourrez aussi trouver une liste de réparateurs agréés Black & Decker et de plus amples détails sur notre service après-vente sur le site Internet à l'adresse suivante : www.2helpU.com

Visitez notre site Web www.blackanddecker.fr pour enregistrer votre nouveau produit BLACK+DECKER et être informé des nouveaux produits et des offres spéciales. Pour plus d'informations concernant la marque BLACK+DECKER et notre gamme de produits, consultez notre site www.blackanddecker.fr

Uso previsto

La levigatrice oscillante BLACK+DECKER MT280, MT300 è stata ideata per le applicazioni Fai da te come ad esempio la levigatura. Essa è anche adatta per il taglio di materiali in legno, plastica, gesso, non ferrosi e per gli elementi di fissaggio (ad es. chiodi non temprati, punti metallici), per lavorare su piastrelle da parete non dure e per raschiare superfici di piccole dimensioni. L'elettrotensile è stato progettato solo per uso privato.

Istruzioni di sicurezza

Avvisi di sicurezza generici per gli elettrotensili



Attenzione! Leggere tutti gli avvisi di sicurezza e tutte le istruzioni. La mancata osservazione dei presenti avvisi e istruzioni potrebbe causare scosse elettriche, incendi e/o infortuni gravi.

Conservare tutte le istruzioni e le avvertenze per futura consultazione. Il termine "elettrotensile" che ricorre in tutti gli avvisi seguenti si riferisce a utensili elettrici alimentati dalla rete (con filo) o a batteria (senza filo).

1. Sicurezza nella zona di lavoro

- a. **Mantenere pulita e bene illuminata la zona di lavoro.** Il disordine o la scarsa illuminazione possono causare incidenti.
- b. **Evitare d'impiegare gli elettrotensili in ambienti esposti al rischio di esplosione, ad esempio in presenza di liquidi, gas o polveri infiammabili.** Gli elettrotensili producono scintille che possono far infiammare la polvere o i fumi.
- c. **Mantenere lontani bambini e osservatori mentre si usa l'elettrotensile.** Eventuali distrazioni possono comportare la perdita del controllo dell'elettrotensile.

2. Sicurezza elettrica

- a. **Le spine elettriche degli elettrotensili devono essere adatte alla presa. Evitare assolutamente di modificare la spina elettrica. Non usare adattatori con elettrotensili provvisti di messa a terra.** L'uso di spine inalterate e delle prese corrispondenti riduce il rischio di scosse elettriche.
- b. **Evitare il contatto fisico con superfici collegate a terra, come tubi, radiatori, forni e frigoriferi.** Un corpo collegato a terra è esposto maggiormente al rischio di scosse elettriche.
- c. **Custodire gli elettrotensili al riparo dalla pioggia o dall'umidità.** L'eventuale infiltrazione di acqua in un elettrotensile va ad aumentare il rischio di scosse elettriche.

- d. **Non utilizzare il cavo in modo improprio. Non usare il cavo per trasportare o trainare l'elettrotensile e non tirarlo per estrarre la spina dalla presa di corrente. Mantenere il cavo al riparo da calore, olio, bordi taglienti e/o da parti in movimento.** I cavi danneggiati o aggrovigliati aumentano il rischio di scosse elettriche.
- e. **Se l'elettrotensile viene adoperato all'aperto, usare esclusivamente prolunghie omologate per l'impiego all'esterno.** Un cavo adatto per uso esterno riduce il rischio di scosse elettriche.
- f. **Se non è possibile evitare di lavorare in una zona umida, usare un'alimentazione elettrica protetta da un dispositivo a corrente residua (RCD).** L'uso di un dispositivo RCD riduce il rischio di scosse elettriche.

3. Sicurezza delle persone

- a. **È importante concentrarsi su ciò che si sta facendo e maneggiare con giudizio l'elettrotensile. Non adoperare l'elettrotensile se si è stanchi o sotto l'effetto di stupefacenti, alcol o medicinali.** Un attimo di distrazione durante l'uso dell'elettrotensile può causare gravi infortuni personali.
- b. **Utilizzare un equipaggiamento di protezione personale. Indossare sempre occhiali di sicurezza.** Se si avrà cura d'indossare l'equipaggiamento protettivo necessario, ad esempio una maschera antipolvere, delle calzature antiscivolo, un casco o delle otoprotezioni, si ridurrà il rischio di infortuni.
- c. **Impedire l'avviamento involontario. Accertarsi che l'interruttore di accensione sia spento prima di collegare l'elettrotensile all'alimentazione elettrica e/o al battery pack, di prenderlo in mano o di trasportarlo.** Per non esporsi al rischio di incidenti, non trasportare gli elettrotensili tenendo le dita sull'interruttore oppure, se sono collegati a un'alimentazione elettrica, con l'interruttore acceso.
- d. **Prima di accendere un elettrotensile, togliere eventuali chiavi o attrezzi di regolazione.** Un attrezzo o una chiave lasciati in un componente mobile dell'elettrotensile possono causare infortuni.
- e. **Non piegarsi eccessivamente in avanti. Mantenere sempre un buon equilibrio evitando posizioni instabili.** In questo modo è possibile controllare meglio l'elettrotensile in situazioni inaspettate.
- f. **Vestirsi adeguatamente. Evitare di indossare indumenti larghi o gioielli. Tenere capelli, capi di vestiario e guanti lontani da parti in movimento.** Indumenti larghi, gioielli o capelli lunghi possono impigliarsi nelle parti in movimento.

g. **Se gli elettroutensili sono provvisti di attacchi per il collegamento di dispositivi di aspirazione o di raccolta della polvere, assicurarsi che questi siano installati e utilizzati correttamente.** L'impiego di dispositivi di raccolta della polvere diminuisce i rischi relativi alle polveri.

4. Uso e cura degli elettroutensili

a. **Non sovraccaricare l'elettroutensile. Usare l'elettroutensile adatto al lavoro da eseguire.**

Utilizzando l'elettroutensile adatto si potrà lavorare meglio e con maggiore sicurezza alla potenza nominale prevista.

b. **Non utilizzare elettroutensili con interruttori difettosi.**

Un elettroutensile che non può essere controllato mediante l'interruttore è pericoloso e deve essere riparato.

c. **Scollegare la spina dalla presa di corrente e/o il battery pack dall'elettroutensile prima di regolarlo, di sostituire gli accessori o di riparlo.** Queste precauzioni di sicurezza riducono la possibilità che l'elettroutensile sia messo in funzione inavvertitamente.

d. **Quando non sono usati, gli elettroutensili devono essere custoditi fuori della portata dei bambini. Non consentire l'uso dell'elettroutensile a persone inesperte o che non abbiano letto le presenti istruzioni.** Gli elettroutensili risultano pericolosi se usati da persone inesperte.

e. **Sottoporre gli elettroutensili alle necessarie procedure di manutenzione. Verificare che le parti mobili siano bene allineate e non inceppate, che non vi siano componenti rotti e che non sussistano altre condizioni che possono compromettere il funzionamento dell'elettroutensile. In caso di danni, riparare l'elettroutensile prima dell'uso.** La scarsa manutenzione causa molti incidenti.

f. **Mantenere affilati e puliti gli utensili da taglio.** Se sottoposti alla giusta manutenzione, gli strumenti da taglio con taglienti affilati s'inceppano meno frequentemente e sono più facili da manovrare.

g. **Utilizzare l'elettroutensile, gli accessori e le punte in conformità delle presenti istruzioni, tenendo conto delle condizioni di lavoro e del lavoro da completare.** L'impiego dell'elettroutensile per usi diversi da quelli consentiti può dar luogo a situazioni pericolose.

5. Riparazioni

a. **Fare riparare l'elettroutensile solo ed esclusivamente da personale specializzato e solo impiegando pezzi di ricambio originali,** onde non alterarne la sicurezza.

- ◆ **Tenere l'elettroutensile afferrando le impugnature isolate se vi è la possibilità che la punta del trapano possa venire a contatto di cavi nascosti o del filo di alimentazione.** Il contatto tra l'accessorio di taglio e un filo sotto tensione mette sotto tensione le parti metalliche esposte dell'elettroutensile e potrebbe esporre l'operatore a scosse elettriche.
- ◆ **Usare morsetti o altri metodi pratici per fissare e sorreggere il pezzo in lavorazione su una base stabile.** Un pezzo tenuto in mano o contro il corpo può diventare poco stabile e causare la perdita di controllo.



Attenzione! Il contatto o l'inalazione della polvere generata dalla levigatura potrebbe nuocere alla salute dell'operatore e di eventuali astanti. Indossare una mascherina antipolvere specifica per polveri e fumi e controllare che anche le persone presenti o in arrivo nella zona di lavoro siano adeguatamente protette.

- ◆ Dopo la levigatura, rimuovere tutta la polvere.
- ◆ Fare molta attenzione quando si levigano vernici che probabilmente contengono il piombo come componente di base o quando si levigano certi legni e metalli la cui polvere può essere tossica.
 - ◆ Vietare l'ingresso nell'area di lavoro a bambini o donne in gravidanza.
 - ◆ Non mangiare, bere o fumare nell'area di lavoro.
 - ◆ Smaltire polvere e rifiuti prendendo le necessarie misure di sicurezza.
- ◆ L'uso previsto è descritto nel presente manuale d'uso. Se questo elettroutensile viene usato con accessori o per usi diversi da quelli raccomandati nel presente manuale d'uso, si potrebbero verificare lesioni personali e/o danni alle cose.
- ◆ L'accessorio continuerà a muoversi dopo il rilascio dell'interruttore. Prima di appoggiare l'elettroutensile, spegnerlo e attendere che l'accessorio si fermi completamente.
- ◆ **Tenere le mani lontane dalla zona di taglio.** Non allungare mai le mani sotto il pezzo. Non infilare le dita o il pollice in prossimità della lama alternativa e del blocco lama. Non stabilizzare la sega afferrando la guida.
- ◆ **Tenere affilate le lame.** Delle lame spuntate o danneggiate possono causare la deviazione o lo spegnimento della sega sotto sforzo. Usare sempre il corretto tipo di lama per il materiale da tagliare.
- ◆ Quando si taglia un tubo o una conduttura, accertarsi sempre che al loro interno non vi siano acqua o fili elettrici.
- ◆ Non toccare il pezzo o la lama subito dopo aver fatto funzionare l'elettroutensile, dato che potrebbero essere molto caldi.



Attenzione! Altri avvisi di sicurezza per gli elettroutensili oscillanti

- ◆ Essere consapevoli che vi possono essere dei pericoli nascosti: prima di praticare tagli in pareti, pavimenti o soffitti, controllare l'ubicazione di cablaggi e tubazioni.

Sicurezza altrui

- ◆ Questo elettroutensile non è stato progettato per impiego da parte di persone (o bambini) portatrici di handicap fisici, psichici o sensoriali o che non abbiano la dovuta esperienza o conoscenza, a meno che non siano seguite o opportunamente istruite sul suo impiego da parte di una persona responsabile della loro sicurezza.
- ◆ Controllare che i bambini non giochino con l'elettroutensile.

Rischi residui.

Quando si usa l'elettroutensile, possono esservi altri rischi residui che possono non essere stati contemplati negli avvisi di sicurezza allegati. Tali rischi possono sorgere a seguito di un uso prolungato o improprio, ecc.

Perfino adottando gli appositi regolamenti di sicurezza e utilizzando i dispositivi di sicurezza, certi rischi residui non possono essere evitati. Essi comprendono:

- ◆ Lesioni causate o subite a seguito del contatto con parti rotanti/in movimento.
- ◆ Lesioni causate o subite durante la sostituzione di parti, lame o accessori.
- ◆ Lesioni causate dall'impiego prolungato di un elettroutensile. Quando si usa qualsiasi elettroutensile per lunghi periodi, accertarsi di fare regolarmente delle pause.
- ◆ Problemi di udito.
- ◆ Rischi per la salute causati dall'aspirazione di polvere generata dall'utilizzo dell'elettroutensile (ad esempio quando si lavora con il legno, in modo particolare quello di quercia, faggio o l'MDF.)

Vibrazioni

I valori dichiarati delle emissioni di vibrazioni al paragrafo Dati tecnici e nella Dichiarazione di conformità del presente manuale sono stati misurati in base al metodo di test standard previsto dalla normativa EN 60745 e possono essere usati come parametri di confronto tra due utensili. Il valore delle emissioni di vibrazioni dichiarato può anche essere usato come valutazione preliminare dell'esposizione.

Attenzione! Il valore delle emissioni di vibrazioni durante l'impiego effettivo dell'elettroutensile può variare da quello dichiarato a seconda delle modalità d'uso. Il livello delle vibrazioni può aumentare oltre quello dichiarato.

Quando si valuta l'esposizione alle vibrazioni per determinare le misure di sicurezza richieste, in conformità alla normativa 2002/44/CE e destinata alla protezione delle persone che usano regolarmente gli elettroutensili nello svolgimento delle proprie mansioni, è necessario prendere in considerazione le condizioni effettive di utilizzo e il modo in cui l'utensile è usato, oltre a tenere in conto tutte le componenti del ciclo operativo, vale a dire i periodi in cui l'elettroutensile è spento, quelli in cui è acceso, ma a riposo e quelli in cui è effettivamente utilizzato.

Etichette sull'elettroutensile

Sull'elettroutensile sono presenti i seguenti simboli assieme al codice data:



Avvertenza! Per ridurre il rischio di infortuni, l'utente deve leggere il manuale d'uso.



Attenzione! Indossare sempre una maschera antipolvere durante l'utilizzo di questo elettroutensile.

Sicurezza elettrica



Il doppio isolamento di cui è provvisto l'elettroutensile rende superfluo il filo di terra. Controllare sempre che l'alimentazione corrisponda alla tensione indicata sulla targhetta dei dati tecnici.

- ◆ In caso di danneggiamento del filo di alimentazione, è necessario farlo riparare dal fabbricante o presso un centro assistenza BLACK+DECKER autorizzato in modo da evitare eventuali pericoli.

Caratteristiche

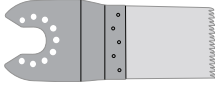

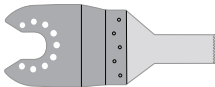
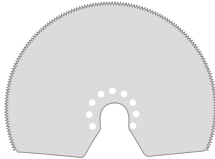
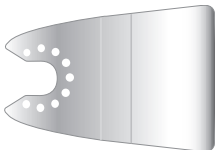

Questo elettroutensile presenta alcune o tutte le seguenti caratteristiche.

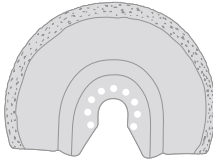
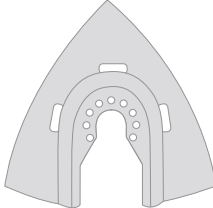
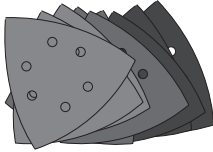
1. Interruttore di accensione
2. Manopola velocità variabile
3. Super-lok™ Leva di serraggio degli accessori che non richiede l'uso di attrezzi
4. Base di levigatura
5. Adattatore estrazione polvere
6. Adattatore per accessorio che richiede l'uso di un attrezzo (distanziale)
7. Adattatore per accessorio che richiede l'uso di attrezzi (bullone di fissaggio)

Accessori

Questo elettroutensile è dotato di alcuni o di tutti gli accessori riportati di seguito.

Le prestazioni dell'elettroutensile dipendono dall'accessorio usato. Gli accessori BLACK+DECKER e Piranha sono stati fabbricati in base a standard qualitativi elevati e sono stati progettati per ottenere le migliori prestazioni dall'elettroutensile. Usando questi accessori si otterrà il meglio dall'elettroutensile.

	<p>Lama da sega per taglio a tuffo di precisione per materiali in legno, plastica morbida. (Parte numero - X26105-XJ)</p> <p>Divisione, taglio a tuffo e taglio a filo per legno e plastica morbida. Ideale per porte, battiscopa, davanzali e pavimentazioni.</p>
	<p>Lama da sega per taglio a tuffo per legno e metallo. (Parte numero - X26110-XJ)</p> <p>Divisione, taglio a tuffo e taglio a filo per legno, plastica, tubi non ferrosi a parete sottile ed estrusioni, chiodi e viti.</p>
	<p>Lama da sega per taglio a tuffo per legno e metallo. (Parte numero - X26115-XJ)</p> <p>Divisione, taglio a tuffo e taglio a filo per legno, plastica, tubi non ferrosi a parete sottile ed estrusioni.</p>
	<p>Lama da sega segmentata. (Parte numero - X26120-XJ)</p> <p>Lama di lunga durata ideale per il taglio di legno, plastica, materiali ferrosi e non ferrosi a parete sottile.</p>
	<p>Raschietto rigido. (Parte numero - X26135-XJ)</p> <p>Ideale per la rimozione di materiale duro e morbido da superfici piane come pavimentazioni in vinile, adesivo di moquette incollate, adesivo di piastrelle, boiaccia, vernice e lacche.</p>
	<p>Raschietto flessibile. (Parte numero - X26140-XJ)</p> <p>Ideale per la rimozione di materiali elastomerici dalle superfici piane dure in aree difficili da raggiungere come il sigillante al silicone e altri materiali da calafataggio.</p>

	<p>Lama di rimozione della boiaccia al carburo. (Parte numero - X26125-XJ)</p> <p>Con superficie rivestita al carburo ideale per la rimozione di boiaccia adesiva per piastrelle da superfici piane e per la rimozione veloce di legno, truciolo e fibra di vetro.</p>
	<p>Raspa al carburo. (Parte numero - X26130-XJ)</p> <p>Con superficie rivestita al carburo ideale per la rimozione di boiaccia e di plastica, truciolo e fibra di vetro.</p>
	<p>Fogli di carta vetrata.</p> <p>Vari gradi per la levigatura di legno e di superfici verniciate e laccate.</p>

Montaggio

Montaggio e rimozione degli accessori (figg. A - F)

Attenzione! Prima di montare un accessorio, spegnere e scollegare l'elettroutensile dall'alimentazione elettrica.

Montaggio di un accessorio BLACK+DECKER / Piranha (figg. A - C)

- ◆ Afferrare l'elettroutensile e premere la leva di serraggio degli accessori (3).
- ◆ Far scorrere l'accessorio (8) tra l'albero e il supporto verificando che si innesti tra le otto spine sul supporto e che sia a filo con l'albero.
- ◆ Rilasciare la leva di serraggio degli accessori.

Nota: Alcuni accessori, come i raschietti e le lame, possono essere montati ad angolo se richiesto (fig. C).

Smontaggio di un accessorio BLACK+DECKER / Piranha (fig. A)

- ◆ Afferrare l'elettroutensile e premere la leva di serraggio degli accessori (3).
- ◆ Estrarre l'accessorio dall'elettroutensile verificando che si disinnesti dagli otto piedini sul supporto.
- ◆ Rilasciare la leva di serraggio degli accessori.

Avvertenza: Indossare guanti quando si smonta un accessorio dato che potrebbe essersi riscaldato durante l'impiego.

Montaggio di un foglio carta vetrata (fig. D)

- ◆ Allineare il foglio di carta vetrata (9) alla base di levigatura (4) come illustrato.
- ◆ Premere saldamente e in modo uniforme il foglio di carta vetrata sulla base di levigatura, verificando che i fori presenti sul foglio siano allineati con quelli della base.

Rimozione di un foglio di carta vetrata

- ◆ Staccare il foglio di carta vetrata dalla base di levigatura (4).

Attenzione! Non utilizzare mai la base di levigatura senza aver prima montato un foglio di carta vetrata o un accessorio.

Montaggio di un adattatore di estrazione (fig. E)

- ◆ Allineare l'adattatore di estrazione della polvere (5) alla base di levigatura (4) come illustrato.
- ◆ Premere saldamente e in modo uniforme l'adattatore nella base di levigatura.
- ◆ Serrare l'adattatore ruotando il dado di bloccaggio (12) in senso orario.
- ◆ Collegare un aspirapolvere all'adattatore di estrazione della polvere.

Rimozione dell'adattatore di estrazione della polvere

- ◆ Ruotare il dado di bloccaggio (12) in senso antiorario.
- ◆ Estrarre l'adattatore di estrazione della polvere (5) dalla base di levigatura (4).

Montaggio degli accessori alternativi (fig. F)

- ◆ Infilare il distanziale (6) sul collare (10).
- ◆ Appoggiare l'accessorio alternativo (11) sul collare (10).
- ◆ Avvitare saldamente il bullone di fissaggio (7) in sede per garantire che l'accessorio alternativo sia ben fissato (11).

Nota: Il distanziale e il bullone di fissaggio non sono usati per il montaggio degli accessori BLACK+DECKER. Gli accessori Black and Decker sono montati usando la leva di bloccaggio degli accessori Super-lok™ che non richiede l'impiego di attrezzi.

Utilizzo

Attenzione! Lasciare che l'elettrotensile funzioni al suo ritmo. Non sovraccarcarlo.

Attenzione! Prima di eseguire tagli in pareti, pavimenti o soffitti, controllare l'ubicazione di fili e tubazioni.

Comando velocità variabile (fig. G)

Il comando della velocità variabile consente di adattare la velocità dell'elettrotensile all'applicazione.

- ◆ Regolare la manopola di comando della velocità variabile (2) sulla regolazione richiesta. Sulla regolazione 1, l'elettrotensile funziona a bassa velocità, 10.000 min⁻¹. Sulla regolazione 6, l'elettrotensile funziona alla velocità massima, 22.000 min⁻¹.

Accensione e spegnimento (fig. H)

- ◆ Per accendere l'elettrotensile, far scorrere in avanti l'interruttore di accensione (1) (posizione I).
- ◆ Per spegnere l'elettrotensile, far scorrere indietro l'interruttore di accensione (1) (posizione O).

Consigli per un utilizzo ottimale

- ◆ Afferrare sempre saldamente l'elettrotensile. Per lavori di precisione, tenere l'elettrotensile vicino alla parte anteriore.
- ◆ Serrare il pezzo di lavoro in una morsa, se del tutto possibile, specialmente quando si usano lame da taglio.
- ◆ Non esercitare una pressione eccessiva sull'elettrotensile.
- ◆ Usare sempre il corretto tipo di accessorio per il materiale del pezzo e il tipo di taglio.
- ◆ Verificare regolarmente lo stato degli accessori. Sostituirli quando necessario.
- ◆ Segnare il punto di partenza desiderato.
- ◆ Accendere l'elettrotensile e far entrare lentamente gli accessori nel pezzo fino al punto di partenza desiderato.
- ◆ Fissare un pezzo di compensato o di legno morbido sulla parte posteriore del pezzo e segare insieme per ottenere un taglio netto.
- ◆ Non forzare la lama da taglio nel pezzo. Tenere presente che il taglio di un pezzo di lamiera richiede di solito più tempo della segatura di pezzi in legno.
- ◆ Prima di tagliare del metallo, lubrificare con un velo sottile di olio la linea di taglio.
- ◆ Quando si levigano strati di vernice nuova, adoperare carta a grana fine prima di applicare lo strato successivo di vernice.
- ◆ Su superfici rugose, o quando si rimuovono degli strati di vernice, iniziare a levigare con carta abrasiva a grana grossa. Su superfici di altro tipo, cominciare con una grana media. In entrambi i casi, per ottenere una rifinitura omogenea passare gradualmente a una grana sottile.
- ◆ Consultare il rivenditore per ulteriori informazioni sugli accessori disponibili.

Manutenzione

Questo apparecchio/elettrotensile BLACK+DECKER con o senza filo è stato progettato per funzionare a lungo con una manutenzione minima. Per ottenere prestazioni sempre soddisfacenti occorre avere cura dell'elettrotensile e sottoporlo a pulizia periodica.

Avvertenza! Prima di eseguire interventi di manutenzione su elettrotensili con o senza filo procedere come descritto di seguito.

- ◆ Spegner e scollegare l'apparecchio/elettrotensile dalla presa di corrente.
- ◆ Oppure spegnere ed estrarre la batteria se l'apparecchio/elettrotensile è dotato di battery pack a parte.
- ◆ Oppure scaricare completamente la batteria se è di tipo integrale e quindi spegnerlo.
- ◆ Pulire regolarmente le prese di ventilazione dell'apparecchio/elettrotensile/alimentatore con un pennello o con un panno morbido e asciutto.
- ◆ Il vano del motore deve essere pulito regolarmente con un panno umido. Non usare materiali abrasivi o detergenti a base di solventi.

Sostituzione della spina (solo Regno Unito e Irlanda)

Se è necessario montare una nuova spina:

- ◆ smaltire in tutta sicurezza quella vecchia.
- ◆ Collegare il filo marrone al morsetto sotto tensione della nuova spina.
- ◆ Collegare il filo blu al morsetto neutro.

Attenzione! Non effettuare nessun collegamento sul morsetto di terra. Seguire le istruzioni fornite con le spine di buona qualità. Fusibile raccomandato: 5 A.

Protezione dell'ambiente



Raccolta differenziata. Questo prodotto non deve essere smaltito con i normali rifiuti domestici.

Nel caso in cui l'elettrotensile BLACK+DECKER debba essere sostituito o non sia più necessario, non smaltirlo con i normali rifiuti domestici. Metterlo da parte per la raccolta differenziata.



La raccolta differenziata dei prodotti e degli imballaggi utilizzati consente il riciclaggio dei materiali e il loro continuo utilizzo.

Il riutilizzo dei materiali riciclati favorisce la protezione dell'ambiente prevenendo l'inquinamento e riduce il fabbisogno di materie prime.

Seguire la regolamentazione locale per la raccolta differenziata dei prodotti elettrici che può prevedere punti di raccolta o la consegna dell'elettrotensile al rivenditore presso il quale viene acquistato un nuovo prodotto.

BLACK+DECKER offre ai propri clienti la possibilità di riciclare i prodotti BLACK+DECKER che hanno esaurito la loro vita di servizio.

Per usufruire di tale servizio, è sufficiente restituire il prodotto a qualsiasi tecnico autorizzato, incaricato della raccolta per conto dell'azienda.

Per individuare il tecnico autorizzato più vicino, rivolgersi alla sede BLACK+DECKER locale, presso il recapito indicato nel presente manuale. Altrimenti, un elenco completo di tutti i tecnici autorizzati BLACK+DECKER e i dettagli completi sui contatti e i servizi post-vendita sono disponibili su Internet all'indirizzo: www.2helpU.com

Dati tecnici

		MT300 (Tipo 1)	MT280 (Tipo 1)
Tensione	V_{AC}	230	230
Regime a vuoto	min^{-1}	10,000-22,000	10,000-22,000
Angolo di oscillazione	Gradi	1,4 o 2,8	1,4 o 2,8
Potenza	W	300	280
Peso	kg	1.53	1.53

Livello di pressione sonora misurato in base a EN 60745:

Pressione sonora (L_{pA}) 90 dB(A), incertezza (K) 3 dB(A)

Potenza acustica (L_{WA}) 101 dB(A), incertezza (K) 3 dB(A)

Valori totali vibrazioni (somma vettoriale triassiale) in base a EN 60745:

Taglio del legno ($a_{h,CW}$) 4.5 m/s^2 , incertezza (K) 1.5 m/s^2

Taglio del metallo ($a_{h,CM}$) 10.3 m/s^2 , incertezza (K) 1.5 m/s^2

Levigatura (a_v) 11.4 m/s^2 , incertezza (K) 1.5 m/s^2

Dichiarazione di conformità CE

DIRETTIVA SUI MACCHINARI



MT300, MT280 dell'utensile oscillante

Black & Decker dichiara che questi prodotti descritti al paragrafo "Dati tecnici" sono conformi a:
2006/42/EC, EN 60745-1:2009 +A11:2010,
EN 60745-2-4:2009 +A11:2011

Questi prodotti sono conformi alle Direttive 2004/108/CE (fino al 19/04/2016), 2014/30/UE (dal 20/04/2016) e 2011/65/UE. Per ulteriori informazioni, contattare Black & Decker al seguente indirizzo oppure consultare l'ultima di copertina del manuale.

Il sottoscritto è responsabile della redazione di questo documento tecnico e rilascia questa dichiarazione per conto di Black & Decker.

R. Laverick
Director of Engineering
Black & Decker Europe, 210 Bath Road, Slough,
Berkshire, SL1 3YD
Regno Unito
20/10/2015

Garanzia

Certa della qualità dei suoi prodotti, Black & Decker offre una garanzia eccezionale. Il presente certificato di garanzia è complementare ai diritti legali e non li pregiudica in alcun modo. La garanzia è valida entro il territorio degli Stati membri dell'Unione Europea e dell'EFTA (European Free Trade Area).

Se un prodotto Black & Decker risulta difettoso per qualità del materiale, della costruzione o per mancata conformità entro 24 mesi dalla data di acquisto, Black & Decker garantisce la sostituzione delle parti difettose, provvede alla riparazione dei prodotti se ragionevolmente usurati oppure alla loro sostituzione, in modo da ridurre al minimo il disagio del cliente a meno che:

- ◆ il prodotto non sia stato destinato a usi commerciali, professionali o al noleggio;
- ◆ il prodotto non sia stato usato in modo improprio o scorretto;
- ◆ il prodotto non abbia subito danni causati da oggetti o sostanze estranee oppure incidenti;
- ◆ il prodotto non abbia subito tentativi di riparazione non effettuati da tecnici autorizzati né dall'assistenza Black & Decker.

Per attivare la garanzia è necessario esibire la prova di acquisto al venditore o al tecnico autorizzato. Per individuare il tecnico autorizzato più vicino, rivolgersi alla sede Black & Decker locale, presso il recapito indicato nel presente manuale. Altrimenti, un elenco completo di tutti i tecnici autorizzati Black & Decker e i dettagli completi sui contatti e i servizi post-vendita sono disponibili su Internet all'indirizzo: www.2helpU.com

I clienti che desiderano registrare il nuovo prodotto BLACK+DECKER e ricevere gli aggiornamenti sui nuovi prodotti e le offerte speciali, sono invitati a visitare il sito Web (www.blackanddecker.it). Ulteriori informazioni sul marchio e la gamma di prodotti BLACK+DECKER sono disponibili all'indirizzo www.blackanddecker.it.

Beoogd gebruik

Uw oscillerend gereedschap van BLACK+DECKER MT280, MT300 is ontwikkeld voor doehetzelftoepassingen als schuren. Het is ook geschikt voor het snijden in hout, kunststof, gips, non-ferrometaal en bevestigingen (bv niet-geharde spijkers, nieten), het bewerken van zachte wandtegels en het afschrapen van kleine oppervlakken. Dit gereedschap is uitsluitend bestemd voor consumentengebruik.

Veiligheidsinstructies

Algemene veiligheidswaarschuwingen voor elektrisch gereedschap



Waarschuwing! Lees alle veiligheidswaarschuwingen en alle instructies. Wanneer de volgende waarschuwingen en voorschriften niet in acht worden genomen, kan dit een elektrische schok, brand of ernstig letsel tot gevolg hebben.

Bewaar alle waarschuwingen en instructies als referentiemateriaal. Het in de waarschuwingen gebruikte begrip 'elektrisch gereedschap' heeft betrekking op elektrische gereedschappen voor gebruik op de netspanning (met netsnoer) of op accu (snoerloos).

1. Veilige werkomgeving

- a. **Houd uw werkomgeving schoon en opgeruimd.** Een rommelige of slecht verlichte werkomgeving kan tot ongevallen leiden.
- b. **Gebruik elektrisch gereedschap niet in een omgeving met explosiegevaar, zoals in de nabijheid van brandbare vloeistoffen, gasen of stof.** Elektrisch gereedschap veroorzaakt vonken die het stof of de dampen tot ontsteking kunnen brengen.
- c. **Houd kinderen en andere personen tijdens het gebruik van elektrisch gereedschap uit de buurt.** Wanneer u wordt afgeleid, kunt u de controle over het gereedschap verliezen.

2. Elektrische veiligheid

- a. **De netstekker van het gereedschap moet in het stopcontact passen. De stekker mag in geen geval worden omgebouwd. Gebruik geen adapterstekkers in combinatie met gearde gereedschappen.** Niet-omgebouwde stekkers en passende stopcontacten beperken het risico van een elektrische schok.
- b. **Vermijd aanraking van het lichaam met gearde oppervlakken, bijvoorbeeld buizen, verwarmingen, fornuizen en koelkasten.** Er bestaat een verhoogd risico op een elektrische schok wanneer uw lichaam geaard is.
- c. **Houd het gereedschap uit de buurt van regen en vocht.**

Het binnendringen van water in het elektrische gereedschap vergroot het risico van een elektrische schok.

- d. **Gebruik het snoer niet voor een verkeerd doel. Gebruik het snoer niet om het gereedschap te dragen of op te hangen of om de stekker uit het stopcontact te trekken. Houd het snoer uit de buurt van hitte, olie, scherpe randen of bewegende delen.** Beschadigde of in de war geraakte snoeren vergroten het risico van een elektrische schok.
 - e. **Wanneer u buitenshuis met elektrisch gereedschap werkt, dient u alleen verlengsnoeren te gebruiken die zijn goedgekeurd voor gebruik buitenshuis.** Het gebruik van een verlengsnoer dat geschikt is voor gebruik buitenshuis, beperkt het risico van een elektrische schok.
 - f. **Als u een elektrisch gereedschap moet gebruiken in een vochtige locatie, moet u een reststroomschakelaar (RCD) gebruiken.** Met een aardlekschakelaar wordt het risico van een elektrische schok verkleind.
- ### 3. Veiligheid van personen
- a. **Wees alert, let goed op wat u doet en ga met verstand te werk bij het gebruik van elektrische gereedschappen. Gebruik elektrisch gereedschap niet wanneer u moe bent of onder invloed van drugs, alcohol of medicijnen.** Een moment van onoplettendheid bij het gebruik van het gereedschap kan leiden tot ernstige verwondingen.
 - b. **Draag een persoonlijke beschermende uitrusting. Draag altijd een veiligheidsbril.** Het dragen van een persoonlijke beschermende uitrusting zoals een stofmasker, slipvaste werkschoenen, een veiligheidshelm of gehoorbescherming, afhankelijk van de aard en het gebruik van het elektrische gereedschap, vermindert het risico van verwondingen.
 - c. **Voorkom per ongeluk inschakelen. Controleer of de schakelaar in de uit-stand staat voordat u het gereedschap aansluit op het stopcontact en/of de accu en voordat u het gereedschap op tilt of gaat dragen.** Wanneer u bij het dragen van het gereedschap uw vinger op de schakelaar houdt of wanneer u het gereedschap per ongeluk inschakelt, kan dat leiden tot ongevallen.
 - d. **Verwijder instelgereedschappen of schroefslutels voordat u het gereedschap inschakelt.** Een instelgereedschap of sleutel in een draaiend deel van het gereedschap kan tot verwondingen leiden.
 - e. **Reik niet te ver. Zorg er altijd voor dat u stevig staat en in evenwicht blijft.** Daardoor kunt u het gereedschap in onverwachte situaties beter onder controle houden.

- f. **Draag geschikte kleding. Draag geen loshangende kleding of sieraden. Houd haren, kleding en handschoenen uit de buurt van bewegende delen.** Loshangende kleding, sieraden en lange haren kunnen door bewegende delen worden meegenomen.
- g. **Wanneer stofafzuigings- of stofopvangvoorzieningen kunnen worden gemonteerd, dient u zich ervan te verzekeren dat deze zijn aangesloten en juist worden gebruikt.** Het gebruik van stofopvangvoorzieningen beperkt het gevaar door stof.

4. Gebruik en onderhoud van elektrisch gereedschap

- a. **Overbelast het gereedschap niet. Gebruik het geschikte elektrische gereedschap voor uw toepassing.** Met het geschikte elektrische gereedschap werkt u beter en veiliger binnen het aangegeven capaciteitsbereik.
- b. **Gebruik geen elektrisch gereedschap waarvan de schakelaar defect is.** Elektrisch gereedschap dat niet meer kan worden in- of uitgeschakeld, is gevaarlijk en moet worden gerepareerd.
- c. **Trek de stekker uit het stopcontact en/of verwijder de accu uit het elektrisch gereedschap voordat u het gereedschap instelt, toebehoren wisselt of het gereedschap opbergt.** Met deze voorzorgsmaatregel voorkomt u onbedoeld starten van het gereedschap.
- d. **Bewaar niet-gebruikte elektrische gereedschappen buiten bereik van kinderen. Laat het gereedschap niet gebruiken door personen die er niet vertrouwd mee zijn en deze aanwijzingen niet hebben gelezen.** Elektrische gereedschappen zijn gevaarlijk wanneer deze door onervaren personen worden gebruikt.
- e. **Verzorg het gereedschap zorgvuldig. Controleer of bewegende delen van het gereedschap correct functioneren en niet klemmen, en of er onderdelen zodanig zijn gebroken of beschadigd dat de werking van het gereedschap nadelig wordt beïnvloed. Laat beschadigde delen repareren voordat u het gereedschap gebruikt.** Veel ongevallen worden veroorzaakt door slecht onderhouden elektrische gereedschappen.
- f. **Houd snijdende inzetgereedschappen scherp en schoon.** Zorgvuldig onderhouden snijdende inzetgereedschappen met scherpe snijkanten klemmen minder snel vast en zijn gemakkelijker te geleiden.
- g. **Gebruik elektrische gereedschappen, toebehoren, inzetgereedschappen en dergelijke volgens deze aanwijzingen. Let daarbij op de arbeidsomstandigheden en de uit te voeren werkzaamheden.** Het gebruik van elektrische gereedschappen voor andere dan de voorziene toepassingen kan leiden tot gevaarlijke situaties.

5. Onderhoud

- a. **Laat het gereedschap alleen repareren door gekwalificeerd en vakkundig personeel en alleen met originele vervangingsonderdelen.** Daarmee wordt de veiligheid van het gereedschap gewaarborgd.



Waarschuwing! Aanvullende veiligheidsaanschuwingen voor oscillerende gereedschappen

- ◆ **Houd het gereedschap vast bij de geïsoleerde greepoppervlakken als u een handeling uitvoert waarbij het snijdende hulpstuk met onzichtbare draden of met het eigen snoer in aanraking kan komen.** Als een draad onder spanning wordt geraakt door het snijdende hulpstuk, komen onbedekte metalen onderdelen van het gereedschap onder spanning te staan en krijgt u mogelijk een elektrische schok
- ◆ **Zet het werkstuk met klemmen of een andere praktische manier vast op een stabiel platform.** Als u het werkstuk met de hand of tegen uw lichaam vasthoudt, is het niet stabiel en kunt u de controle over het gereedschap verliezen.



Waarschuwing! Contact met of inademing van het stof dat bij het schuren vrijkomt, kan de gezondheid van de gebruiker en omstanders schaden. Draag een stofmasker dat speciaal is ontworpen ter bescherming tegen stoffen en dampen, en verzekert u ervan dat andere personen die zich op de werkvloer bevinden of deze betreden, eveneens zijn beschermd.

- ◆ Verwijder zorgvuldig alle stof na het schuren.
- ◆ Neem speciale maatregelen bij het schuren van verf die mogelijk een loodbasis heeft of bij het schuren van bepaalde hout- en metaalsoorten die mogelijk giftige stoffen produceren:
 - ◆ Kinderen en zwangere vrouwen mogen de werkvloer niet betreden.
 - ◆ Eten, drinken en roken op de werkvloer is niet toegestaan.
 - ◆ Verwijder stof en ander afval op veilige en verantwoorde wijze.
- ◆ In deze instructiehandleiding wordt het beoogde gebruik beschreven. Het gebruik van andere accessoires of hulpstukken dan wel de uitvoering van andere handelingen met dit gereedschap dan in deze gebruikershandleiding worden aanbevolen, kan leiden tot persoonlijk letsel en/of schade aan eigendommen.
- ◆ Nadat u de schakelaar hebt losgelaten blijft de accessoire bewegen. Schakel het gereedschap altijd uit en wacht tot de accessoire volledig tot stilstand is gekomen voordat u het gereedschap neerlegt.

◆ Blijf met uw handen uit de buurt van het snijgebied.

Steek uw handen nooit onder het werkstuk. Blijf met uw vingers en duim uit de buurt van het heen en weer bewegende blad en van de heen en weer bewegende bladklem. Houd de zaag niet in evenwicht door de zool vast te houden.

- ◆ **Houd bladen scherp.** Door botte of beschadigde bladen kan de zaag onder druk afwijken of blijven steken. Gebruik altijd het juiste type zaagblad voor het werkstukmateriaal en het type zaagsnede.
- ◆ Als u een pijp of buis gaat doorzagen, controleert u of deze geen water, elektrische bedrading, enzovoort, bevat.
- ◆ Raak het werkstuk of het blad niet meteen na het zagen aan. Ze kunnen zeer heet worden.
- ◆ Wees bedacht op verborgen gevaren. Controleer waar zich bedrading en leidingen bevinden voordat u in muren, vloeren of plafonds zaagt.

Veiligheid van anderen

- ◆ Dit apparaat mag niet worden gebruikt door personen (waaronder kinderen) met een lichamelijke of geestelijke beperking of die geen ervaring met of kennis van dit apparaat hebben, tenzij ze onder toezicht staan of instructies hebben gekregen voor het gebruik van het apparaat van een persoon die verantwoordelijk is voor hun veiligheid.
- ◆ Houd toezicht op kinderen om ervoor te zorgen dat zij niet met het apparaat gaan spelen.

Overige risico's

Er kunnen zich tijdens het gebruik van het gereedschap ook andere risico's voordoen, die misschien niet in de bijgevoegde veiligheidswaarschuwingen worden vermeld. Deze risico's kunnen zich voordoen als gevolg van onoordeelkundig gebruik, langdurig gebruik, enz.

Zelfs als de veiligheidsvoorschriften in acht worden genomen en de veiligheidsvoorzieningen worden geïmplementeerd, kunnen bepaalde risico's niet worden vermeden. Deze omvatten:

- ◆ Verwondingen die worden veroorzaakt door het aanraken van draaiende of bewegende onderdelen.
- ◆ Verwondingen die worden veroorzaakt bij het vervangen van onderdelen, bladen of accessoires.
- ◆ Verwondingen die worden veroorzaakt door langdurig gebruik van het gereedschap. Als u langere periodes met het gereedschap werkt, is het raadzaam om regelmatig een pauze in te lassen.
- ◆ Gehoorbeschadiging.
- ◆ Gezondheidsrisico's als gevolg van het inademen van stof dat door gebruik van het gereedschap wordt veroorzaakt (bijvoorbeeld tijdens het werken met hout, vooral eiken, beuken en MDF.)

Trillingen

De aangegeven waarden voor trillingsemisatie in de technische gegevens en de conformiteitsverklaring zijn gemeten conform een standaardtestmethode die door EN 60745 wordt geboden. Hiermee kan het ene gereedschap met het andere worden vergeleken. De aangegeven waarde voor trillingsemisatie kan ook worden gebruikt bij een voorlopige bepaling van blootstelling.

Waarschuwing! De waarde voor trillingsemisatie tijdens het werkelijke gebruik van het gereedschap kan verschillen van de aangegeven waarde afhankelijk van de manieren waarop het gereedschap wordt gebruikt. Het trillingsniveau kan hoger worden dan het aangegeven niveau.

Wanneer de blootstelling aan trillingen wordt vastgesteld teneinde veiligheidsmaatregelen te bepalen die worden vereist door 2002/44/EC ter bescherming van personen die tijdens hun werk regelmatig elektrische gereedschappen gebruiken, moet bij een schatting van de blootstelling aan trillingen rekening worden gehouden met de werkelijke omstandigheden van het gebruik en de manier waarop het gereedschap wordt gebruikt. Daarbij moet ook rekening worden gehouden met alle stappen in de gebruikscyclus, zoals het moment waarop het gereedschap wordt uitgeschakeld en wanneer het gereedschap stationair loopt alsook de aanlooptijd.

Labels op het gereedschap

Naast de datumcode is het gereedschap voorzien van de volgende symbolen:



Waarschuwing! De gebruiker moet de instructiehandleiding lezen om het risico op letsel te verminderen.



Waarschuwing! Draag altijd een stofmasker wanneer u dit gereedschap gebruikt.

Elektrische veiligheid



Dit gereedschap is dubbel geïsoleerd. Een aardaansluiting is daarom niet noodzakelijk. Controleer altijd of uw netspanning overeenkomt met de waarde op het typeplaatje.

- ◆ Als het netsnoer is beschadigd, moet dit worden vervangen door de fabrikant of een BLACK+DECKER-servicecentrum om gevaren te voorkomen.

Onderdelen



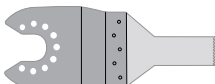

Dit gereedschap kan de volgende onderdelen bevatten:

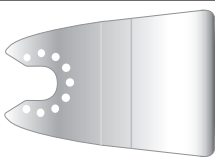

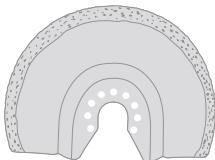
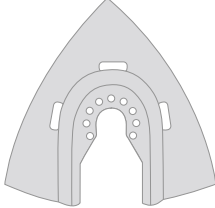
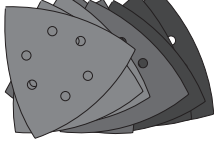
1. Aan-uitschakelaar
2. Knop voor variabele snelheid
3. Super-lok™ klemhendel voor accessoires waarbij geen gereedschap nodig is
4. Schuurzool
5. Stofafzuigingsadapter
6. Adapter voor alternatieve accessoires (pasring)
7. Adapter voor alternatieve accessoires (bevestigingsbout)

Accessoires

Dit gereedschap kan de volgende accessoires bevatten.

De prestaties van het gereedschap zijn afhankelijk van de gebruikte accessoires. Accessoires van BLACK+DECKER en Piranha zijn ontworpen om aan hoge kwaliteitsnormen te voldoen en de prestaties van uw gereedschap te verhogen. In combinatie met deze accessoires kunt u uw gereedschap nog beter laten presteren.

	<p>Zaagblad met precieze dieptesnede voor hout, zachte kunststoffen. (Onderdeelnummer - X26105-XJ) Voor het scheiden, diep snijden en reciprozagen van hout en zachte kunststoffen. Ideaal voor werken aan deuren, plinten, kozijnen en vloeren.</p>
	<p>Zaagblad met dieptesnede voor hout en metaal. (Onderdeelnummer - X26110-XJ) Voor het scheiden, diep snijden en reciprozagen van hout, kunststoffen, dunwandige buizen van non-ferrometalen, spijkers en schroeven.</p>
	<p>Zaagblad met dieptesnede voor hout en metaal. (Onderdeelnummer - X26115-XJ) Voor het scheiden, diep snijden en reciprozagen van hout, kunststoffen en dunwandige buizen van non-ferrometalen.</p>
	<p>Gesegmenteerd zaagblad. (Onderdeelnummer - X26120-XJ) Duurzaam blad dat ideaal is voor het snijden van hout, kunststoffen, en dunwandige materialen van ferrometalen en non-ferrometalen.</p>

	<p>Harde schraper. (Onderdeelnummer - X26135-XJ) Ideaal voor het verwijderen van vlakke of zachte materialen van vlakke oppervlakken, zoals het verwijderen van vinyl vloeren, gebonden tapijtkleefstof, tegellijm, voegmiddel, verf en vernis.</p>
	<p>Flexibele schraper. (Onderdeelnummer - X26140-XJ) Ideaal voor het verwijderen van elastomeermaterialen van harde, vlakke oppervlakken in moeilijk bereikbare gebieden, zoals siliconenverzegelingen en andere invoegmaterialen.</p>
	<p>Carbide blad voor verwijdering van voegmiddel. (Onderdeelnummer - X26125-XJ) Met carbide gecoat oppervlak dat ideaal is voor het verwijderen van voegmiddel en tegellijm van vlakke oppervlakken en voor snelle verwijdering van hout, spaanplaat en glasvezel.</p>
	<p>Carbide rasp. (Onderdeelnummer - X26130-XJ) Met carbide gecoat oppervlak dat ideaal is voor het verwijderen van voegmiddel en voor snelle verwijdering van kunststoffen, spaanplaat en glasvezel.</p>
	<p>Schuurpapier. Verschillende gradaties voor het schuren van hout en geverfde en geverniste oppervlakken.</p>

Montage

De accessoires aanbrengen en verwijderen (fig. A - F)

Warning! Ontkoppel voordat u een accessoire aansluit, het gereedschap van de netvoeding.

Een BLACK+DECKER- / Piranha-accessoire aanbrengen (fig. A - C)

- ◆ Houd het gereedschap vast en druk de klemhendel voor accessoires in (3).

- ◆ Schuif de accessoire (8) tussen de schacht en de accessoirehouder, waarbij u ervoor zorgt dat de accessoire ingrijpt op alle acht pinnen op de houder, en evenwijdig staat met de schacht.
- ◆ Laat de klemhendel voor accessoires los.

Opmerking: Sommige accessoires, zoals schrapers en zaagbladen, kunnen indien nodig onder een hoek worden gemonteerd (fig. C).

Een BLACK+DECKER- / Piranha-accessoire verwijderen (fig. A - C)

- ◆ Houd het gereedschap vast en druk de klemhendel voor accessoires in (3).
- ◆ Verwijder de accessoire uit het gereedschap; zorg er hierbij voor dat de accessoire loskomt van alle acht pinnen op de houder.
- ◆ Laat de klemhendel voor accessoires los.

Waarschuwing: Draag handschoenen tijdens het verwijderen van accessoires, omdat deze tijdens het gebruik mogelijk heet zijn geworden.

Schuurpapier plaatsen (fig. D)

- ◆ Leg het schuurpapier (9) gelijk met de schuurzool (4) zoals weergegeven.
- ◆ Druk het schuurpapier goed en gelijkmatig op de schuurzool; zorg er daarbij voor dat de gaten in het papier aansluiten op de gaten in de zool.

Schuurpapier verwijderen

- ◆ Verwijder het schuurpapier van de schuurzool (4).

Waarschuwing! Gebruik de schuurzool nooit zonder dat er schuurpapier of accessoires zijn geplaatst.

De stofzuigingsadapter (fig. E) plaatsen

- ◆ Richt de stofzuigingsadapter (5) op de schuurzool (4) zoals weergegeven.
- ◆ Druk de adapter gelijkmatig en stevig in de schuurzool.
- ◆ Maak de adapter vast door de borgmoer (12) naar rechts te draaien.
- ◆ Sluit een stofzuiger aan op de stofzuigingsadapter.

De stofzuigingsadapter verwijderen

- ◆ Draai de borgmoer (12) linksom.
- ◆ Trek de stofzuigingsadapter (5) uit de schuurzool (4).

Alternatieve hulpstukken bevestigen (fig. F)

- ◆ Plaats de pasring (6) op de kop (10).
- ◆ Plaats de alternatieve accessoire (11) op de kop (10).
- ◆ Draai de bevestigingsbout (7) stevig vast om ervoor te zorgen dat de alternatieve accessoire stevig vastzit (11).

Opmerking: De pasring en bevestigingsbout worden niet gebruikt voor het bevestigen van BLACK+DECKER-accessoires. BLACK+DECKER-accessoires worden bevestigd met de Super-lok™ klemhendel voor accessoires, waarbij geen gereedschap nodig is.

Gebruik

Waarschuwing! Laat het gereedschap in zijn eigen tempo werken. Niet overbelasten.

Waarschuwing! Controleer waar zich bedrading en leidingen bevinden voordat u in muren, vloeren of plafonds zaagt.

Snelheidsregelaar (fig. G)

Met de snelheidsregelaar kunt u de snelheid van het gereedschap aanpassen aan de toepassing.

- ◆ Zet de knop voor variabele snelheid (2) op de gewenste instelling. Bij instelling 1 werkt het gereedschap op lage snelheid, 10.000 min⁻¹. Bij instelling 6 werkt het gereedschap op de maximumsnelheid, 22.000 min⁻¹.

In- en uitschakelen (fig. H)

- ◆ Schuif de aan/uit-schakelaar (1) vooruit naar stand I om het gereedschap in te schakelen.
- ◆ Schuif de aan/uit-schakelaar (1) achteruit naar positie O om het apparaat uit te schakelen.

Tips voor optimaal gebruik

- ◆ Houd het gereedschap altijd stevig vast. Voor precisiewerk houdt u het gereedschap verder naar voren vast.
- ◆ Klem het werkstuk wanneer mogelijk vast, vooral wanneer u snijbladen gebruikt.
- ◆ Voer niet te veel druk op de machine uit.
- ◆ Gebruik altijd het juiste type hulpstuk voor het werkstukmateriaal en het type zaagsnede.
- ◆ Controleer regelmatig de staat van de accessoires. Vervang deze indien nodig.
- ◆ Markeer het gewenste startpunt.
- ◆ Schakel het gereedschap in en breng de hulpstukken langzaam in contact met het werkstuk, op het gewenste startpunt.
- ◆ Klem een stuk multiplex of zacht hout vast aan de achterzijde van het werkstuk en zaag door de combinatie om een scherpe snede te krijgen.
- ◆ Forceer het snijvlak niet in het werkstuk. Let erop dat het snijden van metaalplaat normaal gesproken meer tijd kost dan het zagen van dikkere werkstukken van hout.
- ◆ Wanneer u metaal snijdt, moet u een dunne laag olie over de snijlijn verspreiden voordat u snijdt.
- ◆ Gebruik een extra fijne korrel bij het schuren van een nieuwe verflaag voordat een volgende verflaag wordt aangebracht.

- ◆ Begin op zeer oneffen oppervlakken of bij het verwijderen van verflagen met een grove korrel. Begin op andere oppervlakken met een mediumkorrel. Ga in beide gevallen geleidelijk aan over op een fijne korrel voor een gladde afwerking.
- ◆ Informeer bij uw detailhandel voor meer informatie over de verkrijgbare accessoires.



Gescheiden inzameling van gebruikte producten en verpakkingsmaterialen maakt het mogelijk materialen te recyclen en opnieuw te gebruiken. Hergebruik van gerecycleerde materialen zorgt voor minder milieuvervuiling en dringt de vraag naar grondstoffen terug.

Onderhoud

Uw BLACK+DECKER-gereedschap/-apparaat (met netsnoer/snoerloos) is ontworpen om gedurende langere tijd te functioneren met een minimum aan onderhoud. U kunt het gereedschap naar volle tevredenheid blijven gebruiken als u voor correct onderhoud zorgt en het gereedschap regelmatig schoonmaakt.

Waarschuwing! Doe altijd het volgende voordat u onderhouds- of reinigingswerkzaamheden aan het gereedschap (met snoer/snoerloos) uitvoert.

- ◆ Schakel het gereedschap/apparaat uit en trek de stekker uit het stopcontact.
- ◆ Als het gereedschap/apparaat een afzonderlijke accu heeft, schakelt u het gereedschap/apparaat uit en haalt u de accu eruit.
- ◆ Als de accu is ingebouwd, laat u deze volledig ontladen. Schakel dan het apparaat uit.
- ◆ Reinig regelmatig de ventilatieopeningen van het gereedschap/apparaat/lader met een zachte borstel of droge doek.
- ◆ Reinig de behuizing van de motor regelmatig met een vochtige doek. Gebruik geen schuur- of oplosmiddel.

Netstekker vervangen (alleen Verenigd Koninkrijk en Ierland)

Als er een nieuwe netstekker moet worden aangebracht:

- ◆ Gooi de oude stekker op verantwoorde wijze weg.
- ◆ Verbind de bruine draad met de spannings-/fasepool in de nieuwe stekker.
- ◆ Verbind de blauwe draad met de nul-/neutraalpool.

Waarschuwing! De aardepool hoeft niet te worden aangesloten. Volg de bevestigingsinstructies die met hoogwaardige stekkers worden meegeleverd. Aanbevolen zekering: 5 A.

Milieu



Aparte inzameling. Dit product mag niet met normaal huishoudelijk afval worden weggegooid.

Mocht u op een dag constateren dat het BLACK+DECKER-product aan vervanging toe is of dat u het apparaat niet meer nodig hebt, gooi het product dan niet bij het restafval. Het product valt onder de categorie voor elektrische apparaten.

Plaatselijke verordeningen kunnen voorzien in gescheiden inzameling van huishoudelijke elektrische producten via gemeentelijke stortplaatsen of via de leverancier bij wie u een nieuw product aanschafft.

BLACK+DECKER biedt de mogelijkheid tot het recyclen van afgedankte BLACK+DECKER-producten. Om gebruik te maken van deze service, dient u het product naar een van onze servicecentra te sturen, die de inzameling voor ons verzorgen.

U kunt het adres van het dichtstbijzijnde BLACK+DECKER-servicecentrum opvragen via de adressen op de achterzijde van deze handleiding. U kunt ook een lijst van BLACK+DECKER-servicecentra en meer informatie m.b.t. onze klantenservice vinden op internet op: www.2helpU.com

Technische gegevens

		MT300 (Type 1)	MT280 (Type 1)
Spanning	V_{AC}	230	230
Onbelast toerental	toeren/ minuut ⁻¹	10,000-22,000	10,000-22,000
Oscillatiehoek	Graden	1,4 of 2,8	1,4 of 2,8
Vermogen	W	300	280
Gewicht	kg	1.53	1.53

Geluidsrukniveau volgens EN 60745:

Geluidsdruk (L_{pA}) 90 dB(A), meetonzekerheid (K) 3 dB(A)

Geluidsvermogen (L_{WA}) 101 dB(A), meetonzekerheid (K) 3 dB(A)

Totale trillingswaarden (som triaxvector) volgens EN 60745:

In hout zagen ($a_{h,CW}$) 4.5 m/s², meetonzekerheid (K) 1,5 m/s²

In metaal zagen ($a_{h,CW}$) 10.3 m/s², meetonzekerheid (K) 1,5 m/s²

Schuren (a_h) 11.4 m/s², meetonzekerheid (K) 1,5 m/s²

EG-conformiteitsverklaring

MACHINERICHTLIJN



MT300, MT280 oscillerend gereedschap

Black & Decker verklaart dat deze producten, die zijn beschreven onder "Technische gegevens", voldoen aan:
2006/42/EC, EN 60745-1:2009 +A11:2010,
EN 60745-2-4:2009 +A11:2011

Deze producten voldoen tevens aan richtlijn 2004/108/EG (tot 19/04/2016) 2014/30/EU (vanaf 20/04/2016) en 2011/65/EU. Neem voor meer informatie contact op met Black & Decker op het volgende adres of raadpleeg de achterzijde van de handleiding.

Ondergetekende is verantwoordelijk voor de compilatie van het technische bestand en geeft deze verklaring namens Black & Decker af.

R.Laverick
Director of Engineering
Black & Decker Europe, 210 Bath Road, Slough,
Berkshire, SL1 3YD
Verenigd Koninkrijk
20/10/2015

Garantie

Black & Decker heeft vertrouwen in haar producten en biedt een uitstekende garantie. Deze garantiebepalingen vormen een aanvulling op uw wettelijke rechten en beperken deze niet. De garantie geldt in de lidstaten van de Europese Unie en de Europese Vrijhandelsassociatie.

Mocht uw Black & Decker product binnen 24 maanden na de datum van aankoop defect raken ten gevolge van materiaal- of constructiefouten, dan garanderen wij de kosteloze vervanging van defecte onderdelen, de reparatie van het product of de vervanging van het product, tenzij:

- ◆ Het product is gebruikt voor handelsdoeleinden, professionele toepassingen of verhuurdoeleinden.
- ◆ Het product onoordeelkundig is gebruikt.
- ◆ Het product is beschadigd door invloeden van buitenaf of door een ongeval.
- ◆ Reparaties zijn uitgevoerd door anderen dan onze servicecentra of Black & Decker-personeel.

Om een beroep te doen op de garantie, dient u een aankoopbewijs te overhandigen aan de verkoper of een van onze servicecentra. U kunt het adres van het dichtstbijzijnde Black & Decker-servicecentrum opvragen via de adressen op de achterzijde van deze handleiding. U kunt ook een lijst van Black & Decker-servicecentra en meer informatie m.b.t. onze klantenservice vinden op internet op: www.2helpU.com

Meld u aan op onze website www.blackanddecker.nl om te worden geïnformeerd over nieuwe producten en speciale aanbiedingen. Verdere informatie over het merk BLACK+DECKER en onze producten vindt u op www.blackanddecker.nl.

Uso específico

La herramienta oscilante BLACK+DECKER MT280, MT300 ha sido diseñada para diversas aplicaciones de bricolaje, tales como operaciones de lijado. También es apropiada para cortar materiales de madera, plástico, yeso, metales no ferrosos y elementos de sujeción (p. ej. clavos sin endurecer, grapas), trabajar con azulejos blandos y para raspar pequeñas superficies. Esta herramienta está pensada únicamente para uso doméstico.

Instrucciones de seguridad

Advertencias de seguridad generales para herramientas eléctricas



¡Atención! Lea todas las advertencias e instrucciones de seguridad. En caso de no atenerse a las siguientes advertencias e instrucciones de seguridad, podría producirse una descarga eléctrica, incendio o lesión grave.

Guarde todas las advertencias e instrucciones para futuras consultas. El término "herramienta eléctrica" empleado en las advertencias se refiere a la herramienta eléctrica con alimentación de red (con cable) o a la herramienta eléctrica alimentada por batería (sin cable).

1. Seguridad del área de trabajo

- a. **Mantenga limpia y bien iluminada el área de trabajo.** El desorden o una iluminación deficiente en las áreas de trabajo puede provocar accidentes.
- b. **No utilice la herramienta eléctrica en un entorno con peligro de explosión, en el que se encuentren líquidos, gases o material en polvo inflamables.** Las herramientas eléctricas producen chispas que pueden llegar a inflamar el polvo o los vapores.
- c. **Cuando utilice la herramienta eléctrica, mantenga alejados a los niños y a otras personas del área de trabajo.** Una distracción le puede hacer perder el control sobre la herramienta.

2. Seguridad eléctrica

- a. **El enchufe de la herramienta eléctrica debe corresponder a la toma de corriente utilizada. No modifique el enchufe. No emplee adaptadores en herramientas eléctricas dotadas con toma de tierra.** Estas pautas le ayudarán a reducir el riesgo de descargas eléctricas.
- b. **Evite tocar partes conectadas a tierra como tuberías, radiadores, cocinas y refrigeradores.** El riesgo de descarga eléctrica es mayor si el usuario entra en contacto con elementos conectados a tierra.

- c. **No exponga las herramientas eléctricas a la lluvia y evite que penetren líquidos en su interior,** ya que existe el peligro de recibir una descarga eléctrica.
- d. **Cuide el cable de alimentación. No lo utilice para transportar o colgar la herramienta eléctrica, ni tire de él para sacar el enchufe de la toma de corriente. Manténgalo alejado del calor, aceite, bordes afilados o piezas móviles.** Los cables de red dañados o enredados incrementan el riesgo de descarga eléctrica.
- e. **Si trabaja con la herramienta eléctrica en el exterior, utilice solamente cables de prolongación homologados para uso en exteriores.** Esto le ayudará a reducir el riesgo de descarga eléctrica.
- f. **Si la utilización de una herramienta eléctrica en un lugar húmedo es inevitable, utilice una fuente protegida con un dispositivo de corriente residual (RCD).** La utilización de un RCD reduce el riesgo de sufrir descargas eléctricas.

3. Seguridad personal

- a. **Esté atento a lo que hace y utilice la herramienta eléctrica con prudencia. No la use si está cansado, ni si se encuentra bajo los efectos del alcohol, drogas o medicamentos.** Si desatiende la herramienta, aunque sea durante unos instantes, puede haber riesgo de lesiones graves.
- b. **Utilice material de protección personal. Utilice siempre gafas de protección.** El riesgo de lesiones se reduce considerablemente si se utiliza material de protección adecuado como una mascarilla antipolvo, zapatos de seguridad con suela antideslizante, casco o protectores auditivos.
- c. **Impida que la herramienta se ponga en marcha accidentalmente. Asegúrese de que el interruptor de encendido/apagado se encuentre en la posición de apagado antes de conectar la herramienta a la fuente de alimentación o a la batería, o de coger o transportar la herramienta.** Transportar la herramienta eléctrica con el dedo sobre el interruptor o enchufarla con el interruptor encendido puede provocar accidentes.
- d. **Retire las herramientas de ajuste o llaves fijas antes de conectar la herramienta eléctrica.** Una herramienta o llave colocada en una pieza giratoria de la herramienta puede producir lesiones al ponerse ésta en marcha.
- e. **Sea precavido. Evite adoptar una posición que fatigue su cuerpo; mantenga un apoyo firme sobre el suelo y conserve el equilibrio en todo momento.** Ello le permitirá controlar mejor la herramienta eléctrica en caso de presentarse una situación inesperada.
- f. **Vístase con la ropa adecuada. No lleve ropa holgada ni joyas. Aleje el pelo, la ropa y los guantes de las piezas móviles.** La ropa holgada, las joyas y el pelo largo se pueden enganchar con las piezas en movimiento.

- g. **Siempre que sea posible utilizar unos equipos de aspiración o captación de polvo, asegúrese de que éstos estén montados y que sean utilizados correctamente.** El empleo de estos equipos reduce los riesgos derivados del polvo.
4. **Uso y cuidado de herramientas eléctricas**
- a. **No sobrecargue la herramienta eléctrica. Use la herramienta adecuada para cada aplicación.** Con la herramienta eléctrica adecuada podrá trabajar mejor y más seguro dentro del margen de potencia indicado.
- b. **No utilice herramientas eléctricas con un interruptor defectuoso.** Las herramientas eléctricas que no se puedan conectar o desconectar son peligrosas y deben hacerse reparar.
- c. **Desconecte de la herramienta eléctrica el enchufe de la fuente de alimentación y de la batería antes de realizar cualquier ajuste, cambiar accesorios o guardar la herramienta.** Esta medida preventiva reduce el riesgo de encender accidentalmente la herramienta eléctrica.
- d. **Guarde las herramientas eléctricas fuera del alcance de los niños y de las personas que no estén familiarizadas con su uso.** Las herramientas eléctricas utilizadas por personas inexpertas son peligrosas.
- e. **Cuide sus herramientas eléctricas con esmero. Controle si funcionan correctamente, sin atascarse, las partes móviles de la herramienta eléctrica, y si existen partes rotas o deterioradas que pudieran afectar al funcionamiento de la herramienta. Si la herramienta eléctrica estuviese defectuosa haga que la reparen antes de volver a utilizarla.** Muchos accidentes se deben a herramientas eléctricas con un mantenimiento deficiente.
- f. **Mantenga las herramientas de corte limpias y afiladas.** Las herramientas de corte que se mantienen correctamente se dejan guiar y controlar mejor.
- g. **Utilice la herramienta eléctrica, los accesorios, los útiles de la herramienta, etc. de acuerdo con estas instrucciones, y tenga en cuenta las condiciones de trabajo y la tarea a realizar.** El uso de herramientas eléctricas para trabajos diferentes de aquellos para los que han sido concebidas puede resultar peligroso.
5. **Servicio técnico**
- a. **Esta herramienta eléctrica sólo la puede reparar personal técnico autorizado que emplee exclusivamente piezas de repuesto originales.** Solamente así se garantiza la seguridad de la herramienta eléctrica.

- ◆ **Sujete la herramienta eléctrica por la superficie de agarre protegida cuando realice una operación en la que el accesorio de corte pueda entrar en contacto con cableado oculto o con su propio cable.** El contacto del accesorio de corte con un cable conectado a la red eléctrica podría hacer que las partes metálicas de la herramienta transmitieran esa electricidad y producir una descarga al usuario
- ◆ **Utilice pinzas u otro método práctico para asegurar y sujetar la pieza de trabajo a una plataforma estable.** Si sostiene la pieza con la mano o contra el cuerpo hay posibilidades de que pierda el control.



¡Atención! El contacto o la inhalación del polvo procedente de la lijadora puede suponer un peligro para la salud del usuario y de cualquier otra persona que se encuentre a su alrededor. Utilice una mascarilla diseñada específicamente para proteger contra el polvo y los vapores, y asegúrese de que las demás personas que se encuentren dentro o vayan a entrar en el área de trabajo también estén protegidas.

- ◆ Elimine a fondo todo el polvo después de lijar.
- ◆ Tenga especial cuidado cuando lije pinturas con posible contenido de plomo o algunos tipos de maderas y metales que puedan producir polvo tóxico.
 - ◆ No permita la entrada de niños ni de mujeres embarazadas al área de trabajo.
 - ◆ No ingiera alimentos ni bebidas, ni fume en el área de trabajo.
 - ◆ Deshágase de las partículas de polvo y demás residuos de un modo seguro.
- ◆ En este manual de instrucciones se describe el uso para el que se ha diseñado el aparato. La utilización de accesorios o la realización de operaciones con esta herramienta distintas de las recomendadas en este manual de instrucciones puede implicar un riesgo de lesiones o daños materiales.
- ◆ El accesorio seguirá moviéndose después de soltar el interruptor. Apague la herramienta y espere siempre a que el accesorio se detenga completamente antes de dejar la herramienta.
- ◆ **Mantenga las manos alejadas de la zona de corte.** No ponga nunca la mano bajo la pieza de trabajo. No introduzca los dedos en los alrededores de la cuchilla de vaivén ni en el enganche de ésta. No establezca la sierra agarrando la zapata.
- ◆ **Mantenga las cuchillas afiladas.** Las hojas flojas o dañadas pueden provocar que la sierra dé un viraje brusco o se paralice al ejercer la presión para el corte. Utilice siempre el tipo de hoja de sierra apropiado para cada material de trabajo y tipo de corte.



¡Atención! Advertencias de seguridad adicionales para herramientas oscilantes

- ◆ Al cortar una cañería o tubo, asegúrese de que no contiene restos de agua, cableado eléctrico, etc.
- ◆ No toque la pieza de trabajo o la hoja justo después de utilizar la herramienta. Pueden alcanzar temperaturas muy elevadas.
- ◆ Tenga en cuenta los peligros ocultos, antes de serrar paredes, suelos o techos, compruebe la ubicación de los cables y tubos.

Seguridad de terceros

- ◆ Ninguna persona (incluyendo niños) con capacidades físicas, sensoriales o mentales disminuidas, o que carezca de experiencia y conocimientos debe utilizar este aparato, salvo que haya recibido supervisión o formación con respecto al uso del aparato por parte de una persona responsable de su seguridad.
- ◆ Los niños deben vigilarse en todo momento para garantizar que el aparato no se toma como elemento de juego.

Riesgos residuales.

El uso de esta herramienta puede producir riesgos residuales adicionales no incluidos en las advertencias de seguridad adjuntas. Estos riesgos se pueden generar por un uso incorrecto, demasiado prolongado, etc.

El cumplimiento de las normas de seguridad correspondientes y el uso de dispositivos de seguridad no evitan ciertos riesgos residuales. Estos riesgos incluyen:

- ◆ Lesiones producidas por el contacto con piezas móviles o giratorias.
- ◆ Lesiones producidas al cambiar cualquier pieza, cuchilla o accesorio.
- ◆ Lesiones producidas al usar una herramienta por un tiempo demasiado prolongado. Si utiliza una herramienta durante períodos de tiempo demasiado prolongados, asegúrese de realizar pausas con frecuencia.
- ◆ Discapacidad auditiva.
- ◆ Riesgos para la salud producidos al respirar el polvo que se genera al usar la herramienta (por ejemplo: en los trabajos con madera, especialmente de roble, haya y tableros de densidad mediana).

Vibración

El valor de emisión de vibraciones declarado en el apartado de características técnicas y en la declaración de conformidad se ha calculado según un método de prueba estándar proporcionado por la norma EN 60745 y puede utilizarse para comparar una herramienta con otra. El valor de emisión de vibraciones especificado también podrá utilizarse en una evaluación preliminar de la exposición.

¡Atención! El valor de emisión de vibraciones durante el funcionamiento real de la herramienta eléctrica puede diferir del valor declarado en función de cómo se utilice dicha herramienta. El nivel de las vibraciones puede superar el indicado.

Al evaluar la exposición a las vibraciones con el fin de determinar las medidas de seguridad que exige la norma 2002/44/CE para proteger a las personas que utilizan periódicamente herramientas eléctricas en el entorno laboral, deberá tenerse en cuenta una estimación de la exposición a las vibraciones, las condiciones de uso reales y el modo de empleo de la herramienta, así como los pasos del ciclo operativo como, por ejemplo, el número de veces que la herramienta se apaga, el tiempo que está parada y el tiempo de activación.

Etiquetas en la herramienta

Junto con el código de la fecha, en la herramienta aparecen los siguientes símbolos :



¡Atención! Para reducir el riesgo de lesiones, el usuario debe leer el manual de instrucciones.



¡Atención! Utilice en todo momento una mascarilla contra el polvo cuando utilice esta herramienta.

Seguridad eléctrica



La herramienta lleva un doble aislamiento; por lo tanto, no requiere una toma a tierra. Compruebe siempre que la tensión de la red corresponda con el valor indicado en la placa de datos de la herramienta.

- ◆ Si el cable de alimentación está dañado, debe ser sustituido por el fabricante o en un centro de asistencia técnica autorizado de BLACK+DECKER para evitar cualquier situación de riesgo.

Características

Esta herramienta presenta una o más de las siguientes características.

1. Interruptor de encendido/apagado
2. Mando de velocidad variable
3. Palanca de sujeción accesoria sin herramienta Super-lok™
4. Base de lijado
5. Adaptador de extracción de polvo
6. Adaptador accesorio de herramienta (separador)
7. Adaptador accesorio de herramienta (perno de fijación)

Accesorios

Esta herramienta incluye uno o más de los siguientes accesorios.

El adecuado funcionamiento de la herramienta depende de los accesorios que utilice. Los accesorios Piranha y BLACK+DECKER se han fabricado siguiendo estándares de alta calidad y se han diseñado para mejorar el funcionamiento de la herramienta. Al utilizar estos accesorios, conseguirá el máximo rendimiento de la herramienta.

	<p>Hoja de sierra de corte de precisión para materiales de madera y plásticos blandos. (Número de pieza: X26105-XJ)</p> <p>Separación, corte directo y corte detallado de madera y plásticos blandos. Ideal para trabajar en puertas, zócalos, alféizares y suelos.</p>
	<p>Hoja de sierra de corte directo para madera y metal. (Número de pieza: X26110-XJ)</p> <p>Separación, corte directo y corte detallado de madera, plásticos, tuberías no ferrosas de paredes delgadas y extrusiones, clavos y tornillos.</p>
	<p>Hoja de sierra de corte directo para madera y metal. (Número de pieza: X26115-XJ)</p> <p>Separación, corte directo y corte detallado de madera, plásticos, tuberías no ferrosas de paredes delgadas y extrusiones.</p>
	<p>Hoja de sierra segmentada. (Número de pieza: X26120-XJ)</p> <p>Hoja de duración prolongada ideal para el corte de madera, plásticos, materiales ferrosos y no ferrosos de paredes delgadas.</p>
	<p>Raspador rígido. (Número de pieza: X26135-XJ)</p> <p>Ideal para eliminar materiales duros y blandos de superficies planas como suelos de vinilo, adhesivo de moquetas, adhesivo de baldosas, lechada, pintura y barniz.</p>

	<p>Raspador flexible. (Número de pieza: X26140-XJ)</p> <p>Ideal para eliminar materiales de elastómero de superficies planas duras en zonas difícilmente accesibles como selladores de silicona y otros materiales para enmasillar.</p>
	<p>Hoja para eliminar lechada de carburo. (Número de pieza: X26125-XJ)</p> <p>Superficie cubierta de carburo ideal para eliminar lechada y adhesivo de baldosas y azulejos de superficies planas y para eliminar rápidamente restos de madera, aglomerado y fibra de vidrio.</p>
	<p>Raspador de carburo. (Número de pieza: X26130-XJ)</p> <p>Superficie cubierta de carburo ideal para eliminar lechada y para eliminar rápidamente restos de plásticos, aglomerado y fibra de vidrio.</p>
	<p>Hojas de lijado.</p> <p>Varios grados para lijar madera y superficies pintadas y barnizadas.</p>

Montaje

Montaje y desmontaje de los accesorios (figs. A - F)
¡Atención! Antes de colocar un accesorio, desconecte la herramienta de la toma de corriente.

Montaje de un accesorio BLACK+DECKER/Pirinha (figs. A - C)

- ◆ Sujete la herramienta y pulse la palanca de sujeción accesorio (3).
- ◆ Deslice el accesorio (8) entre el eje y el soporte del accesorio asegurándose de que el accesorio se ajusta a los ocho pasadores del soporte y está nivelado con el eje.
- ◆ Suelte la palanca de sujeción accesorio.

Nota: Es posible montar algunos accesorios, como los raspadores y las hojas, en ángulo si fuera necesario (fig. C).

Extracción de un accesorio BLACK+DECKER/Piranha (fig. A)

- ◆ Sujete la herramienta y pulse la palanca de sujeción accesoria (3).
- ◆ Tire del accesorio desde la herramienta asegurándose de que el accesorio se desajusta de los ocho pasadores del soporte.
- ◆ Suelte la palanca de sujeción accesoria.

Atención: Se deben llevar guantes cuando se extraen accesorios, ya que se pueden calentar durante el uso.

Montaje de una hoja de lija (fig. D)

- ◆ Alinee la hoja de lija (9) con la base de lijado (4) tal como se muestra.
- ◆ Coloque la hoja de lija firme y uniformemente sobre la base de lijado, asegurándose de que los orificios de la hoja coincidan con los de la base.

Extracción de una hoja de lija

- ◆ Tire de la hoja de lija hacia fuera de la base de lijado (4).

¡Atención! No use nunca la base de lijado sin la hoja de lija o el accesorio en su sitio.

Colocación del adaptador de extracción de polvo (fig. E)

- ◆ Alinee el adaptador de extracción de polvo (5) con la base de lijado (4) tal como se muestra.
- ◆ Presione el adaptador firme y uniformemente en la base de lijado.
- ◆ Fije el adaptador girando la tuerca de bloqueo (12) en el sentido de las agujas del reloj.
- ◆ Conecte una manguera de la aspiradora al adaptador de extracción de polvo.

Extracción del adaptador de extracción de polvo

- ◆ Gire la tuerca de bloqueo (12) en sentido contrario al de las agujas del reloj.
- ◆ Tire del adaptador de extracción de polvo (5) hacia afuera de la base de lijado (4).

Ajuste de los accesorios alternativos (fig. F)

- ◆ Coloque el separador (6) en el collar (10).
- ◆ Coloque el accesorio alternativo (11) en el collar (10).
- ◆ Coloque firmemente el perno de fijación (7) en su lugar para garantizar un ajuste seguro del accesorio alternativo (11).

Nota: El separador y el perno de fijación no se utilizan para colocar accesorios BLACK+DECKER. Los accesorios BLACK+DECKER se colocan utilizando la palanca de sujeción accesoria sin herramienta Super-lok™.

Uso

¡Atención! Deje que la herramienta funcione a su ritmo. No la sobrecargue.

¡Atención! Antes de cortar en paredes, suelos o techos, compruebe la ubicación de cables y tuberías.

Control de la velocidad variable (fig. G)

El control de la velocidad variable permite adaptar la velocidad de la herramienta a la aplicación.

- ◆ Ajuste el mando de velocidad variable (2) en el ajuste deseado. En el ajuste 1 la herramienta funcionará a una velocidad baja, de 10.000 min⁻¹. En el ajuste 6 la herramienta funcionará a la máxima velocidad, a 22.000 min⁻¹.

Encendido y apagado (fig. H)

- ◆ Para encender la herramienta, deslice el interruptor de encendido/apagado (1) hacia delante (posición I).
- ◆ Para apagar la herramienta, deslice el interruptor de encendido/apagado (1) hacia atrás (posición O).

Consejos para un uso óptimo

- ◆ Sujete siempre la herramienta de forma segura. Para realizar trabajos de precisión, sujete la herramienta cerca de la parte delantera.
- ◆ Sujete la pieza de trabajo siempre que sea posible, especialmente cuando utilice hojas de corte.
- ◆ No ejerza demasiada presión sobre la herramienta.
- ◆ Utilice siempre el tipo de accesorio apropiado para cada tipo de material de trabajo y corte.
- ◆ Compruebe periódicamente el estado de los accesorios. Sustitúyalos cuando sea necesario.
- ◆ Marque el lugar por donde vaya a empezar a trabajar que desee.
- ◆ Encienda la herramienta e introduzca poco a poco los accesorios en la pieza de trabajo en el lugar por donde vaya a empezar a trabajar que desee.
- ◆ Para obtener un corte limpio, sujete una plancha de contrachapado o madera suave a la parte posterior de la pieza de trabajo y sierre el conjunto.
- ◆ No fuerce la hoja de corte en la pieza de trabajo. Tenga en cuenta que, por lo general, cortar planchas de metal le llevará más tiempo que serrar piezas de trabajo de madera más delgadas.
- ◆ Cuando corte metales, extienda una película fina de aceite a lo largo de la línea de corte antes de efectuar el corte.
- ◆ Para lijar capas de pintura nuevas antes de aplicar otra capa, utilice un papel de lija de grano extrafino.
- ◆ En superficies muy desiguales o cuando vaya a quitar capas de pintura, comience con un papel de lija de grano grueso. Sobre otras superficies, comience con un papel de lija de grano medio. En ambos casos, cambie gradualmente a un papel de lija de grano fino para lograr un buen acabado.
- ◆ Consulte a su proveedor para obtener más información sobre los accesorios que están a la venta.

Mantenimiento

Este aparato o herramienta con o sin cable de BLACK+DECKER se ha diseñado para que funcione durante un largo período de tiempo con un mantenimiento mínimo. El funcionamiento satisfactorio continuado depende de un cuidado apropiado y una limpieza periódica de la herramienta.

¡Atención! Antes de realizar el mantenimiento de herramientas eléctricas con o sin cables:

- ◆ Apague y desenchufe el aparato o herramienta.
- ◆ O bien, apague y extraiga las pilas o la batería del aparato o herramienta, en caso de que disponga de una batería separada.
- ◆ O bien, deje que la batería se agote por completo si es integral y, a continuación, apague el aparato.
- ◆ Limpie periódicamente las ranuras de ventilación de la herramienta, aparato o cargador con un cepillo suave o un paño seco.
- ◆ Limpie periódicamente la carcasa del motor con un paño húmedo. No utilice limpiadores de base abrasiva o disolventes.

Sustitución del enchufe de la red eléctrica (sólo para el Reino Unido e Irlanda)

Si es necesario colocar un nuevo enchufe para la red eléctrica:

- ◆ Deseche el enchufe anterior según las normas de seguridad.
- ◆ Conecte el cable marrón al terminal conductor del nuevo enchufe.
- ◆ Conecte el cable azul al terminal neutro.

¡Atención! No se debe realizar ninguna conexión al terminal de conexión a tierra. Siga las instrucciones de montaje que se suministran con los enchufes de buena calidad. Fusible recomendado: 5 A.

Protección del medio ambiente



Recogida selectiva. No se debe desechar este producto con el resto de residuos domésticos.

Si llegase el momento en que fuese necesario sustituir su producto BLACK+DECKER o si este dejase de tener utilidad para usted, no lo deseche junto con los residuos domésticos. Sepárelo para su recogida selectiva.



La recogida selectiva de productos y embalajes usados permite el reciclaje de materiales y su reutilización.

La reutilización de materiales reciclados contribuye a evitar la contaminación medioambiental y reduce la demanda de materias primas.

Las normativas municipales deben ofrecer la recogida selectiva de productos eléctricos del hogar, en puntos municipales previstos para tal fin o a través del distribuidor cuando adquiera un nuevo producto.

BLACK+DECKER proporciona facilidades para la recogida y reciclado de los productos BLACK+DECKER que han llegado al final de su vida útil. Para poder utilizar este servicio, le rogamos que entregue el producto a cualquier agente de servicio técnico autorizado para que se haga cargo de él en nuestro nombre.

Puede consultar la dirección de su agente de servicio técnico más cercano si se pone en contacto con la oficina local de BLACK+DECKER en la dirección que se indica en este manual. Como opción alternativa, puede consultar la lista de los agentes de servicio técnico autorizados de BLACK+DECKER y obtener la información completa de nuestros servicios de posventa y los contactos disponibles en la siguiente dirección de Internet: www.2helpU.com

Ficha técnica

		MT300 (Tipo 1)	MT280 (Tipo 1)
Voltaje	V_{AC}	230	230
Velocidad sin carga	min^{-1}	10,000-22,000	10,000-22,000
Ángulo de oscilación	Grados	1,4 ó 2,8	1,4 ó 2,8
Potencia	W	300	280
Peso	kg	1.53	1.53

Nivel de presión acústica de acuerdo con la directiva EN 60745:

Presión acústica (L_{pA}) 90 dB(A), incertidumbre (K) 3 dB(A)

Potencia acústica (L_{WA}) 101 dB(A), incertidumbre (K) 3 dB(A)

Valores totales de vibración (suma vectorial triaxial) de acuerdo con la directiva EN 60745:

Corte de madera ($a_{h,CW}$) 4.5 m/s^2 , incertidumbre (K) 1,5 m/s^2

Corte de metal ($a_{h,CM}$) 10.3 m/s^2 , incertidumbre (K) 1,5 m/s^2

Cincoelado (a_R) 11.4 m/s^2 , incertidumbre (K) 1,5 m/s^2

Declaración de conformidad de la CE
DIRECTIVA DE MAQUINARIAS



MT300, MT280 herramienta oscilante

Black & Decker declara que los productos descritos en la "ficha técnica" cumplen con las siguientes directrices: 2006/42/EC, EN 60745-1:2009 +A11:2010, EN 60745-2-4:2009 +A11:2011

Estos productos también cumplen con las Directivas 2004/108/CE (hasta el 19/04/2016), 2014/30/UE (desde el 20/04/2016) y 2011/65/UE. Si desea obtener más información, póngase en contacto con Black & Decker a través de la siguiente dirección o consulte la contracubierta del manual.

La persona que firma a continuación es responsable de la elaboración del archivo técnico y realiza esta declaración en nombre de Black & Decker.

R.Laverick
Director of Engineering
Black & Decker Europe, 210 Bath Road, Slough,
Berkshire, SL1 3YD
Reino Unido
20/10/2015

Garantía

Black & Decker confía plenamente en la calidad de sus productos y ofrece una garantía extraordinaria. Esta declaración de garantía es un añadido, y en ningún caso un perjuicio para sus derechos legales. La garantía es válida dentro de los territorios de los Estados miembros de la Unión Europea y de los de la Zona Europea de Libre Comercio.

Si un producto Black & Decker resultara defectuoso debido a materiales o mano de obra defectuosos o a la falta de conformidad, Black & Decker garantiza, dentro de los 24 meses de la fecha de compra, la sustitución de las piezas defectuosas, la reparación de los productos sujetos a un desgaste y rotura razonables o la sustitución de tales productos para garantizar al cliente el mínimo de inconvenientes, a menos que:

- ◆ El producto se ha utilizado con propósitos comerciales, profesionales o de alquiler.
- ◆ El producto se ha sometido a un uso inadecuado o negligente.
- ◆ El producto ha sufrido daños causados por objetos o sustancias extrañas o accidentes.
- ◆ Se hayan realizado reparaciones por parte de personas que no sean del servicio técnico autorizado o personal de servicios de Black & Decker.

Para reclamar en garantía, será necesario que presente la prueba de compra al vendedor o al agente de servicio técnico autorizado. Puede consultar la dirección de su agente de servicio técnico más cercano si se pone en contacto con la oficina local de Black & Decker en la dirección que se indica en este manual. Como opción alternativa, puede consultar la lista de los agentes de servicio técnico autorizados de Black & Decker y obtener la información completa de nuestros servicios de posventa y los contactos disponibles en la siguiente dirección de Internet: www.2helpU.com

Visite el sitio web www.blackanddecker.es para registrar su nuevo producto BLACK+DECKER y estar al día sobre productos y ofertas especiales. Encontrará información adicional sobre la marca BLACK+DECKER y nuestra gama de productos en www.blackanddecker.es.

Utilização prevista

A ferramenta oscilante BLACK+DECKER MT280, MT300 foi concebida para aplicações de bricolage, tais como lixar. Também é adequada para cortar materiais de madeira, plástico, gesso, metais não ferrosos, elementos de fixação (pregos não temperados e cravos, por exemplo), trabalhar azulejos macios e raspar superfícies pequenas. Esta ferramenta destina-se apenas a utilização doméstica.

Instruções de segurança

Avisos de segurança gerais para ferramentas eléctricas



Atenção! Leia com atenção todos os avisos de segurança e instruções. O não cumprimento dos seguintes avisos e instruções pode resultar em choque eléctrico, incêndio e/ou graves lesões.

Guarde todos os avisos e instruções para futura referência. A expressão "ferramenta eléctrica" utilizada nos avisos refere-se à sua ferramenta eléctrica com ligação à corrente eléctrica (com cabo) ou com bateria (sem fios).

1. Segurança na área de trabalho

- Mantenha a área de trabalho limpa e bem iluminada.** Áreas desarrumadas ou mal iluminadas são propícias a acidentes.
- Não trabalhe com ferramentas eléctricas em áreas com risco de explosão, nas quais se encontrem líquidos, gases ou poeiras inflamáveis.** As ferramentas eléctricas produzem faíscas que podem provocar a ignição de poeiras ou vapores.
- Mantenha crianças e outras pessoas afastadas durante a utilização da ferramenta eléctrica.** As distrações podem dar origem a que perca o controlo da ferramenta.

2. Segurança eléctrica

- A ficha da ferramenta eléctrica deve caber na tomada. A ficha não deve ser modificada de modo algum. Não utilize quaisquer fichas adaptadoras em ferramentas eléctricas com ligação à terra.** Fichas sem modificações e tomadas adequadas reduzem o risco de choques eléctricos.
- Evite que o corpo entre em contacto com superfícies ligadas à terra, como tubos, radiadores, fogões e frigoríficos.** Existe um maior risco de choque eléctrico se o seu corpo estiver ligado à terra.
- As ferramentas eléctricas não podem ser expostas a chuva nem humidade.** A penetração de água na ferramenta eléctrica aumenta o risco de choques eléctricos.

- Manuseie o cabo com cuidado. O cabo não deve ser utilizado para transportar ou pendurar a ferramenta, nem para puxar a ficha da tomada. Mantenha o cabo afastado de calor, óleo, pontas afiadas ou partes móveis.** Cabos danificados ou torcidos aumentam o risco de choques eléctricos.
- Quando trabalhar com uma ferramenta eléctrica ao ar livre, utilize um cabo de extensão apropriado para esse fim.** A utilização de um cabo apropriado para áreas ao ar livre reduz o risco de choques eléctricos.
- Se for inevitável trabalhar com uma ferramenta eléctrica num local húmido, utilize um Dispositivo de Corrente Residual (RCD).** A utilização de um RCD reduz o risco de choque eléctrico.

3. Segurança pessoal

- Mantenha-se atento, observe o que está a fazer e seja prudente ao trabalhar com a ferramenta eléctrica. Não utilize uma ferramenta eléctrica se estiver cansado ou sob a influência de drogas, álcool ou medicamentos.** Um momento de falta de atenção durante a utilização de ferramentas eléctricas poderá causar graves lesões.
- Utilize equipamento de protecção pessoal. Use sempre óculos de protecção.** Equipamento de protecção como, por exemplo, máscara anti-poeiras, sapatos de segurança anti-derrapantes, capacete de segurança ou protecção auricular, de acordo com o tipo e a aplicação de ferramenta eléctrica, reduz o risco de lesões.
- Evite arranques involuntários. Certifique-se de que o botão está desligado antes de ligar a ferramenta à corrente eléctrica e/ou à bateria, e antes de pegar ou transportar a ferramenta.** Transportar ferramentas eléctricas com o dedo no botão ou ligar ferramentas eléctricas à tomada com o interruptor na posição de ligado pode dar origem a acidentes.
- Retire eventuais chaves de ajuste ou chaves de fenda antes de ligar a ferramenta eléctrica.** Uma chave de fenda ou chave de ajuste que se encontre numa peça em rotação da ferramenta eléctrica poderá causar lesões.
- Não se incline. Mantenha-se sempre bem posicionado e em equilíbrio.** Desta forma, será mais fácil controlar a ferramenta eléctrica em situações inesperadas.
- Utilize vestuário adequado. Não utilize roupas largas nem jóias. Mantenha o cabelo, roupa e luvas afastados de peças em movimento.** Roupas largas, jóias ou cabelos longos podem ficar presos nas peças em movimento.
- Se for prevista a montagem de dispositivos de extracção e recolha de pó, assegure-se de que estão ligados e que são utilizados de forma correcta.** A recolha das poeiras pode reduzir os riscos provocados por poeiras.

4. **Utilização e manutenção da ferramenta eléctrica**
- Não sobrecarregue a ferramenta eléctrica. Utilize a ferramenta eléctrica adequada para o trabalho pretendido.** A ferramenta eléctrica correcta realizará o trabalho de forma melhor e mais segura, com a potência com que foi concebida.
 - Não utilize a ferramenta eléctrica se o interruptor não puder ser ligado nem desligado.** Qualquer ferramenta eléctrica que não possa ser controlada com o interruptor é perigosa e terá de ser reparada.
 - Desligue a ficha da tomada e/ou a bateria da tomada antes de proceder a ajustes, trocar acessórios ou guardar ferramentas eléctricas.** Estas medidas de prevenção de segurança reduzem o risco de ligação inadvertida da ferramenta eléctrica.
 - Mantenha as ferramentas eléctricas que não estiverem a ser utilizadas fora do alcance de crianças. Não permita que a ferramenta eléctrica seja utilizada por pessoas não familiarizadas com a mesma ou que não tenham lido estas instruções.** As ferramentas eléctricas são perigosas se utilizadas por pessoas não qualificadas.
 - Efectue a manutenção das ferramentas eléctricas. Verifique se as partes móveis estão desalinhasadas ou bloqueadas, se existem peças partidas ou qualquer outra situação que possa afectar o funcionamento das ferramentas eléctricas. As peças danificadas devem ser reparadas antes da utilização da ferramenta eléctrica.** Muitos acidentes têm como causa uma manutenção insuficiente das ferramentas eléctricas.
 - Mantenha as ferramentas de corte sempre afiadas e limpas.** As ferramentas de corte com a manutenção adequada e extremidades afiadas bloqueiam com menos frequência e são mais fáceis de controlar.
 - Utilize a ferramenta eléctrica, acessórios e peças de ferramenta de acordo com estas instruções, considerando as condições de trabalho e a tarefa a ser executada.** A utilização da ferramenta eléctrica para fins diferentes dos previstos pode resultar em situações perigosas.
5. **Reparação**
- A sua ferramenta eléctrica só deve ser reparada por pessoal qualificado e só devem ser colocadas peças sobressalentes originais.** Isso garante a manutenção da segurança da ferramenta eléctrica.

- ◆ **Segure a ferramenta eléctrica pelas áreas isoladas quando executar uma operação em que o acessório de corte possa entrar em contacto com a cablagem oculta ou o seu próprio cabo.** Cortar um acessório em contacto com um cabo "electrificado" poderá expor peças metálicas do sistema eléctrico da ferramenta e provocar um choque eléctrico ao operador
- ◆ **Utilize grampos ou outro meio para fixar e apoiar a peça numa plataforma estável.** Se fixar a peça com a mão ou contra o seu corpo, a peça fica instável e pode dar origem à perda de controlo.



Atenção! O contacto ou a inalação de poeiras originadas pelas aplicações da lixadora poderá colocar em perigo a saúde do operador ou das pessoas presentes. Utilize uma máscara especificamente concebida para protecção contra poeiras e vapores e certifique-se de que as pessoas perto da área de trabalho também estão protegidas.

- ◆ Remova completamente toda a poeira depois de terminar.
- ◆ Tenha cuidados especiais quando lixar pinturas que possam conter chumbo ou algumas madeiras e metais que possam produzir poeiras tóxicas:
 - ◆ Não permita que crianças ou mulheres grávidas entrem na área de trabalho.
 - ◆ Não coma, beba ou fume na área de trabalho.
 - ◆ Elimine as partículas de poeira e outros detritos de forma segura.
- ◆ A utilização prevista para este aparelho está descrita no manual de instruções. A utilização de qualquer acessório ou a realização de qualquer operação com esta ferramenta que não se inclua no presente manual de instruções poderá representar um risco de ferimentos e/ou danos materiais.
- ◆ O acessório irá continuar a mover-se depois de desengatar o interruptor. Desligue sempre a ferramenta e aguarde até que o acessório pare completamente antes de pousar a ferramenta.
- ◆ **Mantenha as mãos afastadas da área de corte.** Nunca manuseie a parte inferior da peça de trabalho em circunstância alguma. Não introduza os dedos perto da lâmina correspondente e do grampo da lâmina. Não estabilize a serra agarrando o arrasto.
- ◆ **Mantenha as lâminas afiadas.** Lâminas embotadas ou danificadas podem desviar ou encravar a serra sob pressão. Utilize sempre o tipo apropriado de lâmina de serra para o material e tipo de corte.
- ◆ Quando cortar tubos ou condutas, certifique-se de que estes não têm água, cablagem, etc.
- ◆ Não toque na peça ou na lâmina imediatamente após utilizar a ferramenta. Podem estar muito quentes.



Atenção! Avisos de segurança adicionais para ferramentas oscilantes

- ◆ Tenha cuidado com os perigos escondidos. Antes de cortar em paredes, tectos ou chãos, verifique a localização de cablagem e tubos.

Segurança de terceiros

- ◆ Este aparelho não deve ser utilizado por pessoas (incluindo crianças) que apresentem capacidades físicas, sensoriais ou mentais reduzidas ou que não possuam os conhecimentos e a experiência necessários, excepto se forem vigiadas e instruídas acerca da utilização do aparelho por uma pessoa responsável pela sua segurança.
- ◆ As crianças deverão ser vigiadas para que não mexam no aparelho.

Riscos residuais.

Podem surgir riscos residuais adicionais durante a utilização da ferramenta que poderão não constar nos avisos de segurança incluídos. Estes riscos podem resultar de má utilização, uso prolongado, etc.

Mesmo com a aplicação dos regulamentos de segurança relevantes e com a implementação de dispositivos de segurança, alguns riscos residuais não podem ser evitados. Incluem:

- ◆ ferimentos causados pelo contacto com peças em rotação/movimento.
- ◆ ferimentos causados durante a troca de peças, lâminas ou acessórios.
- ◆ ferimentos causados pela utilização prolongada de uma ferramenta. Quando utilizar uma ferramenta por períodos prolongados, faça intervalos regulares.
- ◆ Diminuição da audição.
- ◆ Os problemas de saúde causados pela inalação de poeiras resultantes da utilização da ferramenta (exemplo: trabalhos em madeira, especialmente carvalho, faia e MDF).

Vibração

Os valores de emissão de vibração declarados na secção de dados técnicos e na declaração de conformidade foram medidos de acordo com o método de teste padrão fornecido pela norma EN 60745 e podem ser utilizados para comparar ferramentas. O valor de emissão de vibração declarado pode ainda ser utilizado numa avaliação preliminar de exposição.

Atenção! O valor de emissão de vibração durante a utilização real da ferramenta eléctrica pode ser diferente do valor declarado, dependendo da forma como a ferramenta é utilizada. O nível de vibração pode aumentar acima do nível indicado.

Quando avaliar a exposição da vibração para determinar as medidas de segurança exigidas pela norma 2002/44/CE para proteger pessoas que utilizem regularmente ferramentas eléctricas na sua actividade profissional, deve ser considerada uma estimativa de exposição de vibração, as actuais condições de utilização e o modo de utilização da ferramenta, incluindo ainda todas as partes do ciclo de funcionamento, como os períodos de inactividade e espera da ferramenta, para além do tempo de funcionamento.

Rótulos na ferramenta

A ferramenta apresenta os seguintes símbolos de aviso juntamente com o código de data:



Atenção! Para reduzir o risco de ferimentos, o utilizador deve ler o manual de instruções.



Atenção! Utilize sempre uma máscara de protecção contra poeiras quando utilizar esta ferramenta.

Segurança eléctrica



Esta ferramenta tem um isolamento duplo e, por isso, não é necessário um fio de terra. Verifique sempre se a fonte de alimentação corresponde à tensão indicada na placa de especificações.

- ◆ Se o cabo de alimentação estiver danificado, terá de ser substituído pelo fabricante ou por um centro de assistência autorizado BLACK+DECKER para evitar acidentes.

Características

Esta ferramenta inclui algumas ou todas as seguintes características.

1. Interruptor para ligar/desligar
2. Indicador de velocidade variável
3. Super-lok™, a alavanca de fixação acessória que dispensa ferramentas
4. Base para lixadora
5. Adaptador de extracção de poeiras
6. Adaptador de montagem de acessórios (espaçador)
7. Adaptador de montagem de acessórios (parafuso de fixação)

Acessórios

Esta ferramenta inclui alguns ou todos os seguintes acessórios.

O desempenho da ferramenta depende do acessório utilizado. Os acessórios BLACK+DECKER e Piranha são concebidos segundo normas de elevada qualidade e desenvolvidos de modo a melhorar o desempenho da sua ferramenta. Ao utilizar estes acessórios, obterá o melhor desempenho da sua ferramenta.

	<p>Lâmina de serra de precisão para cortes por incisão de materiais de madeira e plásticos macios. (Número de peça - X26105-XJ)</p> <p>Corte de separação, por incisão e de precisão de madeira e de plásticos macios. Ideal para trabalhar em portas, rodapés, peitoris e pavimentos.</p>
	<p>Lâmina de serra para cortes por incisão de madeira e metais. (Número de peça - X26110-XJ)</p> <p>Corte de separação, por incisão e de precisão de madeira, plásticos, extrusões e tubos de paredes finas não ferrosos, pregos e parafusos.</p>
	<p>Lâmina de serra para cortes por incisão de madeira e metais. (Número de peça - X26115-XJ)</p> <p>Corte de separação, por incisão e de precisão de madeira, plásticos e extrusões e tubos de paredes finas não ferrosos.</p>
	<p>Lâmina de serra segmentada. (Número de peça - X26120-XJ)</p> <p>Lâmina de longa duração, ideal para cortar madeira, plásticos e materiais ferrosos e não ferrosos de paredes finas.</p>
	<p>Raspador rígido. (Número de peça - X26135-XJ)</p> <p>Ideal para remover materiais macios e rígidos de superfícies planas como, por exemplo, pavimentos em vinil, cola de tapetes aderentes, cola de ladrilhos, argamassa, tinta e verniz.</p>

	<p>Raspador flexível. (Número de peça - X26140-XJ)</p> <p>Ideal para remover materiais elastómeros de superfícies planas e rígidas em zonas de difícil alcance, tais como vedante de silicone e outros materiais de calafetagem.</p>
	<p>Lâmina de carboneto para remover argamassa. (Número de peça - X26125-XJ)</p> <p>Superfície revestida de carboneto, ideal para remover a argamassa e a cola dos ladrilhos de superfícies planas e para uma remoção rápida de madeira, aglomerado e fibra de vidro.</p>
	<p>Grosa de carboneto. (Número de peça - X26130-XJ)</p> <p>Superfície revestida de carboneto, ideal para remover a argamassa e para uma remoção rápida de plásticos, aglomerado e fibra de vidro.</p>
	<p>Folhas de lixa.</p> <p>De vários tipos, para lixar superfícies pintadas, envernizadas e de madeira.</p>

Montagem

Colocar e remover os acessórios (fig. A - F)

Atenção! Antes de colocar um acessório, desligue a ferramenta da alimentação eléctrica.

Colocar um acessório BLACK+DECKER/Piranha (fig. A - C)

- ◆ Segure na ferramenta e aperte a alavanca de fixação acessória (3).
- ◆ Faça deslizar o acessório (8) entre o veio e o suporte de acessórios, certificando-se de que o acessório fica encaixado nos oito pinos do suporte e que fica ao nível do veio.
- ◆ Desengate a alavanca de fixação acessória.

Nota: se necessário, alguns acessórios, tais como os raspadores e as lâminas, podem ser montados em ângulo (fig. C).

Remover um acessório BLACK+DECKER/Piranha (fig. A)

- ◆ Segure na ferramenta e aperte a alavanca de fixação acessória (3).
- ◆ Retire o acessório da ferramenta, certificando-se de que o mesmo fica desencaixado dos oito pinos do suporte.
- ◆ Desengate a alavanca de fixação acessória.

Atenção: deve utilizar luvas quando remover acessórios visto que estes poderão aquecer durante a utilização.

Colocar uma folha de lixa (fig. D)

- ◆ Alinhe a folha de lixa (9) com a base para lixadora (4) como apresentado.
- ◆ Pressione firme e uniformemente a folha na base para lixadora, certificando-se de que os orifícios da folha coincidem com os orifícios da base.

Remover uma folha de lixa

- ◆ Retire a folha da base para lixadora (4).

Atenção! Nunca utilize a base para lixadora sem uma folha de lixa ou acessório no respectivo local.

Colocar o adaptador de extracção de poeiras (fig. E), se fornecido

- ◆ Alinhe o adaptador de extracção de poeiras (5) com a base para lixadora (4) como apresentado.
- ◆ Pressione firme e uniformemente o adaptador na base para lixadora.
- ◆ Fixe o adaptador rodando a contraporca (12) no sentido dos ponteiros do relógio.
- ◆ Ligue um aspirador ao adaptador de extracção de poeiras.

Remover o adaptador de extracção de poeiras

- ◆ Rode a contraporca (12) no sentido contrário ao dos ponteiros do relógio.
- ◆ Retire o adaptador de extracção de poeiras (5) da base para lixadora (4).

Colocar acessórios alternativos (fig. F)

- ◆ Coloque o espaçador (6) no mandril (10).
- ◆ Coloque o acessório alternativo (11) no mandril (10).
- ◆ Fixe bem o parafuso de fixação (7) no respectivo local para que o acessório alternativo fique bem ajustado (11).

Nota: o espaçador e o parafuso de fixação não são utilizados para fixar acessórios BLACK+DECKER. Os acessórios BLACK+DECKER são fixos através da Super-lok™, a alavanca de fixação acessória que dispensa ferramentas.

Utilização

Atenção! Deixe a ferramenta funcionar ao seu próprio ritmo. Não a sobrecarregue.

Atenção! Antes de cortar em paredes, tectos ou chãos, verifique a localização de cablagem e tubos.

Controlo de velocidade variável (fig. G)

O controlo de velocidade variável permite-lhe adaptar a velocidade da ferramenta à aplicação.

- ◆ Defina o indicador de velocidade variável (2) para a velocidade pretendida. Ao definir para 1, a ferramenta irá funcionar a uma velocidade baixa (10 000 min-1). Ao definir para 6, a ferramenta irá funcionar à velocidade máxima (22 000 min-1).

Ligar e desligar (fig. H)

- ◆ Para ligar a ferramenta, faça deslizar o interruptor ligar/desligar (1) para a frente (posição I).
- ◆ Para desligar a ferramenta, faça deslizar o interruptor ligar/desligar (1) para trás (posição O).

Sugestões para uma utilização ideal

- ◆ Segure sempre a ferramenta com segurança. Para um trabalho que envolva precisão, segure a ferramenta junto à parte da frente.
- ◆ Prensione a peça sempre que possível, especialmente quando utilizar lâminas de corte.
- ◆ Não exerça demasiada pressão sobre a ferramenta.
- ◆ Utilize sempre o tipo de acessório apropriado para o material da peça e tipo de corte.
- ◆ Verifique regularmente o estado de conservação dos acessórios. Substitua-os quando necessário.
- ◆ Marque o ponto de partida pretendido.
- ◆ Ligue a ferramenta e insira lentamente os acessórios na peça, no ponto de partida pretendido.
- ◆ Prensione um fragmento de contraplacado ou de madeira macia à parte de trás da peça e serre ao longo da combinação, de forma a obter um corte limpo.
- ◆ Não force a lâmina de corte contra a peça. Tenha em atenção que cortar folhas de metal demorará, em princípio, mais tempo do que serrar peças de madeira mais espessas.
- ◆ Quando cortar metal, espalhe uma camada fina de óleo ao longo da linha de corte antes de iniciar.
- ◆ Quando estiver a lixar novas camadas de tinta antes de aplicar outra camada, utilize granulação extra fina.
- ◆ Em superfícies muito irregulares ou para remover camadas de tinta, comece com uma granulação grossa. Noutras superfícies, comece com uma granulação média. Em ambos os casos, mude gradualmente para uma granulação fina para conseguir um acabamento liso.
- ◆ Consulte o seu revendedor para obter mais informações sobre os acessórios disponíveis.

Manutenção

O seu aparelho/ferramenta BLACK+DECKER com/sem fios foi concebido para funcionar durante um longo período de tempo com uma manutenção mínima. Um funcionamento contínuo e satisfatório depende de uma manutenção adequada e da limpeza regular da ferramenta.

Atenção! Antes de proceder a qualquer acção de manutenção em ferramentas eléctricas com cabo/sem fios:

- ◆ Desligue o aparelho/ferramenta e retire a respectiva ficha da tomada.
- ◆ Ou desligue e remova a bateria do aparelho/ferramenta caso o aparelho/ferramenta tenha uma bateria individual.
- ◆ Ou deixe a bateria descarregar completamente se estiver incorporada e, em seguida, desligue-a.
- ◆ Limpe regularmente as aberturas de ventilação do aparelho/ferramenta/carregador com uma escova macia ou um pano seco.
- ◆ Limpe regularmente o compartimento do motor com um pano húmido. Não utilize produtos de limpeza abrasivos ou à base de solventes.

Substituição da ficha de alimentação (apenas Reino Unido e Irlanda)

Se for necessário montar uma nova ficha de alimentação:

- ◆ Elimine com segurança a ficha antiga.
- ◆ Ligue o cabo castanho ao terminal electrificado na nova ficha.
- ◆ Ligue o cabo azul ao terminal neutro.

Atenção! Não é necessário efectuar qualquer ligação ao terminal de terra. Siga as instruções de montagem fornecidas com fichas de boa qualidade. Fusível recomendado: 5 A.

Protecção do ambiente



Recolha separada. Este produto não pode ser eliminado juntamente com os resíduos domésticos normais.

Se, em algum momento, for necessário substituir este produto BLACK+DECKER ou se este deixar de ter utilidade, não elimine o produto num caixote do lixo. Este produto pode ser separado para reciclagem.



A recolha separada de produtos e embalagens usados permite que os materiais sejam reciclados e reutilizados.

A reutilização de materiais reciclados ajuda a evitar a poluição ambiental e reduz a procura de matérias-primas.

A legislação local poderá prever a recolha separada de produtos domésticos eléctricos, seja em lixeiras municipais ou através do revendedor quando adquire um produto novo.

A BLACK+DECKER dispõe de instalações para recolha e reciclagem de produtos BLACK+DECKER quando estes atingem o fim da vida útil. Para usufruir deste serviço, devolva o produto em qualquer agente de reparação autorizado, que os recolherá em seu nome.

Pode verificar a localização do agente de reparação autorizado mais perto de si, contactando os escritórios locais da BLACK+DECKER através do endereço indicado neste manual. Se preferir, está disponível na Internet uma lista de agentes de reparação autorizados BLACK+DECKER, com os contactos e detalhes completos do serviço pós-venda, no endereço: www.2helpU.com

Dados técnicos

		MT300 (Tipo 1)	MT280 (Tipo 1)
Tensão	V_{AC}	230	230
Velocidade sem carga	min^{-1}	10,000-22,000	10,000-22,000
Ângulo de oscilação	Graus	1,4 ou 2,8	1,4 ou 2,8
Potência	W	300	280
Peso	kg	1.53	1.53

Nível de pressão acústica de acordo com EN 60745:

Pressão acústica (L_{pA}) 90 dB(A), imprecisão (K) 3 dB(A)

Potência acústica (L_{WA}) 101 dB(A), imprecisão (K) 3 dB(A)

Valores totais de vibração (soma de vectores triax) de acordo com EN 60745:

Cortar madeira ($a_{h,CW}$) 4,5 m/s^2 , imprecisão (K) 1,5 m/s^2

Cortar metal ($a_{h,CM}$) 10,3 m/s^2 , imprecisão (K) 1,5 m/s^2

Lixar (a_h) 11,4 m/s^2 , imprecisão (K) 1,5 m/s^2

Declaração de conformidade CE

DIRECTIVA PARA MÁQUINAS



MT300, MT280 ferramenta oscilante

A Black & Decker declara que os produtos descritos em "dados técnicos" estão em conformidade com as seguintes normas:

2006/42/EC, EN 60745-1:2009 +A11:2010,
EN 60745-2-4:2009 +A11:2011

Estes produtos estão também em conformidade com as Directivas 2004/108/CE (até 19/04/2016), 2014/30/UE (a partir de 20/04/2016) e 2011/65/UE. Para mais informações, contacte a Black & Decker no endereço indicado em seguida ou consulte a parte posterior do manual.

O signatário é responsável pela compilação do ficheiro técnico e efectua esta declaração em nome da Black & Decker.

R.Laverick

Director of Engineering
Black & Decker Europe, 210 Bath Road, Slough,
Berkshire, SL1 3YD
Reino Unido
20/10/2015

Garantia

A Black & Decker confia na qualidade dos seus produtos e oferece uma garantia excelente. Esta declaração de garantia é um complemento dos seus direitos estabelecidos por lei, não os prejudicando de forma alguma. A garantia é válida nos territórios dos Estados Membros da União Europeia e da Associação Europeia de Comércio Livre.

Se um produto Black & Decker avariar devido a defeitos de material, fabrico ou não conformidade, num período de 24 meses após a data da compra, a Black & Decker garante a substituição das peças defeituosas, a reparação de produtos sujeitos a um desgaste aceitável ou a substituição dos mesmos para garantir o mínimo de inconvenientes ao cliente, excepto se:

- ◆ o produto tiver sido utilizado para fins comerciais, profissionais ou de aluguer;
- ◆ o produto tiver sido submetido a utilização indevida ou negligência;
- ◆ o produto tiver sido danificado por objectos ou substâncias estranhas, bem como acidentes;
- ◆ tiverem sido tentadas reparações por pessoas que não sejam agentes de reparação autorizados ou técnicos de manutenção da Black & Decker.

Para accionar a garantia, terá de apresentar comprovativos de compra ao vendedor ou a um agente de reparação autorizado. Pode verificar a localização do agente de reparação autorizado mais perto de si, contactando os escritórios locais da Black & Decker através do endereço indicado neste manual. Se preferir, está disponível na Internet uma lista de agentes de reparação autorizados Black & Decker, com os contactos e detalhes completos do serviço pós-venda, no endereço: www.2helpU.com

Visite o nosso website www.blackanddecker.pt para registar o novo produto BLACK+DECKER e manter-se actualizado relativamente a novos produtos e ofertas especiais. Pode encontrar mais informações sobre a marca BLACK+DECKER e sobre a nossa gama de produtos em www.blackanddecker.pt

Användningsområde

Det här oscillerande multiverktyget från BLACK+DECKER MT280, MT300 är avsett för gör det själv-tillämpningar, t.ex. slipning. Verktyget kan även användas vid sågning i trämaterial, plast, gips, icke-järnhaltiga metaller och fästelement (t.ex. ohärdad spik, häftklammer) samt bearbetning av mjuka väggmaterial och skrapning av mindre ytor. Verktyget är endast avsett som konsumentverktyg.

Säkerhetsföreskrifter

Allmänna säkerhetsanvisningar för elverktyg



Varning! Läs alla säkerhetsföreskrifter och alla anvisningar. Fel som uppstår till följd av att säkerhetsföreskrifterna och anvisningarna nedan inte följts kan orsaka elstötar, brand och/eller allvarliga kroppsskador.

Spara alla säkerhetsföreskrifter och anvisningar för framtida bruk. Begreppet "elverktyg" som använts i alla varningar syftar på nätdrivna elverktyg (med nätsladd) eller batteridrivna (utan nätsladd).

1. **Säkerhet i arbetsområdet**
 - a. **Håll arbetsplatsen ren och väl upplyst.** Oreda eller dålig belysning på arbetsplatsen kan leda till olyckor.
 - b. **För att undvika explosionsrisk bör du inte använda elverktyget i omgivningar med brännbara vätskor, gaser eller damm.** Elverktyg alstrar gnistor som kan antända dammet eller gaserna.
 - c. **Håll barn och andra personer på betryggande avstånd när du använder elverktyg.** Om du blir distraherad kan du förlora kontrollen.
 2. **Elsäkerhet**
 - a. **Elverktygets stickkontakt måste passa i eluttaget.** Stickkontakten får absolut inte ändras. Använd inte adapterkontakter tillsammans med jordade elverktyg. Med oförändrade stickkontakter och passande vägguttag minskas risken för elstötar.
 - b. **Undvik kroppskontakt med jordade ytor som t.ex. rör, värmeelement, spisar och kylskåp.** Risken för elektriska stötar ökar om din kropp är jordad.
 - c. **Skydda elverktyget mot regn och väta.** Om vatten tränger in i ett elverktyg ökar risken för elektriska stötar.
 - d. **Hantera inte nätsladden ovarsamt. Använd inte sladden för att bära eller dra elverktyget och inte heller för att dra ut kontakten ur vägguttaget.** Håll nätsladden borta från värme, olja, skarpa kanter och rörliga maskindelar. Risken att du får en elstöt är större om sladdarna är skadade eller tilltrasslade.
 - e. **Använd endast förlängningssladdar som är godkända för utomhusbruk när du arbetar med elverktyg utomhus.** Om du använder en förlängningssladd som är avsedd för utomhusbruk minskar risken för att du ska få en elstöt.
 - f. **Om du måste använda ett elverktyg på en fuktig plats ska du använda jordfelsbrytare.** Jordfelsbrytaren minskar risken för stötar.
3. **Personlig säkerhet**
 - a. **Var uppmärksam, se på vad du gör och använd elverktyget med förnuft.** Använd inte elverktyget när du är trött eller om du är påverkad av droger, alkohol eller mediciner. Vid användning av elverktyg kan även en kort tids ouppmärksamhet leda till allvarliga kroppsskador.
 - b. **Använd skyddsutrustning. Bär alltid skyddsglasögon.** Den personliga skyddsutrustningen, t.ex. dammfiltermask, halkfria säkerhetsskor, hjälm och hörselskydd, minskar risken för kroppsskada när den används vid rätt tillfällen.
 - c. **Undvik oavsiktlig igångsättning. Kontrollera att strömbrytaren står i avstängt läge innan du ansluter verktyget till elnätet eller sätter i batteriet, samt innan du tar upp eller bär verktyget.** Det kan vara mycket farligt att bära ett elverktyg med fingret på strömbrytaren eller koppla det till nätet respektive sätta i batteriet med strömbrytaren i till-läge.
 - d. **Ta bort alla inställningsverktyg och skruvnycklar innan du startar elverktyget.** Ett verktyg eller en nyckel i en roterande komponent kan orsaka kroppsskada.
 - e. **Sträck dig inte för långt. Se till att du alltid har säkert fotfäste och balans.** Därmed har du bättre kontroll över elverktyget i oväntade situationer.
 - f. **Bär lämpliga kläder. Bär inte löst hängande kläder eller smycken.** Håll undan hår, kläder och handskar från rörliga delar. Löst hängande kläder, smycken och långt hår kan fastna i roterande delar.
 - g. **Om elverktyget har utrustning för dammsugning och -uppsamling ska du kontrollera att utrustningen är rätt monterad och används på korrekt sätt.** Utrustningen kan minska riskerna när damm bildas.
 4. **Bruk och skötsel av elverktyg**
 - a. **Överbelasta inte elverktyget. Använd rätt elverktyg för det aktuella arbetet.** Med rätt elverktyg kan du arbeta bättre och säkrare med det som verktyget är avsett för.
 - b. **Använd inte elverktyget om det inte går att starta och stänga av det med strömbrytaren.** Ett elverktyg som inte kan startas och stängas av med strömbrytaren är farligt och måste repareras.
 - c. **Dra ut stickproppen ur vägguttaget och/eller ta ut batteriet ur elverktyget innan inställningar utförs, tillbehör byts eller elverktyget ställs undan.** Denna säkerhetsåtgärd förhindrar oavsiktlig start av elverktyget.

- d. Förvara elverktyg utom räckhåll för barn. Låt inte elverktyget användas av personer som inte är vana vid det, eller som inte läst denna bruksanvisning. Elverktyg är farliga om de används av ovana personer.
- e. Sköt elverktyget omsorgsfullt. Kontrollera att rörliga komponenter fungerar felfritt och inte kärvar, att komponenter inte gått sönder eller skadats och inget annat föreligger som kan påverka elverktygets funktion. Om elverktyget är skadat ska du se till att få det reparerat innan det används. Många olyckor orsakas av dåligt skötta elverktyg.
- f. Håll skärverktyg vassa och rena. Omsorgsfullt skötta skärverktyg med skarp egg fastnar inte så lätt och går lättare att styra.
- g. Använd elverktyget, tillbehör, insatsverktyg osv. enligt dessa anvisningar och på sätt som föreskrivits för aktuell verktygsmodell. Ta hänsyn till arbetsvillkoren och arbetsmomenten. Om elverktyget används på icke ändamålsenligt sätt kan farliga situationer uppstå.

5. Service

- a. Elverktyget ska bara repareras av utbildade reparatörer och med originalreservdelar. Detta säkerställer att elverktyget förblir säkert.



Varning! Ytterligare säkerhetsanvisningar för oscillerande verktyg

- ◆ Håll verktyget i de isolerade greppytorna vid arbete där sågtillbehöret riskerar att komma i kontakt med dolda elledningar eller med sin egen nätsladd. Om sågtillbehöret går igenom en strömförande ledning kan verktygets metalldelar bli strömförande och ge dig en elektrisk stöt
- ◆ Fäst arbetsstycket vid ett stabilt underlag med tvingar eller på något annat lämpligt sätt. Om du håller fast arbetsstycket med handen eller trycker det mot kroppen blir det instabilt och du kan förlora kontrollen.



Varning! Slipning ger upphov till damm som kan skada den som använder verktyget och andra i närheten vid kontakt eller inandning. Använd en specialkonstruerad ansiktsmask som skyddar mot damm och ångor och se till att personer som vistas inom eller i närheten av arbetsområdet också är skyddade.

- ◆ Var noga med att avlägsna allt damm när slipningen har avslutats.
- ◆ Var särskilt försiktig när du slipar bort färg som eventuellt innehåller bly eller när du slipar trä- och metallmaterial som kan avge giftigt slipdamm:
 - ◆ Låt aldrig barn eller gravida kvinnor vistas på arbetsplatsen.

- ◆ Ät, drick och rök inte på arbetsplatsen.
- ◆ Släng damm och annat avfall på miljösäker plats.
- ◆ Användningsområdet beskrivs i den här bruksanvisningen. Om andra tillbehör eller tillsatser används, eller om någon annan åtgärd än de som rekommenderas i den här bruksanvisningen utförs med verktyget, kan personer och/eller egendom skadas.
- ◆ Tillbehöret fortsätter att röra sig en kort stund efter att du har släppt strömbrytaren. Stäng alltid av verktyget och vänta tills tillbehöret har stannat helt innan du lägger ifrån dig det.
- ◆ Håll händerna borta från arbetsområdet. Sträck aldrig in händerna under arbetsstycket. Undvik att ha fingrarna i närheten av det pendlande sågbladet och bladklämman. Undvik att stabilisera sågen genom att hålla i sågskon.
- ◆ Håll sågbladen välslipade. Slöa eller skadade sågblad kan orsaka att sågen kommer i svängning eller stannar helt när den belastas. Använd alltid en typ av sågblad som är lämplig för det material du ska såga i och för hur du ska såga.
- ◆ Vid sågning i rör och liknande ska du se till att de inte innehåller vatten, elledning, osv.
- ◆ Undvik att vidröra arbetsstycket eller sågbladet direkt efter sågning. De kan bli mycket varma.
- ◆ Var uppmärksam på dolda faror innan du sågar i väggar, golv eller tak; kontrollera om det finns rör eller elledningar.

Säkerhet för andra

- ◆ Verktyget ska inte användas av personer (inklusive barn) med nedsatt fysisk eller psykisk förmåga eller bristande erfarenhet och kunskap, om de inte får vägledning och övervakas av en person som ansvarar för deras säkerhet.
- ◆ Barn ska hållas under uppsikt så att de inte leker med verktyget.

Övriga risker.

Ytterligare risker som inte finns med i de bifogade säkerhetsföreskrifterna kan uppstå när verktyget används. Dessa risker kan uppstå vid felaktig användning, långvarig användning, o.s.v.

Även om alla relevanta säkerhetsföreskrifter följs och säkerhetsanordningar används kan vissa ytterligare risker inte undvikas. Dessa innefattar:

- ◆ Skador orsakade av att roterande/rörliga delar vidrörs.
- ◆ Skador som uppstår vid byte av delar, blad eller tillbehör.
- ◆ Skador som orsakas av långvarig användning av ett verktyg. Se till att ta regelbundna raster när du använder ett verktyg under en längre period.
- ◆ Skador på hörseln.
- ◆ Hälsorisker orsakade av inandning av damm när verktyget används (exempel: arbete med trä, särskilt ek, bok och MDF).

Vibrationer

De uppgivna vibrationsvärdena i avsnitten Tekniska data och EU-förklaring om överensstämmelse har uppmätts i enlighet med en standardtestmetod föreskriven i EN 60745 och kan användas för jämförelse med andra verktyg. Det angivna vibrationsvärdet kan även användas för en preliminär bedömning av exponeringen.

Varning! Vibrationsvärdet under faktisk användning av elverktyget kan skilja sig från det uppgivna värdet beroende på hur verktyget används. Vibrationsnivån kan överstiga den uppgivna nivån.

Vid uppskattning av vibrationsexponering i syfte att bedöma vilka säkerhetsåtgärder som är nödvändiga enligt 2002/44/EG för att skydda personer som regelbundet använder elverktyg i arbetet ska man utgå från de faktiska omständigheter under vilka elverktyget används och sättet på vilket det används. Bedömningen ska även ta hänsyn till alla moment i arbetscykeln, t.ex. när verktyget är avstängt och när det går på tomgång såväl som när det faktiskt används.

Etiketter på verktyget

Följande varningssymboler finns på verktyget, tillsammans med datumkoden:



Varning! Läs bruksanvisningen före användning för att minska risken för olyckor.



Varning! Använd alltid en dammskyddsmask när du använder det här verktyget.

Elsäkerhet



Eftersom verktyget är dubbelisolerat behövs ingen jordledare. Kontrollera alltid att nätspänningen överensstämmer med värdet på typskylten.

- ♦ Om nätsladden är skadad måste den bytas ut av tillverkaren eller en auktoriserad BLACK+DECKER-verkstad för att undvika fara.

Funktioner

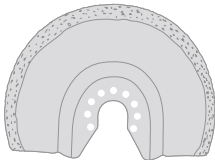
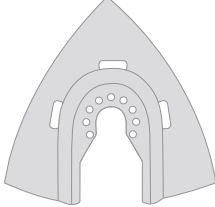
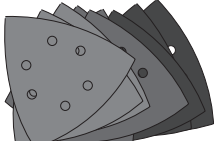
Detta verktyg har några eller samtliga av följande funktioner.

1. Strömbrytare
2. Hastighetsreglage
3. Super-lok™ låsspak för montering av tillbehör, inget verktyg krävs
4. Basplatta
5. Adapter för dammsugning
6. Tillbehörsadapter (distansbricka), verktyg krävs
7. Tillbehörsadapter (låsbult), verktyg krävs

Tillbehör

Detta verktyg har några eller samtliga av följande tillbehör. Vilka resultat du får med verktyget beror på vilka tillbehör du använder. Tillbehör från BLACK+DECKER och Piranha håller hög kvalitet och är konstruerade för att fungera optimalt med verktyget. Med dessa tillbehör får du ut det bästa av verktyget.

	<p>Sågblad för instickssågning med precision för trämaterial, mjuk plast. (Artikelnummer – X26105-XJ)</p> <p>Separerings-, insticknings- och slätsågning i trä och mjuk plast. Perfekt för arbete på dörrar, golvsoclor, fönsterbrädor och golv.</p>
	<p>Sågblad för instickssågning för trä och metall. (Artikelnummer – X26110-XJ)</p> <p>Separerings-, insticknings- och slätsågning i trä, plast, tunnväggiga icke-järnhaltiga rör och varmpressade profiler, spikar och skruvar.</p>
	<p>Sågblad för instickssågning för trä och metall. (Artikelnummer – X26115-XJ)</p> <p>Separerings-, insticknings- och slätsågning i trä, plast, tunnväggiga icke-järnhaltiga rör och varmpressade profiler.</p>
	<p>Segmenterat sågblad. (Artikelnummer - X26120-XJ)</p> <p>Blad med lång livslängd, perfekt för sågning i trä, plast, tunna järnhaltiga och icke-järnhaltiga material.</p>
	<p>Stadig skrapa. (Artikelnummer – X26135-XJ)</p> <p>Perfekt för borttagning av hårda och mjuka material från flata ytor, t.ex. borttagning av vinylgolv, mattlim, klinkertim, puts, färg och lack.</p>
	<p>Böjlig skrapa. (Artikelnummer – X26140-XJ)</p> <p>Perfekt för borttagning av elastiska material från hård flata ytor i områden som är svåra att nå, t.ex. slilkontätning och andra fogmaterial.</p>

	<p>Hårdmetallblad för borttagning puts. (Artikelnummer – X26125-XJ) Med hårdmetalltyta perfekt för borttagning av puts och kakellim från släta ytor och för snabb spånskärning i trä, spånskiva och glasfiber.</p>
	<p>Hårdmetallrasp. (Artikelnummer – X26130-XJ) Med hårdmetalltyta perfekt för borttagning av puts och för snabb spånskärning i plast, spånskiva och glasfiber.</p>
	<p>Slippapper. Olika grovlekar för slipning av trä, målade och lackerade ytor.</p>

Montering

Montera och ta bort tillbehören (fig. A – F)

Varning! Koppla bort verktyget från elnätet innan du monterar ett tillbehör.

Montera ett tillbehör från BLACK+DECKER/Piranha (fig. A – C)

- ◆ Håll i verktyget och kläm åt låsspaken för montering av tillbehör (3).
- ◆ Skjut tillbehöret (8) mellan axeln och tillbehörshållaren och se till att tillbehöret passar in alla åtta stift på hållaren och är jämnt med axeln.
- ◆ Släpp låsspaken för montering av tillbehöret.

Obs! Vissa tillbehör, t.ex. skrapor och blad kan monteras i sned vinkel om det behövs (fig. C).

Ta bort ett tillbehör från BLACK+DECKER/Piranha (fig. A)

- ◆ Håll i verktyget och kläm åt låsspaken för montering av tillbehör (3).
- ◆ Lossa tillbehöret från verktyget och se till att tillbehöret lossnar från alla åtta stift på hållaren.
- ◆ Släpp låsspaken för montering av tillbehöret.

Varning! Handskar måste användas när tillbehör lossas då de kan bli varma under användningen.

Montering av ett slippapper (fig. D)

- ◆ Passa in slippappret (9) med basplattan (4) som bilden visar.

- ◆ Tryck slippappret jämnt och hårt mot basplattan och se till att hålen i pappret sammanfaller med hålen i plattan.

Ta bort ett slippapper

- ◆ Dra av slippappret från basplattan (4).

Varning! Använd aldrig basplattan utan slippapper eller tillbehör på plats.

Montering av adapter för dammsugning (fig. E)

- ◆ Passa in adaptern för dammsugning(5)med basplattan(4) som bilden visar.
- ◆ Sätt fast adaptern på basplattan med ett hårt och jämnt tryck.
- ◆ Dra åt adaptern genom att vrida låsringen(12) medurs.
- ◆ Anslut en dammsugare till adaptern för dammsugning.

Ta bort adaptern för dammsugning

- ◆ Vrid låsringen (12) moturs.
- ◆ Dra bort adaptern för dammsugning (5) från basplattan (4).

Montera alternativa tillbehör (fig. F)

- ◆ Placera distansbrickan (6) på hylsan(10).
- ◆ Placera det alternativa tillbehöret (11) på hylsan(10).
- ◆ Dra åt låsbulten (7) ordentligt för att säkerställa att det alternativa tillbehöret (11) sitter fast.

Obs! Distansbrickan och låsbulten används inte för att montera BLACK+DECKER-tillbehör. BLACK+DECKER-tillbehör monteras med hjälp av Super-lok™ låsspak för montering av tillbehör, inget verktyg krävs.

Användning

Varning! Låt redskapet arbeta i sin egen takt. Överbelasta det inte.

Varning! Innan du sågar i väggar, golv eller tak ska du kontrollera var rör eller elledning finns.

Varierbar hastighetskontroll (fig. G)

Med den varierbara hastighetskontrollen kan du anpassa verktygets hastighet till arbetet.

- ◆ Dra det varierbara hastighetsreglaget (2) till önskad hastighet. I läge 1 arbetar verktyget med låg hastighet, 10 000 min⁻¹. I läge 6 arbetar verktyget med maximal hastighet, 22 000 min⁻¹.

Slå på och av (fig. H)

- ◆ Slå på verktyget genom att skjuta strömbrytaren (1) till läge I.
- ◆ Slå av verktyget genom att dra strömbrytaren (1) bakåt till läge O.

Råd för optimal användning

- ◆ Håll alltid verktyget på ett säkert sätt. Håll i verktygets främre del vid precisionsarbete.
- ◆ Fixera arbetsstycket när så är möjligt, särskild vid användning av sågblad.
- ◆ Tryck inte för hårt på verktyget.
- ◆ Använd alltid en typ av tillsats som är lämplig för det material du ska såga i och för hur du ska såga.
- ◆ Kontrollera tillbehörens skick regelbundet. Byt vid behov.
- ◆ Markera önskad startpunkt.
- ◆ Sätt på verktyget och för långsamt in tillsatsen i arbetsstycket vid den önskade startpunkten.
- ◆ Tvinga fast en plywoodbit eller en bit mjukträ på arbetsstycket och såga genom alltihop för att få ett rent snitt.
- ◆ Tvinga inte in sågbladet i arbetsstycket. Observera att sågning i metallplåt normalt tar längre tid än sågning i tjocka arbetsstycken av trä.
- ◆ Vid sågning i metall applicerar du ut en tunn hinna med olja längs the sågspåret före sågning.
- ◆ Använd extra finkornigt slippapper mellan strykningarna av nymålade ytor.
- ◆ På mycket ojämna ytor eller vid borttagning av flera färglager bör ett grovkornigt slippapper användas i början. På andra ytor startas slipningen med medelgrovt slippapper. I båda fallen bör ett finkornigare slippapper användas efter hand för att uppnå en jämn och slät yta.
- ◆ Kontakta din återförsäljare för mer information om tillgängliga tillbehör.

Underhåll

Det här BLACK+DECKER-redskapet (med eller utan sladd) är konstruerat för att fungera under lång tid med minsta möjliga underhåll. Med rätt underhåll och regelbunden rengöring behåller verktyget sin prestanda.

Varning! Innan något underhåll utförs på elektriska redskap med eller utan sladd:

- ◆ Stäng av redskapet/verktyget och dra ur nätkontakten.
- ◆ Du kan också ta ut batteriet ur redskapet om redskapet har ett separat batteri.
- ◆ Om batteriet är inbyggt låter du det laddas ur helt innan avstängningen.
- ◆ Rengör regelbundet redskapets/verktygets/laddarens luftintag med en mjuk borste eller torr trasa.
- ◆ Rengör kåpan regelbundet med en fuktig trasa. Använd aldrig rengöringsmedel med lösnings- eller slipmedel.

Byte av nätkontakt (endast Storbritannien och Irland)

Byt kontakten på följande sätt:

- ◆ Gör dig av med den gamla kontakten på lämpligt sätt.
- ◆ Anslut den bruna ledningen till den strömförande anslutningen i den nya kontakten.

- ◆ Anslut den blå ledningen till den icke strömförande anslutningen.

Varning! Anslut inte till jordanslutningen. Följ monteringsanvisningarna som medföljer kontakter av god kvalitet. Rekommenderad säkring: 5 A.

Miljö



Separat insamling. Produkten får inte kastas i hushållssoporna.

Tänk på miljön när du slänger denna BLACK+DECKER-produkt. Släng den inte tillsammans med hushållsavfallet. Lämna produkten för separat insamling.



Insamling av uttjänta produkter och förpackningsmaterial gör att material kan återanvändas. Användning av återvunnet material minskar föroreningar av miljön och behovet av råmaterial.

Lokala föreskrifter kan kräva separat insamling av elprodukter från hushållen, vid kommunala samlingsplatser eller hos återförsäljaren när du köper en ny produkt.

BLACK+DECKER samlar in och återvinner uttjänta BLACK+DECKER-produkter. Om du vill utnyttja denna tjänst återlämnar du produkten till en auktoriserad verkstad, som samlar in den för vår räkning.

För information om närmaste auktoriserade verkstad, kontakta det lokala BLACK+DECKER-kontoret på den adress som är angiven i bruksanvisningen. En lista över alla auktoriserade BLACK+DECKER-verkstäder samt servicevillkor finns på Internet: www.2helpU.com

Tekniska data

		MT300 (Typ 1)	MT280 (Typ 1)
Spänning	V_{AC}	230	230
Tomgångshastighet	min^{-1}	10,000-22,000	10,000-22,000
Oscilleringsvinkel	Grader	1,4 eller 2,8	1,4 eller 2,8
Effekt	W	300	280
Vikt	kg	1.53	1.53

Ljudnivå enligt EN 60745:	
Ljudnivå (L_{pA})	90 dB(A), osäkerhet (K) 3 dB(A)
Ljudeffekt (L_{WA})	101 dB(A), osäkerhet (K) 3 dB(A)
Totala vibrationsvärden (vektorsumman av tre axlar) enligt EN 60745:	
Träsågning ($a_{h,CW}$)	4.5 m/s^2 , osäkerhet (K) 1,5 m/s^2
Metallsågning ($a_{h,CM}$)	10.3 m/s^2 , osäkerhet (K) 1,5 m/s^2
Slipning (a_p)	11.4 m/s^2 , osäkerhet (K) 1,5 m/s^2

EG-deklaration om överensstämmelse

MASKINDIREKTIV



MT300, MT280 oscillerande multiverktyget

Black & Decker garanterar att produkterna som beskrivs under "Tekniska data" uppfyller:
2006/42/EC, EN 60745-1:2009 +A11:2010,
EN 60745-2-4:2009 +A11:2011

De här produkterna överensstämmer även med direktiven 2004/108/EG (till 2016-04-19) 2014/30/EU (från 2016-04-20) och 2011/65/EU. Mer information får du genom att kontakta Black & Decker på följande adress eller titta i slutet av bruksanvisningen.

Undertecknad är ansvarig för sammanställningen av tekniska data och gör denna försäkran för Black & Decker.

R.Laverick
Director of Engineering
Black & Decker Europe, 210 Bath Road, Slough,
Berkshire, SL1 3YD
Storbritannien
20/10/2015

Garanti

Black & Decker garanterar att produkten är fri från material- och/eller fabriktionsfel vid leverans till kund. Garantin gäller utöver konsumentens rättigheter enligt lag och påverkar inte dessa. Garantin gäller inom medlemsstaterna i Europeiska Unionen och i det Europeiska Frihandelsområdet.

Om en Black & Decker-produkt går sönder på grund av material- och/eller fabriktionsfel eller brister i överensstämmelse med specifikationen, inom 24 månader från köpet, åtar sig Black & Decker att reparera eller byta ut produkten med minsta besvär för kunden, förutom om:

- ◆ Produkten har använts i kommersiellt eller yrkesmässigt syfte eller i uthyringssyfte.
- ◆ Produkten har utsatts för felaktig användning eller skötsel.
- ◆ Produkten har skadats av främmande föremål, ämnen eller genom olyckshändelse.
- ◆ Reparation har utförts av någon annan än en auktoriserad Black & Decker-verkstad.

Vid garantianspråk ska produkten och inköpskvittot lämnas till återförsäljaren eller till en auktoriserad verkstad. För information om närmaste auktoriserade verkstad, kontakta det lokala Black & Decker-kontoret på den adress som är angiven i bruksanvisningen. En lista över alla auktoriserade Black & Decker-verkstäder samt servicevillkor finns på Internet: www.2helpU.com

Besök vår webbplats www.blackanddecker.se för att registrera din nya BLACK+DECKER-produkt samt för att erhålla information om nya produkter och specialerbjudanden. Vidare information om märket BLACK+DECKER och vårt produktortiment återfinns på www.blackanddecker.se

Bruksområde

Dette oscillerende verktøyet fra BLACK+DECKER MT300, MT280 er konstruert for gjør det selv-oppgaver, for eksempel sliping. Det er også egnet for kutting av tre, plast, gips, ikke-jern-metaller og festelementer (f.eks. uherdete spiker og stifter), bearbeiding av myke veggfliser og skrapping av små overflater. Verktøyet er beregnet bare som konsumentverktøy.

Sikkerhetsinstruksjoner

Generelle sikkerhetsadvarsler for elektroverktøy



Advarsel! Les alle sikkerhetsadvarsler og alle instruksjoner. Hvis advarslene og anvisningene nedenfor ikke overholdes, kan det medføre elektrisk støt, brann og/eller alvorlige personskader.

Ta vare på alle advarsler og instruksjoner for fremtidig bruk. Begrepet "elektroverktøy" i advarslene gjelder nettdrevet elektroverktøy (med ledning) eller batteridrevet elektroverktøy (uten ledning).

1. Sikkerhet i arbeidsområdet

- Hold arbeidsområdet rent og godt opplyst.** Rotete eller mørke områder fører lett til ulykker.
- Ikke arbeid med elektroverktøy i eksplosjonsfarlige omgivelser – der det finnes seg brennbare væsker, gass eller støv.** Elektroverktøy forårsaker gnister som kan antenne støv eller gass/damp.
- Hold barn og andre personer unna når du bruker et elektroverktøy.** Hvis du blir forstyrret under arbeidet, kan du miste kontrollen.

2. Elektrisk sikkerhet

- Støpselet til elektroverktøy må passe i stikkkontakten. Støpselet må ikke forandres på noen som helst måte. Ikke bruk adapterstøpsler sammen med jordede elektroverktøy.** Bruk av originale støpsler og passende stikkontakter reduserer risikoen for elektrisk støt.
- Unngå kroppskontakt med jordede overflater som rør, radiatorer, komfyrer og kjøleskap.** Det er større fare for elektrisk støt dersom kroppen din er jordet.
- Hold elektroverktøy unna regn eller fuktighet.** Dersom det kommer vann i et elektroverktøy, øker faren for elektrisk støt.
- Unngå uforsvarlig behandling av ledningen. Bruk aldri ledningen til å bære eller trekke elektroverktøyet eller til å trekke ut støpselet. Hold ledningen unna varme, olje, skarpe kanter eller bevegelige deler.** Skadde eller sammenflokede ledninger øker risikoen for elektrisk støt.

- Når du bruker et elektroverktøy utendørs, må du bruke en skjøteledning som er egnet for utendørs bruk.** Når du bruker en skjøteledning som er egnet for utendørs bruk, reduseres risikoen for elektrisk støt.
- Hvis du ikke kan unngå å bruke et elektroverktøy på et fuktig sted, bruker du strømforsyning som er beskyttet med jordfeilbryter.** Bruk av jordfeilbryter reduserer risikoen for elektrisk støt.

3. Personikkerhet

- Vær oppmerksom, pass på hva du gjør, og vis fornuft når du arbeider med et elektroverktøy. Ikke bruk elektroverktøy når du er trett eller er påvirket av narkotika, alkohol eller medikamenter.** Et øyeblikks uoppmerksomhet under bruk av verktøyet kan føre til alvorlige personskader.
 - Bruk personlig verneutstyr. Bruk alltid vernebriller.** Bruk av personlig verneutstyr, for eksempel støvmaske, skliskre vernesko, hjelm eller hørselvern som passer til forholdene, reduserer risikoen for personskader.
 - Forhindre utilsiktet start. Kontroller at bryteren står i posisjon "av" før du kobler til strømkilden og/eller batteripakken, og før du tar opp eller bærer verktøyet.** Det kan føre til ulykker hvis du bærer elektroverktøyet med fingeren på bryteren, eller setter strøm på verktøyet når bryteren står på.
 - Fjern eventuelle innstillingsverktøy eller skruverktøy før du slår på elektroverktøyet.** Et skruverktøy eller en nøkkel som fortsatt er festet til en roterende del av elektroverktøyet, kan føre til personskade.
 - Ikke strekk deg for langt. Pass på at du alltid har sikkert fotfeste og god balanse.** Da kan du kontrollere elektroverktøyet bedre i uventede situasjoner.
 - Bruk egnete klær. Ikke bruk løstsittende klær eller smykker. Hold hår, klær og hansker unna bevegelige deler.** Løstsittende tøy, smykker eller langt hår kan bli sittende fast i bevegelige deler.
 - Hvis det kan monteres støvavsug- og oppsamlingsinnretninger, må du forvisse deg om at disse er tilkoblet og brukes på riktig måte.** Bruk av støvopsamling kan redusere faren i forbindelse med støv.
- #### 4. Bruk og behandling av elektroverktøy
- Ikke bruk makt på elektroverktøyet. Bruk riktig elektroverktøy for bruksområdet.** Med et passende elektroverktøy arbeider du bedre og sikrere med den farten det er beregnet for.
 - Ikke bruk elektroverktøyet hvis du ikke kan slå det på og av med bryteren.** Et elektroverktøy som ikke kan kontrolleres med bryteren, er farlig og må repareres.

- c. **Trekk støpselet ut av stikkkontakten og/eller koble fra batteripakken på elektroverktøyet før du utfører innstillinger, bytter tilbehør eller legger elektroverktøyet bort.** Disse forebyggende sikkerhetstiltakene reduserer risikoen for utilsikket start av elektroverktøyet.
- d. **Elektroverktøy som ikke er i bruk, må oppbevares utilgjengelig for barn. Ikke la verktøyet bli brukt av personer som ikke er fortløig med det, eller som ikke har lest denne bruksanvisningen.** Elektroverktøy er farlige når de brukes av uerfarne personer.
- e. **Sørg for vedlikehold av elektroverktøy. Undersøk om bevegelige deler er feiljustert eller blokkert, om deler er skadet, og om det er andre forhold som kan påvirke elektroverktøyet funksjon. Hvis elektroverktøyet er skadet, må det repareres før bruk.** Dårlig vedlikeholdt elektroverktøy er årsaken til mange ulykker.
- f. **Hold skjæreverktøy skarpe og rene.** Godt vedlikeholdte skjæreverktøy med skarpe egger setter seg ikke så ofte fast og er lettere å føre.
- g. **Bruk elektroverktøy, tilbehør, bits osv. i henhold til disse instruksjonene. Ta hensyn til arbeidsforholdene og arbeidet som skal utføres.** Bruk av elektroverktøy til andre formål enn det som er angitt, kan føre til farlige situasjoner.
5. **Service**
- a. **Elektroverktøy skal alltid repareres av kvalifisert personell og kun med originale reservedeler.** Dette sikrer at elektroverktøyet sikkerhet opprettholdes.



Advarsel! Ytterligere sikkerhetsadvarsler for oscillerende verktøy

- ◆ **Hold elektroverktøyet i de isolerte grepene når du utfører et arbeid hvor skjæretilbehøret kan komme i kontakt med skjulte ledninger eller sin egen kabel.** Hvis skjæretilbehøret kommer i kontakt med en strømførende ledning, kan frittliggende metalldele på verktøyet bli strømførende, og brukeren kan få elektrisk støt.
- ◆ **Bruk klemmer eller andre praktiske metoder for å spenne fast og støtte arbeidsstykket på en stabil plattform.** Hvis arbeidsstykket holdes med hånden eller inn mot kroppen, vil det være ustabil, og dette kan lett føre til at du mister kontrollen.



Advarsel! Kontakt med eller innånding av støv som oppstår ved sliping, kan være helseskadelig for operatøren og eventuelle personer i nærheten. Bruk en spesialmaske som verner mot støv og damp, og pass på at andre som oppholder seg eller kommer inn i området der du arbeider, også beskytter seg.

- ◆ Fjern alt støv grundig etter sliping.
- ◆ Vær ekstra forsiktig når du pusser maling som kan inneholde bly, eller metall som kan avgi giftig støv:
 - ◆ Ikke la barn eller gravide komme inn der du arbeider.
 - ◆ Ikke spis, drikk eller røyk der du arbeider.
 - ◆ Kvitte deg med støvpartikler eller annet avfall på en miljøvennlig måte.
- ◆ Beregnet bruk er beskrevet i denne håndboken. Bruk av tilbehør eller utføring av oppgaver som ikke er anbefalt for verktøyet i denne håndboken, kan medføre fare for personskaade og/eller skade på eiendom.
- ◆ Tilbehøret vil fortsatt være i bevegelse etter at bryteren er satt i av-stilling. Slå alltid verktøyet av, og vent til tilbehøret stanser helt, før du setter verktøyet ned.
- ◆ **Hold hendene borte fra skjærområdet.** Du må aldri gripe under arbeidsstykket av noen som helst årsak. Ikke før fingre eller tommel inn i nærheten av bladet som går frem og tilbake, og bladfestet. Ikke stabiliser sagen ved å ta tak i foten.
- ◆ **Hold bladene skarpe.** Sløve eller skadde sagblader kan få sagen til å bøye av eller stanse under press. Bruk alltid sagblader som egner seg for arbeidsstykkets materiale og den type saging det er snakk om.
- ◆ Når du sager rør eller kanaler, må du kontrollere at de er fri for vann, elektriske ledninger osv.
- ◆ Ikke berør arbeidsstykket eller bladet straks etter at du har brukt verktøyet. De kan bli svært varme.
- ◆ Vær oppmerksom på skjulte farer før du sager i vegger, gulv eller tak. Lokaliser eventuelle kabler og rør.

Andre personers sikkerhet

- ◆ Det er ikke meningen at dette produktet skal brukes av personer (inkludert barn) med reduserte fysiske, sansemessige eller mentale evner, eller som mangler erfaring og kunnskap, med mindre de har fått oppfølging eller instruksjon når det gjelder bruken av produktet, fra en person som er ansvarlig for deres sikkerhet.
- ◆ Barn skal være under oppsyn så du er sikker på at de ikke leker med produktet.

Andre risikoer

Ved bruk av produktet kan det oppstå ytterligere risikoer som kanskje ikke er inkludert i sikkerhetsadvarslene som følger med. Disse risikoene kan bli forårsaket av feil bruk, langvarig bruk osv.

Selv om de relevante sikkerhetsbestemmelsene blir fulgt, og sikkerhetstiltakene blir gjennomført, kan visse gjenværende risikoer ikke unngås. Disse omfatter:

- ◆ Personskader som forårsakes av berøring av en roterende/bevegelig del.
- ◆ Personskader som forårsakes av at en del, et blad eller tilbehør endres.

- ◆ Personskader som forårsakes av langvarig bruk av et verktøy. Når du bruker et verktøy i lange perioder, må du sørge for å ta regelmessige pauser.
- ◆ Svekket hørsel.
- ◆ Helsefarer som forårsakes av innånding av støv som dannes når du bruker verktøyet (eksempel: arbeid med tre, spesielt eik, bøk og MDF).

Vibrasjon

Vibrasjonsemisjonsverdien som er angitt under tekniske data og samsvarserklæring, er blitt målt i henhold til en standard testmetode som er angitt i EN 60745, og kan brukes til å sammenligne et verktøy med et annet. Den oppgitte vibrasjonsemisjonsverdien kan også brukes til en foreløpig vurdering av eksponering.

Advarsel! Vibrasjonsemisjonsverdien under faktisk bruk av elektroverktøyet kan avvike fra den oppgitte verdien avhengig av måten verktøyet blir brukt på. Vibrasjonsnivået kan øke over nivået som er oppgitt.

Når man vurderer vibrasjonseksponering for å bestemme sikkerhetstiltak som kreves i 2002/44/EF, for å beskytte personer som bruker elektroverktøy regelmessig i arbeidet, skal man når man anslår vibrasjonseksponeringen, ta hensyn til de faktiske bruksforholdene og måten verktøyet blir brukt på, inkludert hensyn til alle deler av brukssyklusen – også de gangene verktøyet slås av, og når det går på tomgang, i tillegg til tiden utløseren er inne.

Merking på verktøyet

Følgende advarselssymboler vises på verktøyet sammen med datokoden:



Advarsel! Brukeren må lese håndboken for å redusere risikoen for personskade.



Advarsel! Bruk alltid støvmaske når du bruker dette verktøyet.

Elektrisk sikkerhet



Dette verktøyet er dobbeltisolert. Jording er derfor ikke nødvendig. Kontroller alltid at strømforsyningen er i overensstemmelse med spenningen på typeskiltet.

- ◆ Hvis strømledningen blir skadet, må den skiftes av produsenten eller et autorisert BLACK+DECKER-service-senter for å unngå fare.

Funksjoner

Dette verktøyet har enkelte av eller alle funksjonene nedenfor.


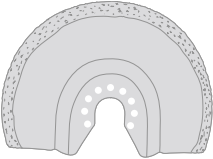
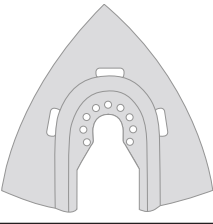
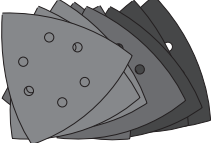
1. På/av-bryter
2. Hastighetskontroll
3. Super-lok™ verktøyfritt tilbehørsfeste
4. Slipebase
5. Støvuttsadapter
6. Verktøytilbehørsadapter (avstandsstykke)
7. Verktøytilbehørsadapter (festeskruer)

Tilbehør

Dette verktøyet omfatter enkelte deler av eller alt tilbehøret nedenfor.

Verktøyet ytelser avhenger av tilbehøret du bruker. Tilbehør fra BLACK+DECKER og Piranha er produsert etter høye kvalitetsstandarder og er konstruert for å bedre verktøyet ytelser. Hvis du bruker dette tilbehøret, får du den aller beste ytelsen fra verktøyet ditt.

	Presisjonssagblad for dybdekutt i tre og myk plast. (Delenummer – X26105-XJ) Skille-, dybde- og fluktkutting av tre og myk plast. Ideelt for arbeid på dører, lister, vinduskarmen og gulv.
	Dybdekuttsagblad for tre og metall. (Delenummer – X26110-XJ) Skille-, dybde- og fluktkutting av tre og plast og kutting av tynnveggede rør og tynne stenger som ikke er av jern, samt spiker og skruer.
	Dybdekuttsagblad for tre og metall. (Delenummer – X26115-XJ) Skille-, dybde- og fluktkutting av tre og plast og kutting av tynnveggede rør og tynne stenger som ikke er av jern.
	Segmentert sagblad. (Delenummer – X26120-XJ) Blad med lang levetid som er ideelt for kutting av tre, plast og tynnveggede materialer av jern og andre metaller.
	Stiv skrape. (Delenummer – X26135-XJ) Ideell for fjerning av harde og myke materialer fra plane overflater, for eksempel fjerning av vinylbelegg på gulv, fastsittende tepelime, gulvflisim, puss, maling og lakk.

	<p>Fleksibel skraper. (Delenummer – X26140-XJ)</p> <p>Ideell for fjerning av elastiske materialer fra harde, plane overflater på vanskelig tilgjengelige steder, for eksempel fjerning av silikonetting og andre tetningsmaterialer.</p>
	<p>Karbidblad for fjerning av puss. (Delenummer – X26125-XJ)</p> <p>Karbidbelagt overflate som er ideell for fjerning av puss og flislim fra plane overflater og for rask fjerning av rester av tre, sponplate og glassfiber.</p>
	<p>Karbidfil. (Delenummer – X26130-XJ)</p> <p>Karbidbelagt overflate som er ideell for fjerning av puss og for rask fjerning av rester av plast, sponplate og glassfiber.</p>
	<p>Slipepapirark.</p> <p>Ulike grader for sliping av tre og malte og lakkerte overflater.</p>

Montering

Montere og demontere tilbehør (figur A–F)

Advarsel! Trekk støpselet ut av stikkkontakten før du monterer tilbehør.

Montere tilbehør fra BLACK+DECKER / Piranha (figur A–C)

- ◆ Hold verktøyet, og klem på tilbehørsfestehåndtaket (3).
- ◆ Skyv tilbehøret (8) mellom akselen og tilbehørsholderen, og pass på at tilbehøret festes i alle pinner på holderen og er i flukt med akselen.
- ◆ Slipp tilbehørsfestehåndtaket.

Merknad: Noe tilbehør, for eksempel skraper og blad, kan festes i vinkel hvis det kreves (figur C).

Demontere tilbehør fra BLACK+DECKER / Piranha (figur A)

- ◆ Hold verktøyet, og klem på tilbehørsfestehåndtaket (3).
- ◆ Trekk tilbehøret bort fra verktøyet, og pass på at tilbehøret frigjøres fra alle de åtte pinnene på holderen.
- ◆ Slipp tilbehørsfestehåndtaket.

Advarsel! Bruk hansker når du fjerner tilbehør, da det kan bli varmt under bruk.

Sette på slipepapir (figur D)

- ◆ Plasser slipepapiret (9) i forhold til slipebasen (4) som vist.
- ◆ Trykk slipepapiret fast og jevnt på slipebasen, og pass på at hullene i slipepapiret passer med hullene i basen.

Fjerne slipepapir

- ◆ Trekk slipepapiret av slipebasen (4).

Advarsel! Bruk aldri slipebasen uten slipepapir eller tilbehør montert.

Montere støvuttaksadapteren (figur E)

- ◆ Plasser støvuttaksadapteren (5) i forhold til slipebasen (4) som vist.
- ◆ Trykk adapteren fast og jevnt inn i slipebasen.
- ◆ Fest adapteren ved å dreie låsemutteren (12) med klokken.
- ◆ Koble en støvsuger til støvuttaksadapteren.

Demontere støvuttaksadapteren

- ◆ Drei låsemutteren (12) mot klokken.
- ◆ Trekk støvuttaksadapteren (5) ut av slipebasen (4).

Sette på alternativt tilbehør (figur F)

- ◆ Sett avstandsstykket (6) på mansjetten (10).
- ◆ Sett det alternative tilbehøret (11) på mansjetten (10).
- ◆ Fest festeskruen (7) godt for å sikre at det alternative tilbehøret (11) sitter godt.

Merknad: Avstandsstykket og festeskruen brukes ikke til å feste tilbehør fra BLACK+DECKER. Tilbehør fra BLACK+DECKER festes med Super-Iok™ verktøyfritt tilbehørsfeste.

Bruk

Advarsel! La verktøyet arbeide med sin egen hastighet. Ikke overbelast det.

Advarsel! Før du kutter i vegger, gulv eller tak, må du kontrollere plasseringen av kabler og rør.

Hastighetskontroll (figur G)

Med hastighetskontrollen kan du tilpasse verktøyets hastighet til oppgaven.

- ◆ Sett hastighetskontrollen (2) på ønsket innstilling. Ved innstilling 1 fungerer verktøyet med lav hastighet, 10 000 min-1. Ved innstilling 6 fungerer verktøyet med maksimal hastighet, 22 000 min-1.

Slå på og av (figur H)

- ◆ Når du skal slå verktøyet på, skyver du på/av-bryteren (1) fremover (posisjon I).

- ◆ Når du skal slå verktøyet av, skyver du på/av-bryteren (1) bakover (posisjon O).

Råd for optimal bruk

- ◆ Hold alltid verktøyet sikkert. Ved presisjonsarbeid holdes verktøyet nær fronten.
- ◆ Klem fast verktøyet når det er mulig, særlig ved bruk av kutteblader.
- ◆ Ikke trykk for hardt på verktøyet.
- ◆ Bruk alltid tilbehør som egner seg for arbeidsstykkets materiale og typen kutt.
- ◆ Kontroller tilstanden til tilbehøret regelmessig. Bytt etter behov.
- ◆ Merk det ønskede startpunktet.
- ◆ Slå på verktøyet, og før tilbehøret langsomt inn i arbeidsstykket ved det ønskede startpunktet.
- ◆ Klem fast et stykke finer eller bløtt tre på baksiden av arbeidsstykket, og sag gjennom kombinasjonen for å få et rent kutt.
- ◆ Ikke tving skjærebladet inn i arbeidsstykket. Legg merke til at det normalt vil ta lengre tid å kutte metallplater enn tykke trestykker.
- ◆ Når du kutter metall, legger du en tynn oljefilm langs kuttelinjen før kutting.
- ◆ Når du skal slippe nye malingsstrøk før du skal male et nytt strøk, bruker du ekstra finkornet slipepapir.
- ◆ På veldig ujevne overflater, eller når du skal fjerne flere lag med maling, begynner du med et grovere slipepapir. På andre overflater begynner du med et middels grovkornet slipepapir. I begge tilfeller bytter du gradvis til mer finkornet slipepapir for å få en glattere overflate.
- ◆ Kontakt forhandleren for å få mer informasjon om tilgjengelig tilbehør.

Vedlikehold

Det nettdrevne/batteridrevne BLACK+DECKER-apparatet/verktøyet er konstruert for å være i drift over lengre tid med et minimum av vedlikehold. Det er avhengig av riktig stell og regelmessig rengjøring for å fungere som det skal til enhver tid.

Advarsel! Før du utfører vedlikehold på nettdrevet/batteridrevet elektroverktøy:

- ◆ Slå av apparatet/verktøyet og trekk ut støpselet.
- ◆ Eller slå av apparatet/verktøyet og fjern batteriet fra dette hvis apparatet/verktøyet har separat batteripakke.
- ◆ Eller la batteriet gå helt tomt hvis det er innebygd, og slå deretter av.
- ◆ Rengjør ventilasjonsåpningene i apparatet/verktøyet/laderen jevnlig med en myk børste eller tørr klut.
- ◆ Rengjør motorhuset regelmessig med en fuktig klut. Ikke bruk slipende eller løsemiddelbaserte rengjøringsmidler.

Bytte nettstøpsel (gjelder bare Storbritannia og Irland)

Hvis ny nettplugg må settes på:

- ◆ Kast det gamle støpselet på en trygg måte.
- ◆ Koble den brune ledningen til den strømførende terminalen i det nye støpselet.
- ◆ Koble den blå ledningen til den nøytrale terminalen.

Advarsel! Du skal ikke koble til jordterminalen. Følg monteringsinstruksjonene som følger med støpsler av god kvalitet. Anbefalt sikring: 5 A.

Miljø



Separat avfallshåndtering. Dette produktet må ikke kastes sammen med husholdningsavfall.

Hvis du synes BLACK+DECKER-produktet bør skiftes ut, eller du ikke har bruk for det lenger, må du ikke kaste det sammen med husholdningsavfall. Sørg for separat avfallshåndtering for dette produktet.



Hvis brukte produkter og emballasje leveres atskilt, kan materialer resirkuleres og brukes på nytt. Gjenbruk av resirkulerte materialer bidrar til redusert miljøforurensing og reduserer behovet for råmaterialer.

Det kan være lokale bestemmelser for separat avfallshåndtering for elektriske produkter fra husstander på kommunale avfallsplasser eller hos forhandleren, når du kjøper et nytt produkt.

BLACK+DECKER har en ordning for innsamling og resirkulering av BLACK+DECKER-produkter som ikke skal brukes lenger. Du kan benytte denne tjenesten ved å levere produktet til et hvilket som helst autorisert serviceverksted.

Du kan finne ut hvor nærmeste autoriserte serviceverksted er, ved å kontakte din lokale BLACK+DECKER-avdeling på adressen som er oppgitt i denne håndboken. En oversikt over autoriserte BLACK+DECKER-serviceverksteder og alle opplysninger om ettersalgsservice og kontakter er også tilgjengelig på Internett: www.2helpU.com

Tekniske data

		MT300 (Type 1)	MT280 (Type 1)
Spenning	V_{AC}	230	230
Hastighet ubelastet	min^{-1}	10,000-22,000	10,000-22,000
Oscillasjonsvinkel	Grader	1,4 eller 2,8	1,4 eller 2,8
Effekt	W	300	280
Vekt	kg	1.53	1.53

Lydtrykknivå i henhold til EN 60745:	
Lydtrykk (L_{pA})	90 dB(A), usikkerhet (K) 3 dB(A)
Lydeffekt (L_{WA})	101 dB(A), usikkerhet (K) 3 dB(A)
Totale vibrasjonsverdier (vektorsum fra tre retninger) i henhold til EN 60745:	
Kutting av tre ($a_{h,CW}$)	4.5 m/s^2 , usikkerhet (K) 1,5 m/s^2
Kutting av metall ($a_{h,CW}$)	10.3 m/s^2 , usikkerhet (K) 1,5 m/s^2
Sliping (a_{h})	11.4 m/s^2 , usikkerhet (K) 1,5 m/s^2

EF-samsvarserklæring MASKINDIREKTIV



MT300, MT280 oscillerende verktøyet

Black & Decker erklærer at disse produktene som er beskrevet under "Tekniske data", er i samsvar med: 2006/42/EC, EN 60745-1:2009 +A11:2010, EN 60745-2-4:2009 +A11:2011

Disse produktene er også i samsvar med direktiv 2004/108/EF (til 19/04/2016), 2014/30/EU (fra 20/04/2016) og 2011/65/EU. Hvis du ønsker mer informasjon, kan du kontakte Black & Decker på adressen nedenfor eller se baksiden av bruksanvisningen.

Undertegnede er ansvarlig for utarbeidelsen av den tekniske dokumentasjonen og gir denne erklæringen på vegne av Black & Decker.

R.Laverick
Director of Engineering
Black & Decker Europe, 210 Bath Road, Slough,
Berkshire, SL1 3YD
Storbritannia
20/10/2015

Garanti

Black & Decker er trygg på kvaliteten på sine produkter og tilbyr en enestående garanti. Denne garantierklæringen kommer i tillegg til dine lovbestemte rettigheter og er ikke i konflikt med disse. Garantien er gyldig i EU- og EFTA-medlemsstatene.

Hvis et Black & Decker-produkt går i stykker på grunn av material- og/eller fabrikkasjonsfeil eller har mangler i forhold til spesifikasjonene innen 24 måneder fra kjøpet, påtar Black & Decker seg å skifte ut defekte deler, reparere produkter som har vært utsatt for alminnelig slitasje, eller bytte ut slike produkter med minst mulig vanskelighet for kunden, med mindre:

- ◆ Produktet har vært brukt i yrkes-/næringsvirksomhet eller til utleie.
- ◆ Produktet har vært utsatt for feilaktig bruk eller dårlig vedlikehold.
- ◆ Produktet har blitt skadet av fremmede gjenstander eller stoffer eller ved et uhell.
- ◆ Andre enn autoriserte serviceverksteder eller Black & Deckers serviceteknikere har forsøk å reparere produktet.

For å ta garantien i bruk må du vise kjøpskvittering til forhandleren eller til et autorisert serviceverksted. Du kan finne ut hvor nærmeste autoriserte serviceverksted er, ved å kontakte din lokale Black & Decker-avdeling på adressen som er oppgitt i denne håndboken. En oversikt over autoriserte Black & Decker-serviceverksteder og alle opplysninger om ettersalgsservice og kontakter er også tilgjengelig på Internett: www.2helpU.com

Besøk vårt webområde www.blackanddecker.no for å registrere ditt nye BLACK+DECKER-produkt og for å holde deg oppdatert om nye produkter og spesialtilbud. Du finner mer informasjon om BLACK+DECKER og produktutvalget vårt på www.blackanddecker.no.

Tilsigtet brug

Dit BLACK+DECKER MT280, MT300 oscillerende værktøj er beregnet til gør-det-selv-opgaver som f.eks. slibning. Det er også velegnet til savning i træmaterialer, plastik, gips, ikke-jernholdige metaller og fastgørelseselementer (f.eks. ikke-hærdede søm, kremper), og til arbejde på bløde vægfliser og afskrabning af små overflader. Værktøjet er kun beregnet til privat brug.

Sikkerhedsvejledning

Generelle sikkerhedsadvarsler vedrørende elværktøj



Advarsel! Læs alle sikkerhedsadvarsler og instruktioner. Hvis nedenstående instruktioner og advarsler ikke følges, er der risiko for elektrisk stød, brand og/eller alvorlige personskader.

Gem alle advarsler og anvisninger til senere brug.

Begrebet "elværktøj", der benyttes i nedenstående advarsler, henviser til netdrevet elværktøj (med netledning) eller batteridrevet værktøj (uden netledning).

1. Sikkerhed i arbejdsområdet

- Hold arbejdsområdet rent og ordentligt oplyst.** Uordentlige og mørke områder øger faren for uheld.
- Brug ikke elværktøj i eksplosive omgivelser, f.eks. hvor der er brændbare væsker, gasser eller støv.** Elværktøj kan forårsage gnister, der kan antænde støv eller dampe.
- Hold børn og andre personer på afstand, når et elværktøj er i brug.** Du kan miste kontrollen over værktøjet, hvis du distraheres.

2. Elektricitet og sikkerhed

- Elværktøjsstik skal passe til stikkontakten. Stikket må under ingen omstændigheder ændres. Brug ikke adapterstik sammen med jordforbundet elværktøj.** Uændrede stik, der passer til stikkontakterne, nedsætter risikoen for elektrisk stød.
- Undgå kropskontakt med jordforbundne overflader som f.eks. rør, radiatorer, komfurer og køleskabe.** Hvis din krop er jordforbundet, øges risikoen for elektrisk stød.
- Elværktøj må ikke udsættes for regn eller fugt.** Indtrængen af vand i elværktøj øger risikoen for elektrisk stød.
- Ødelæg ikke ledningen. Bær, træk eller afbryd ikke elværktøjet vha. ledningen. Beskyt ledningen mod varme, olie, skarpe kanter eller maskindele, der er i bevægelse.** Beskadigede eller sammenfiltrede ledninger øger risikoen for elektrisk stød.

- Hvis elværktøj benyttes i det fri, skal der benyttes en forlængerledning, som er godkendt til udendørs brug.** Brug af en forlængerledning til udendørs brug nedsætter risikoen for elektrisk stød.
- Brug en strømkilde med fejlstrømsbeskyttelse, hvis det er uundgåeligt at anvende elværktøj på fugtige steder.** Med en fejlstrømsbeskyttelse reduceres risikoen for elektrisk stød.

3. Personlig sikkerhed

- Vær opmærksom, hold øje med, hvad du laver, og brug elværktøjet fornuftigt. Brug ikke et elværktøj, hvis du er træt eller påvirket af stoffer, medicin eller alkohol.** Få sekunders uopmærksomhed ved brug af elværktøjet kan føre til alvorlige personskader.
 - Brug personlige værnemidler. Brug altid beskyttelsesbriller.** Brug af værnemidler som f.eks. støvmaske, skridsikkert fodtøj, beskyttelseshjelm eller høreværn nedsætter risikoen for personskader, hvis udstyret anvendes korrekt.
 - Sørg for, at værktøjet ikke kan starte utilsigtet. Kontroller, at afbryderkontakten står på slukket, inden værktøjet tilsluttes strømkilden og/eller batteriet, samles op eller bæres.** Bæres elværktøj, mens fingeren er på kontakten, eller tilsluttes det, mens kontakten står på tændt, kan der nemt ske en ulykke.
 - Fjern indstillingsværktøj eller skruenøgle, inden elværktøjet tændes.** Et værktøj eller en nøgle, der efterlades i en roterende del i elværktøjet, kan resultere i personskader.
 - Stræk dig ikke for langt. Sørg for, at du altid har sikkert fodfæste og balance.** Det gør det nemmere at kontrollere elværktøjet, hvis der skulle opstå uventede situationer.
 - Brug egnet arbejdstøj. Undgå løse beklædningsgenstande eller smykker. Hold hår, tøj og handsker væk fra dele, der bevæger sig.** Bevægelige dele kan gribe fat i løstsiddende tøj, smykker eller langt hår.
 - Hvis støvudsugnings- og opsamlingsudstyr kan monteres, er det vigtigt, at dette tilsluttes og benyttes korrekt.** Brug af udstyr til opsamling af støv kan nedsætte risikoen for støvrelateret personskade.
- #### 4. Brug og vedligeholdelse af elværktøj
- Undgå at overbelaste elværktøjet. Brug altid det rette elværktøj til opgaven.** Med det rigtige elværktøj udføres arbejdet lettere og sikrere og i det tempo, som værktøjet er beregnet til.
 - Brug ikke elværktøjet, hvis afbryderen er defekt.** Elværktøj, der ikke kan reguleres med afbryderen, er farligt og skal repareres.

- c. **Træk stikket ud af stikkontakten og/eller batteriet inden indstilling, tilbehørsudskiftning eller opbevaring af elværktøjet.** Disse sikkerhedsforanstaltninger reducerer risikoen for utilsigtet start af værktøjet.
- d. **Opbevar ubenyttet elværktøj uden for børns rækkevidde. Lad aldrig personer, der ikke er fortrolige med elværktøj, eller som ikke har gennemlæst disse instruktioner, benytte maskinen.** Elværktøj er farligt, hvis det benyttes af ukundige personer.
- e. **Elværktøj bør vedligeholdes omhyggeligt. Kontroller, om bevægelige dele er skæve og ikke sidder fast, og om delene er brækket eller beskadiget, så elværktøjets funktion påvirkes. Få beskadigede dele repareret, inden elværktøjet tages i brug.** Mange uheld skyldes dårligt vedligeholdt elværktøj.
- f. **Sørg for, at skæreværktøjer er skarpe og rene.** Ordentligt vedligeholdt skæreværktøj med skarpe skærekanter sætter sig ikke så hurtigt fast og er nemmere at styre.
- g. **Brug elværktøjet, tilbehøret, indsatsværktøj osv. i overensstemmelse med disse instruktioner under hensyntagen til arbejdsforholdene og arbejdet, der skal udføres med værktøjet.** I tilfælde af anvendelse af elværktøjet til formål, som ligger uden for det fastsatte anvendelsesområde, kan der opstå farlige situationer.
5. **Service**
- a. **Altid elværktøjet repareret af kvalificerede fagfolk med udelukkende identiske reservedele.** Dermed opretholdes elværktøjets sikkerhed.



Advarsel! Yderligere sikkerhedsadvarsler for oscillerende værktøjer.

- ◆ **Hold i elværktøjets isolerede gribeblader, hvis der er risiko for, at skæretilbehøret kommer i kontakt med skjulte ledninger eller værktøjets egen ledning.** Hvis skæretilbehøret rammer en strømførende ledning, bliver elværktøjets blotlagte dele strømførende, så brugeren får stød
- ◆ **Brug skruetvinger eller lignende til at holde og støtte materialet på et stabilt underlag.** Det er ikke nok at holde materialet ind mod kroppen. Det bliver ustabil, og du kan miste kontrollen.



Advarsel! Kontakt med eller indånding af støvpartikler fra slibearbejde kan udgøre en fare for både brugerens og eventuelle omkringståendes helbred. Bær en specielt designet støvmaske til beskyttelse mod støv og røg, og sørg for, at personer på eller som indtræder på arbejdsområdet også er beskyttet.

- ◆ Man skal grundigt fjerne alt støv efter slibning.
- ◆ Man skal være specielt opmærksom ved slibning af malning, som er blybaseret, og ved slibning af nogle typer træ og metal, som kan frembringe giftigt støv:
 - ◆ Børn og gravide kvinder må ikke betræde arbejdsområdet.
 - ◆ Undgå at spise, drikke og ryge i arbejdsområdet.
 - ◆ Støvpartikler og andet affald skal bortskaffes på en sikker måde.
- ◆ Apparatets tilsigtede brug fremgår af denne vejledning. Brugen af ekstraudstyr eller tilbehør eller udførelse af opgaver med værktøjet ud over de i brugervejledningen anbefalede kan medføre risiko for personskade og/eller materiel skade.
- ◆ Tilbehøret fortsætter med at bevæge sig, efter at kontakten er sluppet. Sluk altid værktøjet, og vent, indtil tilbehørets bevægelse er helt ophørt, inden du lægger værktøjet fra dig.
- ◆ **Hold hænderne på afstand af skæreamrådet.** Ræk aldrig ind under materialet. Anbring ikke fingrene i nærheden af den frem- og tilbagegående klinge og klingeholderen. Stabiliser ikke saven ved at gribe omkring sålen.
- ◆ **Hold klingerne skarpe.** Døve eller beskadigede klinger kan få saven til at slingre eller standse under pres. Brug altid den rigtige type savklinger til materialet og formålet.
- ◆ Når der saves i rør og rørledninger, er det vigtigt, at de er fri for vand, elektriske ledninger osv.
- ◆ Rør ikke ved materialet eller klingens, umiddelbart efter at værktøjet har været i brug. De kan være meget varme.
- ◆ Vær opmærksom på skjulte farer, inden der saves i vægge, gulve eller lofter. Kontroller, om der findes ledninger og rør.

Andres sikkerhed

- ◆ Dette apparat må ikke bruges af personer (herunder børn) med nedsatte fysiske, sensoriske eller mentale evner eller manglende erfaring og viden, med mindre det sker under overvågning, eller der gives instruktion i brugen af apparatet af en person, der er ansvarlig for deres sikkerhed.
- ◆ Børn skal holdes under opsyn, så det sikres, at de ikke leger med værktøjet.

Restrisici.

Der kan opstå yderligere restrisici under brugen af værktøjet, som ikke kan medtages i vedlagte sikkerhedsadvarsler. Disse risici kan opstå pga. forkert anvendelse, langvarig brug etc. Selv ved overholdelse af relevante sikkerhedsforskrifter og anvendelse af sikkerhedsudstyr kan visse restrisici ikke undgås. Disse omfatter:

- ◆ Tilskadekomst forårsaget af berøring af roterende/bevægelige dele.
- ◆ Tilskadekomst forårsaget af udskiftning af dele, blade eller tilbehør.

- ◆ Tilskadekomst forårsaget af langvarig brug af et værktøj. Husk at holde pause jævnligt ved brug af et værktøj i længere tid.
- ◆ Høreskader.
- ◆ Sundhedsrisici forårsaget af indånding af støv, der genereres ved brug af værktøjet (eksempel: Arbejde med træ, især, eg, bøg og MDF).

Vibration

De angivne værdier for udsendelse af vibration opført under de tekniske data og overensstemmelseserklæringen er målt i henhold til standardtestmetoden anført i EN 60745 og kan bruges til at sammenligne ét værktøj med et andet. Den angivne værdi for udsendelse af vibration kan også bruges som en foreløbig vurdering af eksponeringen.

Advarsel! Værdien for udsendelse af vibration ved faktisk brug af elværktøjet kan afvige fra den angivne værdi afhængigt af måden, værktøjet anvendes på. Vibrationsniveauet kan overstige det angivne niveau.

I vurderingen af eksponeringen for vibration med henblik på fastsættelse af sikkerhedsforanstaltninger som krævet i 2002/44/EC til beskyttelse af personer, der jævnligt anvender elværktøj i deres arbejde, skal der tages hensyn til de faktiske betingelser under brugen, og måden værktøjet bruges på, herunder alle arbejds cyklussens elementer, f.eks. perioder, hvor værktøjet er slukket og kører i tomgang tillige med startperioderne.

Mærkatet på værktøjet

Værktøjet er forsynet med følgende advarselssymboler samt datokoden:



Advarsel! Brugeren skal læse brugervejledningen for at reducere risikoen for tilskadekomst.



Advarsel! Man skal altid bære støvmaske, når man bruger dette værktøj.

Elektricitet og sikkerhed



Dette værktøj er dobbeltisoleret. Derfor er en jordledning ikke nødvendig. Kontroller altid, at strømforsyningen svarer til spændingen på typeskiltet.

- ◆ Hvis netledningen beskadiges, skal den udskiftes af producenten eller et autoriseret BLACK+DECKER-værksted, så farlige situationer undgås.

Funktioner

Dette værktøj leveres med nogle af eller alle følgende komponenter.


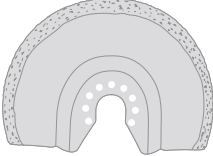
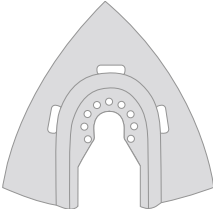
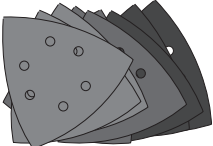
1. Tænd/sluk-kontakt
2. Drejeskive til trinløs hastighed
3. Super-lok™ Værktøjsløs fastspændingshåndtag til tilbehør
4. Silbefod
5. Støvudsugningsadapter
6. Tilpasset tilbehørsadapter (afstandsskive)
7. Tilpasset tilbehørsadapter (fastgørelsesbolt)

Tilbehør

Dette værktøj leveres med nogle af eller alle følgende tilbehørsdele.

Værktøjets ydeevne afhænger af det anvendte tilbehør. Tilbehør fra BLACK+DECKER og Piranha er fremstillet efter høje kvalitetsstandarder og er designet til at forbedre dit værktøjs ydeevne. Når du bruger dette tilbehør, vil værktøjet yde optimalt.

	Præcisionsavklinge til indsnit i træmaterialer og blød plastik. (Art. nr. - X26105-XJ) Skæring, indsnit og glatskæring af træ og blød plastik. Meget velegnet til arbejde på døre, fodlister, vindueskarme og gulve.
	Savklinge til indsnit i træ og metal. (Art.nr. - X26110-XJ) Skæring, indsnit og glatskæring af træ, plastik, tynde ikke-jernholdige rør og ekstruderinger, søm og skruber.
	Savklinge til indsnit i træ og metal. (Art.nr. - X26115-XJ) Skæring, indsnit og glatskæring af træ, plastik, tynde ikke-jernholdige rør og ekstruderinger.
	Segmenteret savklinge. (Art.nr. - X26120-XJ) Langtidsholdbar klinge, der er meget velegnet til savning i træ, plastik, tyndt jernholdigt og ikke-jernholdigt materiale.
	Stiv skraber. (Art.nr. - X26135-XJ) Meget velegnet til fjernelse af hårde og bløde materialer fra flade overflader, som f.eks. fjernelse af vinylbelægning på gulve, tæppeelim, gulvfliseim, cementmørtel, maling og lak.

	<p>Bøjelig skraber. (Art.nr. - X26140-XJ)</p> <p>Meget velegnet til fjernelse af elastomermaterialer fra hårde flade overflader på vanskeligt tilgængelige steder, som f.eks. silikoneforsegling og andre fugematerialer.</p>
	<p>Hårdmetalklinge til fjernelse af cementmørtel. (Art.nr. - X26125-XJ)</p> <p>Hårdmetalbelagt overflade velegnet til fjernelse af cementmørtel- og fliselim fra flade overflader, og til hurtig fjernelse af træ, spånplade og glasfiber.</p>
	<p>Hårdmetalarasp. (Art.nr. - X26130-XJ)</p> <p>Hårdmetalbelagt overflade velegnet til fjernelse af cementmørtel og til hurtig fjernelse af plastik, spånplade og glasfiber.</p>
	<p>Slibebark.</p> <p>Forskellige finheder til slibning af træ og malede og lakerede overflader.</p>

Samling

Montering og afmontering af tilbehørsdelene (fig. A - F)

Advarsel! Før montering af et tilbehør, skal værktøjets ledning trækkes ud af stikkontakten.

Montering af et BLACK+DECKER / Piranha tilbehør (fig. A - C)

- ◆ Hold værktøjet fast og klem på fastspændingshåndtaget til tilbehør(3).
- ◆ Lad tilbehøret (8) glide ind mellem skaffet og tilbehørs-holderen, og sørg for, at tilbehøret går i indgreb med alle otte stifter på holderen og flugter med skaffet.
- ◆ Slip fastspændingshåndtaget til tilbehør.

Bemærk: Nogle tilbehørsdele, som f.eks. skraberne og klinger, kan om nødvendigt monteres i en vinkel (fig. C).

Afmontering af et BLACK+DECKER / Piranha tilbehør (fig. A)

- ◆ Hold værktøjet fast og klem på fastspændingshåndtaget til tilbehør(3).

- ◆ Træk tilbehøret ud fra værktøjet, og sørg for, at tilbehøret går ud af indgreb med alle otte stifter på holderen.
- ◆ Slip fastspændingshåndtaget til tilbehør.

Advarsel: Der skal bæres handsker, når tilbehør afmonteres, da det kan blive meget varmt i brug.

Påsætning af et slibebark (fig. D)

- ◆ Placer slibebarket (9) på linje med slibefoden (4) som vist.
- ◆ Tryk arket hårdt og jævnt fast på slibefoden, og sørg for, at hullerne i arket passer med hullerne i foden.

Aftagning af et slibebark

- ◆ Træk slibebarket af slibefoden (4).

Advarsel! Brug aldrig slibefoden uden slibepapir eller påsat tilbehør.

Montering af støvudsugningsadapteren (fig. E)

- ◆ Placer støvudsugningsadapteren (5) på linje med slibefoden (4) som vist.
- ◆ Tryk adapteren hårdt og jævnt fast på slibefoden.
- ◆ Fastgør adapteren ved at dreje låsemøtrikken (12) med uret.
- ◆ Sæt en støvsugerslange til støvudsugningsadapteren.

Aftagning af støvudsugningsadapteren

- ◆ Drej låsemøtrikken (12) mod uret.
- ◆ Træk støvudsugningsadapteren (5) ud af slibefoden (4).

Påsætning af andre tilbehørsdele (fig. F)

- ◆ Monter afstandsskiven (6) på kraven (10).
- ◆ Monter det andet tilbehør (11) på kraven (10).
- ◆ Sæt fastgørelsesbolten (7) fast på plads for at sikre, at tilbehøret (11) sidder godt fast.

Bemærk: Afstandsskiven og fastgørelsesbolten anvendes ikke til montering af BLACK+DECKER tilbehør. BLACK+DECKER tilbehør monteres ved hjælp af Super-lok™ Værktøjsløs fastspændingshåndtag til tilbehør.

Anvendelse

Advarsel! Lad værktøjet arbejde i dets eget tempo. Det må ikke overbelastes.

Advarsel! Kontroller placeringen af ledninger og rør, inden der saves i vægge, gulve eller lofter.

Knap til indstilling af trinløs hastighed (fig. G)

Med knappen til indstilling af trinløs hastighed er det muligt at tilpasse værktøjets hastighed til anvendelsen.

- ◆ Anbring drejeskiven til trinløs hastighed (2) på den ønskede indstilling. På indstilling 1 kører værktøjet med lav hastighed, 10.000 min⁻¹. På indstilling 6 kører værktøjet med højeste hastighed, 22.000 min⁻¹.

Start og stop (fig. H)

- ◆ Tænd værktøjet ved at skubbe tænd/sluk-kontakten (1) fremad (position I).
- ◆ Sluk værktøjet ved at skubbe afbryderkontakten (1) bagud (position O).

Gode råd til optimal brug

- ◆ Hold godt fast i værktøjet. Til præcisionsarbejde skal værktøjet holdes nær forenden.
- ◆ Klem arbejdsemnet fast, når det er muligt, især når der anvendes savklinger.
- ◆ Tryk ikke for kraftigt på værktøjet.
- ◆ Brug altid den rigtige type tilbehør til materialet og formålet.
- ◆ Kontroller regelmæssigt tilbehørets tilstand. Udskift det, når det er nødvendigt.
- ◆ Marker det ønskede startpunkt.
- ◆ Tænd værktøjet, og lad langsomt tilbehøret trænge ind i materialet ved det ønskede startpunkt.
- ◆ Klem et stykke krydsfiner eller blødt træ på bagsiden af materialet, og sav gennem begge lag for at få et rent snit.
- ◆ Pres ikke savklingen ind i materialet. Bemærk, at det normalt tager længere tid at save i metalplader end i tykkere træemner.
- ◆ Læg et tyndt lag olie i skærelinjen, før du begynder savning i metal.
- ◆ Anvend ekstra finkornet slibepapir mellem påføring af malingslag.
- ◆ På meget ujævne overflader, eller når man fjerner lag af maling, skal man starte med en grov kornstørrelse. På andre overflader startes der med en mellemfin kornstørrelse. I begge tilfælde skal man gradvist ændre til en fin kornstørrelse for at opnå en glat finish.
- ◆ Få flere oplysninger om tilgængeligt tilbehør hos detailhandleren.

Vedligeholdelse

Dit BLACK+DECKER-apparat/værktøj med eller uden ledning er beregnet til brug gennem lang tid med et minimum af vedligeholdelse. Forsat tilfredsstillende drift afhænger af korrekt behandling af værktøjet samt regelmæssig rengøring.

Advarsel! Før udførelse af nogen form for vedligeholdelse på elværktøj med/uden ledning:

- ◆ Sluk, og tag apparatets/værktøjets stik ud af stikkontakten.
- ◆ Eller sluk og fjern batteriet fra apparatet/værktøjet, hvis det har en separat batteripakke.
- ◆ Eller aflad batteriet helt, hvis det er indbygget, og sluk derefter.
- ◆ Rengør jævnligt apparatets/værktøjets/laderens ventilationshuller med en blød børste eller en tør klud.

- ◆ Rengør med jævne mellemrum motorhuset med en fugtig klud. Der må ikke bruges skuremidler eller opløsningsmidler.

Udskiftning af stik (kun Storbritannien og Irland)

Sådan monteres et nyt netstik:

- ◆ Det gamle stik skal bortskaffes på en sikker måde.
- ◆ Slut den brune ledning til den strømførende klemme på det nye stik.
- ◆ Slut den blå ledning til den neutrale klemme.

Advarsel! Der skal ikke foretages nogen tilslutning til jordklemmen. Følg de monteringsanvisninger, der leveres sammen med kvalitetsstik. Anbefalet sikring: 5 A.

Miljøbeskyttelse



Separat bortskaffelse. Dette produkt må ikke bortskaffes sammen med almindeligt husholdningsaffald.

Når dit BLACK+DECKER-produkt en dag er udtjent, eller du ikke længere har brug for det, må du ikke smide det ud sammen med det almindelige affald. Produktet skal bortskaffes separat.



Ved separat bortskaffelse af brugte produkter og emballage bliver der mulighed for at genanvende forskellige materialer. Genanvendelse af materialer medvirker til at forebygge miljøforurening og mindsker behovet for råstoffer.

Lokal lovgivning kan kræve separat indsamling af elektriske husholdningsapparater på kommunale affaldsdepoter eller af den detailhandleren ved køb af et nyt produkt.

BLACK+DECKER sørger for at indsamle og genanvende BLACK+DECKER-produkter, når disse ikke længere kan bruges. Hvis du vil benytte dig af denne service, skal du returnere produktet til et autoriseret værksted, der indsamler produkterne for os.

Kontakt det lokale BLACK+DECKER-kontor på den adresse, der er angivet i denne vejledning, for at få oplysninger om nærmeste autoriserede værksted. En liste over alle autoriserede BLACK+DECKER-serviceværksteder samt servicevilkår og kontaktpersoner er tilgængelig på internettet på adressen: www.2helpU.com

Tekniske data

		MT300 (Type 1)	MT280 (Type 1)
Spænding	V_{AC}	230	230
Hastighed uden belastning	min^{-1}	10,000-22.000	10,000-22.000
Svingningsvinkel	Finhed	1,4 eller 2,8	1,4 eller 2,8
Indgang	W	300	280
Vægt	kg	1.53	1.53

Lydtrykniveau i henhold til EN 60745:	
Lydtryk (L_{pA})	90 dB(A), usikkerhed (K) 3 dB(A)
Lyd effekt (L_{WA})	101 dB(A), usikkerhed (K) 3 dB(A)

Samlede værdier for vibration (triaksial vektorsum) i henhold til EN 60745:	
Savning i træ ($a_{h,CW}$)	4,5 m/s^2 , usikkerhed (K) 1,5 m/s^2
Savning i metal ($a_{h,CM}$)	10,3 m/s^2 , usikkerhed (K) 1,5 m/s^2
Slibning (a_h)	11,4 m/s^2 , usikkerhed (K) 1,5 m/s^2

EF-overensstemmelseserklæring MASKINDIREKTIV



MT300, MT280 oscillerende værktøj

Black & Decker erklærer, at produkterne beskrevet under "Tekniske data" er i overensstemmelse med: 2006/42/EC, EN 60745-1:2009 +A11:2010, EN 60745-2-4:2009 +A11:2011

Disse produkter er endvidere i overensstemmelse med direktiv 2004/108/EF (indtil 19/04/2016) 2014/30/EU (fra 20/04/2016) og 2011/65/EU. Kontakt Black & Decker på nedenstående adresse eller se vejledningens bagside for at få flere oplysninger.

Undertegnede er ansvarlig for udarbejdelsen af de tekniske data og fremsætter denne erklæring på vegne af Black & Decker.

R. Laverick
Director of Engineering
Black & Decker Europe, 210 Bath Road, Slough,
Berkshire, SL1 3YD
Storbritannien
20/10/2015

Garanti

Black & Decker garanterer, at produktet er fri for skader og fejl og tilbyder en fremragende garanti. Garantien er et tillæg til forbrugers lovsikrede rettigheder og påvirker ikke disse. Garantien gælder inden for medlemsstaterne af den Europæiske Union og i det Europæiske Frihandelsområde.

Hvis et Black & Decker-produkt går i stykker på grund af materiel skade og/eller fabriktionsfejl eller på anden måde ikke fungerer i overensstemmelse med specifikationen inden for 24 måneder fra købsdatoen, påtager Black & Decker sig at reparere eller ombytte produktet med mindst mulig ulempe for kunden. Garantien gælder ikke for fejl og mangler, der er sket i forbindelse med:

- ◆ Produktet har været anvendt erhvervs-mæssigt eller til udlejning.
- ◆ Produktet har været anvendt forkert eller er ikke vedligeholdt.
- ◆ Produktet er beskadiget af fremmedlegemer, substanser eller pga. uheld.
- ◆ Garantien gælder ikke, hvis reparationer er udført af andre end et autoriseret Black & Decker-værksted.

For at udnytte garantien skal produktet og købskvitteringen indleveres til forhandleren eller til et autoriseret værksted. Kontakt det lokale Black & Decker-kontor på den adresse, der er opgivet i denne vejledning, for at få oplysninger om nærmeste autoriserede værksted. En liste over alle autoriserede Black & Decker-serviceværksteder samt servicevilkår og kontaktpersoner er tilgængelig på internettet på adressen: www.2helpU.com

Gå venligst ind på vores website www.blackanddecker.dk for at registrere dit nye produkt og for at blive holdt ajour om nye produkter og specialtilbud. Der findes yderligere oplysninger om mærket BLACK+DECKER og vores produktsortiment på adressen www.blackanddecker.dk

Käyttötarkoitus

Osilloiva BLACK+DECKER MT280, MT300 -monitoimityökalu on tarkoitettu käytettäväksi kodin nikkarointitöihin, kuten hiontaan. Se sopii myös puun, muovin, kipsin, ei-rautapitoisten metallien ja kiinnityselementtien (esim. karkaisematomat naulat, niitit) sahaamiseen, pehmeiden seinälaattojen työstämiseen sekä pienten pintojen kaapimiseen. Tämä työkalu on tarkoitettu vain yksityiskäyttöön.

Turvallisuusohjeet

Sähkötyökalujen yleiset turvavaroitukset



Varoitus! Lue kaikki turvavaroitukset ja ohjeet. Alla olevien varoitusten ja ohjeiden noudattamisen laiminlyönti saattaa johtaa sähköiskkuun, tulipaloon ja/tai vakavaan loukkaantumiseen.

Säästä kaikki varoitukset ja ohjeet tulevaa käyttöä varten. Varoituksissa käytetty käsite "sähkötyökalu" tarkoittaa verkkokäyttöisiä sähkötyökaluja (joissa on verkkojohto) ja akukäyttöisiä sähkötyökaluja (joissa ei ole verkkojohtoa).

1. Työalueen turvallisuus

- Pidä työalue puhtaana ja hyvin valaistuna.** Työpaikan epäjärjestys tai valaisemattomat työalueet voivat johtaa tapaturmiin.
- Älä käytä sähkötyökalua räjähdysalttiissa ympäristössä, jossa on palavaa nestettä, kaasua tai pölyä.** Sähkötyökalu saa aikaan kipinöitä, jotka saattavat sytyttää pölyn tai höyryt.
- Pidä lapset ja sivulliset loitolla sähkötyökalua käyttäessäsi.** Voit menettää laitteen hallinnan, jos huomiosi suuntautuu muualle.

2. Sähköturvallisuus

- Sähkötyökalun pistokkeen on sovitava pistorasiaan.** Pistoketta ei saa muuttaa millään tavalla. Älä käytä mitään pistorasiasovittimia maadoitettujen sähkötyökalujen kanssa. Alkuperäiset pistokkeet ja niille sopivat pistorasiat vähentävät sähköiskun vaaraa.
- Vältä koskettamasta maadoitettuja pintoja, kuten putkia, pattereita, liesiä tai jääkaappeja.** Sähköiskun vaara kasvaa, jos kehosi on maadoitettu.
- Älä altista sähkötyökalua sateelle tai kosteudelle.** Veden tunkeutuminen sähkötyökalun sisään lisää sähköiskun riskiä.
- Älä käsittele virtajohtoa kovakouraisesti. Älä käytä sitä sähkötyökalun kantamiseen, vetämiseen tai pistokkeen irrottamiseen pistorasiasta.** Pidä johto loitolla kuumuudesta, öljystä, terävistä reunoista ja liikkuvista osista. Vahingoittuneet tai sotkeutuneet johdot

lisäävät sähköiskun vaaraa.

- Käyttäessäsi sähkötyökalua ulkona käytä ainoastaan ulkokäyttöön soveltuvaa jatkojohtoa.** Ulkokäyttöön soveltuvan jatkojohdon käyttö pienentää sähköiskun vaaraa.
- Jos sähkötyökalua on välttämättä käytettävä kosteassa paikassa, käytä jännösvirtalaitteella (RCD) suojattua virtalähdettä.** Jännösvirtalaitteen käyttö vähentää sähköiskun vaaraa.

3. Henkilöturvallisuus

- Keskity työskentelyysi ja noudata tervettä järkeä käyttäessäsi sähkötyökaluja. Älä käytä sähkötyökalua, jos olet väsynyt tai huumeiden, alkoholin tai lääkkeiden vaikutuksen alaisena.** Hetken tarkkaamattomuus sähkötyökalua käytettäessä saattaa johtaa vakavaan loukkaantumiseen.
- Käytä henkilökohtaisia suojavarusteita. Käytä aina suojalaseja.** Suojavarusteet, kuten hengityssuojain, luistamattomat turvajalkineet, kypärä ja kuulosuojaimet, pienentävät loukkaantumiseriskiä, jos niitä käytetään tilanteen mukaan oikein.
- Vältä tahatonta käynnistämistä. Varmista, että kytkin on OFF-asennossa, ennen kuin liität laitteen virtalähteeseen ja/tai akkuun, nostat laitteen tai kannat sitä.** Onnettomuusvaara lisääntyy, jos kannat sähkötyökalua somi käyttökylkimellä tai kytket työkalun virtajohdon pistorasiaan, kun käyttökytkin on päällä.
- Irrota mahdollinen säätö- tai kiintoavain, ennen kuin käynnistät sahan.** Sahan pyöriivään osaan kiinni jäänyt avain voi johtaa loukkaantumiseen.
- Älä kurkota liian kauas. Seiso aina tukevasti ja tasapainossa.** Tällöin voit paremmin hallita sähkötyökalua yllättävissä tilanteissa.
- Käytä tarkoitukseen soveltuvia vaatteita. Älä käytä löysiä työvaatteita tai koruja. Pidä hiukset, vaatteet ja käsineet loitolla liikkuvista osista.** Väljät vaatteet, korut ja pitkät hiukset voivat takertua liikkuviin osiin.
- Jos laitteeseen voi kiinnittää pölynkerääjän tai -imurin, tarkista, että se on paikallaan ja että se toimii kunnolla.** Pölynimurin käyttö voi vähentää pölyn aiheuttamia vaaroja.

4. Sähkötyökalujen käyttö ja hoito

- Älä ylikuormita sähkötyökalua. Käytä kyseiseen työhön tarkoitettua sähkötyökalua.** Sopivaa sähkötyökalua käyttäen työskentelet paremmin ja turvallisemmin tehoalueella, jolle sähkötyökalu on tarkoitettu.

- b. Älä käytä sähkötyökalua, jota ei voida käynnistää ja pysäyttää virtakytkimestä. Jos sähkötyökalua ei voi käynnistää ja pysäyttää virtakytkimellä, se on vaarallinen ja se täytyy korjata.
- c. Irrota pistotulppa pistorasiasta ja/tai akku laitteesta, ennen kuin suoritat säätöjä, vaihdat tarvikkeita tai siirät sähkötyökalun varastoitavaksi. Nämä turvatoimenpiteet pienentävät sähkötyökalun tahattoman käynnistämisen riskiä.
- d. Säilytä sähkötyökalut poissa lasten ulottuvilta, kun niitä ei käytetä. Älä anna sähkötyökalua sellaisen henkilön käyttöön, joka ei tunne sitä tai joka ei ole tutustunut tähän käyttöohjeeseen. Sähkötyökalut ovat vaarallisia kokemattoman käyttäjän käsissä.
- e. Hoida sähkötyökalusi huolella. Tarkista, että liikkuvat osat toimivat moitteettomasti ja etteivät ne ole puristuksessa. Tarkista myös, ettei työkalussa ei ole murtuneita tai vahingoittuneita osia, jotka saattaisivat vaikuttaa haitallisesti sen toimintaan. Korjauta mahdolliset viat ennen käyttöönottoa. Moni tapaturma aiheutuu huonosti huolletuista laitteista.
- f. Pidä leikkausterät terävinä ja puhtaina. Huolellisesti hoidetut leikkausterät, joiden leikkausreunat ovat teräviä, eivät tartu helposti kiinni, ja niitä on helpompi hallita.
- g. Käytä sähkötyökaluja, tarvikkeita, vaihtotyökaluja jne. näiden ohjeiden mukaisesti. Ota tällöin huomioon työolosuhteet ja suoritettava toimenpide. Sähkötyökalun käyttö muuhun kuin sille määrättyyn käyttöön saattaa johtaa vaarallisiin tilanteisiin.

5. Huolto

- a. Korjauta sähkötyökalu koulutetulla ja ammattitaitoisella henkilöllä ja hyväksy korjauksiin vain alkuperäisiä varaosia. Siten varmistat, että sähkötyökalu säilyy turvallisena.



Varoitus! Oskilloivien monitoimityökalujen lisäturvavaroitukset

- ◆ Pitele sähkötyökalua eristetyistä tartuntapinnoista tehdessäsi työtä, jossa työkalu voi joutua kosketuksiin piilossa olevien sähköjohtojen tai oman virtajohtonsa kanssa. Työkalun kosketus jännitteisen johtimen kanssa voi tehdä myös työkalun paljaista metalliosista jännitteisiä ja aiheuttaa sähköiskun käyttäjälle.
- ◆ Kiinnitä työstettävä kappale esimerkiksi ruuvipuristimella tukevaan alustaan. Kappaleen kannatteleminen käsin tai sen tukeminen omaa vartaloa vasten voi johtaa kappaleen irtoamiseen ja vaaratilanteeseen.



Varoitus! Hiontayöstä syntyvä pöly voi aiheuttaa terveyshaittoja käyttäjälle ja mahdollisille sivullisille. Käytä kasvosuojusta, joka on erityisesti tarkoitettu suojaamaan pölyltä ja höyryiltä, ja varmista, että kaikki työskentelyalueella olevat ja sinne tulevat henkilöt käyttävät suojavarusteita.

- ◆ Poista pöly huolellisesti hionnin jälkeen.
- ◆ Ole erityisen varovainen hioessasi liijyä mahdollisesti sisältäviä maalipintoja tai puu- ja metallipintoja, joista voi irrota myrkyllistä hiomapölyä.
 - ◆ Älä päästä lapsia tai raskaana olevia naisia työalueelle.
 - ◆ Älä syö, juo tai tupakoi työalueella.
 - ◆ Hävitä pöly ja muu jäte ympäristöystävällisesti.
- ◆ Työkalun käyttötarkoitus on kuvattu tässä käyttöohjeessa. Käytä työkalua ainoastaan sellaiseen työhön, johon se on tarkoitettu, ja käytä vain käyttöohjeessa ja tuotekuvastossa suositeltuja tarvikkeita ja lisälaitteita. Ohjeesta poikkeava käyttö voi aiheuttaa henkilö- ja/tai omaisuusvahinkoja.
- ◆ Lisävarusteen liike jatkuu hetken käyttökylmän vapautamisen jälkeen. Katkaise virta ja odota, että lisävarusteen liike on kokonaan pysähtynyt, ennen kuin lasket koneen käsistäsi.
- ◆ **Pidä kätesi pois leikkausalueelta.** Älä koskaan työnnä kättäsi työstettävän kappaleen alapuolelle. Älä työnnä sormia liikkuvan terän tai sen kiinnikkeen läheisyyteen. Älä tue sahaa pitämällä kiinni sahausjalasta.
- ◆ **Pidät terät terävinä.** Tylsät tai vahingoittuneet terät voivat leikata vinoon tai jäädä kiinni. Käytä työstettävään materiaaliin soveltuvaa sahanterää, jolla saat haluamasi sahausjäljen.
- ◆ Jos sahaat putkea tai kotelointia, tarkista ensin, ettei sen sisällä ole vettä, sähköjohtoa, tms.
- ◆ Älä kosketa terää tai työstettyä kappaletta heti sahausksen jälkeen. Ne voivat olla hyvin kuumia.
- ◆ Varo piilossa olevia vaaroja. Tarkista sähköjohtojen ja putkien sijainti ennen kuin sahaat seinää, lattiaa tai kattoa.

Muiden henkilöiden turvallisuus

- ◆ Tätä laitetta ei ole tarkoitettu sellaisten henkilöiden käyttöön, joilla on fyysisiä tai älyllisiä rajoitteita tai aistirajoitteita, eikä laitteen toimintaan perehtymättömien henkilöiden käyttöön (lapset mukaan luettuina), paitsi valvonnan alaisina tai jos he ovat saaneet laitteen käyttöön liittyvää opastusta heidän turvallisuudestaan vastaavalta henkilöltä.
- ◆ Lapsia on valvottava ja heitä on estettävä leikkimästä laitteella.

Muut riskit.

Muut riskit ovat mahdollisia, jos käytät työkalua muulla kuin turvavaroituksissa mainitulla tavalla. Nämä riskit voivat liittyä muun muassa virheelliseen tai pitkäaikaiseen käyttöön. Tiettyjä jäännösriskejä ei voi välttää, vaikka noudatat kaikkia turvamääräyksiä ja käytät turvalaitteita. Näihin kuuluvat muun muassa

- ◆ pyörivien tai liikkuvien osien koskettamisen aiheuttamat vahingot
- ◆ osia, teriä tai lisävarusteita vaihdettaessa aiheutuneet vahingot
- ◆ työkalun pitkäaikaisen käytön aiheuttamat vahingot Kun käytät työkalua pitkään, varmista, että pidät säännöllisesti taukoja.
- ◆ kuulovauriot
- ◆ työkalua käytettäessä (esimerkiksi puuta, erityisesti tammea, pyökkiä ja MDF-levyjä, käsiteltäessä) syntyneen pölyn sisäänhengityksen aiheuttamat terveysriskit.

Tärinä

Teknisissä tiedoissa ja vaatimustenmukaisuusilmoituksessa ilmoitetut tärinäpäästöarvot on mitattu standardin EN 60745 testausmenetelmän mukaisesti, ja niiden avulla voidaan vertailla työkaluja keskenään. Ilmoitettua tärinäpäästöarvoa voidaan käyttää myös altistumisen alustavaan arviointiin.

Varoitus! Sähkötyökalun käytön aikana mitattu todellinen tärinäpäästöarvo voi poiketa ilmoitetusta tärinäpäästöarvosta työkalun käyttötavan mukaan. Tärinätaso voi olla ilmoitettuun tasoa suurempi.

Kun tärinälle altistumista arvioidaan sen määrittämiseksi, mitä direktiivin 2002/44/EY mukaisia turvatoimenpiteitä vaaditaan sähkötyökaluja säännöllisesti käyttävien henkilöiden suojelemiseksi, tärinälle altistumisen arvioinnissa on otettava huomioon todelliset käyttöolosuhteet ja työkalun käyttötavat. Todellisen käytön lisäksi on kiinnitettävä huomiota myös siihen, milloin työkalu on sammutettuna tai se käy tyhjäkäynnillä.

Laitteessa olevat merkinnät

Työkaluun on merkitty päivämääräkoodi sekä seuraavat varoitusmerkinnät:



Varoitus! Käyttäjän on luettava käyttöohje vahinkojen välttämiseksi.



Varoitus! Käytä aina pölynsuojainta käytäessäsi tätä työkalua.

Sähköturvallisuus



Tämä laite on kaksoiseristetty, joten erillistä maadoitusta ei tarvita. Tarkista aina, että virtilähde vastaa arvokilvessä ilmoitettua jännitettä.

- ◆ Jos virtajohto vahingoittuu, sen vaihtaminen tulee turvallisuussyistä jättää valmistajan tai valtuutetun BLACK+DECKER -huollon tehtäväksi.

Yleiskuvas

Tässä työkalussa on joitakin tai kaikki seuraavista ominaisuuksista.

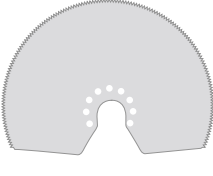
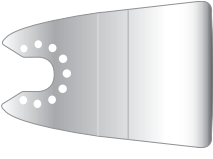

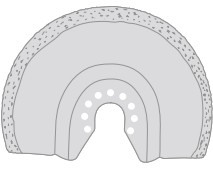
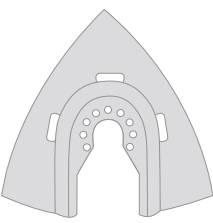
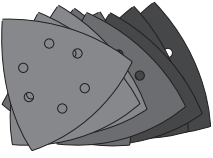
1. Virtakytkin
2. Nopeudenvälitsin
3. Super-lok™, työkaluvapaa lisävarusteiden kiinnitysvipu
4. Hioma-alusta
5. Pölynimurisovitin
6. Työstetty lisävarustesovitin (välikkappale)
7. Työstetty lisävarustesovitin (kiinnityspultti)

Lisävarusteet

Tässä työkalussa on joitakin tai kaikki seuraavista lisävarusteista.

Työkalun suorituskyky riippuu käytetystä lisävarusteesta. Korkealaatuiset BLACK+DECKER- ja Piranha -lisävarusteet on suunniteltu parantamaan työkalun suorituskykyä. Käyttämällä näitä lisävarusteita saat työkalustasi parhaan hyödyn.

	<p>Tarkka pistosahanterä puumateriaaleille ja pehmeille muoveille.(osanumero - X26105-XJ)</p> <p>Puun ja pehmeiden muovien irrottamiseen, pistosahaukseen ja tasakatkaisuun. Täydellinen ovien, jalkalistojen, ikkunalaatojen ja lattoiden työstämiseen.</p>
	<p>Pistosahanterä puulle ja metallille. (osanumero - X26110-XJ)</p> <p>Puun, muovien, ohutseinäisten ei-rautapitoisten putkien sekä kiinnityslistojen, nauhojen ja ruuvien irrottamiseen, pistosahaukseen ja tasakatkaisuun.</p>
	<p>Pistosahanterä puulle ja metallille. (osanumero - X26115-XJ)</p> <p>Puun, muovien, ohutseinäisten ei-rautapitoisten putkien sekä kiinnityslistojen irrottamiseen, pistosahaukseen ja tasakatkaisuun.</p>

	<p>Segmentoitu sahanterä. (osanumero - X26120-XJ)</p> <p>Pitkäikäinen terä, joka sopii täydellisesti puun, muovien sekä ohutsuinäisten rautapitoisten ja ei-rautapitoisten materiaalien sahaamiseen.</p>
	<p>Jäykkä kaavin. (osanumero - X26135-XJ)</p> <p>Sopii täydellisesti kovien ja pehmeiden materiaalien poistamiseen tasaisilta pinoilta, esimerkiksi vinylilattioiden, liimalla sidottujen mattojen, lattialaattojen liiman, laastin, maalin ja lakan poistamiseen.</p>
	<p>Joustava kaavin. (osanumero - X26140-XJ)</p> <p>Sopii täydellisesti elastomeerimateriaalien poistamiseen kovilta ja tasaisilta pinoilta vaikeasti saavutettavilta alueilta, esim. silikonitiivistäiden ja muiden tiivisteiden poistamiseen.</p>
	<p>Karbidiininen laastinpoistoterä. (osanumero - X26125-XJ)</p> <p>Karbidipinnoituksen ansiosta sopii täydellisesti laastin ja laattaliiman poistamiseen tasaisilta pinoilta sekä puun, lastulevyjen ja lasikuidun nopeaan lastuamiseen.</p>
	<p>Karbidiiraspi. (osanumero - X26130-XJ)</p> <p>Karbidipinnoituksen ansiosta sopii täydellisesti laastin poistamiseen sekä muovin, lastulevyjen ja lasikuidun nopeaan lastuamiseen.</p>
	<p>Hiomapaperi.</p> <p>Monentyypisiä puun sekä maalattujen ja lakattujen pintojen hiomiseen.</p>

Kokoaminen

Lisävarusteiden kiinnittäminen ja irrottaminen (kuvat A–F)

Varoitus! Ennen lisävarusteen kiinnittämistä irrota työkalun virtajohto sähköverkosta.

BLACK+DECKER / Piranha -lisävarusteen kiinnittäminen (kuvat A–C)

- ◆ Pitele työkalua ja paina lisävarusteiden kiinnitysvipua (3).
- ◆ Liu'uta lisävaruste (8) varren ja lisävarustepidikkeen väliin varmistaen, että lisävaruste kiinnittyy kaikkiin kahdeksaan pidikkeen tappiin ja että se on samansuuntainen varren kanssa.
- ◆ Vapauta lisävarusteiden kiinnitysvipu.

Huomautus: Jotkut lisävarusteet, kuten kaapimet ja terät, voidaan tarvittaessa kiinnittää kulmassa (kuva C).

BLACK+DECKER / Piranha -lisävarusteen irrottaminen (kuva A)

- ◆ Pitele työkalua ja paina lisävarusteiden kiinnitysvipua (3).
- ◆ Vedä lisävaruste työkalusta varmistaen, että lisävaruste irtoaa kaikista pidikkeen kahdeksasta tapista.
- ◆ Vapauta lisävarusteiden kiinnitysvipu.

Varoitus: Lisävarusteita irrotettaessa on käytettävä käsineitä, sillä ne saattavat kuumentua käytön aikana.

Hiomapaperin kiinnittäminen (kuva D)

- ◆ Aseta hiomapaperi (9) hioma-alustan (4) suuntaisesti kuvan osoittamalla tavalla.
- ◆ Aseta hiomapaperi tukevasti ja tasaisesti hioma-alustalle. Varmista, että paperissa olevat reiät vastaavat alustan reikiä.

Hiomapaperin irrottaminen

- ◆ Vedä hiomapaperi irti hioma-alustasta (4).

Varoitus! Älä käytä hioma-alustaa ilman hiomapaperia tai lisäosaa.

Pölynimurisovittimen kiinnittäminen (kuva E)

- ◆ Aseta pölynimurisovitin (5) hioma-alustan (4) suuntaisesti kuvan osoittamalla tavalla.
- ◆ Paina sovitin tiukasti ja tasaisesti kiinni hioma-alustaan.
- ◆ Kiinnitä sovitin kiertämällä lukitusmutteria (12) myötäpäivään.
- ◆ Kiinnitä pölynimuri pölynimurisovittimeen.

Pölynimurisovittimen irrottaminen

- ◆ Kierrä lukitusmutteria (12) vastapäivään.
- ◆ Vedä pölynimurisovitin (5) irti hioma-alustasta (4).

Vaihtoehtoisten lisävarusteiden kiinnitys (kuva F)

- ◆ Aseta välikappale (6) holkkiin (10).
- ◆ Aseta vaihtoehtoinen lisävaruste (11) holkkiin (10).
- ◆ Kiinnitä kiinnityspultti (7) tiukasti paikoilleen vaihtoehtoisen lisävarusteen kiristämiseksi (11).

Huomautus: Välikappaleita ja kiinnityspultteja ei käytetä BLACK+DECKER -lisävarusteiden kiinnittämiseen.

BLACK+DECKER -lisävarusteet kiinnitetään Super-lok™ työkaluvapaalla lisävarusteiden kiinnitysvivulla.

Käyttö

Varoitus! Anna työkalun käydä omaan tahtiinsa. Älä ylikuormita sitä.

Varoitus! Ennen kuin sahaat seiniä, lattiaa tai kattoja, tarkista sähköjohtojen ja putkien sijainti.

Portaaton nopeudensäätö (kuva G)

Portaattoman nopeudensäädön avulla voit sovittaa laitteen nopeuden käyttötarkoitukseen sopivaksi.

- ◆ Kierrä nopeudenvaihtin (2) haluttuun asentoon. Tasolla 1 työkalu käy alhaisella nopeudella, 10 000 min⁻¹. Tasolla 6 työkalu toimii maksiminopeudella, 22 000 min⁻¹.

Käynnistys ja sammutus (kuva H)

- ◆ Käynnistä työkalu siirtämällä virtakytkintä (1) eteenpäin (asentoon I).
- ◆ Sammuta työkalu siirtämällä virtakytkintä (1) taaksepäin (asentoon O).

Vinkkejä parhaimman tuloksen saavuttamiseksi

- ◆ Pitele työkalua aina tukevasti. Tarkkuutta vaativissa töissä pitele työkalua edestä.
- ◆ Kiinnitä työkappale puristimella aina kun mahdollista, etenkin sahanteriä käytettäessä.
- ◆ Älä paina konetta liikaa.
- ◆ Käytä työstettävään materiaaliin ja haluamaasi sahausjälkeen soveltuvaa lisävarustetta.
- ◆ Tarkista lisävarusteiden kunto säännöllisesti. Vaihda tarvittaessa.
- ◆ Merkitse haluttu aloituspiste.
- ◆ Kytke työkalu päälle ja syötä lisälaitteita hitaasti työkappaleeseen halutussa aloituspisteessä.
- ◆ Kiinnitä pala vaneria tai pehmeää puuta työkappaleen takapuolelle ja sahaa kerrosten läpi tasaisen sahausjäljen saavuttamiseksi.
- ◆ Älä työnä sahanterää väkisin työkappaleeseen. Ota huomioon, että metallilevyjen sahaaminen vie tavallisesti enemmän aikaa kuin paksumpien puisten työkappaleiden sahaaminen.
- ◆ Sahatessasi metallia levitä ohut öljykerros sahausinjalle ennen sahaamista.

- ◆ Hiottaessa maalikerrosten välillä käytä erittäin hienoa hiomapaperia.
- ◆ Aloita karkealla hiomapaperilla hioessasi epätasaisia pintoja tai poistaessasi maalia. Kun hiot muunlaisia pintoja, aloita keskikarkealla hiomapaperilla. Molemmissa tapauksissa vaihda asteittain hienompaan hiomapaperiin tasaisen pinnan saavuttamiseksi.
- ◆ Saat lisätietoja saatavilla olevista tarvikkeista jälleenympäilytasi.

Huolto

Verkkojohdolla varustettu tai verkkojohdoton BLACK+DECKER -laite-/työkalu on suunniteltu toimimaan mahdollisimman kauan mahdollisimman vähällä huollolla. Oikealla huollolla ja säännöllisellä puhdistuksella työkalu säilyttää suorituskykynsä.

Varoitus! Toimi ennen verkkojohdolla varustetun tai verkkojohdoton sähkötyökalun huoltoa seuraavasti:

- ◆ Sammuta laite/työkalu ja irrota se verkkovirrasta.
- ◆ Jos laitteessa/työkalussa on erillinen akku, sammuta laite/työkalu ja irrota sen akku.
- ◆ Jos akku on kiinteä, käytä akku täysin loppuun ja sammuta laite sitten.
- ◆ Puhdista laitteen/työkalun/laturin ilma-aukot säännöllisesti pehmeällä harjalla tai kuivalla kangasliinalla.
- ◆ Puhdista moottorikotelo säännöllisesti kostealla liinalla. Älä koskaan käytä puhdistamiseen liuotainaineita tai syövyttäviä puhdistusaineita.

Virtapistokkeen vaihto (vain Iso-Britannia ja Irlanti)

Jos joudut vaihtamaan virtapistokkeen:

- ◆ Hävitä vanha pistoke ympäristöstävällisesti.
- ◆ Liitä ruskea johto uuden pistokkeen jännitteeseen napaan.
- ◆ Liitä sininen johto tähtipisteliittimeen.

Varoitus! Maadoitusliittimeen ei liitetä johtoa. Noudata pistokkeen mukana toimitettuja kiinnitysohjeita. Suositeltava sulake: 5 A.

Ympäristönsuojelu



Erillinen keräys. Tätä tuotetta ei saa hävittää normaalin kotitalousjätteen mukana.

Kun BLACK+DECKER -laitteesi aikanaan täytyy vaihtaa tai ei kelpaa enää käyttöön, älä hävitä laitetta kotitalousjätteen mukana. Toimita laite kierrätettäväksi.



Käytettyjen tuotteiden ja pakkausmateriaalien erilliskeruun avulla materiaalit voidaan kierrättää ja käyttää uudelleen.

Kierrätysmateriaalien käyttö auttaa vähentämään ympäristön saastumista ja uusien raaka-aineiden tarvetta.

EY-vaatimustenmukaisuusvakuutus

KONEDIREKTIIVI



MT300, MT280 oskilloiva työkalu

Black & Decker ilmoittaa, että tuotteet, jotka on kuvattu kohdassa Tekniset tiedot, täyttävät seuraavien direktiivien vaatimukset:

2006/42/EC, EN 60745-1:2009 +A11:2010,
EN 60745-2-4:2009 +A11:2011

Nämä tuotteet täyttävät myös direktiivien 2004/108/EY (19.4.2016 saakka), 2014/30/EU (20.4.2016 alkaen) ja 2011/65/EU vaatimukset. Lisätietoja saa ottamalla yhteyden Black & Deckeriin seuraavassa osoitteessa. Tiedot ovat myös käyttöohjeen takakannessa.

Allekirjoittanut vastaa teknisten tietojen kokoamisesta ja antaa tämän ilmoituksen Black & Deckerin puolesta.

R.Laverick

Director of Engineering

Black & Decker Europe, 210 Bath Road, Slough,

Berkshire, SL1 3YD

Yhdistynyt kuningaskunta

20/10/2015

Paikallisissa säädöksissä voidaan määrätä, että kodin sähkötuotteiden keruu tapahtuu kaupunkien jätteidenkäsittelyasemilla tai laitteita myyvissä liikkeissä uuden tuotteen oston yhteydessä.

Kun laitteesi on käytetty loppuun, älä hävitä sitä tavallisten roskien mukana, vaan vie se paikkakuntasi kierrätyskeskukseen tai jätä se valtuutettuun BLACK+DECKERin huoltoilikeeseen.

Saat valtuutettujen huoltoilikeiden yhteystiedot ottamalla yhteyden BLACK+DECKER Oy:hyn tässä käyttöoppaassa ilmoitetussa osoitteessa. Valtuutettujen BLACK+DECKER -huoltoilikeiden yhteystiedot sekä lisätietoja palveluistamme ja takuuhoidoista on myös Internetissä osoitteessa www.2helpU.com

Tekniset tiedot

		MT300 (tyyppi 1)	MT280 (tyyppi 1)
Jännite	V_{AC}	230	230
Kuormittamaton nopeus	min^{-1}	10,000-22,000	10,000-22,000
Värähtelykulma	Astetta	1,4 tai 2,8	1,4 tai 2,8
Virta	W	300	280
Paino	kg	1.53	1.53

Äänenpainetaso standardin EN 60745 mukaisesti:

Äänenpaine (L_{pA}) 90 dB(A), epävarmuus (K) 3 dB(A)

Äänitehotaso (L_{WA}) 101 dB(A), epävarmuus (K) 3 dB(A)

Tärinän kokonaisarvot (vektorisumma) standardin EN 60745 mukaisesti:

Leikattaessa puuta ($a_{h,CW}$) 4.5 m/s^2 , epävarmuus (K) 1,5 m/s^2

Leikattaessa metallia ($a_{h,CM}$) 10.3 m/s^2 , epävarmuus (K) 1,5 m/s^2

Hiottaessa (a_v) 11.4 m/s^2 , epävarmuus (K) 1,5 m/s^2

Takuu

Black & Decker takaa, ettei tuotteessa ole materiaali- ja/tai valmistusvikaa silloin, kun se toimitetaan ostajalle. Takuu on lisäys kuluttajan laillisiin oikeuksiin eikä vaikuta niihin. Takuu on voimassa Euroopan unionin jäsenmaissa ja Euroopan vapaakauppa-alueella (EFTA).

Mikäli Black & Decker -kone hajoaa materiaali- ja/tai valmistusvirheen tai teknisten tietojen epätarkkuuden vuoksi 24 kk:n kuluessa ostopäivästä, Black & Decker korjaa koneen ilman kustannuksia ostajalle tai vaihtaa sen Black & Decker Oy:n valinnan mukaan. Takuu ei kata vikoja, jotka johtuvat seuraavista:

- ◆ Tuotetta on käytetty kaupallisesti, ammattimaisesti tai vuokraukseen.
- ◆ Tuotetta on käytetty tai hoidettu virheellisesti.
- ◆ Tuotetta on vahingoitettu vieraalla esineellä tai aineella tai se on ollut onnettomuudessa.
- ◆ Jos korjauksia on yrittänyt joku muu kuin Black & Deckerin valtuuttama edustaja tai Black & Deckerin henkilökunta.

Edellytyksenä takuun saamiselle on, että ostaja jättää koneen ja ostokuitin jälleenmyyjälle tai valtuutetulle huoltoliikkeelle.

Saat valtuutettujen huoltoliikkeiden yhteystiedot ottamalla yhteyden Black & Decker Oy:hyn tässä käyttöoppaassa ilmoitetussa osoitteessa. Valtuutettujen Black & Decker -huoltoliikkeiden yhteystiedot sekä lisätietoja palveluistamme ja takuuehdoista on myös Internetissä osoitteessa www.2helpU.com

Voit rekisteröidä uuden BLACK+DECKER -tuotteesi ja tarkastella tietoja uusista tuotteista ja erikoistarjouksista verkkosivuillamme www.blackanddecker.fi. Saat lisätietoja BLACK+DECKERin tavaramerkistä ja tuotevalikoimastamme osoitteesta www.blackanddecker.fi.

Ενδεξιμένη χρήση

Το παλιμκό εργαλείο BLACK+DECKER MT280, MT300 έχει σχεδιαστεί για εφαρμογές DIY όπως εργασίες λείανσης. Είναι επίσης κατάλληλο για την κοπή ξύλινων υλικών, πλαστικού, γύψου, μη σιδηρούχων μετάλλων και εξαρτημάτων στερέωσης (π.χ., μη σκληρυμένα καρφιά, συνδετήρες), την επεξεργασία μαλακών πλακιδίων τοίχου και την απόξεση μικρών επιφανειών. Αυτό το εργαλείο προορίζεται μόνο για ερασιτεχνική χρήση.

Οδηγίες ασφαλείας

Γενικές προειδοποιήσεις ασφαλείας για τα ηλεκτρικά εργαλεία



Προειδοποίηση! Διαβάστε όλες τις προειδοποιήσεις ασφαλείας και όλες τις οδηγίες. Η μη τήρηση των παρακάτω προειδοποιήσεων και οδηγιών μπορεί να προκαλέσει ηλεκτροπληξία, πυρκαγιά ή/και σοβαρούς τραυματισμούς.

Φυλάξτε όλες τις προειδοποιήσεις και τις οδηγίες για μελλοντική αναφορά. Ο χαρακτηρισμός "ηλεκτρικό εργαλείο" που χρησιμοποιείται στις προειδοποιήσεις αφορά το εργαλείο που συνδέεται στην πρίζα (με καλώδιο) ή τα εργαλεία που λειτουργούν με μπαταρία (χωρίς καλώδιο).

1. Ασφάλεια χώρου εργασίας

- Διατηρείτε το χώρο που εργάζεστε καθαρό και καλά φωτισμένο.** Η αβία στο χώρο εργασίας και τα σημεία χωρίς καλό φωτισμό μπορεί να οδηγήσουν σε ατυχήματα.
- Μη χρησιμοποιείτε ηλεκτρικά εργαλεία σε περιβάλλον όπου υπάρχει κίνδυνος έκρηξης, π.χ. παρουσία εύφλεκτων υγρών, αερίων ή σκόνης.** Τα ηλεκτρικά εργαλεία μπορεί να δημιουργήσουν σπινθηρισμό ο οποίος μπορεί να αναφλέξει τη σκόνη ή τις αναθυμιάσεις.
- Όταν χρησιμοποιείτε το ηλεκτρικό εργαλείο, κρατάτε τα παιδιά και τα υπόλοιπα άτομα μακριά από το χώρο εργασίας.** Σε περίπτωση που άλλα άτομα αποσπάσουν την προσοχή σας μπορεί να χάσετε τον έλεγχο του εργαλείου.

2. Ασφαλής χρήση ηλεκτρικού ρεύματος

- Το φισ του καλωδίου του ηλεκτρικού εργαλείου πρέπει να ταιριάζει στην αντίστοιχη πρίζα. Δεν επιτρέπεται με κανέναν τρόπο η μετασκευή του φισ. Μη χρησιμοποιείτε προσαρμοστικά φισ με γειωμένα ηλεκτρικά εργαλεία.** Τα φισ που δεν έχουν υποστεί τροποποιήσεις και οι κατάλληλες πρίζες μειώνουν τον κίνδυνο ηλεκτροπληξίας.

- Αποφύγετε την επαφή του σώματός σας με γειωμένες επιφάνειες όπως σωλήνες, θερμαντικά σώματα (καλοριφέρ), κουζίνες και ψυγεία.** Όταν το σώμα σας είναι γειωμένο, αυξάνεται ο κίνδυνος ηλεκτροπληξίας.
- Μην εκθέτετε τα ηλεκτρικά εργαλεία στη βροχή ή την υγρασία.** Η εισχώρηση νερού στο ηλεκτρικό εργαλείο αυξάνει τον κίνδυνο ηλεκτροπληξίας.
- Μην κακομεταχειρίζεστε το καλώδιο. Μη χρησιμοποιείτε ποτέ το καλώδιο για να μεταφέρετε το εργαλείο, να το τραβήξετε ή να το αποσυνδέσετε από την πρίζα. Κρατάτε το καλώδιο μακριά από θερμότητα, λάδια, αιχμηρά άκρα ή κινούμενα μέρη.** Τυχόν χαλασμένα ή μπερδεμένα καλώδια αυξάνουν τον κίνδυνο ηλεκτροπληξίας.
- Όταν χρησιμοποιείτε το ηλεκτρικό εργαλείο σε εξωτερικούς χώρους, να χρησιμοποιείτε πάντοτε καλώδια προέκτασης κατάλληλα για χρήση σε εξωτερικούς χώρους.** Η χρήση προεκτάσεων κατάλληλων για εργασία σε εξωτερικούς χώρους μειώνει τον κίνδυνο ηλεκτροπληξίας.
- Εάν η χρήση ενός ηλεκτρικού εργαλείου σε μία υγρή τοποθεσία είναι αναπόφευκτη, χρησιμοποιήστε μια Διάταξη Προστασίας Ρεύματος Διαρροής (RCD).** Η χρήση μιας διάταξης RCD μειώνει τον κίνδυνο ηλεκτροπληξίας.

3. Ασφάλεια προσώπων

- Όταν χρησιμοποιείτε το ηλεκτρικό εργαλείο, να είστε προσεκτικοί, να δίνετε προσοχή στην εργασία που κάνετε και να επιστρατεύετε την κοινή λογική. Μη χρησιμοποιείτε το ηλεκτρικό εργαλείο όταν είστε κουρασμένοι ή όταν βρίσκεστε υπό την επήρεια ναρκωτικών, οινοπνεύματος ή φαρμάκων.** Μια στιγμή απροσεξία κατά το χειρισμό του ηλεκτρικού εργαλείου μπορεί να οδηγήσει σε σοβαρούς τραυματισμούς.
- Να χρησιμοποιείτε εξοπλισμό προσωπικής προστασίας. Να φοράτε πάντα προστατευτικά γυαλιά.** Ο κίνδυνος τραυματισμών μειώνεται όταν χρησιμοποιείτε εξοπλισμό προστασίας, όπως μάσκα προστασίας από σκόνη, αντλιοθητικά παπούτσια ασφαλείας, κράνη ή ωτασπίδες, ανάλογα με τις συνθήκες εργασίας.
- Αποφύγετε την ακούσια ενεργοποίηση. Βεβαιωθείτε ότι ο διακόπτης λειτουργίας βρίσκεται στη θέση "OFF" πριν συνδέσετε το εργαλείο στην πρίζα ή/και τοποθετήσετε την μπαταρία, πριν το σηκώσετε ή το μεταφέρετε.** Η μεταφορά ηλεκτρικών εργαλείων με το δάχτυλό σας επάνω στο διακόπτη ή η σύνδεση ηλεκτρικών εργαλείων στην πρίζα ενώ ο διακόπτης βρίσκεται στη θέση ενεργοποίησης, ενέχει κινδύνους πρόκλησης ατυχημάτων.

- d. Πριν θέσετε το ηλεκτρικό εργαλείο σε λειτουργία, αφαιρέστε τυχόν εργαλεία ή κλειδιά ρύθμισης. Εάν αφήσετε ένα εργαλείο ή κλειδί πάνω σε κάποιο περιστρεφόμενο εξάρτημα του ηλεκτρικού εργαλείου μπορεί να προκληθούν τραυματισμοί.
- e. Μην τεντώνετε. Φροντίστε πάντοτε να έχετε την κατάλληλη στάση και να διατηρείτε την ισορροπία σας. Αυτό σας επιτρέπει τον καλύτερο έλεγχο του ηλεκτρικού εργαλείου σε περιπτώσεις απροσδόκτων καταστάσεων.
- f. Φοράτε κατάλληλη ενδυμασία εργασίας. Μη φοράτε φαρδιά ρούχα ή κοσμήματα. Κρατάτε τα μαλλιά, τα ενδύματα και τα γάντια σας μακριά από τα κινούμενα εξαρτήματα. Τα φαρδιά ρούχα, τα κοσμήματα και τα μακριά μαλλιά μπορεί να εμπλακούν στα κινούμενα εξαρτήματα.
- g. Αν προβλέπονται διατάξεις απαγωγής και συλλογής της σκόνης, βεβαιωθείτε ότι είναι συνδεδεμένες και ότι χρησιμοποιούνται σωστά. Η χρήση τέτοιων διατάξεων μειώνει τους κινδύνους που προέρχονται από τη σκόνη.

4. Χρήση και συντήρηση του ηλεκτρικού εργαλείου

- a. Μην υπερφορτώνετε το ηλεκτρικό εργαλείο. Χρησιμοποιείτε για την εκάστοτε εργασία σας το ηλεκτρικό εργαλείο που προορίζεται γι' αυτήν. Με το κατάλληλο ηλεκτρικό εργαλείο, εργάζεστε καλύτερα και ασφαλέστερα στην ονομαστική περιοχή ισχύος του.
- b. Μη χρησιμοποιήσετε ποτέ ένα ηλεκτρικό εργαλείο του οποίου ο διακόπτης λειτουργίας είναι χαλασμένος. Ένα ηλεκτρικό εργαλείο του οποίου η λειτουργία δεν μπορεί να ελεγχθεί με το διακόπτη είναι επικίνδυνο και πρέπει να επισκευαστεί.
- c. Βγάλετε το φως από την πρίζα ή/και την μπαταρία από το ηλεκτρικό εργαλείο, πριν διεξαγάγετε κάποια εργασία ρύθμισης, πριν αλλάξετε κάποιο εξάρτημα ή όταν πρόκειται να αποθηκεύσετε τα ηλεκτρικά εργαλεία. Αυτά τα προληπτικά μέτρα ασφαλείας μειώνουν τον κίνδυνο να θεθεί το εργαλείο ακούσια σε λειτουργία.
- d. Να φυλάτε τα ηλεκτρικά εργαλεία που δε χρησιμοποιείτε μακριά από παιδιά. Μην αφήνετε άτομα που δεν είναι εξοικειωμένα με το ηλεκτρικό εργαλείο ή που δεν έχουν διαβάσει αυτές τις οδηγίες χρήσης να το χρησιμοποιήσουν. Τα ηλεκτρικά εργαλεία είναι επικίνδυνα όταν χρησιμοποιούνται από άπειρα άτομα.

- e. Να συντηρείτε τα ηλεκτρικά εργαλεία. Ελέγξτε εάν τα κινούμενα εξαρτήματα είναι σωστά ευθυγραμμισμένα ή αν έχουν μπλοκάρει, εάν έχουν σπάσει κομμάτια και εάν πληρούνται όλες οι υπόλοιπες προϋποθέσεις που ενδεχομένως να επηρεάσουν τη σωστή λειτουργία του εργαλείου. Δώστε τυχόν χαλασμένα εξαρτήματα του ηλεκτρικού εργαλείου για επισκευή πριν το χρησιμοποιήσετε πάλι. Η ανεπαρκής συντήρηση των ηλεκτρικών εργαλείων αποτελεί αιτία πολλών ατυχημάτων.
- f. Διατηρείτε τα κοπτικά εργαλεία κοφτερά και καθαρά. Τα κοπτικά εργαλεία με αιχμηρά κοπτικά άκρα που συντηρούνται σωστά έχουν λιγότερες πιθανότητες να μπλοκάρουν και ελέγχονται ευκολότερα.
- g. Να χρησιμοποιείτε τα ηλεκτρικά εργαλεία, τα εξαρτήματα και τα άκρα των εργαλείων κλπ. σύμφωνα με τις παρούσες οδηγίες, λαμβάνοντας υπόψη σας τις συνθήκες εργασίας και την εργασία που θέλετε να εκτελέσετε. Η χρήση του ηλεκτρικού εργαλείου για εργασίες πέρα από τις προβλεπόμενες μπορεί να οδηγήσει σε επικίνδυνες καταστάσεις.

5. Σέρβις

- a. Το σέρβις του ηλεκτρικού σας εργαλείου πρέπει να αναλαμβάνει έμπειρος τεχνικός που θα χρησιμοποιεί μόνο γνήσια ανταλλακτικά. Έτσι εξασφαλίζεται η διατήρηση της ασφάλειας του ηλεκτρικού εργαλείου.



Προειδοποίηση! Συμπληρωματικές προειδοποιήσεις ασφαλείας για παλμικά εργαλεία

- ◆ Κρατάτε το ηλεκτρικό εργαλείο από τις μονωμένες επιφάνειες συγκράτησης όταν εκτελείτε κάποια εργασία κατά την οποία το εξάρτημα κοπής μπορεί να έρθει σε επαφή με κρυμμένα καλώδια ή με το δικό του καλώδιο. Ένα εξάρτημα κοπής το οποίο έρχεται σε επαφή με ηλεκτροφόρο καλώδιο μπορεί να καταστήσει και τα εκτεθειμένα μεταλλικά μέρη του ηλεκτρικού εργαλείου ηλεκτροφόρα και να προκαλέσει ηλεκτροπληξία στο χειριστή του
- ◆ Χρησιμοποιείτε σφιγκτήρες ή άλλα πρακτικά μέσα για να ασφαλίσετε και να στηρίξετε το προς επεξεργασία αντικείμενο σε μια σταθερή βάση. Η συγκράτηση του αντικειμένου με το χέρι ή επάνω στο σώμα σας το καθιστά ασταθές και μπορεί να οδηγήσει σε απώλεια του ελέγχου.



Προειδοποίηση! Η επαφή ή η εισπνοή της σκόνης που δημιουργούν οι εφαρμογές λείανσης μπορεί να ενέχουν κίνδυνο για την υγεία του χειριστή και των παρευρισκομένων. Φορέστε μάσκα σκόνης ειδικά σχεδιασμένη για προστασία έναντι της σκόνης και των αναθυμιάσεων και βεβαιωθείτε ότι τα άτομα που βρίσκονται ή εισέρχονται στο χώρο εργασίας είναι επίσης προστατευμένα.

- ◆ Μετά τη λείανση, καθαρίστε καλά τη σκόνη.
- ◆ Να προσέχετε ιδιαίτερα κατά τη λείανση χρωμάτων, τα οποία ενδέχεται να έχουν ως βάση το μόλυβδο ή κατά τη λείανση ορισμένων ειδών ξύλου και μετάλλου, τα οποία ενδέχεται να παράγουν τοξική σκόνη:
 - ◆ Μην επιτρέπεται σε παιδιά ή εγκύους να εισέρχονται στο χώρο εργασίας.
 - ◆ Μην τρώτε, πίνετε ή καπνίζετε στο χώρο εργασίας.
 - ◆ Συγκεντρώστε όλη τη σκόνη και τα άλλα υπολείμματα και απορρίψτε τα με τον κατάλληλο τρόπο.
- ◆ Η προβλεπόμενη χρήση περιγράφεται στο παρόν εγχειρίδιο οδηγιών. Η χρήση οποιοδήποτε αξεσουάρ ή προσαρτήματος ή η εκτέλεση με αυτό το εργαλείο οποιασδήποτε άλλης εργασίας πέραν από αυτές που συνιστώνται στο παρόν εγχειρίδιο οδηγιών ενδέχεται να εγκυμονεί κίνδυνο τραυματισμού ή/και υλικών ζημιών.
- ◆ Το εξάρτημα συνεχίζει να κινείται και μετά την απελευθέρωση του διακόπτη. Απενεργοποιείτε πάντα το εργαλείο και περιμένετε να σταματήσει εντελώς το εξάρτημα προτού ακουμπήσετε κάτω το εργαλείο.
- ◆ **Μην πλησιάζετε τα χέρια σας στην περιοχή κοπής.** Ποτέ μην πλησιάζετε τα χέρια σας κάτω από το επεξεργαζόμενο αντικείμενο για οποιονδήποτε λόγο. Μην πλησιάζετε τα δάχτυλα ή τον αντίχειρά σας κοντά στην παλλόμενη λάμα και το σφιγκτήρα της λάμας. Μη σταθεροποιείτε το πριόνι κρατώντας το από το πέδιλο.
- ◆ **Διατηρείτε τις λάμες κοφτερές.** Οι στομαγμένες ή καεστραμμένες λάμες μπορεί να προκαλέσουν παρέκκλιση του πριονιού ή διακοπή της λειτουργίας του υπό πίεση. Χρησιμοποιείτε πάντα τον κατάλληλο τύπο πριονόλαμας ανάλογα το υλικό του προς επεξεργασία αντικείμενου και τον τύπο κοπής.
- ◆ Όταν κόβετε σωλήνες ή αγωγούς βεβαιωθείτε ότι δεν περιέχουν νερό, ηλεκτρικές καλωδιώσεις κλπ.
- ◆ Μην αγγίζετε το προς επεξεργασία αντικείμενο ή τη λάμα αμέσως μετά τη χρήση του εργαλείου. Μπορεί να είναι πολύ ζεστά.
- ◆ Προσέχετε τους κρυφούς κινδύνους και, πριν από την κοπή τοίχων, δαπέδων ή ταβανιών, ελέγχετε για τυχόν διερχόμενα καλώδια ή σωλήνες.

Ασφάλεια τρίτων

- ◆ Αυτό το εργαλείο δεν προορίζεται για χρήση από άτομα (στα οποία περιλαμβάνονται και τα παιδιά) με μειωμένες φυσικές, αντιληπτικές ή διανοητικές ικανότητες ή άτομα χωρίς εμπειρία και γνώσεις, παρά μόνο εφόσον επιτηρούνται ή τους έχουν δοθεί οδηγίες σχετικά με τη χρήση του εργαλείου από άτομο υπεύθυνο για την ασφάλειά τους.
- ◆ Τα παιδιά πρέπει να επιτηρούνται για να διασφαλίζεται ότι δεν παίζουν με τη συσκευή.

Αναπόφευκτοι κίνδυνοι.

Μπορεί να προκληθούν επιπρόσθετοι αναπόφευκτοι κίνδυνοι όταν χρησιμοποιείτε τη συσκευή οι οποίοι μπορεί να μη συμπεριλαμβάνονται στις προειδοποιήσεις ασφαλείας που εσωκλείονται. Αυτοί οι κίνδυνοι μπορεί να προκληθούν από κακή χρήση, παρατεταμένη χρήση κτλ.

Ακόμα και με την τήρηση των σχετικών κανονισμών ασφαλείας και τη χρήση μέσων προστασίας, ορισμένοι κίνδυνοι δεν είναι δυνατό να εξαλειφθούν. Αυτοί περιλαμβάνουν:

- ◆ Τραυματισμούς από το άγγιγμα των περιστρεφόμενων/κινούμενων εξαρτημάτων.
- ◆ Τραυματισμούς από αλλαγή οποιωνδήποτε εξαρτημάτων, λεπίδων ή αξεσουάρ.
- ◆ Τραυματισμούς από παρατεταμένη χρήση του εργαλείου. Όταν χρησιμοποιείτε οποιοδήποτε εργαλείο για παρατεταμένες χρονικές περιόδους βεβαιωθείτε ότι κάνετε τακτικά διαλείμματα.
- ◆ Προβλήματα ακοής.
- ◆ Κίνδυνοι στην υγεία που προκαλούνται από την εισπνοή σκόνης όταν χρησιμοποιείτε το εργαλείο (παραδείγματα:- όταν επεξεργάζεστε ξύλο, ειδικά δρυς, οξιά και MDF.)

Δόνηση

Η δηλωμένη τιμή εκπομπής δόνησης που αναφέρεται στα τεχνικά χαρακτηριστικά και τη δήλωση συμμόρφωσης έχει μετρηθεί σύμφωνα με μια τυποποιημένη μέθοδο δοκιμής που παρέχεται από το πρότυπο EN 60745 και μπορεί να χρησιμοποιηθεί για τη σύγκριση ενός εργαλείου με ένα άλλο. Η δηλωμένη τιμή εκπομπής δόνησης μπορεί επίσης να χρησιμοποιηθεί σε έναν προκαταρκτικό προσδιορισμό της έκθεσης.

Προειδοποίηση! Η τιμή εκπομπής δόνησης κατά την πραγματική χρήση του ηλεκτρικού εργαλείου μπορεί να διαφέρει από τη δηλωμένη τιμή, ανάλογα με το τρόπο που χρησιμοποιείται το εργαλείο. Η στάθμη δόνησης μπορεί να αυξηθεί πάνω από τη στάθμη που έχει δηλωθεί.

Κατά τον προσδιορισμό της έκθεσης σε δόνηση για τον καθορισμό των απαιτούμενων μέτρων ασφαλείας σύμφωνα με την οδηγία 2002/44/ΕΚ για την προστασία προσώπων που χρησιμοποιούν συχνά ηλεκτρικά εργαλεία στην εργασία τους, μια προσεγγιστική εκτίμηση της έκθεσης σε δόνηση πρέπει να λαμβάνει υπόψη τις πραγματικές συνθήκες χρήσης και τον τρόπο χρήσης του εργαλείου, συμπεριλαμβανομένων και όλων των επιμέρους τμημάτων του κύκλου εργασίας, όπως, πότες φορές τέθηκε το εργαλείο εκτός λειτουργίας, τότε είναι σε λειτουργία χωρίς φορτίο και επιπρόσθετα ο χρόνος πίεσης της σκανδάλης.

Ετικέτες στο εργαλείο

Το εργαλείο φέρει τα παρακάτω προειδοποιητικά σύμβολα μαζί με τον κωδικό ημερομηνίας:



Προειδοποίηση! Για να μειωθεί ο κίνδυνος τραυματισμού, ο χρήστης πρέπει να διαβάσει το εγχειρίδιο οδηγιών.



Προειδοποίηση! Όταν χρησιμοποιείτε αυτό το εργαλείο, να φοράτε πάντοτε μάσκα προστασίας από σκόνη.

Ασφαλής χρήση ηλεκτρικού ρεύματος



Αυτό το εργαλείο διαθέτει διπλή μόνωση, επομένως δεν απαιτείται καλώδιο γείωσης. Ελέγχετε πάντοτε αν η τάση προφθοσίας αντιστοιχεί σε αυτήν που αναγράφεται στην πινακίδα στοιχείων.

- ♦ Αν το καλώδιο ρεύματος έχει υποστεί φθορά, πρέπει να αντικατασταθεί από τον κατασκευαστή ή από ένα εξουσιοδοτημένο κέντρο της BLACK+DECKER, ώστε να μην αποτελέσει κίνδυνο.

Χαρακτηριστικά

Αυτή η συσκευή διαθέτει μερικά ή όλα από τα παρακάτω χαρακτηριστικά.

1. Διακόπτης on/off
2. Περιστροφικό χειριστήριο μεταβλητής ταχύτητας
3. Super-lok™ Μοχλός ασφάλισης εξαρτήματος χωρίς εργαλεία
4. Βάση λείανσης
5. Προσαρμογέας εξαγωγής σκόνης
6. Προσαρμογέας εξαρτήματος με εργαλείο (αποστάτης)
7. Προσαρμογέας εξαρτήματος με εργαλείο (Μπουλόνι στερέωσης)

Αξεσουάρ

Αυτή η συσκευή διαθέτει μερικά ή όλα από τα παρακάτω εξαρτήματα.

Η απόδοση του εργαλείου σας εξαρτάται από τα αξεσουάρ που χρησιμοποιούνται. Τα αξεσουάρ της BLACK+DECKER και της Riganha έχουν κατασκευαστεί μηχανικά με πρότυπα υψηλής ποιότητας και είναι σχεδιασμένα για να ενισχύουν την απόδοση του εργαλείου σας. Χρησιμοποιώντας αυτά τα αξεσουάρ θα λάβετε τη μέγιστη απόδοση από το εργαλείο σας.

	<p>Πριονόλαμα κοπής με βύθισμα ακριβείας για ξύλινα εργαλεία, μαλακά πλαστικά. (Αριθμός ανταλλακτικού - X26105-XJ) Διαχωρισμός, κοπή με βύθισμα και κοντά σε επιφάνειες ξύλου και μαλακών πλαστικών. Ιδανικό για εργασίες σε πόρτες, σοβατεπί, περβάζια παραθύρων, και δάπεδα.</p>
	<p>Πριονόλαμα κοπής με βύθισμα ακριβείας για ξύλο και μέταλλο. (Αριθμός ανταλλακτικού - X26110-XJ) Διαχωρισμός, κοπή με βύθισμα και κοντά σε επιφάνειες ξύλου και πλαστικού, μη σιδηρούχων σωληνών με λεπτά τοιχώματα και προεξοχών, καρφιών και βιδιών.</p>
	<p>Πριονόλαμα κοπής με βύθισμα ακριβείας για ξύλο και μέταλλο. (Αριθμός ανταλλακτικού - X26115-XJ) Διαχωρισμός, κοπή με βύθισμα και κοντά σε επιφάνειες ξύλου και πλαστικού, μη σιδηρούχων σωληνών με λεπτά τοιχώματα και προεξοχών.</p>
	<p>Πριονόλαμα κυκλικού τομέα. (Αριθμός ανταλλακτικού - X26120-XJ) Λάμα μακρής διάρκειας η οποία είναι ιδανική για την κοπή ξύλου, πλαστικού, σιδηρούχων και μη σιδηρούχων υλικών με λεπτά τοιχώματα.</p>

	<p>Ακαμπτη ζύστρα. (Αριθμός ανταλλακτικού - X26135-XJ) Ιδανική για την αφαίρεση σκληρών και μαλακών υλικών από επίπεδες επιφάνειες όπως την αφαίρεση δαπέδων βινυλίου, συγκολλητικού μοκέτας, συγκολλητικού πλακιδίων δαπέδου, κονιάματος, βαφής και βερνικιού.</p>
	<p>Εύκαμπτη ζύστρα. (Αριθμός ανταλλακτικού - X26140-XJ) Ιδανική για την αφαίρεση ελαστομερούς υλικού από σκληρές επίπεδες επιφάνειες σε δύσκολα στην πρόσβαση σημεία όπως είναι τα στεγανοποιητικά σιλικόνης και άλλα υλικά καλαφατισματος.</p>
	<p>Λεπίδα καρβιδίου αφαίρεσης κονιάματος. (Αριθμός ανταλλακτικού - X26125-XJ) Επιφάνεια με επίστρωση καρβιδίου ιδανική για τον καθαρισμό κονιάματος και συγκολλητικού πλακιδίων από επίπεδες επιφάνειες και για την ταχεία αφαίρεση όγκων ξύλου, μορισσανίδας και fibreglass.</p>
	<p>Ράπα καρβιδίου. (Αριθμός ανταλλακτικού - X26130-XJ) Επιφάνεια με επίστρωση καρβιδίου ιδανική για την αφαίρεση όγκων πλαστικού, μορισσανίδας και fibreglass.</p>
	<p>Φύλλα λείανσης. Διαφόρων βαθμών για τη λείανση ξύλου, βαμμένων και βερνικωμένων επιφανειών.</p>

Συναρμολόγηση

Τοποθέτηση και αφαίρεση των εξαρτημάτων (εικ. A - F)

Προειδοποίηση! Πριν τοποθετήσετε ένα εξάρτημα, αποσυνδέστε το εργαλείο από την πρίζα.

Τοποθέτηση ενός εξαρτήματος BLACK+DECKER / Piranha (εικ. A - C)

- ◆ Κρατήστε το εργαλείο και πιέστε το μοχλό ασφάλισης εξαρτήματος (3).
- ◆ Περάστε το εξάρτημα(8)μεταξύ του άξονα της υποδοχής εξαρτήματος εξασφαλίζοντας ότι το εξάρτημα εμπλέκεται και στους οκτώ πείρους στην υποδοχή και είναι στο ίδιο επίπεδο με τον άξονα.
- ◆ Ελευθερώστε το μοχλό ασφάλισης εξαρτήματος.

Σημείωση: Ορισμένα εξάρτηματα, όπως ζύστρες και λάμες μπορούν να τοποθετηθούν υπό γωνία εάν απαιτείται (εικ. C).

Αφαίρεση ενός εξαρτήματος BLACK+DECKER / Piranha (εικ. A)

- ◆ Κρατήστε το εργαλείο και πιέστε το μοχλό ασφάλισης εξαρτήματος (3).
- ◆ Τραβήξτε το εξάρτημα από το εργαλείο εξασφαλίζοντας ότι το εξάρτημα απεμπλέκεται και από τους οκτώ πείρους στην υποδοχή.
- ◆ Ελευθερώστε το μοχλό ασφάλισης εξαρτήματος.

Προειδοποίηση: Κατά την αφαίρεση εξαρτημάτων πρέπει να φοράτε γάντια καθώς μπορεί να έχουν θερμανθεί κατά τη χρήση.

Τοποθέτηση ενός φύλλου λείανσης (εικ. D)

- ◆ Ευθυγραμμίστε το φύλλο λείανσης(9)με τη βάση λείανσης(4)όπως υποδεικνύεται.
- ◆ Πιέστε το φύλλο σταθερά και ομοιόμορφα πάνω στη βάση λείανσης, φροντίζοντας ώστε οι οπές του φύλλου να συμπίπτουν με τις αντίστοιχες της βάσης.

Αφαίρεση ενός φύλλου λείανσης

◆ Τραβήξτε το φύλλο λείανσης από τη βάση λείανσης (4).
Προειδοποίηση! Μην χρησιμοποιήσετε ποτέ τη βάση λείανσης χωρίς να έχει τοποθετηθεί φύλλο λείανσης ή αζεσουάρ.

Τοποθέτηση του προσαρμογέα εξαγωγής σκόνης (εικ. E)

- ◆ Ευθυγραμμίστε τον προσαρμογέα εξαγωγής σκόνης(5)με τη βάση λείανσης(4)όπως φαίνεται.
- ◆ Πιέστε τον προσαρμογέα σταθερά και ομοιόμορφα στη βάση λείανσης.
- ◆ Ασφαλίστε τον προσαρμογέα περιστρέφοντας το ασφαλιστικό παξιμάδι (12) δεξιόστροφα.
- ◆ Συνδέστε μια ηλεκτρική σκούπα στον προσαρμογέα εξαγωγής σκόνης.

Αφαίρεση του προσαρμογέα εξαγωγής σκόνης

- ◆ Περιστρέψτε το ασφαλιστικό παξιμάδι (12) αριστερόστροφα.
- ◆ Τραβήξτε τον προσαρμογέα εξαγωγής σκόνης(5) από τη βάση λείανσης (4).

Τοποθέτηση εναλλακτικών εξαρτημάτων (εικ. F)

- ◆ Τοποθετήστε τον αποστάτη(6) επάνω στο κολάρο(10).
- ◆ Τοποθετήστε το εναλλακτικό εξάρτημα(11) επάνω στο κολάρο(10).
- ◆ Στερεώστε σταθερά το μπουλόνι στερέωσης(7) στη θέση του για να εξασφαλίσετε μια σφικτή συναρμογή για το εναλλακτικό εξάρτημα(11).

Σημείωση: Ο αποστάτης και το μπουλόνι στερέωσης δεν χρησιμοποιούνται για την τοποθέτηση εξαρτημάτων της BLACK+DECKER. Τα εξαρτήματα της Black and decker τοποθετούνται χρησιμοποιώντας το μοχλό ασφάλισης εξαρτήματος χωρίς εργαλεία Super-lok™.

Χρήση

Προειδοποίηση! Αφήστε το εργαλείο να λειτουργήσει με το δικό του ρυθμό. Μην το υπερφορτώνετε.

Προειδοποίηση! Πριν την κοπή σε τοίχο, δάπεδο ή ταβάνι, ελέγχετε για τυχόν διερχόμενα καλώδια και σωλήνες.

Έλεγχος μεταβλητής ταχύτητας (εικ. G)

Το χειριστήριο μεταβλητής ταχύτητας σας επιτρέπει να προσαρμόζετε την ταχύτητα του εργαλείου στην εφαρμογή.

- ◆ Θέστε το περιστροφικό χειριστήριο μεταβλητής ταχύτητας(2) στην επιθυμητή θέση. Στη θέση 1 το εργαλείο θα λειτουργεί σε χαμηλή ταχύτητα, 10.000 min⁻¹. Στη θέση 6 το εργαλείο θα λειτουργεί στη μέγιστη ταχύτητα, 22.000 min⁻¹.

Ενεργοποίηση και απενεργοποίηση (εικ. H)

- ◆ Για να θέσετε το εργαλείο σε λειτουργία, σύρετε το διακόπτη on/off(1) προς τα εμπρός (θέση 1).
- ◆ Για να θέσετε το εργαλείο εκτός λειτουργίας, σύρετε το διακόπτη on/off (1) προς τα πίσω (θέση 0).

Συμβουλές για άριστη χρήση

- ◆ Πάντα να κρατάτε το εργαλείο σωστά. Για εργασία ακριβείας, κρατάτε το εργαλείο κοντά στο εμπρός μέρος.
- ◆ Όταν είναι δυνατό στερεώνετε το προς επεξεργασία αντικείμενο με σφιγκτήρα, ειδικά όταν χρησιμοποιείτε λεπίδες κοπής.
- ◆ Μην ασκείτε μεγάλη πίεση στο εργαλείο.
- ◆ Χρησιμοποιείτε πάντα τον κατάλληλο τύπο εξαρτήματος ανάλογα το υλικό του προς επεξεργασία αντικείμενου και τον τύπο κοπής.
- ◆ Να ελέγχετε τακτικά την κατάσταση των εξαρτημάτων. Να το αντικαθιστάτε όταν το κρίνετε απαραίτητο.

- ◆ Σημειώστε το επιθυμητό σημείο έναρξης.
- ◆ Ενεργοποιήστε το εργαλείο και εισάγετε αργά τα εξαρτήματα στο προς επεξεργασία αντικείμενο στο επιθυμητό σημείο έναρξης.
- ◆ Σφίξτε ένα κομμάτι κόντρα πλακέ ή μαλακό ξύλο στο πίσω μέρος του προς επεξεργασία αντικείμενου και κόψτε τα και τα δύο προκειμένου να επιτύχετε μια καθαρή κοπή.
- ◆ Μην πιέζετε με δύναμη τη λάμα κοπής στο προς επεξεργασία αντικείμενο. Σημειώστε ότι η κοπή μεταλλικών ελασμάτων συνήθως θα απαιτήσει περισσότερο χρόνο από το πριόνισμα σε ξύλινα αντικείμενα.
- ◆ Κατά την κοπή μετάλλου απλώστε ένα λεπτό στρώμα λαδιού κατά μήκος της γραμμής κοπής πριν εκτελέσετε την κοπή.
- ◆ Όταν λειαινείτε νέες στρώσεις βαφής πριν περάσετε μια νέα στρώση, χρησιμοποιήστε πολύ ψιλό γυαλόχαρτο.
- ◆ Σε πολύ ανώμαλες επιφάνειες ή όταν αφαιρείτε στρώσεις βαφής, ξεκινήστε με χοντρό γυαλόχαρτο. Σε άλλες επιφάνειες ξεκινήστε με γυαλόχαρτο μέσου μεγέθους κόκκου. Και στις δύο περιπτώσεις, αλλάξτε σταδιακά σε ψιλότερο γυαλόχαρτο για να είναι λεία η επιφάνεια μετά την επεξεργασία.
- ◆ Συμβουλευτείτε τον έμπορό σας για περισσότερες πληροφορίες σχετικά με τα διαθέσιμα αξεσουάρ.

Συντήρηση

Αυτή η συσκευή/εργαλείο με καλώδιο/χωρίς καλώδιο της BLACK+DECKER έχει σχεδιαστεί έτσι ώστε να λειτουργεί για μεγάλο χρονικό διάστημα με την ελάχιστη δυνατή συντήρηση. Η αδιάλειπτη και ικανοποιητική λειτουργία εξαρτάται από τη σωστή φροντίδα της συσκευής και τον τακτικό καθαρισμό της.

Προειδοποίηση! Πριν πραγματοποιήσετε οποιαδήποτε συντήρηση σε ηλεκτρικά εργαλεία με καλώδιο/χωρίς καλώδιο:

- ◆ Απενεργοποιήστε και αποσυνδέστε τη συσκευή/εργαλείο από την πρίζα.
- ◆ Η απενεργοποίηση και αφαίρεση την μπαταρία από τη συσκευή/εργαλείο εάν η συσκευή/εργαλείο διαθέτει ξεχωριστή μπαταρία.
- ◆ Η χρησιμοποιήστε την μπαταρία μέχρι να αδειάσει εντελώς και στη συνέχεια απενεργοποιήστε.
- ◆ Να καθαρίζετε τακτικά τις εγχοπές εξαιρισμού της συσκευής/εργαλείου/φορηστή με μια μαλακή βούρτσα ή με ένα στεγνό πανί.
- ◆ Να καθαρίζετε τακτικά το περίβλημα του μοτέρ με ένα υγρό πανί. Μην χρησιμοποιείτε λειαντικά ή υγρά καθαρισμού που περιέχουν διαλυτικά.

Αντικατάσταση του ρευματολήπτη (H.B. & Ιρλανδία μόνο)

Αν χρειαστεί να εγκαταστήσετε έναν καινούριο ρευματολήπτη (φίς):

- ◆ Απορρίψτε με ασφαλή τρόπο το παλιό φίς.
- ◆ Συνδέστε τον καφέ αγωγό στον ηλεκτροφόρο ακροδέκτη του νέου ρευματολήπτη.
- ◆ Συνδέστε τον μπλε αγωγό στον ουδέτερο ακροδέκτη.

Προειδοποίηση! Δε χρειάζεται καμία σύνδεση στον ακροδέκτη γείωσης. Ακολουθήστε τις οδηγίες τοποθέτησης που παρέχονται με τους καλής ποιότητας ρευματολήπτες (φίς). Προτεινόμενη ασφάλεια τήξης: 5 A.

Προστασία του περιβάλλοντος



Επιλεκτική περισυλλογή. Αυτό το προϊόν δεν πρέπει να απορρίπτεται μαζί με τα κοινά οικιακά απορρίμματα.

Εάν κάποια μέρα διαπιστώσετε ότι το προϊόν σας BLACK+DECKER χρειάζεται αντικατάσταση ή ότι δεν το χρειάζεστε άλλο, μην το απορρίψετε μαζί με τα κοινά οικιακά απορρίμματα αλλά διαθέστε αυτό το προϊόν για ξεχωριστή περισυλλογή.



Η ξεχωριστή περισυλλογή των μεταχειρισμένων προϊόντων και των υλικών συσκευασίας επιτρέπει την ανακύκλωση και επαναχρησιμοποίηση των υλικών.

Με την επαναχρησιμοποίηση των ανακυκλωμένων υλικών αποτρέπεται η μόλυνση του περιβάλλοντος και μειώνεται η ζήτηση πρώτων υλών.

Οι κανονισμοί που ισχύουν στην περιοχή σας ενδέχεται να προβλέπουν την ξεχωριστή περισυλλογή των ηλεκτρικών συσκευών που προέρχονται από νοικοκυριά σε δημοτικές εγκαταστάσεις ή από τον έμπορο όταν αγοράσετε ένα καινούργιο προϊόν.

Η BLACK+DECKER δίνει τη δυνατότητα ανακύκλωσης των προϊόντων της που έχουν συμπληρώσει τη διάρκεια ζωής τους. Για να χρησιμοποιήσετε αυτήν την υπηρεσία, επιστρέψτε το προϊόν σας σε οποιοδήποτε εξουσιοδοτημένο κέντρο επισκευών, όπου θα το παραλάβουν εκ μέρους μας.

Ενημερωθείτε για το πλησιέστερο εξουσιοδοτημένο κέντρο επισκευών της περιοχής σας, επικοινωνώντας με τα γραφεία της BLACK+DECKER στη διεύθυνση που αναγράφεται στο εγχειρίδιο. Επίσης, μια λίστα με τα εξουσιοδοτημένα κέντρα επισκευών της BLACK+DECKER και πλήρεις λεπτομέρειες για τις υπηρεσίες που παρέχονται μετά την πώληση καθώς και στοιχεία επικοινωνίας υπάρχουν στο Διαδίκτυο, στη διεύθυνση: www.2helpU.com

Τεχνικά χαρακτηριστικά

		MT300 (Τύπος 1)	MT280 (Τύπος 1)
Τάση	V _{AC}	230	230
Ταχύτητα χωρίς φορτίο	min ⁻¹	10,000-22,000	10,000-22,000
Γωνία ταλάντωσης	Μοίρες	1,4 ή 2,8	1,4 ή 2,8
Ισχύς	W	300	280
Βάρος	kg	1.53	1.53

Στάθμη ηχητικής πίεσης, μετρημένης σύμφωνα με το πρότυπο EN 60745:

Ηχητική πίεση (L_{PA}) 90 dB(A), αβεβαιότητα (K) 3 dB(A)

Ηχητική Ισχύς (L_{WA}) 101 dB(A), αβεβαιότητα (K) 3 dB(A)

Οι συνολικές τιμές δόνησης (διανυσματικό άθροισμα τριών αξόνων) κατά EN 60745:

Κοπή ξύλου (a_{h,CW}) 4.5 m/s², αβεβαιότητα (K) 1,5 m/s²

Κοπή μετάλλου (a_{h,CM}) 10.3 m/s², αβεβαιότητα (K) 1,5 m/s²

Λείανση (a_h) 11.4 m/s², αβεβαιότητα (K) 1,5 m/s²

Δήλωση συμμόρφωσης ΕΚ

ΟΔΗΓΙΑ ΠΕΡΙ ΜΗΧΑΝΗΜΑΤΩΝ



MT300, MT280 ταλαντούμενο εργαλείο

Η Black & Decker δηλώνει ότι τα προϊόντα αυτά που περιγράφονται στα "τεχνικά χαρακτηριστικά" συμμορφώνονται με:

2006/42/EC, EN 60745-1:2009 +A11:2010,
EN 60745-2-4:2009 +A11:2011

Αυτά τα προϊόντα συμμορφώνονται επίσης με την οδηγία 2004/108/ΕΚ (μέχρι 19/04/2016) 2014/30/ΕΕ (από 20/04/2016) και 2011/65/ΕΕ. Για περισσότερες πληροφορίες, επικοινωνήστε με την Black & Decker στην παρακάτω διεύθυνση ή να ανατρέξετε στο πίσω μέρος του εγχειριδίου.

Ο κάτωθι υπογεγραμμένος είναι υπεύθυνος για την κατάρτιση του τεχνικού φακέλου και δηλώνει τα παρόντα εκ μέρους της Black & Decker.

R.Laverick
Director of Engineering
Black & Decker Europe, 210 Bath Road, Slough,
Berkshire, SL1 3YD
Ηνωμένο Βασίλειο
20/10/2015

Εγγύηση

Η Black & Decker είναι σίγουρη για την ποιότητα των προϊόντων της και παρέχει μια εξαιρετική εγγύηση. Η παρούσα γραπτή εγγύηση αποτελεί πρόσθετο δικαίωμά σας και δεν ζημιώνει τα νόμιμα δικαιώματά σας. Η εγγύηση ισχύει εντός της επικράτειας των Κρατών Μελών της Ευρωπαϊκής Ένωσης και της Ευρωπαϊκής Ζώνης Ελευθέρων Συναλλαγών.

Σε περίπτωση που κάποιο προϊόν της Black & Decker παρουσιάσει βλάβη εξαιτίας ελαττωματικών υλικών, ποιότητας εργασίας ή έλλειψης συμφωνίας με τις προδιαγραφές εντός 24 μηνών από την ημερομηνία αγοράς, η Black & Decker εγγυάται την αντικατάσταση των ελαττωματικών τμημάτων, την επισκευή προϊόντων που έχουν υποστεί εύλογη φθορά λόγω χρήσης ή την αντικατάσταση των προϊόντων προκειμένου να εξασφαλιστεί την ελάχιστη ενόχληση στους πελάτες της, εκτός εάν:

- ◆ Το προϊόν έχει χρησιμοποιηθεί σε εργασιακό, επαγγελματικό περιβάλλον ή έχει ανοικιαστεί.
- ◆ Έχει γίνει εσφαλμένη χρήση του προϊόντος ή έχει παραμεληθεί.
- ◆ Το προϊόν έχει υποστεί βλάβη από άλλα αντικείμενα, από ουσίες ή λόγω ατυχήματος.
- ◆ Έχει γίνει προσπάθεια επισκευής από μη εξουσιοδοτημένα κέντρα επισκευών ή από προσωπικό που δεν ανήκει στο προσωπικό της Black & Decker.

Για να ισχύσει η εγγύηση, πρέπει να υποβάλετε απόδειξη αγοράς στον πωλητή ή το εξουσιοδοτημένο κέντρο επισκευών. Ενημερωθείτε για το πλησιέστερο εξουσιοδοτημένο κέντρο επισκευών της περιοχής σας, επικοινωνώντας με τα γραφεία της Black & Decker στη διεύθυνση που αναγράφεται στο εγχειρίδιο. Επίσης, μια λίστα με τα εξουσιοδοτημένα κέντρα επισκευών της Black & Decker και πλήρεις λεπτομέρειες για τις υπηρεσίες που παρέχονται μετά την πώληση καθώς και στοιχεία επικοινωνίας υπάρχουν στο Διαδίκτυο, στη διεύθυνση: www.2helpU.com

Παρακαλούμε επισκεφθείτε την ιστοσελίδα μας www.blackanddecker.gr για να καταχωρήσετε το νέο σας προϊόν BLACK+DECKER και για να ενημερώσετε για τα νέα προϊόντα και τις ειδικές προσφορές. Περισσότερες πληροφορίες σχετικά με τη μάρκα BLACK+DECKER και τη σειρά των προϊόντων μας θα βρείτε στη διεύθυνση www.blackanddecker.gr

België/Belgique/Luxembourg www.blackanddecker.be enduser.be@sbdinc.com	Stanley Black & Decker Belgium BVBA Egide Walschaertsstraat 16 2800 Mechelen	Tel. NL +32 15 47 37 65 Tel. FR +32 15 47 37 66 Fax. +32 15 47 37 99
Danmark	Black & Decker Roskildevej 22 2620 Albertslund	kundeservice.dk@sbdinc.com www.blackanddecker.dk
Deutschland www.blackanddecker.de infobfge@sdbinc.com	Stanley Black & Decker Deutschland GmbH Black & Decker Str. 40, D - 65510 Idstein	Tel. 06126 21-0 Fax 06126 21-2980
Ελλάδα www.blackanddecker.gr greece.service@sbdinc.com	Stanley Black & Decker (ΕΛΛΑΣ) Ε.Π.Ε ΓΡΑΦΕΙΑ: Σπύριδωνος 7 & Βουλιαγμένης 166 74 Γλυφάδα - Αθήνα	Τηλ. 210-8981616 Φαξ 210-8983570
SERVICE:	Ημερος Τόπος 2 -Χάνι Αδάμ 193 00 Ασπρόπυργος - Αθήνα	Τηλ. Service 210-8985208 Φαξ 210-5597598
España www.blackanddecker.es respuesta.posventa@sbdinc.com	Stanley Black & Decker Ibérica, S.C.A. Parc de Negocis "Mas Blau" Edificio Muntadas, c/Bergadà, 1, Of. A6 08820 El Prat de Llobregat (Barcelona)	Tel. 934 797 400 Fax 934 797 419
France www.blackanddecker.fr	Black & Decker (France) S.A.S. 5 allée des Hêtres B.P. 30084 69579 Limonest Cédex	Tel. 04 72 20 39 20 Fax 04 72 20 39 00
Helvetia www.blackanddecker.ch service@rofoag.ch	ROFO AG Gewerbezone Seeblick 3213 Kleinbösingen	Tel. 026-6749393 Fax 026-6749394
Italia www.blackanddecker.it service.italia@sbdinc.com	Stanley Black & Decker Italia Via Energypark 6 20871 Vimercate (MB)	Tel. 039-9590200 Fax 039-9590313 Numero verde 800-213935
Nederland www.blackanddecker.nl enduser.nl@sbdinc.com	Stanley Black & Decker Netherlands BV Holtum Noordweg 35, 6121 RE BORN Postbus 83, 6120 AB BORN	Tel. +31 164 283 065 Fax +31 164 283 200
Norge	Black & Decker Postboks 4613, Nydalen 0405 Oslo	kundeservice.no@sbdinc.com www.blackanddecker.no
Österreich www.blackanddecker.at service.austria@sbdinc.com	Stanley Black & Decker Austria GmbH Oberlaaerstraße 248, A-1230 Wien	Tel. 01 66116-0 Fax 01 66116-614
Portugal www.blackanddecker.pt resposta.posvenda@sbdinc.com	Black & Decker Limited SARL Quinta da Fonte - Edifício Q55 D. Diniz Rua dos Malhães, 2 e 2A - Piso 2 Esquerdo 2770 - 071 Paço de Arcos	Tel. 214667500 Fax 214667580
Suomi	Black & Decker PL47 00521, Helsinki	asiakaspalvelu.fi@sbdinc.com www.blackanddecker.fi
Sverige	Black & Decker AB Box 94, 431 22 Mölndal	kundservice.se@sbdinc.com www.blackanddecker.se
Türkiye www.blackanddecker.com.tr	KALE Hirdavat ve Makina A.Ş. Defferdar Mah. Savaklar Cad. No:15 Edimekapı / Eyüp / İstanbul 34050	Tel. 0212 533 52 55 Fax. 0212 533 10 05
United Kingdom & Republic Of Ireland www.blackanddecker.co.uk emeaservice@sbdinc.com	Black & Decker 210 Bath Road Slough, Berkshire SL1 3YD	Tel. 01753 511234 Fax 01753 512365
Middle East & Africa www.blackanddecker.ae service.mea@sbdinc.com	Black & Decker P.O.Box - 17164 Jebel Ali Free Zone (South), Dubai, UAE	Tel. +971 4 8863030 Fax +971 4 8863333