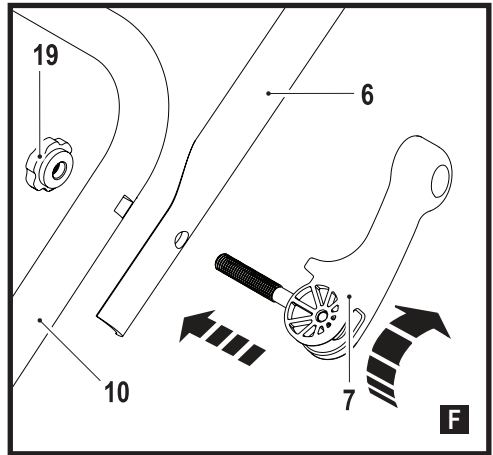
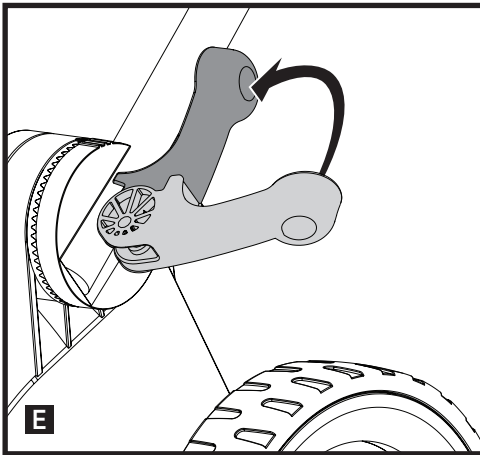
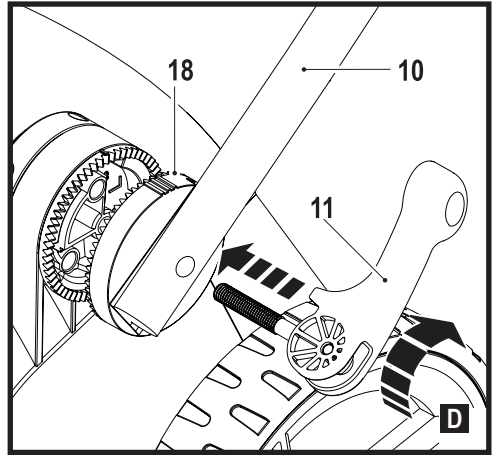
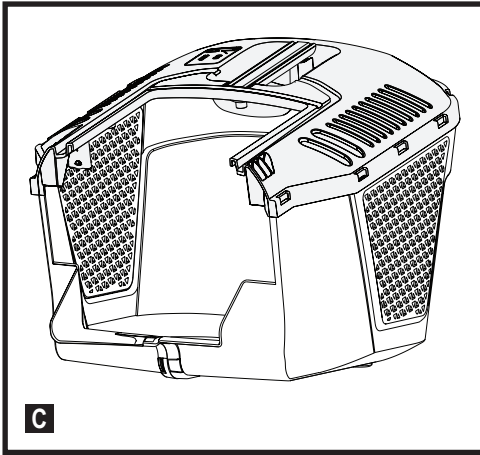
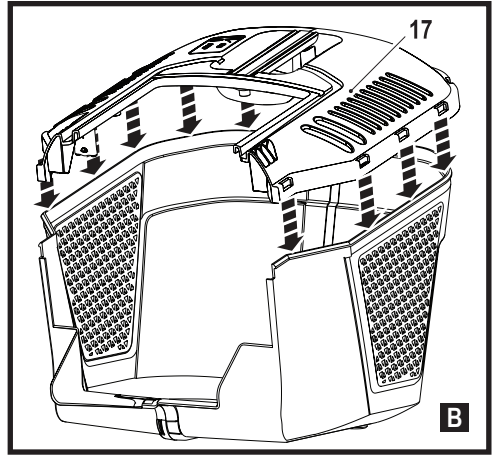
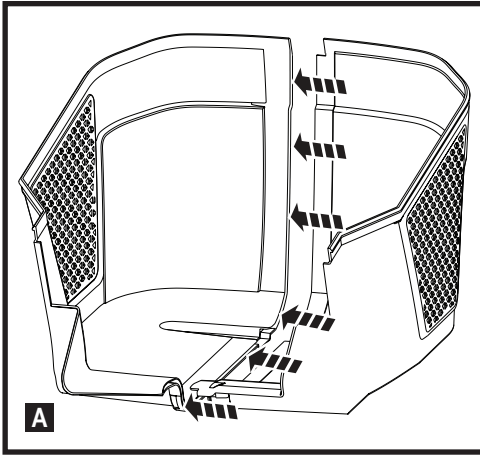
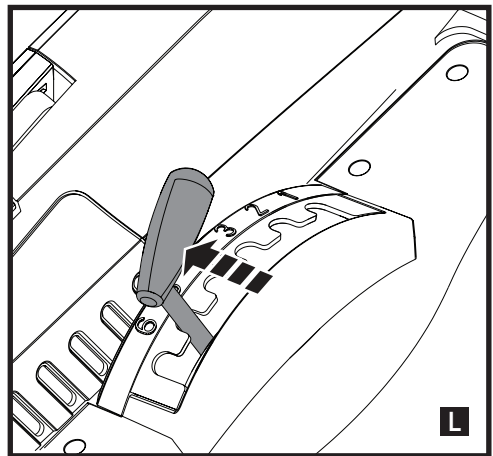
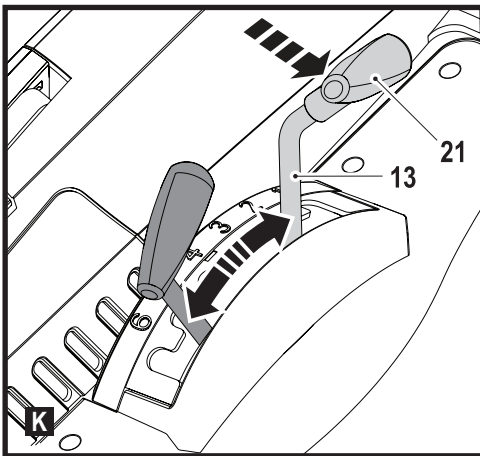
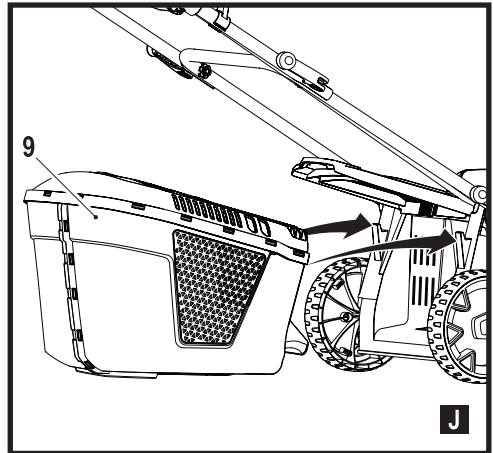
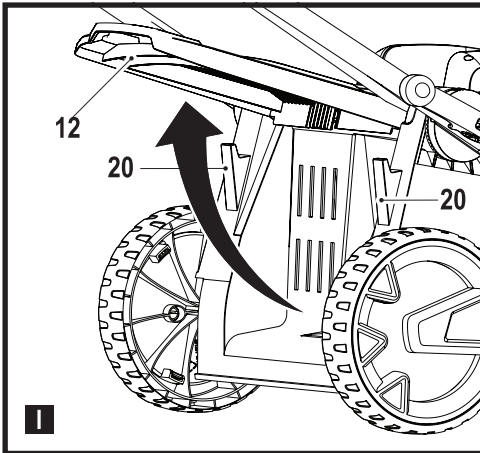
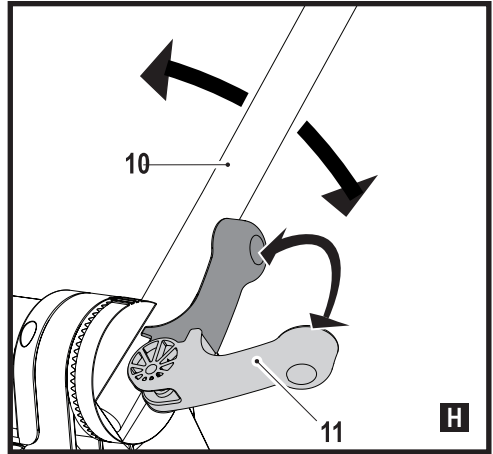
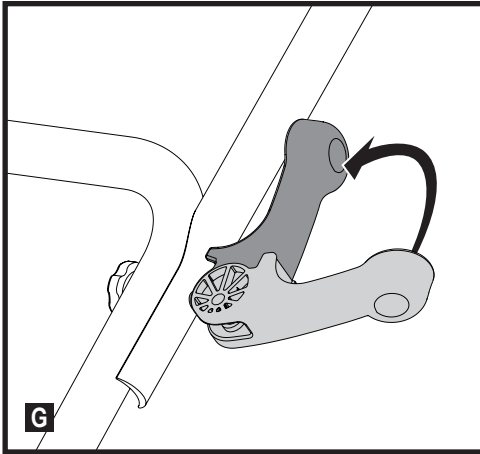
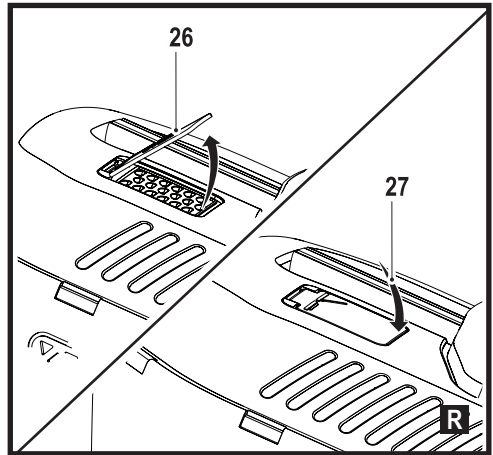
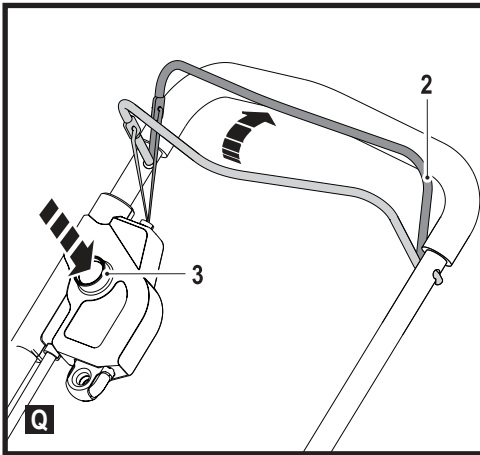
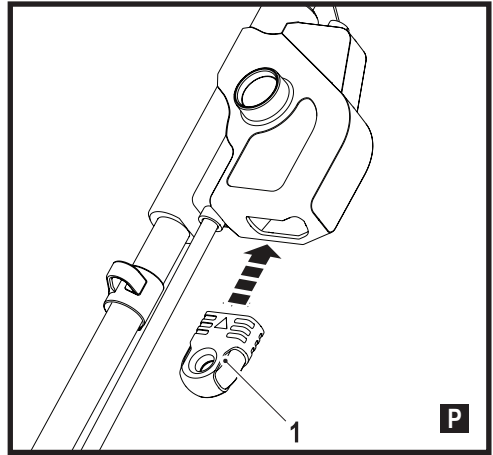
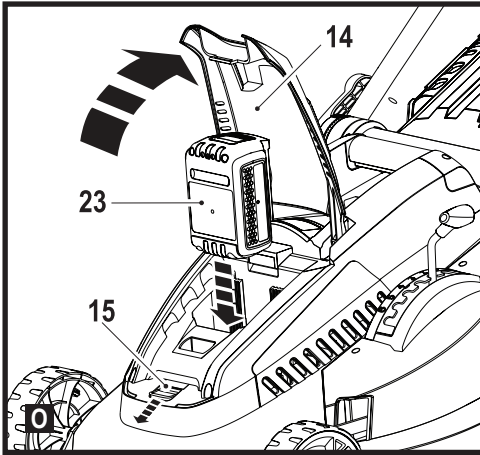
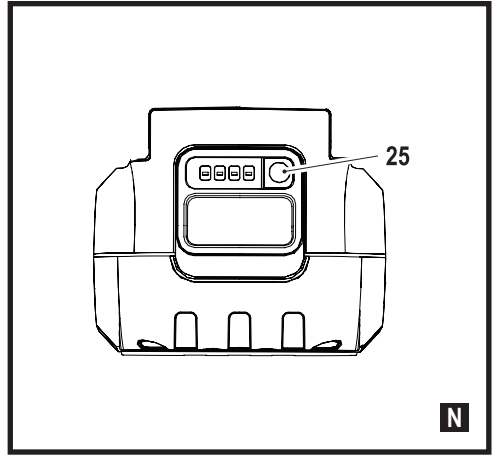
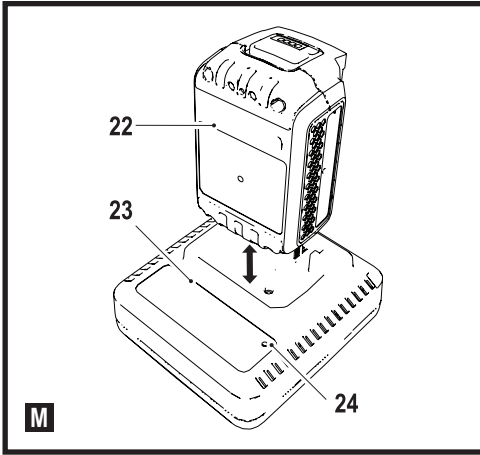
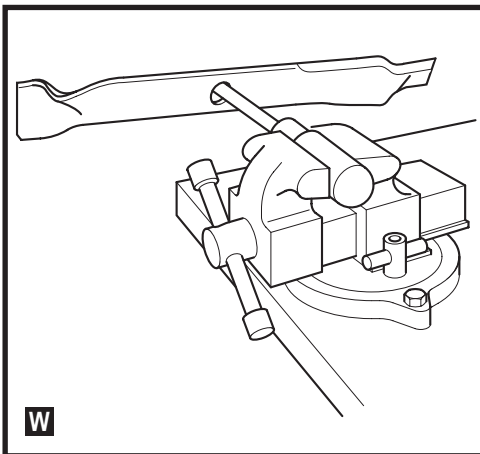
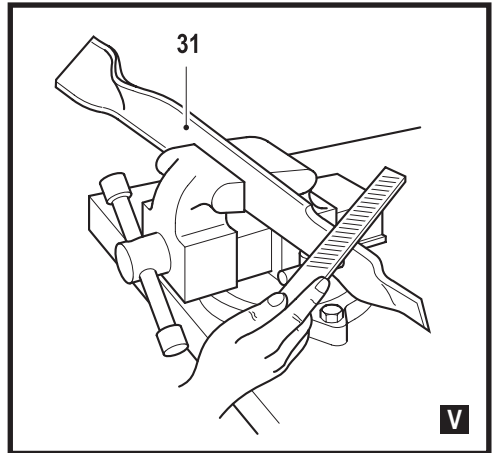
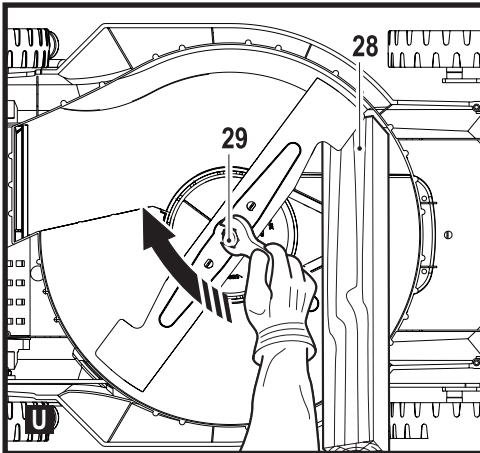
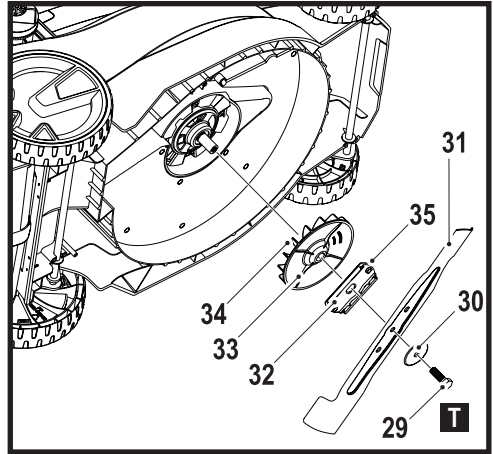
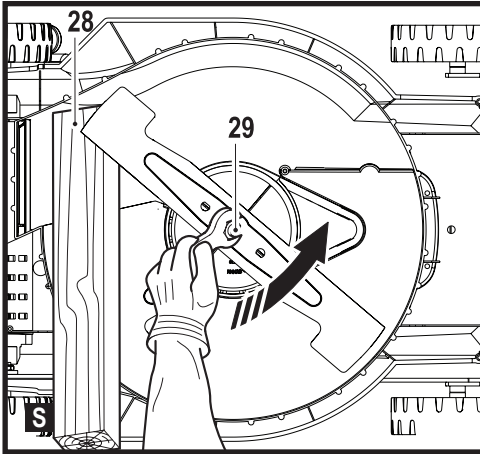


English (<i>original instructions</i>)	6
Deutsch (<i>übersetzt von den originalanweisungen</i>)	19
Français (<i>traduction de la notice d'instructions originale</i>)	33
Italiano (<i>tradotto dalle istruzioni originali</i>)	46
Nederlands (<i>vertaald vanuit de originele instructies</i>)	59
Español (<i>traducido de las instrucciones originales</i>)	72
Português (<i>traduzido das instruções originais</i>)	85
Svenska (<i>översatt från de ursprungliga instruktionerna</i>)	98
Norsk (<i>oversatt fra de originale instruksjonene</i>)	110
Dansk (<i>oversat fra original brugsvejledning</i>)	122
Suomi (<i>käännetty alkuperäisestä käyttöohjeesta</i>)	134
Ελληνικά (<i>μετάφραση από τις πρωτότυπες οδηγίες</i>)	145









Intended use

Your BLACK+DECKER CLM3820 lawn mower has been designed for mowing grass. This appliance is intended for consumer use only.

Safety instructions

Warning! When using cordless appliances, basic safety precautions, including the following, should always be followed to reduce the risk of fire, electric shock, personal injury and material damage.

Warning! When using the machine the safety rules must be followed.

For your own safety and bystanders please read these instructions before operating the machine.

Please keep the instructions safe for later use.

- ◆ This appliance is not intended for use by persons (including children) with reduced physical, sensory or mental capabilities, or lack of experience and knowledge, unless they have been given supervision or instruction concerning use of the appliance by a person responsible for their safety.
- ◆ Children must be supervised to ensure that they do not play with the appliance.
- ◆ If the supply cord is damaged, it must be replaced by the manufacturer or an authorised BLACK+DECKER Service Centre in order to avoid a hazard.
- ◆ Read all of this manual carefully before operating the appliance.
- ◆ The intended use is described in this manual. The use of any accessory or attachment or the performance of any operation with this appliance other than those recommended in this instruction manual may present a risk of personal injury.
- ◆ Retain this manual for future reference.

Using your appliance

Always take care when using the appliance.

- ◆ This appliance is not intended for use by young or infirm persons without supervision.
- ◆ The appliance is not to be used as a toy.
- ◆ Do not allow children or animals to come near the work area or touch the

appliance or power supply cord.

- ◆ Close supervision is necessary when the appliance is used near children.
- ◆ Use in a dry location only. Do not allow the appliance to become wet.
- ◆ Do not immerse the appliance in water.
- ◆ Do not open body casing.
There are no user serviceable parts inside.
- ◆ Do not operate the appliance in explosive atmospheres, such as in the presence of flammable liquids, gases or dust.
- ◆ To reduce the risk of damage to plugs and cords never pull the cable to remove the plug from a socket.

After use

- ◆ When not in use, the appliance should be stored in a dry, well ventilated place out of the reach of children.
- ◆ Children should not have access to stored appliances.
- ◆ When the appliance is stored or transported in a vehicle it should be placed in the boot or restrained to prevent movement following sudden changes in speed or direction.

Inspection and repairs

- ◆ Before use, check the appliance for damaged or defective parts. Check for breakage of parts, damage to switches and any other conditions that may affect its operation.
- ◆ Do not use the appliance if any part is damaged or defective.
- ◆ Have any damaged or defective parts

- repaired or replaced by an authorised repair agent.
- ◆ Never attempt to remove or replace any parts other than those specified in this manual.
 - ◆ Be careful during adjustment of the mower to prevent entrapment of the fingers between moving blades/parts and fixed parts of the machine.
 - ◆ When servicing the blades be aware that, even though the power source is switched off, the blades can still be moved.

Additional safety instructions for lawn mowers

- ◆ Firmly grip handle with both hands when operating the lawn mower.
- ◆ If at any time it is felt necessary to tilt the lawn mower, make sure that both hands remain in the operating position while the lawn mower is tilted. Keep both hands in the operating position until the lawn mower is returned to rest correctly on the ground.
- ◆ Never wear radio or music headphones while operating the lawn mower.
- ◆ Never attempt to make a wheel height adjustment while the motor is running or while the safety key is in the switch housing.
- ◆ If the lawn mower stalls, release bail bar to turn mower off, wait for blade to stop and remove the safety key, before attempting to unclog the chute or remove anything from under the deck.
- ◆ Keep hands and feet away from cutting area.
- ◆ Keep blades sharp. Always use protective gloves when handling the lawn mower blade.
- ◆ If you are using the grass collector, check it frequently for wear and deterioration. If excessively worn, replace with a new grass collector for your safety.
- ◆ Use extreme caution when reversing or pulling the lawn mower towards you.
- ◆ Do not put hands or feet near or under the lawn mower. Keep clear of the discharger opening at all times.
- ◆ Clear the area where the lawn mower is to be used of objects such as rocks, sticks, wire, toys, bones etc., which could be thrown by the blade. Objects struck by the blade can cause severe injury to persons. Stay behind the handle when the motor is running.
- ◆ Do not operate the lawn mower barefooted or while wearing sandals. Always wear substantial footwear.
- ◆ Do not pull lawn mower backward unless absolutely necessary. Always look down and behind before and while moving backward.
- ◆ Never direct discharged material toward anyone. Avoid discharging material against a wall or obstruction. Material may ricochet back toward the operator. Release the bail bar to turn the lawn mower off and stop the blade when crossing gravel surfaces.
- ◆ Do not operate the lawn mower without the entire grass collector, discharge guard, rear guard, or other

safety protective devices in place and working. Periodically check all guards and safety protective devices to ensure they are in good working order and will operate properly and perform their intended function. Replace a damaged guard or other safety device before further use.

- ◆ Never leave a running lawn mower unattended. Always remove the safety key if the lawn mower is going to be left unattended.
- ◆ Always release the bail bar to stop the motor and wait until the blade comes to a complete stop and remove the safety key before cleaning the lawn mower, removing the grass bag, unclogging the discharge guard, when leaving the lawn mower, or before making any adjustments, repairs or inspections.
- ◆ Operate lawn mower only in daylight or good artificial light when objects in the path of the blade are clearly visible from the operating area of the lawn mower.
- ◆ Do not operate the lawn mower while under the influence of alcohol or drugs, or when you are tired or ill. Always stay alert, watch what you are doing, and use common sense.
- ◆ Avoid dangerous environments. Never operate the lawn mower in damp or wet grass, never use lawn mower in the rain. Always be sure of your footing, walk, never run.
- ◆ If the lawn mower should start to vibrate abnormally, release the bail bar, wait for the blade to stop and

remove the safety key, then check for the cause immediately. Vibration is generally a warning of trouble, see the troubleshooting guide for advise in the case of abnormal vibration.

- ◆ Always wear proper eye and respiratory protection when operating the lawn mower.
- ◆ The use of any accessory or attachment not recommended for use with this lawn mower could be hazardous. Only use accessories approved by BLACK+DECKER.
- ◆ Never overreach while operating the lawn mower. Always be sure to keep proper footing and balance at all times while operating the lawn mower.
- ◆ Mow across the face of slopes, never up and down. Exercise extreme caution when changing direction on slopes.
- ◆ Watch for holes, ruts, bumps, rocks or other hidden objects. Uneven terrain could cause a slip and fall accident. Tall grass can hide obstacles.
- ◆ Do not mow on wet grass or excessively steep slopes. Poor footing could cause a slip and fall accident.
- ◆ Do not mow near drop-offs, ditches, or embankments. You could lose your footing or balance.
- ◆ Always allow the mower to cool down before storing.

Residual risks.

Additional residual risks may arise when using the tool which may not be included in the enclosed safety warnings. These risks can arise from misuse, prolonged use etc.

Even with the application of the relevant safety regulations and the implementation of safety devices, certain residual risks can not be avoided. These include:

- ◆ Injuries caused by touching any rotating/moving parts.
- ◆ Injuries caused when changing any parts, blades or accessories.
- ◆ Injuries caused by prolonged use of a tool. When using any tool for prolonged periods ensure you take regular breaks.
- ◆ Impairment of hearing.
- ◆ Health hazards caused by breathing dust developed when using your tool (example:- working with wood, especially oak, beech and MDF.)

Warning symbols

The following warning symbols are found on the appliance along with the date code:



Warning! Read the manual prior to operation.



Do not expose the appliance to rain or high humidity.



Beware of sharp blades. Always remove the safety key before cleaning the lawn mower, removing the grass bag, unclogging the discharge guard, when leaving the lawn mower, or before making any adjustments, repairs or inspections.



Beware of flying objects. Keep bystanders away from the cutting area.



Wear eye protection



The blades will continue to rotate after the machine is switched off.



Directive 2000/14/EC guaranteed sound power.

Additional safety instructions for batteries and chargers

Batteries

- ◆ Never attempt to open for any reason.
- ◆ Do not expose the battery to water.
- ◆ Do not expose the battery to heat.
- ◆ Do not store in locations where the temperature may exceed 40 °C.
- ◆ Charge only at ambient temperatures between 10 °C and 40 °C.
- ◆ Charge only using the charger provided with the appliance/tool. Using the wrong charger could result in an electric shock or overheating of the battery.
- ◆ When disposing of batteries, follow the instructions given in the section "Protecting the environment".
- ◆ Do not damage/deform the battery pack either by puncture or impact, as this may create a risk of injury and fire.
- ◆ Do not charge damaged batteries.

- ◆ Under extreme conditions, battery leakage may occur. When you notice liquid on the batteries carefully wipe the liquid off using a cloth. Avoid skin contact.
- ◆ In case of skin or eye contact, follow the instructions below.

Warning! The battery fluid may cause personal injury or damage to property. In case of skin contact, immediately rinse with water. If redness, pain or irritation occurs seek medical attention. In case of eye contact, rinse immediately with clean water and seek medical attention.



Do not attempt to charge damaged batteries.

Chargers

Your charger has been designed for a specific voltage.

Always check that the mains voltage corresponds to the voltage on the rating plate.

Warning! Never attempt to replace the charger unit with a regular mains plug.

- ◆ Use your BLACK+DECKER charger only to charge the battery in the appliance/tool with which it was supplied. Other batteries could burst, causing personal injury and damage.
- ◆ Never attempt to charge non-rechargeable batteries.
- ◆ If the supply cord is damaged, it must be replaced by the manufacturer or an authorised BLACK+DECKER Service Centre in order to avoid a hazard.
- ◆ Do not expose the charger to water.
- ◆ Do not open the charger.

- ◆ Do not probe the charger.
- ◆ The appliance/tool/battery must be placed in a well ventilated area when charging.



The charger is intended for indoor use only.



Read the instruction manual before use.

Electrical safety



Your charger is double insulated; therefore no earth wire is required. Always check that the mains voltage corresponds to the voltage on the rating plate. Never attempt to replace the charger unit with a regular mains plug.

Features

This appliance includes some or all of the following features.

1. Safety key
2. Bail bar
3. Lock off release
4. Handle bar
5. Cable restraint clips
6. Upper handle
7. Upper handle quick release clamp
8. Grass box full indicator
9. Grass collection box
10. Lower Handle
11. Lower handle quick release clamp
12. Spring loaded rear door
13. Height adjust handle
14. Battery cover
15. Battery cover release
16. Handle

Assembly

Warning! Before assembly, make sure that the tool is switched off and the safety key and battery have been removed.

Assembling the grass collection box

(Fig. A - C)

The grass box requires assembly before use and comes in 3 pieces.

- ◆ Clip the 2 sides of the grass collection box (9) together (fig.A). Make sure that all clips and guides are aligned.
- ◆ Align the lid (17) onto the assembled grass collection box. Ensure that the guides and clips are aligned.

Note: Take extra care when aligning the clips at the rear of the grass collection box.

- ◆ Push down on the lid to secure all clips. Begin at the front and work towards the back. Ensure that all clips are securely located.

Fitting the lower handle (Fig. D & E)

- ◆ Remove the lower handle quick release clamps (11) from the base of the mower.
- ◆ Place the lower handle (10) around the base, making sure the three notches (18) on the lower handle (10) face toward the top.
- ◆ Screw the lower handle quick release clamps (11) through the lower handle into the mower base. With the lower handle quick release clamps screwed in half way, close the quick release clamps (fig.E) and ensure the teeth of the handle and base interlock. If the connection between the handle and quick release clamps is too tight or loose, adjust the depth of the quick release clamps and close them again until the teeth are fully closed.

Fitting the upper handle (Fig. F & G)

- ◆ Fit the upper handle (6) to the lower handle (10) using the upper handle quick release clamps (7) and clamp nuts (19) as shown.
- ◆ Screw the upper handle quick release clamps (7) through the lower handle into the clamp nuts (20). With the upper handle quick release clamps screwed in half way, close the quick release clamps (Fig. G).
If the connection between the handle and quick release clamps is too tight or loose, adjust the depth of the quick release clamps and close them again until the teeth are fully closed.

Adjusting the height of the handle (Fig. H)

- ◆ Release the lower handle quick release clamp as shown.
- ◆ Lift or lower the handle into one of the 3 marked positions next to the lower handle quick release clamps.
- ◆ Close the lower handle quick release clamps (11) and ensure the teeth of the handle and base interlock.
If the connection between the handle and quick release clamps is too tight or loose, adjust the depth of the quick release clamps and close them again until the teeth are fully closed.

Securing the motor cable

The motor cable has to be fixed using the cable restraint.

- ◆ Secure the cable to the upper and lower handle by clipping it into the cable restraint clips (5).

Fitting the grass collection box (Fig. I & J)

- ◆ Lift the clear grass flap (12) and place the grass collection box (9) over the lugs (20).

Wheel height adjustment (Fig. K & L)

Your mower features the BLACK+DECKER Easy - height adjustment system. This system will adjust all four wheels at the same time.

The mower has six blade height adjustment positions (30 mm to 80 mm). Refer to the scale on the side of the mower. The pointer will indicate the height setting for cutting your lawn. This setting can be a reference for the next time you want to cut your lawn to the same height.

- ◆ Release the bail bar (2) to turn the lawnmower off, wait until the blade stops and remove the safety key (1).
- ◆ To raise or lower the cutting height, place the palm of your hand on the palm rest (21) and pull the height adjustment lever (13) away from the mower body.
- ◆ Move the height adjust lever (13) into the required position then push it back in towards the mower body.

Note: Make sure that the mower is securely locked in one of the six positions.

Removing and fitting the battery (Fig. O)

Before removing the battery:

- ◆ Place the mower on level ground.
- ◆ Release the bail bar (2) to turn the mower off, wait for the blade to stop and remove the safety key (1).

To remove the battery:

- ◆ Pull the battery cover release (15) towards the front of the mower body and lift the battery cover (14).
- ◆ Lift the battery (22) out of the mower.

To fit the battery

- ◆ Pull the battery cover release (15) towards the front of the mower body and lift the battery cover (14).
- ◆ Slide the battery (22) into the mower. (the battery will only fit one way.)

Use

Warning! Let the appliance work at its own pace. Do not overload.

Charging the battery (Fig. M)

The battery needs to be charged before first use and

whenever it fails to produce sufficient power on jobs that were easily done before. The battery may become warm while charging; this is normal and does not indicate a problem.

Warning! Do not charge the battery at ambient temperatures below 10 °C or above 40 °C. Recommended charging temperature: approx. 24 °C.

Note: The charger will not charge a battery if the cell temperature is below approximately 0 °C or above 40 °C. The battery should be left in the charger and the charger will begin to charge automatically when the cell temperature warms up or cools down.

- ◆ To charge the battery (22), insert it into the charger (23). The battery will only fit into the charger in one way. Do not force. Be sure that the battery is fully seated in the charger.
- ◆ Plug in the charger and switch on at the mains.

The charging indicator (24) will flash green continuously (slowly).

The charge is complete when the charging indicator (24) lights green continuously. The charger and the battery can be left connected indefinitely with the LED illuminated. The LED will change to flashing green (charging) state as the charger occasionally tops off the battery charge. The charging indicator (24) will be lit as long as the battery is connected to the

plugged-in charger.

- ◆ Charge discharged batteries within 1 week. Battery life will be greatly diminished if stored in a discharged state.

Leaving the battery in the charger

The charger and battery pack can be left connected with the LED glowing indefinitely. The charger will keep the battery pack fresh and fully charged.

Charger diagnostics

If the charger detects a weak or damaged battery, the charging indicator (24) will flash red at a fast rate.

Proceed as follows:

- ◆ Re-insert the battery (22).
- ◆ If the charging indicators continues flashing red at a fast rate, use a different battery to determine if the charging process works properly.
- ◆ If the replaced battery charges correctly, the original battery is defective and should be returned to a service centre for recycling.
- ◆ If the new battery gives the same indication as the original battery, take the charger to be tested at an authorised services centre.

Note: It may take as long as 30 minutes to determine that the battery is defective.

If the battery is too hot or too cold, the LED will alternately blink red, fast and slow, one flash at each speed and repeat.

State of charge indicator (Fig. N)

The battery is fitted with a state of charge indicator. This can be used to display the current level of charge in the battery during use and during charging.

- ◆ Press the state of charge indicator button (25).

Safety key (Fig. P)

Remove the safety key:

- ◆ Whenever leaving the appliance unattended.
- ◆ Before cleaning a blockage.
- ◆ Before checking, cleaning or working on the appliance.
- ◆ After striking a foreign object.
- ◆ Whenever the appliance starts vibrating abnormally.

Switching on and off (Fig. P & Q)

Warning! Sharp moving blade. Never attempt to override the operation of this switch and safety key system as a serious injury could result.

Switching on

- ◆ Insert the safety key (1) fully into the switch housing.
- ◆ Push the lock off release button (3) on the top of the switch housing.
- ◆ Pull the blade bail bar (2) toward the handle bar (4).

Switching off

- ◆ To turn the lawnmower off, release the blade bail bar (2). When the bail bar (2) has returned to the original position it will activate the automatic braking mechanism. The motor is electrically braked and the lawnmower blade will stop rotating in 3 seconds or less.

Grass box full indicator (Fig. R)

The lawn mower has a device which allows you to easily see when the grass box is full and needs emptying.

- ◆ When the lawn mower is running and the grass box is empty the indicator will be in the open position (26).
- ◆ When the lawn mower is running and the grass box is full the indicator will be in the closed position position (27).

Hints for optimum use

- ◆ Lawns should first be mowed in the spring when the grass is about 63 mm to 76 mm high. Mowing too early in the season restricts the root systems of the grass which renew themselves every spring. New grass should be mowed when it is about 63 mm high.
- ◆ Do not remove too much grass blade surface at one time, never more than 1/3 of the leaf height during each cutting. Cutting too close 'shocks' sensitive grass blades, resulting in a shallow root system making it more difficult for your lawn to reach water in the soil.
- ◆ Mow your lawn when it is dry to avoid clumping of wet grass. If you have a choice, late afternoon is the ideal time

for mowing, not only because the grass is dry, but also because the sensitive new cut area of the grass will not be exposed to intense sunlight.

- ◆ Keep the mowing blade sharp for a nice clean cut. This improves the mower's performance and enhances the look of your lawn. A dull blade shatters and bruises the tips of the grass. This impairs the healthy growth of your lawn and increases the susceptibility to turf diseases. If the grass tips are bruised it causes a brownish colour which gives your lawn an unhealthy appearance. A dull blade may also pull up young grass seedlings.
- ◆ Try to mow your lawn at a consistent cutting height. While there are times when you should vary the cutting height with the changing seasons, a consistent cutting height produces a healthier, lovelier lawn with generally fewer weeds. Mow more frequently during periods of fast growth. Frequent cutting ensures that the lower, less attractive portion of the grass will not show.
- ◆ If your lawn has grown too long, during a vacation for example, mow at a cutting height one or two positions higher than normal. A second pass at your usual cutting height a few days later will put your lawn back on schedule.
Changing the cutting height is a simple matter with BLACK+DECKER's One Touch Wheel Height Adjustment, which simultaneously adjusts all four wheels at once.
- ◆ During the spring and autumn, or after an interruption to the cutting schedule, the grass will be longer and thicker. If the motor continually slows down while cutting, try setting the wheels for a higher cutting height. Excessive motor loading can result in uneven cutting, quicker discharge of the battery and can cause the motor to overload which stops the motor.
- ◆ There are three good ways to enhance your lawn's appearance: Vary the mowing direction frequently; mow horizontally on hillsides; (this is also a good safety practice) and do not forget to overlap the mowing path on each pass.

Mowing tips

Note: Always inspect the area where the lawnmower is to be used and remove all stones, sticks, wire, bones and other debris which could be thrown by the rotating blade.

- ◆ Mow across the face of slopes, never up-and-down. Exercise extreme caution when changing direction on slopes. Do not mow excessively steep slopes. Always maintain a good footing.
- ◆ Release the bail bar (2) to turn the lawnmower off when crossing any gravel area as stones can be thrown by the rotating blade.
- ◆ Set the lawnmower at the highest cutting height when mowing in rough ground or in tall weeds. Removing too

much grass at one time may cause the motor to overload which will stop the lawnmower. Refer to the troubleshooting guide. If the grass box (9) is used during the fast growing season, the grass may tend to clog up at the discharge opening.

- ◆ Release the bail bar (2) to turn the lawnmower off and remove the safety key (1).
 - ◆ Remove the grass box (9) and shake the grass to the back of the bag.
 - ◆ Clean out any grass or debris which may be packed around the discharge opening.
 - ◆ Refit the grass box (9).
- If the lawnmower starts to vibrate abnormally:
- ◆ Release the bail bar (2) immediately to turn the lawnmower off and remove the safety key (1) and the battery pack (22).
 - ◆ Investigate the cause of the vibration. Vibration is a warning. Do not operate the lawnmower until a service check has been made. Refer to the troubleshooting guide in the manual.

Note: Always release the bail bar to turn the lawnmower off and remove the safety key when leaving it unattended even for a short period of time.

The following suggestions will help you to obtain optimum run-time from your cordless mower:

- ◆ Slow down in areas where the grass is especially long or thick.
- ◆ Avoid mowing when the grass is wet.
- ◆ Cut your lawn frequently, especially during periods of high growth.

Maintenance

Your BLACK+DECKER corded/cordless appliance/tool has been designed to operate over a long period of time with a minimum of maintenance. Continuous satisfactory operation depends upon proper tool/appliance care and regular cleaning.

Your charger does not require any maintenance apart from regular cleaning.

Warning! Before performing any maintenance on corded/cordless power tools:

- ◆ Switch off and unplug the appliance/tool.
- ◆ Or run the battery down completely if it is integral and then switch off.
- ◆ Unplug the charger before cleaning it. Your charger does not require any maintenance apart from regular cleaning.
- ◆ Regularly clean the ventilation slots in your tool/appliance and charger using a soft brush or dry cloth.
- ◆ Regularly clean the motor housing using a damp cloth. Do not use any abrasive or solvent-based cleaner.
- ◆ Regularly use a blunt scraper to remove grass and dirt from the underneath of the guard.

Removing and installing the blade (Fig. S, T & U)

Warning! Do not touch the blade before the safety key has been removed and the blades have come to a complete stop.

- ◆ Release the bail bar (2) to turn mower off, wait for the blade to stop and remove the safety key (1).
- ◆ Cut a piece of wood (approximately 50 mm x 100 mm x 600 mm long) to use to keep the blade from turning while removing the flange nut (29).
- ◆ Turn the mower on its side.

Warning! Wear gloves and proper eye protection. Be careful of the sharp edges of the blade.

- ◆ Position the wood (28) and remove the flange nut (29) with a 13 mm wrench (Fig. S).
- ◆ Remove the washer (30), blade (31), square blade guide (32) and the fan (33) (fig T). Examine the blade guide (32) and fan (33) for damage and replace if necessary.

When fitting the blade, make sure that the grass side of the blade (Indicated by arrows on either end) will face the ground when the mower is returned to its normal upright position.

- ◆ Install the fan (33). Be sure to position the fan blades (34) so that they face in towards the mower.
- ◆ Install the blade guide (32). Be sure to position the 'D' shaped pegs (35) so that they face out, away from the mower.
- ◆ Be sure to align the flats on the on the fan (33) and the blade guide (32) with the flats of the shaft.
- ◆ Fit the blade (31) onto the blade guide (32) with the arrows facing outwards.
- ◆ Position the piece of wood (28) to keep the blade (31) from turning (Fig. U).
- ◆ Install the washer (30) and flange nut (29) then tighten with a 13mm wrench.

Blade sharpening (Fig. V)

Keep the blade sharp for best performance. A dull blade does not cut grass cleanly or mulch properly.

Warning! Always make sure that the safety key is removed.

Warning! Wear proper eye protection while removing, sharpening and installing a blade.

Sharpening the blade twice during a mowing season is usually sufficient under normal circumstances. Sand causes the blade to dull quickly. If your lawn has sandy soil more frequent sharpening may be required.

- ◆ Replace bent or damaged blades immediately.

When sharpening the blade:

- ◆ Make sure that the blade remains balanced.
- ◆ Sharpen the blade at the original cutting angle.
- ◆ Sharpen the cutting edges on both ends of the blade, removing equal amounts of material from both ends.

To sharpen a blade in a vice (Fig. W)

- ◆ Release the bail bar (2) to turn the lawnmower off and wait for the blade to come to a complete stop.
- ◆ Remove the safety key (1) and the battery pack (22) and turn the lawnmower on to its side.
- ◆ Remove the blade (31) from the mower, see the instructions for removing and installing blades.

Warning! Wear proper eye protection and gloves and be careful of the sharp edges of the blade.

- ◆ Put the blade (31) in a vice.
- ◆ Carefully file the cutting edges of the blade with a fine tooth file or a sharpening stone, maintaining the original cutting edge.
- ◆ Check the balance of the blade, see the instructions for blade balancing.
- ◆ Install the blade (31) on the mower and tighten securely, see the instructions for removing and installing blades.

Blade balancing (Fig. W)

- ◆ Check the balance of the blade by putting the centre hole in the blade on to a nail or a round shank screwdriver that is clamped horizontally in a vice. If either end of the blade rotates downward, file that end of the blade until the blade is balanced.

Lubrication

No lubrication is necessary. Do not oil the wheels. They have plastic bearing surfaces which require no lubrication.

Cleaning

- ◆ Release the bail bar (2) to turn the lawnmower off and wait for the blade to come to a complete stop.
- ◆ Remove the safety key (1).
- ◆ Use only mild soap and a damp cloth to clean the mower.
- ◆ Use a blunt tool to clean out any clippings which may have accumulated on the underside of the mower.
- ◆ After several uses, check all exposed fasteners for tightness.

Preventing corrosion

Fertilisers and other garden chemicals contain agents which greatly accelerate the corrosion of metals. If you mow in areas where fertilisers or chemicals have been used, the mower should be cleaned immediately afterward as follows:

- ◆ Release the bail bar (2) to turn the lawnmower off and wait for the blade to come to a complete stop.
- ◆ Remove the safety key (1).
- ◆ Wipe all exposed parts with a damp cloth.

Transporting and storage

Warning! The rotating blade can cause serious injury.

Release bail bar to turn mower off and remove the safety key before lifting, transporting or storing the mower. Store in a dry place.

Note: The mower will not be as heavy to lift if the battery pack is removed first. Do not use the latch as a lift point for the mower.

Storage

In warm climates, to ensure optimal performance it is recommended that the battery is maintained on constant charge.

The battery may be stored with the charger disconnected if the following conditions are met.

- ◆ The battery is fully charged before storing.
- ◆ The average temperature of the storage location is below 10 °C (50 °F).

Troubleshooting

If your appliance seems not to operate properly, follow the instructions below. If this does not solve the problem, please contact your local BLACK+DECKER repair agent.

Warning! Before proceeding, release the bail bar to turn mower off, wait for the blade to stop and remove the safety key.

Problem	Possible solution
Machine fails to operate.	Check to make sure the safety key has been installed and is fully seated and that the lock off button is being completely depressed before moving the bail handle.
	Release bail handle to turn mower off. Remove safety key and battery pack, turn mower over and check that blade is free to turn.
	Check that the battery cavity is free of debris and that the battery is installed properly.
	Has battery been fully charged? Plug in charger and wait for green light to come on
Motor stops while mowing.	Release bail handle to turn mower off. Remove safety key and battery pack. Turn mower over and check that blade is free to turn.
	Raise cutting height of wheels to highest position and start mower.
	Check that the battery cavity is free of debris and is connected properly.
	Has battery been fully charged? Press state of charge button.
	Avoid overloading the mower. Slow down the cutting pace, or raise the cut height.
Machine leaves ragged finish or motor labours	Has battery been fully charged? Press state of charge button.
	Release bail handle to turn mower off. Remove safety key and battery pack. Turn mower over and check: <ul style="list-style-type: none"> ◆ Blade for sharpness - Keep blade sharp. ◆ Deck and discharge chute for clogging.
	Wheel height adjustment may be set too low for grass condition. Raise cutting height.

Problem	Possible solution
Mower is too hard to push.	Release bail handle to turn mower off. Remove safety key and battery pack. Raise cutting height to reduce deck drag on grass. Check each wheel for free rotation
Mower is abnormally noisy and vibrates.	Release bail handle to turn mower off. Remove safety key and battery pack. Turn mower on side and check blade to ensure it has not been bent or damaged. If blade is damaged, replace with a BLACK+DECKER replacement blade. If the underside of the deck is damaged, return mower to a BLACK+DECKER Authorized service center.
	If there is no visible damage to the blade and the mower still vibrates: <ul style="list-style-type: none"> ◆ Release bail handle to turn mower off. ◆ Remove safety key and battery pack. ◆ Disassemble entire blade assembly as described in the "Removing and installing blade" section. ◆ Remove any debris and clean each piece. ◆ Replace each piece as described in the "Removing and installing blade" section.
	If mower still vibrates, return the mower to an authorized BLACK+DECKER authorized service center.
Mower not picking up clippings with bag.	Chute clogged. Release bail handle to turn mower off. Remove safety key and battery pack. Clear chute of grass clippings.
	Raise cutting height of wheels to shorten length of the cut.
	Bag full. Empty bag more often.

Protecting the environment



Separate collection. Products and batteries marked with this symbol must not be disposed of with normal household waste.

Should you find one day that your Black & Decker product needs replacement, or if it is of no further use to you, do not dispose of it with household waste. Make this product available for separate collection.

Separate collection of used products and packaging allows materials to be recycled and used again.

Re-use of recycled materials helps prevent environmental pollution and reduces the demand for raw materials.

Local regulations may provide for separate collection of electrical products from the household, at municipal waste sites or by the retailer when you purchase a new product. Black & Decker provides a facility for the collection and recycling of Black & Decker products once they have reached the end of their working life. To take advantage of this service please return your product to any authorised repair agent who will collect them on our behalf.

You can check the location of your nearest authorised repair agent by contacting your local Black & Decker office at the address indicated in this manual. Alternatively, a list of authorised Black & Decker repair agents and full details of our after-sales service and contacts are available on the Internet at:

www.2helpU.com

At the end of their useful life, discard batteries with due care for our environment:

- ◆ Run the battery down completely, then remove it from the tool.
- ◆ NiCd, NiMH and Li-Ion batteries are recyclable. Place the battery(s) in a suitable packaging to ensure that the terminals cannot be short-circuited. Take them to any authorised repair agent or a local recycling station.
- ◆ Do not short-circuit the battery terminals.
- ◆ Do not dispose of the battery(s) in a fire as this may result in a risk of personal injury or an Explosion.

Technical data

CLM3820		
Input Voltage	V _{in}	36V
No-Load Speed	min-1	3500
Weight	kg	16.2
Battery		BL2036
Voltage	V _{oc}	36V
Capacity	Ah	2
Type		Li-Ion
Charger		LCS36 typ. 1
Input Voltage	V _{in}	230V
Output Voltage	V _{oc}	36V
Current	A	1300
Approx. charge time	h	1.0-2.0

Hand/arm weighted vibration value:
= < 2,5 m/s² , uncertainty (K) = 1,5 m/s².

L_m (sound pressure) 80 dB(A)
uncertainty (K) = 3 dB(A)

Area of cut:

- ◆ This mower can cut up to 300m² on a single 2Ah battery pack.
- ◆ This area (300m²) is achieved on a single, fully charged, 2Ah battery pack in dry conditions with the height adjustment lever in position 6 following light growth conditions.
- ◆ In damp conditions, lower height settings or heavy growth conditions the area of cut may be less than 300m².

EC declaration of conformity MACHINERY DIRECTIVE OUTDOOR NOISE DIRECTIVE



CLM3820 lawn mower

Black & Decker declares that these products described under "technical data" are in compliance with:

2006/42/EC, EN 60335-1:2012/A13:2017;
EN 60335-2-77:2010; EN 62233:2008

2000/14/EC, Lawn Mower, L < 50cm, Annex VI,

TÜV SÜD Industrie Service GmbH

Westendstraße 199, 80686 München

Country : Germany

Notified Body number : 0036

L_{WA} (measured sound power) 92 dB(A),

Uncertainty (K) = 2.25 dB(A),

L_{WA} (guaranteed sound power) 96 dB(A).

These products also comply with Directive 2014/30/EU and 2011/65/EU. For more information, please contact Black & Decker at the following address or refer to the back of the manual.

The undersigned is responsible for compilation of the technical file and makes this declaration on behalf of Black & Decker.

Patrick Diepenbach

Patrick Diepenbach
General Manager, Benelux
Black and Decker,
Egide Walschaertsstraat 14-18
2800 Mechelen, Belgium
2022.03.16

Declaration of conformity The Supply of Machinery (Safety) Regulations 2008



CLM3820 lawn mower

Black & Decker declares that these products described under "technical data" are in compliance with:

The Supply of Machinery (Safety) Regulations, 2008, S.I.
2008/1597 (as amended), EN 60335-1:2012/A13:2017;
EN 60335-2-77:2010; EN 62233:2008

The Noise Emission in the Environment by Equipment for use
Outdoors Regulations 2001, S.I. 2001/1701 (as amended),
Schedule 9.

AnP Certification Ltd

2 Parkfield Street, Rusholme, Manchester, M14 4PN

Approved Body Number: 8500
 L_{WA} (measured sound power) 90 dB(A),
Uncertainty (K) = 1.05 dB(A),
 L_{WA} (guaranteed sound power) 96 dB(A).

These products also conform to the following UK Regulations:
Electromagnetic Compatibility Regulations, 2016,
S.I.2016/1091 (as amended).

The Restriction of the Use of Certain Hazardous Substances
in Electrical and Electronic Equipment Regulations 2012, S.I.
2012/3032 (as amended).

For more information, please contact Black & Decker at the
following address or refer to the back of the manual.

The undersigned is responsible for compilation of the technical
file and makes this declaration on behalf of Black & Decker.



Paul Featherstone
Product Director – Outdoor Products Group
Black and Decker UK,
270 Bath Road, Slough
Berkshire, SL1 4DX
England
2022.03.16

Guarantee

Black & Decker is confident of the quality of its products and offers consumers a 24 month guarantee from the date of purchase. This guarantee⁷⁵ is in addition to and in no way prejudices your statutory rights. The guarantee is valid within the territories of the Member States of the European Union and the European Free Trade Area.

To claim on the guarantee, the claim must be in accordance with Black&Decker Terms and Conditions and you will need to submit proof of purchase to the seller or an authorised repair agent. Terms and conditions of the Black&Decker 2 year guarantee and the location of your nearest authorised repair agent can be obtained on the Internet at www.2helpU.com, or by contacting your local Black & Decker office at the address indicated in this manual.

Please visit our website www.blackanddecker.co.uk to register your new Black & Decker product and receive updates on new products and special offers.

Verwendungszweck

Ihr BLACK+DECKER CLM3820-Rasenmäher wurde zum Rasenmähen entwickelt. Dieses Gerät ist nicht für den gewerblichen Einsatz vorgesehen.

Sicherheitshinweise

Warnung! Beachten Sie beim Umgang mit kabellosen Geräten stets die grundlegenden Sicherheitshinweise, die im Folgenden beschrieben werden. Dadurch verhindern Sie Brände, Stromschläge sowie Sach- und Personenschäden.

Warnung! Beachten Sie beim Verwenden des Geräts unbedingt die Sicherheitsregeln.

Lesen Sie zu Ihrer eigenen Sicherheit und zum Schutz in der Nähe befindlicher Personen vor Gebrauch des Geräts die folgende Bedienungsanleitung. Heben Sie diese Anleitung zur späteren Verwendung gut auf.

- ◆ Dieses Gerät darf nicht von Personen (einschließlich Kindern) mit eingeschränkten physischen, sensorischen oder mentalen Fähigkeiten oder ohne ausreichende Erfahrung oder Kenntnisse verwendet werden, außer wenn diese Personen von einer Person, die für ihre Sicherheit verantwortlich ist, bei der Verwendung des Geräts beaufsichtigt oder mit ihm vertraut gemacht werden.
- ◆ Kinder müssen beaufsichtigt werden, um sicherzustellen, dass sie nicht mit dem Gerät spielen.
- ◆ Bei einer Beschädigung des Netzkabels muss dieses durch den Hersteller oder eine BLACK+DECKER

Vertragswerkstatt ausgetauscht werden, um mögliche Gefahren zu vermeiden.

- ◆ Lesen Sie diese Anleitung vollständig und aufmerksam durch, bevor Sie das Gerät verwenden.
- ◆ Der vorgesehene Verwendungszweck ist in dieser Anleitung beschrieben. Bei Verwendung von Zubehör oder Anbauteilen, die nicht in dieser Anleitung empfohlen werden, sowie bei der Verwendung des Geräts in Abweichung von den in dieser Anleitung beschriebenen Verfahren besteht Verletzungsgefahr.
- ◆ Bewahren Sie diese Anleitung auf.

Verwendung des Geräts

Verwenden Sie das Gerät stets mit Umsicht.

- ◆ Das Gerät ist nicht für die unbeaufsichtigte Verwendung durch Kinder oder gebrechliche Personen vorgesehen.
- ◆ Das Gerät ist kein Spielzeug.
- ◆ Achten Sie darauf, dass sich im Arbeitsbereich keine Kinder oder Tiere aufhalten. Verhindern Sie, dass Kinder das Gerät oder das Netzkabel berühren.
- ◆ Seien Sie besonders vorsichtig, wenn Sie das Gerät in der Nähe von Kindern verwenden.
- ◆ Verwenden Sie das Gerät nur in trockener Umgebung. Achten Sie darauf, dass das Gerät nicht nass wird.
- ◆ Tauchen Sie das Gerät nicht

in Wasser.

- ◆ Versuchen Sie nicht, das Gehäuse zu öffnen. Es gibt keine vom Benutzer zu wartenden Teile im Inneren des Geräts.
- ◆ Betreiben Sie das Gerät nicht in explosionsgefährdeter Umgebung, in der sich brennbare Flüssigkeiten, Gase oder Staub befinden.
- ◆ Ziehen Sie niemals am Kabel, wenn Sie den Stecker aus der Steckdose ziehen möchten. Kabel und Stecker könnten sonst beschädigt werden.

Nach dem Gebrauch

- ◆ Bewahren Sie das Gerät bei Nichtgebrauch an einem trockenen, gut belüfteten Ort außerhalb der Reichweite von Kindern auf.
- ◆ Kinder sollten keinen Zugang zu aufbewahrten Geräten haben.
- ◆ Wenn das Gerät in einem Fahrzeug transportiert oder gelagert wird, bewahren Sie es im Kofferraum oder einer geeigneten Ablage auf, damit es bei plötzlichen Geschwindigkeits- oder Richtungsänderungen nicht in Bewegung geraten kann.

Inspektion und Reparaturen

- ◆ Prüfen Sie das Gerät vor der Verwendung auf beschädigte oder defekte Teile. Prüfen Sie, ob Teile gebrochen sind, Schalter beschädigt sind oder andere Bedingungen vorliegen, welche die Funktion beeinträchtigen könnten.

- ◆ Betreiben Sie das Gerät nicht, wenn Teile beschädigt oder defekt sind.
- ◆ Lassen Sie beschädigte oder defekte Teile in einer Vertragswerkstatt reparieren oder austauschen.
- ◆ Ersetzen oder entfernen Sie keine Teile, für die in dieser Anleitung keine entsprechende Beschreibung enthalten ist.
- ◆ Gehen Sie bei Einstellungen am Rasenmäher vorsichtig vor, um zu verhindern, dass Ihre Finger zwischen den beweglichen Messern/Teilen und feststehenden Teilen des Geräts eingeklemmt werden.
- ◆ Beachten Sie bei Wartungsarbeiten an den Messern, dass sich diese auch ohne Stromversorgung bewegen.

Zusätzliche Sicherheitshinweise für Rasenmäher

- ◆ Halten Sie den Rasenmäher während des Betriebs sicher mit beiden Händen fest.
- ◆ Halten Sie beide Hände in der Betriebsposition, wenn der Rasenmäher gekippt werden muss. Halten Sie beide Hände in der Betriebsposition bis der Rasenmäher wieder ordnungsgemäß auf dem Boden abgestellt wurde.
- ◆ Tragen Sie beim Rasenmähen keine Kopfhörer zum Musikhören.
- ◆ Passen Sie niemals die Höhe der Räder an, während der Motor läuft oder sich der Sicherheitsschlüssel im Schloss befindet.
- ◆ Lassen Sie den Bügelschalter

los und entfernen Sie den Sicherheitsschlüssel, um den Rasenmäher auszuschalten, wenn dieser blockiert. Warten Sie, bis das Messer zum Stillstand gekommen ist, bevor Sie versuchen, die Verstopfung zu beseitigen oder Gegenstände von der Unterseite zu entfernen.

- ◆ Halten Sie Hände und Füße vom Schnittbereich fern.
- ◆ Halten Sie die Sägeblätter scharf. Tragen Sie beim Umgang mit dem Messer des Rasenmähers stets Schutzhandschuhe.
- ◆ Wenn der Grasfangbehälter verwendet wird, muss dieser regelmäßig auf Abnutzungen und Beschädigungen überprüft werden. Wechseln Sie aus Sicherheitsgründen den Grasfangbehälter bei starker Abnutzung aus.
- ◆ Seien Sie besonders vorsichtig, wenn Sie den Rasenmäher wenden oder in Ihre Richtung ziehen.
- ◆ Bringen Sie Hände oder Füße nicht in die Nähe des Bereichs unterhalb des Rasenmähers oder direkt darunter. Halten Sie jederzeit einen Sicherheitsabstand zur Auswurföffnung.
- ◆ Entfernen Sie Steine, Äste, Drähte, Spielzeuge, Knochen usw., die in das Messer geraten könnten, aus dem Bereich, in dem der Rasenmäher verwendet wird. Objekte, die in das Messer geraten, können ernsthafte Verletzungen

verursachen. Bleiben Sie hinter dem Griff, wenn der Motor läuft.

- ◆ Betreiben Sie den Rasenmäher weder barfuß noch mit Sandalen. Tragen Sie jederzeit festes Schuhwerk.
- ◆ Ziehen Sie den Rasenmäher nur rückwärts, wenn dies unbedingt erforderlich ist. Achten Sie stets auf den Boden und den Bereich hinter Ihnen, bevor und während Sie sich rückwärts bewegen.
- ◆ Achten Sie darauf, dass das Material nicht in Richtung von Personen ausgeworfen wird. Achten Sie darauf, dass das Material nicht in Richtung von Wänden oder anderen Gegenständen ausgeworfen wird. Das Material kann gegen den Bediener zurückgeschleudert werden. Lassen Sie den Bügelgriff los und warten Sie, bis das Messer zum Stillstand gekommen ist, bevor Sie Kiesoberflächen überqueren.
- ◆ Betreiben Sie den Rasenmäher nicht ohne angebrachten und intakten Grasfangbehälter, Auswurfschutz, hinteren Schutz und andere Schutzvorrichtungen. Überprüfen Sie regelmäßig alle Schutz- und Sicherheitsvorrichtungen auf deren ordnungsgemäße Funktion. Ersetzen Sie beschädigte Schutz- und Sicherheitsvorrichtungen vor der weiteren Verwendung.
- ◆ Lassen Sie den eingeschalteten Rasenmäher niemals unbeaufsichtigt. Entfernen Sie stets den Sicherheitsschlüssel, wenn Sie den

- Rasenmäher unbeaufsichtigt lassen.
- ◆ Lassen Sie stets den Bügelschalter los, warten Sie, bis das Messer zum Stillstand gekommen ist, und entfernen Sie den Sicherheitsschlüssel, wenn Sie den Rasenmäher reinigen, den Grasfangbeutel entfernen, Verstopfungen aus der Auswurföffnung beseitigen, den Rasenmäher unbeaufsichtigt lassen bzw. Anpassungen vornehmen oder Reparaturen und Inspektionen ausführen.
 - ◆ Betreiben Sie den Rasenmäher nur bei Tageslicht oder bei ausreichender Beleuchtung, so dass Gegenstände auf dem Schnittweg vom Betriebsbereich des Rasenmähers aus deutlich sichtbar sind.
 - ◆ Betätigen Sie den Rasenmäher nicht, wenn Sie unter Alkohol- oder Drogeneinfluss stehen oder wenn Sie müde oder krank sind. Bleiben Sie immer aufmerksam, achten Sie darauf, was sie tun, und setzen Sie den gesunden Menschenverstand ein.
 - ◆ Meiden Sie gefährliche Umgebungen. Betreiben Sie den Rasenmäher nicht in feuchtem oder nassem Gras. Verwenden Sie den Rasenmäher keinesfalls im Regen. Achten Sie auf Trittsicherheit. Betreiben Sie das Gerät nur im Gehen, nie rennend.
 - ◆ Lassen Sie den Bügelschalter los, warten Sie, bis das Messer zum Stillstand gekommen ist, und entfernen Sie den Sicherheitsschlüssel, wenn Sie ungewöhnliche Vibrationen des Rasenmähers bemerken, und prüfen Sie die Ursache. Im Allgemeinen deutet Vibration auf ein Problem hin. Im Fall einer ungewöhnlichen Vibration des Geräts finden Sie unter „Problembeseitigung“ weitere Informationen.
 - ◆ Tragen Sie beim Betreiben des Rasenmähers stets geeigneten Augen- und Atemschutz.
 - ◆ Der Gebrauch von Zubehörteilen oder Zusätzen, die nicht für den Gebrauch mit dem Rasenmäher empfohlen werden, kann gefährlich sein. Verwenden Sie nur von BLACK+DECKER genehmigtes Zubehör.
 - ◆ Beugen Sie sich nicht zu weit nach vorne, wenn Sie den Rasenmäher betreiben. Achten Sie während des Betriebs des Rasenmähers stets auf Ihre Standfestigkeit und Ihr Gleichgewicht.
 - ◆ Mähen Sie stets parallel zum Hang, nie den Hang hinauf oder hinunter. Arbeiten Sie mit äußerster Vorsicht, wenn Sie an Hängen die Richtung wechseln.
 - ◆ Achten Sie auf Löcher, Wurzeln, Bodenunebenheiten, Steine und andere verborgene Objekte. Unebenes Gelände kann zu Unfällen durch Stürze führen. Hohes Gras kann Hindernisse verbergen.
 - ◆ Mähen Sie nie nasses Gras. Mähen Sie nicht an steilen Hängen. Mangelnde Standfestigkeit kann zu

Unfällen durch Stürze führen.

- ◆ Mähen Sie nicht in der Nähe von Abhängen, Gräben oder Böschungen. Es besteht die Gefahr, dass Sie ausrutschen oder das Gleichgewicht verlieren.
- ◆ Lassen Sie den Rasenmäher vor der Lagerung stets abkühlen.

Restrisiken.

Beim Gebrauch dieses Geräts verbleiben zusätzliche Restrisiken, die möglicherweise nicht in den Sicherheitswarnungen genannt werden. Diese Risiken bestehen beispielsweise bei Missbrauch oder längerem Gebrauch. Auch bei der Einhaltung der entsprechenden Sicherheitsvorschriften und der Verwendung aller Sicherheitsgeräte bestehen weiterhin bestimmte Restrisiken. Diese sind:

- ◆ Verletzungen, die durch das Berühren von sich drehenden/bewegenden Teilen verursacht werden.
- ◆ Verletzungen, die durch das Austauschen von Teilen, Messern oder Zubehör verursacht werden.
- ◆ Der längere Gebrauch eines Geräts kann Verletzungen zur Folge haben. Legen Sie bei längerem Gebrauch regelmäßige Pausen ein.
- ◆ Schwerhörigkeit.
- ◆ Gesundheitsrisiken durch das Einatmen von Staub beim Gebrauch des Geräts (z. B. bei Holzarbeiten, insbesondere Eiche, Buche und Pressspan)

Warnsymbole

Die folgenden Warnsymbole sind am Gerät inkl. Datumscode angebracht:



Warnung! Lesen Sie vor Inbetriebnahme die Bedienungsanleitung.



Schützen Sie das Gerät vor Feuchtigkeit und Regen.



Vorsicht: Die Messer sind scharf. Entfernen Sie stets den Sicherheitsschlüssel, bevor Sie den Rasenmäher reinigen, den Grasfangbeutel entfernen, Verstopfungen aus der Auswurföffnung beseitigen, den Rasenmäher unbeaufsichtigt lassen bzw. Anpassungen vornehmen oder Reparaturen und Inspektionen ausführen.



Achten Sie auf Gegenstände, die eventuell umhergeschleudert werden. Halten Sie andere Personen von der Schneidzone fern.



Tragen Sie Augenschutz



Das Messer dreht sich auch nach dem Ausschalten des Geräts weiter.



Garantierter Schalldruckpegel, gemessen nach Richtlinie 2000/14/EG.

Zusätzliche Sicherheitshinweise für Akkus und Ladegeräte

Akkus

- ◆ Keinesfalls versuchen, den Akku zu öffnen.
- ◆ Achten Sie darauf, dass der Akku nicht mit Wasser in Berührung kommt.
- ◆ Setzen Sie den Akku keinen hohen Temperaturen aus.
- ◆ Nicht bei Temperaturen über 40 °C lagern.
- ◆ Laden Sie den Akku nur bei Umgebungstemperaturen von 10 °C bis 40 °C auf.
- ◆ Verwenden Sie ausschließlich das mit dem Gerät gelieferte Ladegerät. Das Verwenden eines falschen Ladegeräts kann zu einem Stromschlag oder dem Überhitzen des Akkus führen.
- ◆ Beachten Sie zur Entsorgung von Akkus oder Batterien die Hinweise im Abschnitt „Umweltschutz“.
- ◆ Der Akku darf nicht durch mechanische Krafteinwirkung oder Belastungen beschädigt oder verformt werden. Andernfalls besteht Verletzungs- und Brandgefahr.
- ◆ Laden Sie beschädigte Akkus nicht auf.
- ◆ Unter extremen Bedingungen können Akkus undicht werden. Wenn Sie feststellen, dass aus dem Akku Flüssigkeit austritt, wischen Sie diese vorsichtig mit einem Tuch ab. Vermeiden Sie Hautkontakt.

- ◆ Beachten Sie nach Haut- oder Augenkontakt die folgenden Hinweise.

Warnung! Batteriesäure kann Sach- oder Personenschäden verursachen. Spülen Sie die Säure bei Hautkontakt sofort mit Wasser ab. Suchen Sie einen Arzt auf, wenn sich auf der Haut Rötungen, Reizungen oder andere Irritationen zeigen. Spülen Sie das Auge nach Augenkontakt sofort mit sauberem Wasser aus und suchen Sie einen Arzt auf.



Versuchen Sie nie, beschädigte Akkus aufzuladen.

Ladegeräte

Das Ladegerät ist für eine bestimmte Spannung ausgelegt. Stellen Sie sicher, dass die Netzspannung der auf dem Typenschild des Geräts angegebenen Spannung entspricht.

Warnung! Ersetzen Sie das Ladegerät keinesfalls durch ein normales Netzkabel.

- ◆ Verwenden Sie das BLACK+DECKER-Ladegerät nur für den Akku des Werkzeugs, mit dem es geliefert wurde. Andere Akkus können platzen und Sachschäden oder Verletzungen verursachen.
- ◆ Versuchen Sie keinesfalls, nicht aufladbare Batterien zu laden.
- ◆ Bei einer Beschädigung des Netzkabels muss dieses durch den Hersteller oder eine BLACK+DECKER-Vertragswerkstatt ausgetauscht werden, um mögliche Gefahren zu vermeiden.

- ◆ Achten Sie darauf, dass das Ladegerät nicht mit Wasser in Berührung kommt.
- ◆ Versuchen Sie nicht, das Ladegerät zu öffnen.
- ◆ Nehmen Sie am Ladegerät keine Veränderungen vor.
- ◆ Beim Laden des Geräts/Werkzeugs/ Akkus muss auf ausreichende Belüftung geachtet werden.



Das Ladegerät darf nur im Innenbereich verwendet werden.



Vor Gebrauch die Anleitung lesen.

Elektrische Sicherheit



Das Ladegerät ist schutzisoliert, daher ist keine Erdleitung erforderlich. Stellen Sie sicher, dass die Netzspannung der auf dem Typenschild des Geräts angegebenen Spannung entspricht. Ersetzen Sie das Ladegerät keinesfalls durch ein normales Netzkabel.

Merkmale

Dieses Gerät verfügt über einige oder alle der folgenden Merkmale.

1. Sicherheitsschlüssel
2. Bügelschalter
3. Entriegelung
4. Griff
5. Kabelhalteklammern
6. Griffoberteil
7. Schnellentriegelungen für Griffoberteil
8. Anzeige für vollen Grasfangbehälter
9. Grasfangbehälter
10. Griffunterteil

11. Schnellentriegelungen für Griffunterteil
12. Gefederte Hecktür
13. Griff für die Höhenanpassung
14. Batterieabdeckung
15. Entriegelung der Akkuabdeckung
16. Griff

Montage

Warnung! Vergewissern Sie sich vor der Montage, dass das Gerät ausgeschaltet ist und dass Sicherheitsschlüssel und Akku entfernt wurden.

Montage des Grasfangbehälters (Abb. A - C)

Der Grasfangbehälter muss vor der Verwendung aus drei Einzelteilen zusammengesetzt werden.

- ◆ Setzen Sie die beiden Hälften des Grasfangbehälters (9) zusammen (Abb. A). Stellen Sie sicher, dass alle Klammern und Führungen entsprechend ausgerichtet sind.
- ◆ Richten Sie den Deckel (17) auf dem zusammengesetzten Grasfangbehälter aus. Stellen Sie sicher, dass die Führungen und Klammern entsprechend positioniert sind.

Hinweis: Achten Sie besonders auf die Ausrichtung der Klammern an der Rückseite des Grasfangbehälters.

- ◆ Drücken Sie den Deckel nach unten, sodass alle Klammern einrasten. Führen Sie diesen Schritt von der Vorderseite ausgehend zur Rückseite durch. Stellen Sie sicher, dass alle Klammern eingerastet sind.

Anbringen des Griffunterteils (Abb. D und E)

- ◆ Entfernen Sie die Schnellentriegelungen für das Griffunterteil (11) von der Basis des Rasenmähers.
- ◆ Positionieren Sie das Griffunterteil (10) um die Basis und achten Sie darauf, dass die drei Einkerbungen (18) am Griffunterteil (10) nach oben zeigen.
- ◆ Schrauben Sie die Schnellentriegelungen für das Griffunterteil (11) durch das Griffunterteil in die Basis des Rasenmähers bis zur Hälfte ein. Schließen Sie die Schnellentriegelungen (Abb. E) und achten Sie darauf, dass die Zähne von Griff und Basis ineinandergreifen. Wenn die Verbindung zwischen Griff und Schnellentriegelungen zu fest oder zu locker ist, justieren Sie die Tiefe der Schnellentriegelungen und schließen Sie sie erneut, bis die Zähne vollständig ineinandergreifen.

Anbringen des Griffoberteils (Abb. F und G)

- ◆ Bringen Sie das Griffoberteil (6) am Griffunterteil (10) mit den Schnellentriegelungen für das Griffoberteil (7) und den zugehörigen Muttern (19) wie abgebildet an.
- ◆ Schrauben Sie die Schnellentriegelungen für das Griffoberteil (7) durch das Griffunterteil in die zugehörigen Muttern (20) bis zur Hälfte ein. Schließen Sie die Schnellentriegelungen (Abb. G).

Wenn die Verbindung zwischen Griff und Schnellentriegelungen zu fest oder zu locker ist, justieren Sie die Tiefe der Schnellentriegelungen und schließen Sie sie erneut, bis die Zähne vollständig ineinandergreifen.

Einstellen der Höhe des Griffs (Abb. H)

- ◆ Öffnen Sie den Schnellentriegelungen für das Griffunterteil gemäß der Abbildung.
- ◆ Heben oder senken Sie den Griff in eine der drei markierten Positionen neben den Schnellentriegelungen für das Griffunterteil.
- ◆ Schließen Sie die Schnellentriegelungen für das Griffunterteil (11) und achten Sie darauf, dass die Zähne von Griff und Basis ineinandergreifen.
Wenn die Verbindung zwischen Griff und Schnellentriegelungen zu fest oder zu locker ist, justieren Sie die Tiefe der Schnellentriegelungen und schließen Sie sie erneut, bis die Zähne vollständig ineinandergreifen.

Sichern des Motorkabels

Das Motorkabel muss mithilfe des Kabelhalters fixiert werden.

- ◆ Sichern Sie das Kabel am Griffoberteil und -unterteil, indem Sie es in den Kabelhalteklammern (5) befestigen.

Anbringen des Grasfangbehälters (Abb. I und J)

- ◆ Heben Sie die Grasentnahmeklappe (12) an und stecken Sie den Grasfangbehälter (9) in die Haltevorrichtung (20).

Anpassen der Radhöhen (Abb. K und L)

Ihr Rasenmäher verfügt über das Höhenanpassungssystem BLACK+DECKER Easy. Mit diesem System wird die Höhe aller vier Räder gleichzeitig eingestellt.

Der Rasenmäher verfügt über sechs

Höhenanpassungsstellungen für das Messer (30 mm bis 80 mm). Diese werden auf der Skala an der Seite des Rasenmähers dargestellt. Der Zeiger zeigt die Schnitthöheneinstellung für den Rasen an.

Diese Einstellung kann als Referenz verwendet werden, wenn Sie Ihren Rasen beim nächsten Mähen auf dieselbe Höhe zuschneiden möchten.

- ◆ Lassen Sie den Bügelschalter (2) los, um den Rasenmäher auszuschalten, warten Sie, bis das Messer zum Stillstand gekommen ist, und entfernen Sie den Sicherheitsschlüssel (1).
- ◆ Um die Schnitthöhe zu vergrößern bzw. zu verringern, legen Sie Ihre Handfläche auf die Handflächenauflage (21) und ziehen den Hebel für die Höheneinstellung (13) vom Rumpf des Rasenmähers weg.
- ◆ Bringen Sie den Hebel für die Höheneinstellung (13) in die gewünschte Position und drücken Sie ihn zurück in Richtung Rumpf des Rasenmähers.

Hinweis: Stellen Sie sicher, dass der Rasenmäher in einer der sechs Positionen sicher verriegelt ist.

Entnehmen und Einsetzen des Akkus (Abb. O)

Vor dem Entfernen des Akkus:

- ◆ Stellen Sie den Rasenmäher auf einer ebenen Fläche ab.
- ◆ Lassen Sie den Bügelschalter (2) los, um den Rasenmäher auszuschalten, warten Sie, bis das Messer zum Stillstand gekommen ist, und entfernen Sie den Sicherheitsschlüssel (1).

So entfernen Sie den Akku:

- ◆ Ziehen Sie die Entriegelung der Akkuabdeckung (15) in Richtung Vorderseite des Rasenmäherrumpfs und heben Sie die Akkuabdeckung (14) an.
- ◆ Nehmen Sie den Akku (22) aus dem Rasenmäher heraus.

So setzen Sie den Akku ein:

- ◆ Ziehen Sie die Entriegelung der Akkuabdeckung (15) in Richtung Vorderseite des Rasenmäherrumpfs und heben Sie die Akkuabdeckung (14) an.
- ◆ Setzen Sie den Akku (22) in den Rasenmäher ein. (Der Akku kann nur in einer Ausrichtung eingesetzt werden.)

Verwendung

Warnung! Beschleunigen Sie den Arbeitsvorgang nicht mit Gewalt.

Vermeiden Sie eine Überlastung.

Laden des Akkus (Abb. M)

Der Akku muss vor der erstmaligen Benutzung sowie immer dann aufgeladen werden, wenn das Gerät nicht mehr mit voller Leistung arbeitet. Der Akku kann sich während des Aufladens erwärmen. Das ist normal und deutet nicht auf ein Problem hin.

Warnung! Laden Sie den Akku nicht, wenn die Umgebungstemperatur unter 10 °C oder über 40 °C liegt. Empfohlene Ladetemperatur: ca. 24 °C.

Hinweis: Ein Akku, bei dem die Temperatur der Batteriezellen unter ca. 0 °C oder über 40 °C liegt, wird vom Ladegerät nicht geladen.

Lassen Sie in diesem Fall den Akku im Ladegerät. Das Ladegerät beginnt automatisch mit dem Ladevorgang, sobald sich die Zellen erwärmt bzw. abgekühlt haben.

- ◆ Setzen Sie den Akku (22) in das Ladegerät (23) ein, um diesen zu laden. Der Akku kann nur in einer Richtung in das Ladegerät eingesetzt werden. Erzwingen Sie den Arbeitsvorgang nicht. Vergewissern Sie sich, dass der Akku ordnungsgemäß im Ladegerät steckt.
- ◆ Schließen Sie das Ladegerät an eine Steckdose an und schalten Sie die Stromversorgung ein.

Die Ladeanzeige (24) blinkt durchgängig grün (langsam). Der Ladevorgang ist abgeschlossen, wenn die Ladeanzeige (24) dauerhaft grün leuchtet. Sie können

den Akku auf unbestimmte Zeit im Ladegerät belassen. In diesem Fall leuchtet die LED-Anzeige. Die LED-Anzeige beginnt grün zu blinken (Ladezustand), wenn der Akku gelegentlich nachgeladen wird. Solange der Akku mit dem angeschlossenen Ladegerät verbunden ist, leuchtet die Ladeanzeige (24).

- ◆ Ein entladener Akku sollte innerhalb einer Woche wieder aufgeladen werden. Die Lebensdauer des Akkus wird erheblich reduziert, wenn dieser in entladener Zustand aufbewahrt wird.

Belassen des Akkus im Ladegerät

Sie können den Akku auch im Ladegerät belassen. In diesem Fall leuchtet die LED-Anzeige dauerhaft. Das Ladegerät hält den Akku in einem vollständig geladenen Zustand.

Diagnose des Ladegeräts

Wenn das Ladegerät einen schwachen Ladestand oder beschädigten Akku feststellt, blinkt die Ladeanzeige (24) in schneller Folge rot.

Gehen Sie folgendermaßen vor:

- ◆ Setzen Sie den Akku (22) erneut ein.
- ◆ Falls die Ladeanzeige weiterhin in schneller Folge rot aufblinkt, verwenden Sie einen anderen Akku, um herauszufinden, ob der Ladevorgang ordnungsgemäß ausgeführt wird.
- ◆ Wenn der ersetzte Akku ordnungsgemäß geladen wird, ist der ursprüngliche Akku defekt. Geben Sie diesen in einer Vertragswerkstatt ab, damit er recycelt werden kann.
- ◆ Wenn bei dem neuen Akku dieselbe Anzeige erscheint wie bei dem ursprünglichen Akku, lassen Sie das Ladegerät von einer autorisierten Vertragswerkstatt überprüfen.

Hinweis: Es kann bis zu 30 Minuten dauern, bis sich herausstellt, ob der Akku tatsächlich defekt ist.

Falls der Akku zu warm oder zu kalt sein sollte, blinkt die LED-Anzeige abwechselnd langsam und schnell rot auf. Die Anzeige blinkt hierbei einmal langsam, einmal schnell. Danach wiederholt sich der Vorgang.

Ladestandanzeige (Abb. N)

Der Akku verfügt über eine Ladestandanzeige. Mithilfe dieser Anzeige kann während der Verwendung und während des Ladevorgangs der aktuelle Ladestand des Akkus überprüft werden.

- ◆ Drücken Sie die Taste der Ladestandanzeige (25).

Sicherheitsschlüssel (Abb. P)

Entfernen Sie den Sicherheitsschlüssel:

- ◆ Wenn das Gerät unbeaufsichtigt gelassen wird.
- ◆ Bevor Blockaden entfernt werden.
- ◆ Vor dem Überprüfen, Reinigen oder Warten des Geräts.
- ◆ Nach dem Überfahren eines Fremdkörpers.
- ◆ Wenn das Gerät ungewöhnlich stark zu vibrieren beginnt.

Ein- und Ausschalten (Abb. P und Q)

Warnung! Scharfes, bewegliches Messer. Versuchen Sie niemals, die Funktion dieses Schalters und des Sicherheitsschlüsselsystems zu manipulieren, da dies ernsthafte Verletzungen zur Folge haben kann.

Einschalten

- ◆ Stecken Sie den Sicherheitsschlüssel (1) ins Schloss.
- ◆ Drücken Sie die Entriegelungstaste (3) an der Oberseite des Schlosses.
- ◆ Ziehen Sie den Bügelschalter (2) in Richtung des Griffs (4).

Ausschalten

- ◆ Lassen Sie zum Ausschalten des Rasenmähers den Bügelschalter (2) los.

Sobald der Bügelschalter (2) in die ursprüngliche Stellung zurückgekehrt ist, wird der automatische Bremsmechanismus aktiviert. Der Motor wird elektronisch gebremst und das Messer des Rasenmähers kommt innerhalb von 3 Sekunden zum Stillstand.

Anzeige für vollen Grasfangbehälter (Abb. R)

Der Rasenmäher verfügt über eine Vorrichtung, die anzeigt, wann der Grasfangbehälter voll ist und geleert werden muss.

- ◆ Wenn der Rasenmäher eingeschaltet und der Grasfangbehälter leer ist, befindet sich die Anzeige in der geöffneten Position (26).
- ◆ Wenn der Rasenmäher eingeschaltet und der Grasfangbehälter voll ist, befindet sich die Anzeige in der geschlossenen Position (27).

Hinweise für optimale Arbeitsergebnisse

- ◆ Rasenflächen sollten erstmals im Frühjahr gemäht werden, wenn das Gras zwischen 63 mm und 76 mm hoch ist. Wenn der Rasen zu früh gemäht wird, kann dies das Wurzelsystem beschädigen, das im Frühjahr neu austreibt. Frisches Gras sollte gemäht werden, wenn es etwa 63 mm hoch ist.
- ◆ Entfernen Sie pro Mähvorgang höchstens ein Drittel der Länge des Grases. Wenn zuviel Gras abgeschnitten wird, kann dies die Wurzeln beschädigen und die Wasseraufnahme des Rasens beeinträchtigen.
- ◆ Mähen Sie trockene Rasenflächen, um das Verklumpen von feuchtem Gras zu vermeiden. Der Spätnachmittag ist die beste Zeit zum Rasenmähen, da das Gras trocken ist und frisch gemähte Flächen keiner intensiven Sonneneinstrahlung ausgesetzt werden.
- ◆ Halten Sie das Mähmesser scharf, um ein sauberes Schnittergebnis zu erzielen. Dies steigert die Leistung des Rasenmähers und verbessert das Erscheinungsbild des Rasens. Ein stumpfes Messer verursacht unansehnliche Grasspitzen. Dies beeinträchtigt das natürliche

Wachstum des Rasens und erhöht die Empfindlichkeit für Rasenkrankheiten. Wenn die Grasspitzen beschädigt werden, erhält der Rasen eine bräunliche Farbe und ein ungesundes Erscheinungsbild. Durch ein stumpfes Messer können außerdem junge Graskeime ausgerissen werden.

- ◆ Versuchen Sie, den Rasen auf eine einheitliche Länge zu mähen. Die Schnitthöhe sollte ggf. an die wechselnden Jahreszeiten angepasst werden. Jedoch sorgt eine einheitliche Schnitthöhe für einen gesünderen, ansehnlicheren Rasen mit weniger Unkraut. Mähen Sie öfter, wenn das Gras rasch wächst. Durch regelmäßiges Mähen wird sichergestellt, dass der untere, weniger ansehnliche Teil des Rasens verborgen bleibt.
- ◆ Mähen Sie Ihren Rasen mit einer Schnitthöhe, die ein bis zwei Einstellungen über der gewohnten Höhe liegt, wenn der Rasen zu hoch gewachsen ist, beispielsweise während eines Urlaubs. Sie können den Rasen einige Tage später mit der gewohnten Einstellung erneut mähen. Mit der BLACK+DECKER One Touch-Radhöhenanpassung, mit der die Höhe aller vier Räder gleichzeitig angepasst wird, ist das Einstellen der Schnitthöhe eine einfache Angelegenheit.
- ◆ Im Frühjahr und im Herbst oder nach einer längeren Unterbrechung beim Mähen, ist das Gras länger und dicker. Stellen Sie die Räder auf eine höhere Schnitthöhe ein, wenn sich der Motor während des Mähens wiederholt verlangsamt. Eine übermäßige Motorbelastung kann einen ungleichmäßigen Schnitt, ein schnelleres Entladen des Akkus und eine Überlastung des Motors, bei der der Motor abgeschaltet wird, zur Folge haben.
- ◆ Im Folgenden finden Sie drei Tipps zur Verschönerung Ihres Rasens: Wechseln Sie regelmäßig die Mährichtung, mähen Sie quer zu Abhängen (auch zu Ihrer Sicherheit), und achten Sie darauf, dass sich die Mähbahnen überschneiden.

Tipps für das Rasenmähen

Hinweis: Kontrollieren Sie stets den Bereich, in dem der Rasenmäher verwendet werden soll, und entfernen Sie Steine, Äste, Drähte, Knochen usw., die in das Messer geraten könnten.

- ◆ Mähen Sie stets parallel zum Hang, nie den Hang hinauf oder hinunter. Arbeiten Sie mit äußerster Vorsicht, wenn Sie an Hängen die Richtung wechseln. Mähen Sie nicht an steilen Hängen. Achten Sie auf Trittsicherheit.
- ◆ Lassen Sie den Bügelschalter (2) los, um den Rasenmäher auszuschalten, wenn Sie Bereiche mit Kies überqueren, da durch das rotierende Messer Steine umhergeschleudert werden können.
- ◆ Stellen Sie den Rasenmäher auf die größtmögliche Schnitthöhe ein, wenn Sie unebene Flächen oder hohes Gras mähen. Wenn zu viel Gras auf einmal

geschnitten wird, kann dies eine Überlastung des Motors zur Folge haben und den Rasenmäher zum Stillstand bringen. Weitere Informationen finden Sie unter „Problembhebung“. Wenn der Grasfangbehälter (9) in der Jahreszeit verwendet wird, in der das Gras stark wächst, verfangt sich das Gras möglicherweise in der Auswurföffnung.

- ◆ Lassen Sie den Bügelschalter (2) los, um den Rasenmäher auszuschalten, und entfernen Sie den Sicherheitsschlüssel (1).
- ◆ Entfernen Sie den Grasfangbehälter (9), und schütteln Sie das Gras in das der Auswurföffnung gegenüberliegende Ende des Grasfangbeutels.
- ◆ Entfernen Sie Gras und Verschmutzungen aus dem Bereich der Auswurföffnung.
- ◆ Bringen Sie den Grasfangbehälter (9) wieder an.

Wenn der Rasenmäher ungewöhnlich stark zu vibrieren beginnt:

- ◆ Lassen Sie den Bügelschalter (2) sofort los, um den Rasenmäher auszuschalten, und entfernen Sie den Sicherheitsschlüssel (1) und den Akku (22).
- ◆ Ermitteln Sie den Grund für die Vibrationen. Vibrationen deuten auf ein Problem hin. Betreiben Sie den Rasenmäher nicht mehr, bis eine Wartung durchgeführt wurde. Weitere Informationen finden Sie in dieser Anleitung unter „Problembhebung“.

Hinweis: Lassen Sie den Bügelschalter stets los, um den Rasenmäher auszuschalten, und entfernen Sie den Sicherheitsschlüssel, wenn Sie den Rasenmäher (auch kurzfristig) unbeaufsichtigt lassen.

Mithilfe der folgenden Vorschläge erzielen Sie optimale Betriebszeiten des kabellosen Rasenmähers:

- ◆ Arbeiten Sie in Bereichen mit besonders langem oder dickem Gras langsam.
- ◆ Mähen Sie kein feuchtes Gras.
- ◆ Mähen Sie den Rasen regelmäßig, besonders während Perioden starken Wachstums.

Wartung

Ihr BLACK+DECKER Gerät (mit und ohne Netzkabel) wurde im Hinblick auf eine lange Lebensdauer und einen möglichst geringen Wartungsaufwand entwickelt. Ein dauerhafter, einwandfreier Betrieb setzt eine regelmäßige Pflege und Reinigung voraus.

Das Ladegerät benötigt keine Wartung, es sollte jedoch regelmäßig gereinigt werden.

Warnung! Vor dem Ausführen jeglicher Wartungsarbeiten an Geräten mit und ohne Netzkabel:

- ◆ Schalten Sie das Gerät aus und ziehen Sie den Netzstecker.
- ◆ Wenn der Akku integriert ist, entladen Sie diesen vor dem Abschalten vollständig.
- ◆ Ziehen Sie das Ladegerät aus der Netzsteckdose, bevor

Sie es reinigen. Das Ladegerät benötigt keine Wartung, es sollte jedoch regelmäßig gereinigt werden.

- ◆ Reinigen Sie die Lüftungsschlitze des Geräts und des Ladegeräts regelmäßig mit einer weichen Bürste oder einem trockenen Tuch.
- ◆ Reinigen Sie das Motorgehäuse regelmäßig mit einem feuchten Tuch. Verwenden Sie keine scheuernden Reinigungsmittel oder Reinigungsmittel auf Lösungsmittelbasis.
- ◆ Entfernen Sie mit einem stumpfen Schaber regelmäßig Gras und Erde von der Unterseite der Schutzvorrichtung.

Entfernen und Anbringen des Messers (Abb. S, T und U)

Warnung! Berühren Sie das Messer keinesfalls, bevor Sie den Sicherheitsschlüssel entfernt haben und das Messer vollständig zum Stillstand gekommen ist.

- ◆ Lassen Sie den Bügelschalter (2) los, um den Rasenmäher auszuschalten, warten Sie, bis das Messer zum Stillstand gekommen ist, und entfernen Sie den Sicherheitsschlüssel (1).
- ◆ Schneiden Sie ein Stück Holz (ca. 50 mm x 100 mm x 600 mm) zu, um mit diesem das Drehen des Messers beim Entfernen der Flanschmutter (29) zu verhindern.
- ◆ Kippen Sie den Rasenmäher auf die Seite.

Warnung! Tragen Sie Handschuhe und einen geeigneten Augenschutz. Achten Sie auf die scharfen Messerklingen.

- ◆ Setzen Sie das Holzstück (28) ein, und entfernen Sie die Flanschmutter (29) mit einem 13-mm-Schraubenschlüssel (Abb. S).
- ◆ Entfernen Sie die Unterlegscheibe (30), das Messer (31), den quadratischen Abstandhalter (32) und das Flügelrad (33) (Abb. T). Prüfen Sie den Abstandhalter (32) und das Flügelrad (33) auf eventuelle Beschädigungen und ersetzen Sie sie ggf.

Achten Sie beim Anbringen des Messers darauf, dass die Grasseite des Messers (durch Pfeile an beiden Enden angezeigt) nach unten weist, wenn der Rasenmäher sich wieder in der normalen, aufrechten Stellung befindet.

- ◆ Bringen Sie das Flügelrad (33) an. Achten Sie darauf, dass die Flügel des Flügelrads (34) in Richtung des Rasenmähers zeigen.
- ◆ Bringen Sie den Abstandhalter (32) an. Achten Sie darauf, dass die D-förmigen Stifte (35) vom Rasenmäher weg zeigen.
- ◆ Achten Sie darauf, die Abflachungen am Flügelrad (33) und am Abstandhalter (32) an den Abflachungen der Welle auszurichten.
- ◆ Setzen Sie das Messer (31) so auf den Abstandhalter (32), dass die Pfeile nach außen zeigen.
- ◆ Positionieren Sie das Holzstück (28), um das Drehen des Messers (31) zu verhindern (Abb. U).
- ◆ Bringen Sie die Unterlegscheibe (30) und die

Flanschmutter (29) an und ziehen Sie sie mit einem 13-mm-Schlüssel fest.

Schärfen des Messers (Abb. V)

Halten Sie das Messer scharf, um stets eine optimale Leistung zu erzielen. Mit einem stumpfen Messer kann weder ordnungsgemäß gemäht noch gemulcht werden.

Warnung! Vergewissern Sie sich stets, dass der Sicherheitsschlüssel entfernt wurde.

Warnung! Tragen Sie beim Entfernen, Schärfen und Anbringen des Messers einen geeigneten Augenschutz.

In der Regel ist es ausreichend, das Messer während der Mähseason zweimal zu schärfen. Sand führt dazu, dass das Messer rasch stumpf wird. Wenn Ihr Rasen einen sandigen Untergrund aufweist, muss das Messer möglicherweise häufiger geschärft werden.

- ◆ Ersetzen Sie verbogene oder beschädigte Messer umgehend.

Beim Schärfen des Messers:

- ◆ Stellen Sie sicher, dass das Messer gleichmäßig bleibt.
- ◆ Schärfen Sie das Messer im ursprünglichen Schnittwinkel.
- ◆ Schärfen Sie beide Enden des Messers und entfernen Sie an beiden Enden die gleiche Menge Material.

So schärfen Sie ein Messer in einem Schraubstock (Abb. V)

- ◆ Lassen Sie den Bügelschalter (2) los, um den Rasenmäher auszuschalten, und warten Sie, bis das Messer vollständig zum Stillstand gekommen ist.
- ◆ Entfernen Sie den Sicherheitsschlüssel (1) sowie den Akku (22) und kippen Sie den Rasenmäher auf die Seite.
- ◆ Entfernen Sie das Messer (31) vom Rasenmäher. Weitere Informationen finden Sie unter „Entfernen und Anbringen des Messers“.

Warnung! Tragen Sie geeigneten Augenschutz und Handschuhe. Achten Sie auf die scharfen Schneiden des Messers.

- ◆ Befestigen Sie das Messer (31) in einer Zwinge.
- ◆ Schärfen Sie die Schneiden des Messers vorsichtig mit einer feinen Feile oder einem Schleifstein. Behalten Sie den ursprünglichen Schnittwinkel bei.
- ◆ Überprüfen Sie die Balance des Messers. Beachten Sie die Anweisungen unter „Ausbalancieren des Messers“.
- ◆ Bringen Sie das Messer (31) am Rasenmäher an und ziehen Sie dieses sicher fest. Weitere Informationen finden Sie unter „Entfernen und Anbringen des Messers“.

Ausbalancieren des Messers (Abb. W)

- ◆ Prüfen Sie die Balance des Messers, indem Sie das Mittelloch des Messers auf einen Nagel oder einen horizontal in einer Zwinge befestigten Schraubendreher stecken. Wenn sich eines der Enden des Messers nach

unten bewegt, feilen Sie dieses Ende ab, bis das Messer ausbalanciert ist.

Schmierung

Schmieren ist nicht erforderlich. Ölen Sie die Räder nicht. Die Räder verfügen über Kunststofflager, die nicht geschmiert werden müssen.

Reinigung

- ◆ Lassen Sie den Bügelhalter (2) los, um den Rasenmäher auszuschalten, und warten Sie, bis das Messer vollständig zum Stillstand gekommen ist.
- ◆ Entfernen Sie den Sicherheitsschlüssel (1).
- ◆ Reinigen Sie den Rasenmäher ausschließlich mit milder Seifenlösung und einem angefeuchteten Tuch.
- ◆ Verwenden Sie ein stumpfes Werkzeug, um geschnittenes Gras von der Unterseite des Rasenmähers zu entfernen.
- ◆ Überprüfen Sie nach mehrmaligem Gebrauch, ob alle Befestigungen fest angezogen sind.

Verhindern von Rost

Düngemittel und andere in Gärten verwendete Chemikalien enthalten Stoffe, die das Rosten von Metallen stark beschleunigen. Wenn Sie Flächen mähen, auf denen Düngemittel oder Chemikalien verwendet wurden, sollten Sie den Rasenmäher nach dem Gebrauch unmittelbar wie folgt reinigen:

- ◆ Lassen Sie den Bügelhalter (2) los, um den Rasenmäher auszuschalten, und warten Sie, bis das Messer vollständig zum Stillstand gekommen ist.
- ◆ Entfernen Sie den Sicherheitsschlüssel (1).
- ◆ Wischen Sie alle offenliegenden Teile mit einem feuchten Tuch ab.

Transport und Aufbewahrung

Warnung! Das sich drehende Messer kann ernsthafte Verletzungen verursachen.

Lassen Sie den Bügelhalter los, um den Rasenmäher auszuschalten, und entfernen Sie den Sicherheitsschlüssel, bevor Sie den Rasenmäher anheben, transportieren oder lagern. Lagern Sie das Gerät an einem trockenen Ort.

Hinweis: Der Rasenmäher ist leichter, wenn der Akku entfernt wird. Heben Sie den Rasenmäher nicht an der Klappe an.

Aufbewahrung

In warmem Klima wird empfohlen, den Akku vollständig geladen zu halten, um stets die optimale Leistung zu erzielen. Der Akku kann mit ausgestecktem Ladegerät gelagert werden, wenn die folgenden Bedingungen erfüllt sind.

- ◆ Der Akku wird vor dem Lagern vollständig aufgeladen.
- ◆ Die durchschnittliche Lagertemperatur beträgt weniger als 10 ° C.

Fehlerbehebung

Wenn das Gerät nicht richtig zu funktionieren scheint, befolgen Sie die nachfolgenden Hinweise. Sollte sich ein Problem nicht beheben lassen, wenden Sie sich an eine BLACK+DECKER Vertragswerkstatt in Ihrer Nähe.

Warnung! Lassen Sie erst den Bügelhalter los, um den Rasenmäher auszuschalten. Warten Sie, bis das Messer zum Stillstand gekommen ist, und entfernen Sie den Sicherheitsschlüssel.

Problem	Mögliche Lösung
Das Gerät funktioniert nicht.	Stellen Sie sicher, dass sich der Sicherheitsschlüssel ordnungsgemäß im Schloss befindet und dass der Verriegelungsknopf vollständig gedrückt wird, bevor Sie den Bügelhalter bewegen.
	Lassen Sie den Bügelgriff los, um den Rasenmäher auszuschalten. Entfernen Sie den Sicherheitsschlüssel und den Akku, kippen Sie den Rasenmäher auf die Seite und überprüfen Sie, ob sich das Messer frei drehen lässt.
	Stellen Sie sicher, dass das Akkufach frei von Verschmutzungen ist und dass der Akku ordnungsgemäß eingesetzt wurde.
	Wurde der Akku vollständig aufgeladen? Schließen Sie das Ladegerät an und warten Sie, bis die grüne Leuchte aufleuchtet.
Der Motor blockiert beim Mähen.	Lassen Sie den Bügelgriff los, um den Rasenmäher auszuschalten. Entfernen Sie den Sicherheitsschlüssel und den Akku. Kippen Sie den Rasenmäher auf die Seite und überprüfen Sie, ob sich das Messer frei drehen lässt.
	Stellen Sie die Schnitthöhe der Räder auf die höchste Position ein und starten Sie den Rasenmäher.
	Stellen Sie sicher, dass das Akkufach frei von Verschmutzungen und ordnungsgemäß angeschlossen ist.
	Wurde der Akku vollständig aufgeladen? Drücken Sie die Taste der Ladestandsanzeige.
Vermeiden Sie eine Überlastung des Rasenmähers. Verlangsamen Sie die Schnittgeschwindigkeit, oder heben Sie die Schnitthöhe an.	
Der Mäher hinterlässt ein ungleichmäßiges Schnittbild, oder der Motor ist überlastet.	Wurde der Akku vollständig aufgeladen? Drücken Sie die Taste der Ladestandsanzeige.
	Lassen Sie den Bügelgriff los, um den Rasenmäher auszuschalten. Entfernen Sie den Sicherheitsschlüssel und den Akku. Kippen Sie den Rasenmäher auf die Seite und überprüfen Sie Folgendes: <ul style="list-style-type: none"> ◆ Schärfe des Messers - Halten Sie das Messer scharf. ◆ Das Deck und die Auswurföffnung auf Verstopfungen.
	Die RadhöhenEinstellung ist möglicherweise zu niedrig für den gegebenen Rasen. Erhöhen Sie die Schnitthöhe.
Der Rasenmäher lässt sich nur schwer schieben.	Lassen Sie den Bügelgriff los, um den Rasenmäher auszuschalten. Entfernen Sie den Sicherheitsschlüssel und den Akku. Vergrößern Sie die Schnitthöhe, um den Widerstand durch das Gras zu verringern. Überprüfen Sie, ob sich die Räder frei drehen lassen

Problem	Mögliche Lösung
Der Rasenmäher ist ungewöhnlich laut und vibriert.	Lassen Sie den Bügelgriff los, um den Rasenmäher auszuschalten. Entfernen Sie den Sicherheitsschlüssel und den Akku. Kippen Sie den Rasenmäher auf die Seite und überprüfen Sie, ob das Messer verbogen oder beschädigt ist. Ersetzen Sie ein beschädigtes Messer ggf. durch ein Ersatzmesser von BLACK + DECKER. Übergeben Sie den Rasenmäher an eine BLACK + DECKER Vertragswerkstatt, wenn die Unterseite des Decks beschädigt ist.
	Wenn das Messer nicht sichtlich beschädigt ist und der Rasenmäher weiterhin vibriert: <ul style="list-style-type: none"> ◆ Lassen Sie den Bügelgriff los, um den Rasenmäher auszuschalten. ◆ Entfernen Sie den Sicherheitsschlüssel und den Akku. ◆ Demontieren Sie die gesamte Messerbaugruppe wie im Abschnitt „Entfernen und Installieren des Messers“ beschrieben. ◆ Entfernen Sie Schmutz und reinigen Sie jedes Teil. ◆ Bringen Sie jedes Teil wie im Abschnitt „Entfernen und Installieren des Messers“ beschrieben wieder an.
	Übergeben Sie den Rasenmäher an eine zugelassene BLACK+DECKER Vertragswerkstatt, wenn das Gerät weiterhin vibriert.
Geschnittenes Gras wird vom Rasenmäher nicht im Beutel aufgesammelt.	Die Auswurföffnung ist verstopft. Lassen Sie den Bügelgriff los, um den Rasenmäher auszuschalten. Entfernen Sie den Sicherheitsschlüssel und den Akku. Entfernen Sie abgeschnittenes Gras aus der Auswurföffnung.
	Heben Sie die Schnitthöhe der Räder an, um die abgeschnittene Länge zu verkürzen.
	Der Behälter ist voll. Leeren Sie den Behälter öfter.

Umweltschutz



Getrennte Entsorgung. Produkte und Akkus mit diesem Symbol dürfen nicht mit dem normalen Hausmüll entsorgt werden.

Sollten Sie Ihr Black & Decker Produkt eines Tages ersetzen oder nicht mehr benötigen, entsorgen Sie es nicht mit dem Hausmüll. Führen Sie dieses Produkt der Abfalltrennung zu. Durch die separate Sammlung von ausgedienten Produkten und Verpackungsmaterialien können Rohstoffe recycelt und wiederverwendet werden.

Die Wiederverwendung von Recyclingstoffen hilft, Umweltverschmutzung zu vermeiden und mindert die Nachfrage nach Rohstoffen.

Die Verordnung zur Abfallentsorgung Ihrer Gemeinde sieht möglicherweise vor, dass Elektrogeräte getrennt vom Hausmüll gesammelt, an der örtlichen Abfallentsorgungseinrichtung abgegeben oder beim Kauf eines neuen Produkts vom Fachhandel zur Entsorgung angenommen werden müssen.

Black & Decker nimmt Ihre ausgedienten Black & Decker Geräte gern zurück und sorgt für eine umweltfreundliche Entsorgung bzw. Wiederverwertung. Um diesen Service zu nutzen, bringen Sie bitte Ihr Produkt zu einer beliebigen autorisierten Kundendienstwerkstatt, die es in unserem Auftrag sammelt.

Bitte fragen Sie Ihre zuständige Black & Decker-Niederlassung (Adresse in dieser Anleitung) nach einer Vertragswerkstatt in Ihrer Nähe. Eine Liste der Vertragswerkstätten und aller Kundendienststellen von Black

& Decker sowie der zuständigen Ansprechpartner finden Sie auch im Internet unter: www.2helpU.com

Denken Sie bei der Entsorgung von verbrauchten Batterien/Akkus an die Umwelt.

- ◆ Entladen Sie den Akku vollständig und entfernen Sie ihn dann aus dem Gerät.
- ◆ NiCd-, NiMH- und Lithium-Ionen-Akkus sind recycelbar. Verpacken Sie die Akkus in einem geeigneten Behälter, sodass die Akkukontakte nicht kurzgeschlossen werden können. Bringen Sie die Batterien oder Akkus zu einer autorisierten Vertragswerkstatt oder zu einer Rücknahmestelle in Ihrer Nähe.
- ◆ Achten Sie darauf, dass die Akkukontakte bzw. Batterieanschlüsse nicht kurzgeschlossen werden.
- ◆ Werfen Sie Akkus nicht in ein Feuer, da dies Verletzungen oder eine Explosion zur Folge haben kann.

Technische Daten

CLM3820		
Eingangsspannung	V _{ac}	36V
Drehzahl ohne Last	U/ min	3500
Gewicht	kg	16,2
Akku		BL2036
Spannung	V _{oc}	36V
Kapazität	Ah	2
Typ		Li-Ionen
Ladegerät		LCS36 typ. 1
Eingangsspannung	V _{ac}	230V
Ausgangsspannung	V _{oc}	36V
Stromstärke	A	1300
Ungefähre Ladezeit	h	1,0 - 2,0

Gewichteter Hand-Arm-Vibrationswert:
= < 2,5 m/s², Unsicherheitsfaktor (K) = 1,5 m/s².

L_w (Schalldruck) 80 dB(A)
Unsicherheitsfaktor (K) = 3 dB(A)

Schnittfläche:

- ◆ Dieser Rasenmäher kann bis zu 300 m² mit einem einzigen 2 Ah-Akku mähen.
- ◆ Diese Fläche (300 m²) wird mit einem einzigen, vollständig aufgeladenen 2 Ah-Akku unter trockenen Bedingungen mit dem Hebel für die Höheneinstellung in Position 6 bei leichtem Graswachstum erreicht.
- ◆ Unter feuchten Bedingungen, mit niedrigeren Höheneinstellungen oder bei starkem Graswachstum kann die Schnittfläche unter 300 m² liegen.

**EU-Konformitätserklärung
MASCHINENRICHTLINIE
RICHTLINIE ÜBER UMWELTBELASTENDE
GERÄUSCHEMISSIONEN**



CLM3820 Rasenmäher

Black & Decker erklärt, dass die in den technischen Daten

beschriebenen Geräte übereinstimmen mit:

2006/42/EC, EN 60335-1:2012/A13:2017;

EN 60335-2-77:2010; EN 62233:2008

2000/14/EG, Rasenmäher, L < 50 cm, Annex VI,

TÜV SÜD Industrie Service GmbH

Westendstraße 199, 80686 München

Land: Deutschland

Nummer der benannten Stelle: 0036

LWA (gemessene Schalleistung) 92 dB(A),

Unsicherheitsfaktor (K) = 2,25 dB(A),

L_{WA} (garantierte Schalleistung) 96 dB(A).

Diese Produkte entsprechen außerdem der Richtlinie 2014/30/EU und 2011/65/EU. Weitere Informationen erhalten Sie von Black & Decker unter der folgenden Adresse. Diese befindet sich auch auf der Rückseite dieser Anleitung.

Der Unterzeichnete ist verantwortlich für die

Zusammenstellung der technischen Daten und gibt diese Erklärung im Namen von Black & Decker ab.

Patrick Diepenbach

Patrick Diepenbach
General Manager, Benelux
Black and Decker,
Egide Walschaertsstraat 14-18
2800 Mechelen, Belgien
16.03.2022

entsprechen und dem Verkäufer bzw. der Vertragswerkstatt ist ein Kaufnachweis vorzulegen. Die Bedingungen für die 2-jährige Garantie von Black&Decker und den Standort Ihrer nächstgelegenen Vertragswerkstatt finden Sie im Internet unter www.2helpU.com, oder indem Sie sich an die lokale Black&Decker-Niederlassung wenden, deren Adresse Sie in dieser Anleitung finden.

Ihr neues Black & Decker Produkt können Sie auf unserer Website unter www.blackanddecker.de registrieren. Dort erhalten Sie auch Informationen über neue Produkte und Sonderangebote.

Garantie

Black & Decker vertraut auf die Qualität der eigenen Geräte und bietet dem Käufer eine außergewöhnliche Garantie von 24 Monaten ab Kaufdatum. Diese Garantie versteht sich unbeschadet der gesetzlichen Gewährleistungsansprüche und schränkt diese keinesfalls ein. Diese Garantie gilt innerhalb der Staatsgebiete der Mitgliedstaaten der Europäischen Union und der Europäischen Freihandelszone.

Zur Inanspruchnahme dieser Garantie muss sie den allgemeinen Geschäftsbedingungen von Black + Decker

Utilisation prévue

Votre tondeuse BLACK+DECKER CLM3820 a été conçue pour tondre l'herbe. Cet appareil est exclusivement destiné à un usage domestique.

Consignes de sécurité

Avertissement ! De simples précautions sont à prendre pour l'utilisation d'appareils sans fil. Les conseils suivants doivent toujours être appliqués afin de réduire le risque d'incendie, de décharge électrique, de blessures et de dommages matériels.

Avertissement ! Les consignes de sécurité doivent être respectées pendant l'utilisation.

Pour votre propre sécurité ainsi que celle des personnes présentes à proximité, lisez ces instructions avant d'utiliser la machine.

Veillez à bien conserver ces instructions afin de pouvoir les utiliser dans le futur.

- ◆ Cet appareil n'est pas conçu pour être utilisé par des personnes (y compris des enfants) aux capacités physiques, sensorielles ou intellectuelles réduites ou qui manquent d'expérience et de connaissances, à moins qu'elles ne soient surveillées ou qu'elles n'aient été formées sur la façon d'utiliser l'appareil, par une personne responsable de leur sécurité.
- ◆ Les enfants doivent être surveillés afin de garantir qu'ils ne jouent pas avec l'appareil.
- ◆ Si le câble d'alimentation est endommagé, il doit être remplacé par le fabricant ou par un centre d'assistance BLACK+DECKER agréé afin d'éviter tout accident.

- ◆ Veillez à attentivement lire l'intégralité de ce manuel avant d'utiliser l'appareil.
- ◆ Cette notice décrit la manière d'utiliser l'appareil. L'utilisation d'un accessoire ou d'un équipement autre que ceux recommandés dans cette notice et l'utilisation de cet appareil à d'autres fins que celles recommandées dans cette notice peuvent entraîner un risque de blessures.
- ◆ Conservez cette notice pour pouvoir vous y référer dans le futur.

Utiliser votre appareil

Prenez toujours toutes les précautions nécessaires lorsque vous utilisez la machine.

- ◆ Cet appareil n'est pas destiné à être utilisé par des personnes trop jeunes ou infirmes sans surveillance.
- ◆ Cet appareil ne doit pas être utilisé comme un jouet.
- ◆ Ne laissez pas les enfants ou les animaux s'approcher de la zone de travail ou toucher l'appareil ou le fil électrique.
- ◆ Une surveillance étroite est nécessaire lorsque l'appareil est utilisé près d'enfants.
- ◆ Il ne doit être utilisé que dans des endroits secs. Ne laissez pas l'appareil être mouillé.
- ◆ Ne plongez pas l'appareil dans l'eau.
- ◆ N'ouvrez pas le boîtier. Il n'existe aucune pièce réparable par l'utilisateur à l'intérieur.
- ◆ N'utilisez pas l'appareil dans un environnement présentant des risques

d'explosion, notamment en présence de liquides, gaz ou poussières inflammables.

- ◆ Pour limiter le risque d'endommagement des prises et des fils électriques, ne débranchez jamais l'appareil en tirant sur le câble.

Après l'utilisation

- ◆ Quand il n'est pas utilisé, l'appareil doit être rangé dans un endroit suffisamment aéré, sec et hors de portée des enfants.
- ◆ Les enfants ne doivent jamais avoir accès aux appareils une fois qu'ils sont rangés.
- ◆ Quand l'appareil est rangé ou transporté dans un véhicule, il doit être installé dans le coffre ou correctement calé pour éviter les mouvements dus aux changements de direction ou de vitesse.

Inspections et réparations

- ◆ Avant utilisation, contrôlez l'absence de dommage sur l'appareil ou ses pièces. Contrôlez l'absence de pièces cassées, d'interrupteurs endommagés et de toutes autres anomalies susceptibles de nuire au bon fonctionnement de l'appareil.
- ◆ N'utilisez pas l'appareil si l'une de ses pièces est endommagée ou défectueuse.
- ◆ Faites réparer ou remplacer les pièces défectueuses ou endommagées par un réparateur agréé.
- ◆ Ne tentez jamais de retirer ou de

remplacer des pièces autres que celles indiquées dans cette notice.

- ◆ Prenez les précautions nécessaires pendant le réglage de la tondeuse pour ne pas coincer vos doigts entre les lames/pièces en mouvement et les pièces fixes de la machine.
- ◆ Pendant l'entretien des lames, n'oubliez pas que même si l'alimentation est coupée, les lames peuvent encore bouger.

Consignes de sécurité supplémentaires propres aux tondeuses

- ◆ Tenez fermement la poignée à deux mains lorsque la tondeuse est en marche.
- ◆ Si pour une raison quelconque, la tondeuse doit être inclinée, maintenez les deux mains en position sur la poignée pendant l'inclinaison. Gardez vos deux mains en position jusqu'à ce que la tondeuse soit à nouveau correctement posée au sol.
- ◆ Ne portez jamais d'écouteurs pour écouter de la musique lorsque la tondeuse est en marche.
- ◆ N'essayez jamais de régler la hauteur des roues quand le moteur tourne ou quand la clé de sécurité est en place.
- ◆ Si la tondeuse cale, relâchez l'arceau pour arrêter la tondeuse, attendez que la lame s'arrête et retirez la clé de sécurité, avant d'essayer de dégager la descente d'éjection ou de retirer tout élément du plateau de coupe.

- ◆ Éloignez vos mains et vos pieds des zones de coupe.
 - ◆ Veillez à garder les lames bien affûtées. Portez toujours des gants de protection pour manipuler la lame de la tondeuse.
 - ◆ Si vous utilisez le bac de ramassage, vérifiez régulièrement son état. Pour votre propre sécurité, remplacez le récupérateur d'herbe par un neuf s'il est très usé.
 - ◆ Prenez toutes les précautions nécessaires quand vous retournez la tondeuse ou que vous la tirez vers vous.
 - ◆ Ne posez pas les mains ou les pieds à côté ou sous la tondeuse. Veillez à ce que l'ouverture d'éjection reste dégagée.
 - ◆ Éliminez de la zone à tondre les cailloux, bâtons, câbles, jouets, os, etc. qui risqueraient d'être projetés par la lame. Les objets coincés dans la lame peuvent provoquer des blessures graves. Restez derrière la tondeuse lorsque le moteur est en marche.
 - ◆ Ne faites pas fonctionner la tondeuse pieds nus ou si vous portez des sandales. Portez toujours des chaussures fermées.
 - ◆ N'utilisez la tondeuse en marche arrière qu'en cas de nécessité absolue. Regardez toujours au sol et derrière vous lorsque vous tondez en marche arrière.
 - ◆ N'éliminez jamais le contenu du sac de ramassage en direction d'une personne. Évitez d'éjecter l'herbe contre un mur ou un autre obstacle.
- Un effet de ricochet vers l'utilisateur est possible. Relâchez l'arceau pour arrêter la tondeuse et arrêter la lame quand vous passez sur une surface gravillonnée.
- ◆ N'utilisez jamais la tondeuse sans que le bac de récupération d'herbe, le cache de l'ouverture d'évacuation, la protection arrière et les autres dispositifs de sécurité soient en place et en bon état de fonctionnement. Vérifiez régulièrement tous les carters de protection et de tous les dispositifs de sécurité pour contrôler qu'ils fonctionnent correctement et qu'ils remplissent bien leurs fonctions. Si un carter de protection ou un autre dispositif de sécurité est endommagé, remplacez-le avant de continuer.
 - ◆ Ne laissez jamais une tondeuse tourner sans surveillance. Retirez toujours la clé de sécurité si la tondeuse doit rester sans surveillance.
 - ◆ Relâchez toujours l'arceau pour arrêter le moteur. Attendez que la lame soit complètement arrêtée et retirez la clé de sécurité, avant de nettoyer la tondeuse, de retirer le récupérateur d'herbe, de désobstruer le déflecteur, lorsque vous quittez la tondeuse et avant toute opération de réglage, de réparation ou d'inspection.
 - ◆ N'utilisez la tondeuse que de jour ou avec un bon éclairage artificiel. Les objets sur le chemin de la lame doivent être parfaitement visibles depuis la zone où la tondeuse est utilisée.
 - ◆ Ne faites pas fonctionner la tondeuse

si vous êtes sous l'influence d'alcool ou de drogues ou si vous êtes fatigué ou malade. Restez toujours vigilant, restez concentré sur ce que vous faites et gardez votre bon sens.

- ◆ Évitez les environnements dangereux. N'utilisez jamais la tondeuse si l'herbe est humide ou mouillée ou sous la pluie. Gardez toujours une bonne posture, marchez, ne courez jamais.
- ◆ Si la tondeuse se met à vibrer de façon anormale, relâchez l'arceau, attendez que la lame s'arrête et retirez la clé de sécurité, puis recherchez immédiatement d'où vient le problème. Les vibrations sont généralement signes de problèmes, consultez le guide de dépannage pour obtenir des conseils en cas de vibrations anormales.
- ◆ Portez toujours des protections oculaires et respiratoires adaptées lorsque vous utilisez la tondeuse.
- ◆ L'utilisation d'accessoires non recommandés pour cette tondeuse peut être dangereuse. N'utilisez que des accessoires homologués par BLACK+DECKER.
- ◆ Ne vous penchez jamais lorsque vous utilisez la tondeuse. Gardez en permanence une posture stable et équilibrée lorsque vous utilisez la tondeuse.
- ◆ Ne travaillez jamais de haut en bas. Prenez toutes les précautions nécessaires quand vous changez de direction en pente.
- ◆ Faites attention aux trous, bosses,

pierres ou autres objets cachés.

Un terrain irrégulier peut provoquer des risques de glissement et de chute. L'herbe haute peut cacher des obstacles.

- ◆ Ne tondez pas sur l'herbe mouillée ou sur des pentes excessivement raides. Une mauvaise posture peut provoquer des risques de glissement et de chute.
- ◆ Ne tondez pas à côté de fossés ou de talus. Vous pourriez perdre l'équilibre.
- ◆ Laissez toujours la tondeuse refroidir avant de la ranger.

Risques résiduels.

Certains risques résiduels autres que ceux mentionnés dans les avertissements sur la sécurité peuvent survenir en utilisant l'outil. Ces risques peuvent être dus à une utilisation incorrecte, une utilisation prolongée, etc. Malgré le respect de toutes les réglementations pertinentes sur la sécurité et la mise en œuvre de dispositifs de sécurité, certains risques résiduels ne peuvent pas être évités. Ils comprennent :

- ◆ Les blessures dues au contact avec des pièces mobiles/en rotation.
- ◆ Les blessures dues au changement de pièces, de lames ou d'accessoires.
- ◆ Les blessures dues à l'utilisation prolongée d'un outil. Lorsque vous utilisez un outil quel qu'il soit pendant de longues périodes, veillez à faire des pauses régulières.
- ◆ Les troubles de l'ouïe.
- ◆ Les risques pour la santé dus à

l'inhalation des poussières émises pendant l'utilisation de l'outil (exemple : travail avec du bois, surtout le chêne, le hêtre et les panneaux en MDF).



Puissance sonore garantie conforme à la Directive 2000/14/CE.

Symboles d'avertissement

Les symboles d'avertissement qui suivent figurent sur l'appareil avec le code date :



Avertissement ! Lisez la notice avant l'utilisation.



N'exposez l'appareil ni à la pluie, ni à l'humidité.



Faites attention aux lames tranchantes. Retirez toujours la clé de sécurité avant de nettoyer la tondeuse, de retirer le sac de récupération d'herbe, de désobstruer le cache de l'ouverture d'évacuation, lorsque vous quittez la tondeuse ou avant toute opération de réglage, de réparation ou d'inspection.



Attention aux projections d'objets. Éloignez quiconque de la zone de coupe.



Portez une protection oculaire



Les lames continuent à tourner après l'arrêt de la machine.

Consignes de sécurité supplémentaires propres aux batteries et aux chargeurs

Batteries

- ◆ Ne tentez de les ouvrir sous aucun prétexte.
- ◆ N'exposez pas la batterie à l'eau.
- ◆ N'exposez pas la batterie à la chaleur.
- ◆ Ne rangez pas la batterie dans des endroits où la température peut dépasser 40 °C.
- ◆ Ne rechargez la batterie qu'à une température ambiante comprise entre 10 °C et 40 °C.
- ◆ Ne procédez à la charge qu'avec le chargeur fourni avec l'appareil/outil. L'utilisation d'un chargeur mal adapté peut entraîner une décharge électrique ou à la surchauffe de la batterie.
- ◆ Au moment de jeter les batteries, respectez les instructions mentionnées dans la section "Protection de l'environnement".
- ◆ Ne déformez/n'endommagez pas le bloc-batterie en le perçant ou en le cognant, cela pourrait sinon entraîner des blessures et un incendie.
- ◆ Ne rechargez pas des batteries endommagées.
- ◆ Dans des conditions extrêmes, la batterie peut fuir. Si vous détectez une fuite, utilisez un chiffon pour essuyer

le liquide avec précaution. Évitez tout contact avec la peau.

- ◆ En cas de contact avec la peau ou les yeux, respectez les consignes mentionnées ci-dessous.

Avertissement ! Le liquide de la batterie peut provoquer des blessures ou des dégâts matériels. En cas de contact avec la peau, rincez immédiatement à l'eau. Si des rougeurs, une douleur ou une irritation se produisent, consultez un médecin. En cas de contact avec les yeux, rincez immédiatement à l'eau et consultez un médecin.



N'essayez pas de recharger des batteries endommagées.

Chargeurs

Votre chargeur a été conçu pour une tension spécifique.

Vérifiez toujours que la tension du secteur correspond à celle indiquée sur la plaque signalétique.

Avertissement ! N'essayez jamais de remplacer le module de charge par une prise de courant ordinaire.

- ◆ N'utilisez votre chargeur BLACK+DECKER que pour recharger la batterie de l'appareil/outil avec lequel elle a été fournie. Les autres batteries pourraient exploser et entraîner des blessures et des dommages.
- ◆ Ne tentez jamais de recharger des piles non rechargeables.
- ◆ Si le câble d'alimentation est endommagé, il doit être remplacé par le fabricant ou dans un centre

d'assistance BLACK+DECKER agréé afin d'éviter tout accident.

- ◆ N'exposez pas le chargeur à l'eau.
- ◆ N'ouvrez pas le chargeur.
- ◆ Ne sondez pas le chargeur.
- ◆ Pendant la charge, l'appareil/l'outil/la batterie doivent être placés dans un endroit bien aéré.



Le chargeur est conçu pour être exclusivement utilisé à l'intérieur.



Lisez la notice d'utilisation avant d'utiliser l'outil.

Sécurité électrique



Votre chargeur dispose d'une double isolation, aucune liaison à la terre n'est donc nécessaire. Vérifiez toujours que la tension du réseau électrique correspond à la tension mentionnée sur la plaque signalétique. N'essayez jamais de remplacer le module de charge par une prise de courant ordinaire.

Caractéristiques

Cet appareil présente tout ou partie des caractéristiques suivantes.

1. Clé de sécurité
2. Arceau
3. Bouton de verrouillage
4. Poignée
5. Clips de retenue du câble
6. Poignée supérieure
7. Fixation de la poignée supérieure à ouverture rapide
8. Indicateur de remplissage du bac de récupération d'herbe
9. Bac de récupération de l'herbe
10. Poignée inférieure

11. Fixation de la poignée inférieure à ouverture rapide
12. Trappe arrière à ressort
13. Poignée de réglage de la hauteur
14. Couvercle de la batterie
15. Dispositif d'ouverture du couvercle de la batterie
16. Poignée

Assemblage

Avertissement ! Avant l'assemblage, assurez-vous que l'outil est éteint et que la clé de sécurité ainsi que la batterie sont retirées.

Installer le bac de récupération d'herbe (fig. A - C)

Il est nécessaire d'assembler le bac de récupération d'herbe avant de pouvoir l'utiliser. Il est composé de 3 pièces.

- ◆ Clipsez les 2 côtés du bac de récupération (9) ensemble (Fig. A). Veillez à ce que tous les clips et tous les guides soient correctement alignés.
- ◆ Alignez le couvercle (17) sur le bac de récupération préassemblé. Veillez à bien aligner les guides et les clips.

Remarque : Soyez particulièrement prudent en alignant les clips à l'arrière du bac de récupération d'herbe.

- ◆ Appuyez sur le couvercle pour fixer tous les clips. Commencez par l'avant et avancez vers l'arrière. Assurez-vous que tous les clips sont parfaitement en place.

Installation la poignée inférieure (Fig. D & E)

- ◆ Retirez les attaches rapides de la poignée inférieure (11) de la base de la tondeuse.
- ◆ Positionnez la poignée inférieure (10) autour de la base, en veillant à orienter les trois encoches (18) sur poignée inférieure (10) vers le haut.
- ◆ Vissez les attaches rapides de la poignée inférieure (11) à travers la poignée inférieure dans la base de la tondeuse. Une fois les attaches rapides de la poignée inférieure vissées à mi-course, fermez-les (Fig. E) et assurez-vous que les dents de la poignée s'emboîtent bien dans celles de la base. Si l'assemblage de la poignée avec les attaches rapides est trop ou trop peu serré, réglez la profondeur des attaches rapides et refermez-les jusqu'à ce que les dents soient parfaitement fermées.

Installer la poignée supérieure (Fig. F & G)

- ◆ Installez la poignée supérieure (6) sur la poignée inférieure (10) en utilisant les attaches rapides de la poignée supérieure (7) et les écrous de fixation (19) comme illustré.
- ◆ Vissez les attaches rapides de la poignée supérieure (7) à travers la poignée inférieure dans les écrous de fixation (20). Après avoir vissé les attaches rapides de la poignée supérieure à mi-course, fermez-les (Fig. G). Si l'assemblage de la poignée avec les attaches rapides est trop ou trop peu serré, réglez la profondeur des

attaches rapides et refermez-les jusqu'à ce que les dents soient parfaitement fermées.

Régler la hauteur de la poignée (Fig. H)

- ◆ Ouvrez les attaches rapides de la poignée inférieure comme illustré.
- ◆ Levez ou abaissez la poignée sur l'une des 3 positions marquées à côté des attaches rapides de la poignée inférieure.
- ◆ Refermez les attaches rapides de la poignée inférieure (11) et assurez-vous que les dents de la poignée s'emboîtent bien dans celles de la base. Si l'assemblage de la poignée avec les attaches rapides est trop ou trop peu serré, réglez la profondeur des attaches rapides et refermez-les jusqu'à ce que les dents soient parfaitement fermées.

Fixer le câble du moteur

Le câble du moteur doit être fixé à l'aide de la retenue de câble.

- ◆ Fixez le câble sur la poignée supérieure et la poignée inférieure en le clipsant dans les clips de retenue (5).

Installer le bac de récupération de l'herbe (Fig. I & J)

- ◆ Soulevez la trappe pour le bac de récupération (12) et installez le bac de récupération (9) sur les ergots (20).

Régler la hauteur des roues (Fig. K & L)

Votre tondeuse BLACK+DECKER est équipée d'un système facilitant le réglage de la hauteur. Ce système permet de régler les quatre roues en même temps.

La tondeuse propose six positions de réglage de hauteur de la lame (de 30 mm à 80 mm). Reportez-vous à l'échelle graduée sur le côté de la tondeuse. Le curseur indique la position de réglage de la hauteur pour tondre votre pelouse.

Ce réglage peut servir de référence pour tondre à la même hauteur la prochaine fois.

- ◆ Relâchez l'arceau (2) pour éteindre la tondeuse et attendez que la lame soit arrêtée puis retirez la clé de sécurité (1).
- ◆ Pour augmenter ou réduire la hauteur de tonte, placez la paume de votre main sur le repose-main (21) et tirez le levier de réglage de la hauteur (13) en l'éloignant du corps de la tondeuse.
- ◆ Déplacez le levier de réglage de la hauteur (13) sur la position voulue puis rabattez-le vers le corps de la tondeuse.

Remarque : Veillez à ce que la tondeuse soit bien verrouillée sur l'une des six positions proposées.

Retirer et installer la batterie (Fig. O)

Avant de retirer la batterie :

- ◆ Placez la tondeuse sur un sol de niveau.
- ◆ Relâchez l'arceau (2) pour éteindre la tondeuse, attendez que la lame se soit arrêtée et retirez la clé de sécurité (1).

Pour retirer la batterie:

- ◆ Tirez le dispositif d'ouverture du couvercle de la batterie (15) vers l'avant de corps de la tondeuse et soulevez le couvercle de la batterie (14).
- ◆ Tirez la batterie (22) vers le haut, hors de la tondeuse.

Pour installer la batterie

- ◆ Tirez le dispositif d'ouverture du couvercle de la batterie (15) vers l'avant de corps de la tondeuse et soulevez le couvercle de la batterie (14).
- ◆ Glissez la batterie (22) dans la tondeuse. (La batterie ne peut être installée que dans un sens.)

Utiliser la machine

Avertissement ! Laissez l'équipement fonctionner à son propre rythme.

Ne le poussez pas au-delà de sa capacité.

Recharger la batterie (Fig. M)

La batterie doit être rechargée avant la première utilisation et chaque fois qu'elle n'apporte plus assez de puissance pour les travaux réalisés sans peine auparavant. La batterie peut devenir chaude pendant la charge. Ce phénomène est normal et n'indique pas un problème.

Avertissement ! Ne rechargez pas la batterie à une température ambiante inférieure à 10 °C ou supérieure à 40 °C. La température recommandée est d'environ 24 °C.

Remarque : Le chargeur ne recharge pas la batterie si la température de la cellule est inférieure à environ 0 °C ou supérieure à 40 °C.

La batterie doit rester dans le chargeur et le chargeur commence automatiquement la charge dès que la température de la cellule remonte ou redescend.

- ◆ Pour recharger la batterie (22), insérez-la dans le chargeur (23). La batterie ne peut être insérée dans le chargeur que d'un sens. Ne forcez pas. Veillez à ce que la batterie soit correctement installée dans le chargeur.
- ◆ Branchez le chargeur au secteur.

Le témoin de charge (24) clignote vert en continu (lentement). La charge est terminée quand le témoin de charge (24) reste allumé vert en fixe. La batterie peut rester dans le chargeur indéfiniment avec la LED allumée. Le voyant se met à clignoter en vert (charge) si le chargeur détecte qu'il faut compléter la charge de la batterie. Le témoin de charge (24) reste allumé tant que la batterie est raccordée au chargeur branché.

- ◆ Veillez à recharger les batteries dans un délai d'une semaine. La durée de vie de la batterie peut être considérablement diminuée si elle est stockée déchargée.

Laisser la batterie dans le chargeur

Le chargeur et le bloc-batterie peuvent rester raccordés avec le voyant allumé en continu. Le chargeur maintient le bloc-batterie complètement chargé.

Diagnostics du chargeur

Si le chargeur détecte que la batterie est faible ou endommagée, le témoin de charge (24) clignote rapidement rouge.

Procédez comme suit :

- ◆ Réinsérez la batterie (22).
- ◆ Si le témoin de charge clignote toujours rapidement en rouge, utilisez une autre batterie pour vérifier si la procédure de charge fonctionne correctement.
- ◆ Si la nouvelle batterie se recharge correctement, cela indique que la batterie d'origine est défectueuse et qu'elle doit être renvoyée dans un centre d'assistance pour y être recyclée.
- ◆ Si la nouvelle batterie réagit de la même manière que la batterie d'origine, cela indique que le chargeur doit être testé dans un centre d'assistance agréé.

Remarque : La détection de la défaillance de la batterie peut prendre jusqu'à 30 minutes.

Si la batterie est trop chaude ou trop froide, la LED clignote rouge, une fois rapidement puis une fois lentement.

Témoin du niveau de charge (figure N)

La batterie est équipée d'un témoin de niveau de charge. Il permet d'afficher le niveau de charge restant de la batterie pendant l'utilisation et pendant la charge.

- ◆ Appuyez sur le bouton du témoin de charge (25).

Clé de sécurité (figure P)

Retirez la clé de sécurité :

- ◆ Quand la machine reste sans surveillance.
- ◆ Avant de dégrager les éléments qui bloquent la machine.
- ◆ Avant de vérifier, nettoyer ou réparer la machine.
- ◆ Après avoir heurté un corps étranger.
- ◆ Quand la machine commence à vibrer anormalement.

Mise en marche et arrêt (figure P & Q)

Avertissement ! Lame tranchante en mouvement. Utilisez toujours la procédure de mise en marche/arrêt appropriée avec l'interrupteur et la clé de sécurité pour éviter de graves blessures.

Mettre la tondeuse en marche

- ◆ Insérez à fond la clé de sécurité (1) dans son logement.

- ◆ Enfoncez le bouton de déverrouillage (3) qui se trouve en haut de l'interrupteur.
- ◆ Poussez l'arceau (2) vers la poignée (4).

Éteindre la tondeuse

- ◆ Pour éteindre la tondeuse, relâchez l'arceau (2). Quand l'arceau (2) est ramené à sa position d'origine, il active le mécanisme de freinage automatique. Le moteur est freiné de façon électrique et la lame de la tondeuse cesse de tourner en moins de trois secondes.

Indicateur de remplissage du bac de récupération d'herbe (Fig. R)

La tondeuse est équipée d'un dispositif qui vous permet de facilement savoir quand le bac de récupération est plein et qu'il doit être vidé.

- ◆ Lorsque la tondeuse tourne et que le bac de récupération est vide, l'indicateur est en position ouverte (26).
- ◆ Lorsque la tondeuse tourne et que le bac de récupération est plein, l'indicateur est en position fermée (27).

Conseils pour une utilisation optimale

- ◆ Les pelouses doivent d'abord être tondues au printemps quand l'herbe mesure environ entre 63 mm à 76 mm. Tondre trop tôt dans la saison peut impacter le système racinaire de l'herbe qui se régénère à chaque printemps. La nouvelle herbe doit être tondue lorsqu'elle atteint 63 mm environ.
- ◆ Ne tondez pas trop d'herbe à la fois, jamais plus de 1/3 de la hauteur à chaque tonte. Les tontes trop rapprochées impactent l'enracinement de l'herbe qui a ensuite du mal à atteindre l'eau dans le sol.
- ◆ Tondez votre pelouse quand il fait sec pour éviter l'accumulation d'herbe humide. Si vous avez le choix, le meilleur moment pour tondre est la fin d'après-midi, non seulement parce que l'herbe est sèche, mais aussi parce que la zone tondue ne sera pas en plein soleil.
- ◆ Pour que la tonte soit propre veillez à garder la lame bien affûtée. Cela permet d'améliorer les performances de la tondeuse tout comme l'aspect de votre pelouse. Une lame émoussée se contente d'arracher l'herbe. Cela empêche la pousse d'une herbe saine et augmente le risque de maladie. Si le haut de l'herbe est arraché, elle brunit et donne un mauvais aspect à votre pelouse. Une lame émoussée peut aussi soulever les jeunes plants d'herbe.
- ◆ Essayez de garder toujours la même hauteur de coupe. Même si la hauteur de tonte doit parfois être adaptée aux changements de saisons, une hauteur constante permet d'obtenir une pelouse plus saine et plus jolie avec moins de mauvaises herbes. Tondez plus souvent pendant les périodes de pousse rapide. Les tontes plus fréquentes permettent de masquer les parcelles de pelouse moins belles.

- ◆ Si votre pelouse a trop poussé, pendant vos vacances par exemple, tondez à une hauteur de une à deux positions supérieures à la normale. Une seconde passe à la hauteur normale quelques jours après permettra de reprendre le rythme de coupe normal.

Régler la hauteur de tonte de façon simple à l'aide du système de réglage de la hauteur des roues One Touch de BLACK+DECKER qui permet de régler les quatre roues en même temps.

- ◆ En automne et au printemps, ou après une période d'interruption de la tonte, l'herbe est plus longue et plus drue. Si le moteur ralentit en permanence pendant la tonte, réglez les roues plus tondre moins court. La sur-sollicitation du moteur peut entraîner des irrégularités dans la tonte, le déchargement plus rapide de la batterie et la surcharge du moteur qui l'oblige à s'arrêter.
- ◆ Il existe trois moyens d'améliorer l'apparence de votre : Changez fréquemment de sens. Tondez les pentes à l'horizontale (pour plus de sécurité également) et n'oubliez pas de chevaucher les largeurs tondues.

Conseils pour tondre

Remarque : Vérifiez toujours la zone où la tondeuse sera utilisée et retirez toutes les pierres, tous les bâtons, fils de fer, os et autres débris qui risqueraient d'être projetés par la lame en mouvement.

- ◆ Ne tondez jamais face à une pente, jamais de haut en bas. Prenez toutes les précautions nécessaires quand vous changez de direction en pente. Ne tondez pas sur des pentes trop raides. Veillez à toujours garder une posture stable.
 - ◆ Relâchez l'arceau (2) pour arrêter la tondeuse quand vous traversez une zone gravillonnée (des cailloux peuvent être projetés par la lame).
 - ◆ Réglez la tondeuse à la plus haute hauteur de tonte si la surface est accidentée ou que l'herbe est haute. Tondre une trop grande quantité d'herbe à la fois peut surcharger le moteur et entraîner l'arrêt de la tondeuse. Consultez le guide de dépannage. Si le bac de récupération d'herbe (9) est utilisé pendant la saison de pousse rapide de l'herbe, l'herbe peut avoir tendance à s'accumuler au niveau de l'ouverture d'éjection.
 - ◆ Relâchez l'arceau (2) pour éteindre la tondeuse et retirez la clé de sécurité (1).
 - ◆ Retirez le sac de récupération d'herbe (9) et faites tomber l'herbe dans le fond du sac.
 - ◆ Nettoyez l'herbe ou les débris accumulés autour de l'ouverture.
 - ◆ Réinstallez le bac de récupération (9).
- Si la tondeuse se met à vibrer anormalement :
- ◆ Relâchez immédiatement l'arceau (2) pour éteindre la tondeuse puis retirez la clé de sécurité (1) et le bloc-batterie (22).

- ◆ Recherchez la cause des vibrations. Les vibrations servent d'avertissement. Ne réutilisez pas la tondeuse avant de l'avoir inspectée. Consultez le guide de dépannage dans la notice.

Remarque : Veillez à toujours relâcher l'arceau pour éteindre la tondeuse et à retirer la clé de sécurité si vous devez laisser la tondeuse sans surveillance même pour un court instant. Les suggestions suivantes vous aideront à obtenir une autonomie optimale avec votre tondeuse sans fil :

- ◆ Ralentissez dans les zones où l'herbe est très longue ou épaisse.
- ◆ Évitez de tondre quand l'herbe est humide.
- ◆ Coupez votre pelouse fréquemment, surtout pendant les périodes de pousse.

Maintenance

Votre appareil/outil sans fil/avec fil BLACK+DECKER a été conçu pour fonctionner longtemps avec un minimum d'entretien. Le fonctionnement continu et satisfaisant de l'appareil/outil dépend de son bon entretien et de son nettoyage régulier.

Votre chargeur ne nécessite aucun entretien particulier, à l'exception d'un nettoyage régulier.

Avertissement ! Avant de procéder à la maintenance des outils électriques avec ou sans fil :

- ◆ Éteignez et débranchez l'appareil/outil.
- ◆ Ou déchargez complètement la batterie si elle est intégrée, puis éteignez la machine.
- ◆ Débranchez le chargeur avant de le nettoyer. Votre chargeur ne nécessite aucun entretien particulier, à l'exception d'un nettoyage régulier.
- ◆ Nettoyez régulièrement les orifices d'aération de votre appareil/outil et du chargeur à l'aide d'une brosse souple ou d'un chiffon sec.
- ◆ Nettoyez régulièrement le bloc-moteur à l'aide d'un chiffon humide. N'utilisez pas de détergents abrasifs ou à base de solvants.
- ◆ Utilisez régulièrement un racloir pour retirer l'herbe et les saletés sous le carter de protection.

Retrait et installation de la lame (figures S, T & U)

Avertissement ! Ne touchez pas la lame avant d'avoir retiré la clé de sécurité et que les lames soient complètement arrêtées.

- ◆ Relâchez l'arceau (2) pour éteindre la tondeuse, attendez que la lame se soit arrêtée et retirez la clé de sécurité (1).
- ◆ Découpez un morceau de bois (50 mm x 100 mm x 600 mm environ) à utiliser pour empêcher la lame de tourner pendant le retrait de l'écrou à embase (29).
- ◆ Posez la tondeuse sur son côté.

Avertissement ! Veillez à toujours porter des gants et des lunettes de protection. Faites attention aux bords tranchants de la lame.

- ◆ Positionnez le morceau de bois (28) et retirez l'écrou à embase (29) à l'aide d'une clé de 13 mm (Fig. S).
- ◆ Retirez la rondelle (30), la lame (31), le guide-lame carré (32) et le ventilateur (33) (Fig. T). Vérifiez l'absence de dommages sur le guide-lame (32) et le ventilateur (33) et remplacez-les si nécessaire.

En installant la lame, veillez à ce que la côté Herbe de la lame (indiqué par des flèches aux deux extrémités) pointe vers le sol une fois la tondeuse redressée en position normale.

- ◆ Installez le ventilateur (33). Veillez à positionner les pales du ventilateur (34) pour qu'elles pointent vers l'intérieur de la tondeuse.
- ◆ Installez le guide-lame (32). Veillez à positionner les chevilles en forme de "D" (35) de sorte qu'elles pointent vers l'extérieur, à l'opposé de la tondeuse.
- ◆ Veillez à bien aligner les plats du ventilateur (33) et le guide-lame (32) avec les plats de l'arbre.
- ◆ Installez la lame (31) sur le guide-lame (32), la flèche pointant vers l'extérieur.
- ◆ Positionnez le morceau de bois (28) pour empêcher la lame (31) de tourner (Fig. U).
- ◆ Installez la rondelle (30) et l'écrou à embase (29) et serrez à l'aide d'une clé de 13mm.

Affûter la lame (Fig. V)

Pour des performances optimales, maintenez la lame bien affûtée. Une lame émoussée ne coupe pas et ne "mulche" pas l'herbe correctement.

Avertissement ! Veillez toujours à avoir bien retiré la clé de sécurité.

Avertissement ! Veillez à toujours porter des lunettes de protection pour retirer, affûter et installer une lame. Dans des conditions normales, l'affûtage de la lame deux fois au cours de la saison suffit. Le sable émousse la lame rapidement. Si le sol est sablonneux, un affûtage plus fréquent peut s'avérer nécessaire.

- ◆ Remplacez immédiatement les lames tordues ou endommagées.

Lorsque vous affûtez la lame :

- ◆ Veillez à ce que la lame reste bien équilibrée.
- ◆ Affûtez la lame en respectant son angle de coupe d'origine.
- ◆ Affûtez les tranchants des deux côtés de la lame, en retirant la même quantité de matière des deux côtés.

Pour affûter une lame dans un étou (Fig. V)

- ◆ Relâchez l'arceau (2) pour éteindre la tondeuse et attendez que la lame se soit complètement arrêtée.
- ◆ Retirez la clé de sécurité (1) et le bloc-batterie (22), puis retournez la tondeuse sur le côté.
- ◆ Retirez la lame (31) de la tondeuse, consultez les instructions pour retirer et installer les lames.

Avertissement ! Portez des lunettes de protection et des gants et faites attention aux bords tranchants de la lame.

- ◆ Placez la lame (31) dans un étai.
- ◆ Limez soigneusement les tranchants de la lame avec une lime à dents fines ou une pierre à aiguiser, en gardant l'angle de coupe d'origine.
- ◆ Vérifiez l'équilibrage de la lame, consultez les instructions pour l'équilibrage de la lame.
- ◆ Retirez la lame (31) de la tondeuse et serrez-la fermement, consultez les instructions pour retirer et installer les lames.

Équilibrage de la lame (Fig. W)

- ◆ Contrôlez l'équilibrage de la lame en plaçant le trou central de la lame sur un clou ou un tournevis rond, fixé à l'horizontale dans un étai. Si l'une des extrémités de la lame tourne vers le bas, limez cette extrémité jusqu'à ce que la lame soit équilibrée.

Lubrification

Aucune lubrification n'est nécessaire. Ne graissez pas les roues. Les surfaces de roulement des roues sont en plastique, il n'est donc pas nécessaire de les graisser.

Nettoyage

- ◆ Relâchez l'arceau (2) pour éteindre la tondeuse et attendez que la lame se soit complètement arrêtée.
- ◆ Retirez la clé de sécurité (1).
- ◆ N'utilisez que du savon doux et un chiffon humide pour nettoyer la tondeuse.
- ◆ Utilisez un outil non tranchant pour nettoyer les débris accumulés sous la tondeuse.
- ◆ Après plusieurs utilisations, vérifiez que toutes les fixations apparentes sont bien serrées.

Éviter la corrosion

Les engrais et les autres produits chimiques pour jardin contiennent des éléments qui accélèrent grandement la corrosion des métaux. Si vous tondez dans des zones où des engrais ou des produits chimiques ont été utilisés, la tondeuse doit immédiatement être nettoyée comme suit après l'utilisation :

- ◆ Relâchez l'arceau (2) pour éteindre la tondeuse et attendez que la lame se soit complètement arrêtée.
- ◆ Retirez la clé de sécurité (1).
- ◆ Essuyez toutes les pièces apparentes avec un chiffon humide.

Transport et rangement

Avertissement ! La lame en mouvement peut provoquer de graves blessures.

Relâchez l'arceau pour éteindre la tondeuse et retirez la clé de sécurité avant de soulever, de transporter ou de ranger la

tondeuse. Rangez la tondeuse dans un endroit sec.

Remarque : La tondeuse sera moins lourde à transporter si vous retirez d'abord le bloc-batterie. N'utilisez pas l'attache comme point de levage de la tondeuse.

Rangement

Dans les zones climatiques chaudes, il est recommandé de maintenir la batterie pleinement rechargée afin de maintenir ses performances.

La batterie peut être rangée avec le chargeur débranché dans les conditions suivantes.

- ◆ La batterie est complètement chargée avant le rangement.
- ◆ La température de stockage moyenne est inférieure à 10°C (50°F).

Dépannage

Si votre appareil semble ne pas fonctionner correctement, suivez les instructions ci-dessous. Si le problème persiste, veuillez contacter votre réparateur local BLACK+DECKER.

Avertissement ! Avant toute opération, relâchez l'arceau pour éteindre la tondeuse, attendez que la lame se soit arrêtée et retirez et retirez la clé de sécurité.

Problème	Solution possible
La machine ne fonctionne pas.	Contrôlez que la clé de sécurité a bien été installée en place et que le bouton de déverrouillage a été complètement enfoncé avant de déplacer l'arceau.
	Relâchez l'arceau pour arrêter la tondeuse. Retirez la clé de sécurité et le bloc-batterie, retournez la tondeuse et vérifiez que la lame tourne librement.
	Contrôlez que la cavité de la batterie est exempte de débris et que la batterie est correctement installée en place.
Le moteur s'arrête pendant le sciage.	La batterie est-elle complètement rechargée ? Branchez le chargeur et attendez que le voyant vert s'allume
	Relâchez l'arceau pour arrêter la tondeuse. Retirez la clé de sécurité et le bloc-batterie. Retournez la tondeuse et vérifiez que la lame tourne librement.
	Rehaussez la hauteur de coupe des roues à la position la plus haute et démarrez la tondeuse.
	Vérifiez qu'il n'y a aucun débris dans les cavités de la batterie et que cette dernière est correctement branchée.
	La batterie est-elle complètement rechargée ? Appuyez sur le bouton de niveau de charge.
	Évitez de sursolliciter la tondeuse. Ralentissez la cadence de tonte ou augmentez la hauteur de coupe.

Problème	Solution possible
La machine déchiquète l'herbe et le moteur peine	La batterie est-elle complètement rechargée ? Appuyez sur le bouton de niveau de charge.
	Relâchez l'arceau pour arrêter la tondeuse. Retirez la clé de sécurité et le bloc-batterie. Retournez la tondeuse et vérifiez : <ul style="list-style-type: none"> ◆ L'affûtage de la lame. Veillez à conserver la lame bien affûtée. ◆ Que le plateau de coupe et la descente d'éjection ne sont pas obstrués.
	Il se peut que le réglage de la hauteur des roues soit trop bas par rapport à l'état de l'herbe. Augmentez la hauteur de coupe.
La tondeuse est difficile à pousser.	Relâchez l'arceau pour arrêter la tondeuse. Retirez la clé de sécurité et le bloc-batterie. Augmentez la hauteur de coupe pour réduire le frottement du plateau de coupe sur l'herbe. Contrôlez que toutes les roues tournent librement
La tondeuse est trop bruyante et elle vibre.	Relâchez l'arceau pour arrêter la tondeuse. Retirez la clé de sécurité et le bloc-batterie. Penchez la tondeuse sur le côté et vérifiez la lame pour vous assurer qu'elle n'est pas endommagée ou tordue. Si la lame est endommagée, remplacez-la par une lame de rechange BLACK+DECKER. Si le dessous du plateau de coupe est endommagé, confiez la tondeuse à un centre de réparation agréé BLACK+DECKER.
	S'il n'y a pas de dommage visible sur la lame et que la tondeuse vibre toujours : <ul style="list-style-type: none"> ◆ Relâchez l'arceau pour arrêter la tondeuse. ◆ Retirez la clé de sécurité et le bloc-batterie. ◆ Démontez entièrement la lame de la façon décrite dans la section "Retirer et installer la lame". ◆ Retirez les débris et nettoyez chacune des pièces. ◆ Réinstallez chacune des pièces de la façon décrite dans la section "Retirer et installer la lame".
	Si la tondeuse vibre toujours, confiez-la à un centre de réparation agréé BLACK+DECKER.
La tondeuse ne récupère pas les résidus de tonte dans le sac.	La descente est bouchée. Relâchez l'arceau pour arrêter la tondeuse. Retirez la clé de sécurité et le bloc-batterie. Éliminez l'herbe accumulée dans la descente d'évacuation.
	Augmentez la hauteur de coupe des roues afin de diminuer la longueur des chutes.
	Le sac est plein. Videz le sac plus fréquemment.

déchetteries municipales ou chez le détaillant lorsque vous achetez un produit neuf. Black & Decker offre une solution permettant de recycler les produits Black & Decker lorsqu'ils ont atteint la fin de leur cycle de vie. Pour profiter de ce service, rapportez votre produit à un réparateur agréé qui le récupérera en notre nom. Pour connaître l'adresse du réparateur agréé le plus proche, contactez l'agence Black & Decker à l'adresse indiquée dans ce manuel. Une liste des réparateurs agréés Black & Decker ainsi que des informations détaillées sur notre service après-vente et nos coordonnées sont aussi disponibles sur le site Internet : www.2helpU.com

À la fin de leur durée de vie, jetez les batteries usagées en respectant l'environnement :

- ◆ Déchargez complètement la batterie, puis retirez-la de l'outil.
- ◆ Les batteries NiCd, NiMH et Li-Ion sont recyclables. Placez la ou les batteries dans un emballage adapté pour éviter le court-circuitage des bornes. Déposez-les chez un réparateur agréé ou dans un centre de recyclage local.
- ◆ Ne court-circuitiez pas les bornes des piles.
- ◆ Ne jetez pas la ou les batteries dans le feu, elles pourraient exploser ou être à l'origine d'un risque de blessure.

Caractéristiques techniques

CLM3820		
Tension d'entrée	V _{cc}	36V
Régime à vide	min ⁻¹	3500
Poids	kg	16,2
Batterie		BL2036
Tension	V _{cc}	36V
Capacité	Ah	2
Type		Li-Ion
Chargeur		LCS36 type 1
Tension d'entrée	V _{ca}	230V
Tension de sortie	V _{cc}	36V
Courant	A	1300
Durée de charge approx.	h	1,0-2,0

Valeur de vibration pondérée au niveau de la main/du bras :
= < 2,5 m/s² , incertitude (K) = 1,5 m/s².

L_w (pression sonore) 80 dB(A)
Incertitude (K) = 3 dB(A)

Superficie pouvant être tondu :

- ◆ Cette tondeuse peut tondre jusqu'à 300m² avec un bloc-batterie 2Ah.
- ◆ Cette surface (300m²) est atteinte avec un bloc-batterie, complètement rechargé, dans des conditions parfaitement

Protection de l'environnement



Tri sélectif. Les produits et piles/batteries marqués de ce symbole ne doivent pas être jetés avec les déchets ménagers.

Si votre appareil/outil Black & Decker doit être remplacé ou si vous ne l'utilisez plus, ne le jetez pas avec les ordures ménagères. Faites en sorte que ce produit bénéficie du tri sélectif.

Le tri sélectif des produits et des emballages usagés permet de recycler et de réutiliser les matières.

La réutilisation de matières recyclées aide à protéger l'environnement contre la pollution et à réduire la demande en matière première.

La réglementation locale peut proposer le tri sélectif des produits électriques domestiques, par leur dépose dans des

sèches et avec le levier de réglage de la hauteur sur la position 6, en période de pousse faible.

- ◆ Dans des conditions humides, avec un réglage de la hauteur plus bas ou en période de forte croissance, la superficie pouvant être tondue peut être inférieure à 300m².

Déclaration de conformité CE
DIRECTIVES MACHINES
DIRECTIVE RELATIVE AUX NUISANCES SONORES
EXTÉRIEURES



CLM3820 Tondeuse à gazon

Black & Decker déclare que les produits décrits dans les "Caractéristiques techniques" sont en conformité avec :

2006/42/CE, EN 60335-1:2012/A13:2017;

EN 60335-2-77:2010; EN 62233:2008

2000/14/CE, Tondeuse à gazon, L < 50 cm, Annexe VI,

TÜV SÜD Industrie Service GmbH

Westendstraße 199, 80686 München

Pays : Allemagne

Numéro d'identification de l'organisme : 0036

LWA (puissance sonore mesurée) 92 dB(A),

Incertitude (K) = 2,25 dB(A),

L_{WA} (puissance sonore garantie) 96 dB(A).

Ces produits sont également conformes aux Directives 2014/30/UE et 2011/65/UE. Pour plus de précisions, veuillez contacter Black & Decker à l'adresse qui suit ou consulter le dos de la présente notice.

Le soussigné est responsable de la compilation du dossier technique il fait cette déclaration au nom de Black & Decker.

Patrick Diepenbach

Patrick Diepenbach

Directeur général, Benelux

Black and Decker,

Egide Walschaertsstraat 14-18

2800 Mechelen, Belgique

16/03/2022

Garantie

Black & Decker est sûr de la qualité de ses produits et offre une garantie de 24 mois à ses clients, à partir de la date d'achat. Cette garantie s'ajoute à vos droits légaux auxquels elle ne porte aucunement préjudice. Cette garantie est valable au sein des territoires des états membres de l'Union européenne et au sein de la zone européenne de libre-échange.

Pour prétendre à la garantie, la réclamation doit être conforme aux conditions générales de Black & Decker et vous devez fournir une preuve d'achat au vendeur ou au réparateur agréé. Les conditions générales de la garantie de 2 ans Black&Decker ainsi que l'adresse du réparateur agréé le plus proche sont disponibles sur le site Internet www.2helpU.com ou en contactant votre agence Black & Decker locale à l'adresse indiquée dans ce manuel.

Veuillez consulter notre site Internet www.blackanddecker.co.uk pour enregistrer votre nouveau produit Black & Decker et pour être tenu informé des nouveaux produits et offres spéciales.

Uso previsto

Il tosaerba CLM3820 BLACK+DECKER è stato progettato per tagliare l'erba. Questo elettroutensile è destinato esclusivamente all'uso privato.

Istruzioni di sicurezza

Avvertenza! Quando si usano elettroutensili senza filo, osservare sempre le normali precauzioni di sicurezza per ridurre il rischio di incendio, scosse elettriche, lesioni personali e danni materiali.

Avvertenza! Osservare le norme di sicurezza quando si usa l'elettroutensile. Per l'incolumità dell'utilizzatore e degli eventuali presenti, leggere queste istruzioni prima di utilizzare l'elettroutensile.

Conservare le istruzioni in un luogo sicuro per riferimenti futuri.

- ◆ Questo prodotto non è destinato per l'uso da parte di persone (compresi i bambini) con capacità fisiche, sensoriali o mentali ridotte, o prive di esperienza e conoscenza, a meno che siano sorvegliate o abbiano ottenuto istruzioni riguardo all'uso dell'apparecchio da parte di una persona responsabile della loro sicurezza.
- ◆ I bambini devono essere sorvegliati per assicurarsi che non giochino con l'elettroutensile.
- ◆ Per prevenire pericoli, i cavi di alimentazione danneggiati devono essere sostituiti dal produttore o da un centro di assistenza BLACK+DECKER autorizzato.

- ◆ Leggere attentamente tutto il contenuto di questo manuale prima di usare l'apparecchio.
- ◆ L'uso previsto è descritto in questo manuale. Se questo utensile viene utilizzato con accessori o dotazioni o per impieghi diversi da quelli consigliati in questo manuale, si potrebbero verificare lesioni a persone.
- ◆ Conservare questo manuale per riferimenti futuri.

Uso dell'apparecchio

Prestare sempre attenzione quando si usa l'apparecchio.

- ◆ Questo apparecchio non è concepito per l'uso da parte di bambini o persone inferme senza adeguata supervisione.
- ◆ Questo apparecchio non deve essere usato come un giocattolo.
- ◆ Impedire a bambini o ad animali di avvicinarsi all'area di lavoro o di toccare l'elettroutensile o il filo di alimentazione.
- ◆ Prestare la massima attenzione quando si usa l'elettroutensile vicino ai bambini.
- ◆ Usare esclusivamente in un luogo asciutto. Evitare che l'apparecchio si bagni.
- ◆ Non immergere l'elettroutensile in acqua.
- ◆ Non aprire il corpo dell'apparecchio. Al suo interno non sono presenti parti riparabili dall'utilizzatore.
- ◆ Evitare di impiegare questo apparecchio in ambienti esposti al rischio di esplosione, ad esempio

in presenza di liquidi, gas o polveri infiammabili.

- ◆ Per ridurre il rischio di danni a spine o fili, non tirare mai il filo per scollegare la spina da una presa.

Dopo l'uso

- ◆ Quando non viene usato, l'elettrotensile deve essere conservato in un luogo asciutto e ben ventilato, fuori dalla portata dei bambini.
- ◆ Non riporre l'apparecchio in un luogo accessibile ai bambini.
- ◆ Se viene conservato o trasportato a bordo di un veicolo, l'apparecchio deve essere riposto nel bagagliaio o immobilizzato per evitare che si sposti in caso di cambiamento repentino della velocità o della direzione di marcia.

Ispezione e riparazioni

- ◆ Prima dell'uso verificare che l'apparecchio non presenti parti danneggiate o difettose. Controllare che non vi siano componenti rotti, interruttori danneggiati o altre condizioni che potrebbero incidere sul suo funzionamento.
- ◆ Non usare l'apparecchio se alcune parti sono danneggiate o difettose.
- ◆ Fare riparare o sostituire le parti danneggiate o difettose da un tecnico autorizzato.
- ◆ Non tentare di smontare o sostituire alcuna parte, ad eccezione di quelle specificate in questo manuale.

- ◆ Prestare attenzione durante la regolazione del tosaerba per impedire lo schiacciamento delle dita tra le lame/parti in movimento e le parti fisse del tosaerba.
- ◆ Quando si esegue la manutenzione delle lame, tenere presente che, anche se l'alimentazione elettrica è scollegata, le lame potrebbero comunque ruotare.

Precauzioni di sicurezza aggiuntive per i rasaerba

- ◆ Durante l'uso del tosaerba afferrare saldamente il manico con entrambe le mani.
- ◆ Se in qualsiasi momento dovesse essere necessario inclinare il tosaerba, tenere entrambe le mani nella posizione di lavoro mentre lo si inclina. Tenere entrambe le mani nella posizione di lavoro fino a quando il tosaerba è di nuovo appoggiato correttamente a terra.
- ◆ Non indossare auricolari di radio o altri dispositivi per la riproduzione di musica quando si usa il tosaerba.
- ◆ Non tentare mai di regolare l'altezza delle ruote con il motore acceso o quando la chiave di sicurezza si trova nella sede dell'interruttore.
- ◆ Se il tosaerba si ferma, rilasciare la barra di sicurezza per spegnerlo, attendere che la lama si fermi e sfilare la chiave di sicurezza prima di tentare di sbloccare il condotto o di rimuovere qualsiasi oggetto da sotto la scocca.

- ◆ Tenere mani e piedi lontani dalla zona di taglio.
- ◆ Mantenere le lame affilate. Indossare sempre guanti di protezione quando si maneggia la lama del tosaerba.
- ◆ Se si usa il cesto raccogliherba, controllare di frequente che non sia usurato o danneggiato. Se è molto usurato, sostituirlo con uno nuovo per la propria sicurezza.
- ◆ Prestare la massima attenzione quando si procede in retromarcia o quando si tira il tosaerba verso sé stessi.
- ◆ Non mettere mani o piedi vicino o sotto al tosaerba. Tenersi sempre lontani dall'apertura dello scarico.
- ◆ Eliminare dalla zona dove deve essere usato il tosaerba corpi estranei, quali sassi, pezzi di legno, fili di ferro, giocattoli, ossa, ecc., che potrebbero essere lanciati dalla lama. Eventuali oggetti colpiti dalla lama potrebbero causare lesioni gravi alle persone. Tenersi dietro al manico quando il motore è acceso.
- ◆ Non usare il tosaerba a piedi scalzi o se si indossano sandali. Indossare sempre calzature robuste.
- ◆ Non tirare all'indietro il tosaerba, salvo nel caso in cui sia assolutamente necessario. Guardare sempre in basso e dietro di sé quando si cammina all'indietro.
- ◆ Non puntare mai il materiale scaricato verso gli astanti. Evitare di scaricare il materiale contro un muro o un ostacolo. Il materiale potrebbe rimbalzare verso l'operatore. Rilasciare la barra di sicurezza per spegnere il rasaerba e fermare la lama quando si attraversano superfici ghiaiate.
- ◆ Non far funzionare il tosaerba se il cesto raccogliherba, la protezione dello scarico, quella posteriore o gli altri dispositivi protettivi di sicurezza non sono montati e non funzionano correttamente. Controllare periodicamente tutte le protezioni e i dispositivi di sicurezza per accertarsi che siano in buone condizioni e che funzionino correttamente, svolgendo la funzione per la quale sono stati progettati. Sostituire le protezioni o gli altri dispositivi di sicurezza danneggiati prima di continuare a usare il rasaerba.
- ◆ Non lasciare mai incustodito un tosaerba acceso. Sfilare sempre la chiave di sicurezza se il tosaerba deve essere lasciato incustodito.
- ◆ Rilasciare sempre la barra di sicurezza per spegnere il motore, attendere che la lama si fermi completamente e sfilare la chiave di sicurezza prima di pulire il tosaerba, di staccare il sacco raccogliherba, di sbloccare la protezione dello scarico, quando si lascia il tosaerba incustodito o prima di eseguire qualsiasi regolazione, riparazione o ispezione.
- ◆ Usare il tosaerba solo alla luce del sole o in condizioni di buona illuminazione artificiale, in modo che sia possibile vedere chiaramente dalla posizione di guida eventuali oggetti

presenti lungo il percorso della lama.

- ◆ Non utilizzare il tosaerba se ci si trova sotto l'effetto di alcol o stupefacenti oppure se si è stanchi o ammalati. Rimanere sempre vigili, prestare attenzione alle proprie azioni e usare il buon senso.
- ◆ Evitare ambienti pericolosi. Non usare mai il tosaerba quando l'erba è umida o bagnata e sotto la pioggia. Mantenere sempre un buon equilibrio e procedere camminando, senza mai correre.
- ◆ Se il tosaerba comincia a vibrare in modo anomalo, rilasciare la barra di sicurezza, attendere che la lama si arresti, sfilare la chiave di sicurezza e verificare immediatamente a cosa è dovuta la vibrazione. Di solito una vibrazione è indice di un problema. Se si dovesse avvertire una vibrazione insolita, consultare la Guida alla risoluzione dei problemi.
- ◆ Indossare sempre occhiali e una mascherina di protezione idonei quando si usa il tosaerba.
- ◆ L'uso di accessori non raccomandati per l'impiego con questo tosaerba potrebbe essere pericoloso. Utilizzare esclusivamente accessori approvati da BLACK+DECKER.
- ◆ Non piegarsi mai eccessivamente in avanti quando si usa il tosaerba. Mantenere sempre un appoggio e un equilibrio adeguati.
- ◆ Su di un pendio tagliare l'erba trasversalmente e mai procedendo verticalmente in su e in giù. Prestare la

massima attenzione quando si cambia direzione su un pendio.

- ◆ Fare attenzione a buche, solchi, sassi o ad altri oggetti nascosti. Su un terreno irregolare è facile scivolare o cadere. L'erba alta può nascondere ostacoli.
- ◆ Non tagliare l'erba quando è bagnata o lungo pendii molto ripidi. La perdita dell'equilibrio può far scivolare o cadere.
- ◆ Non tagliare l'erba vicino a pendii ripidi, fossati o terrapieni, dove è facile perdere l'equilibrio.
- ◆ Lasciare che il tosaerba si raffreddi prima di metterlo via.

Rischi residui.

L'utilizzo dell'elettrotensile può comportare rischi residui non necessariamente riportati nelle presenti avvertenze di sicurezza. Tali rischi possono sorgere a seguito di un uso prolungato o improprio, ecc. Malgrado il rispetto delle norme di sicurezza pertinenti e l'implementazione di dispositivi di sicurezza, alcuni rischi residui non possono essere evitati. Tali rischi includono:

- ◆ lesioni personali causate dal contatto con parti rotanti/in movimento;
- ◆ lesioni personali subite durante la sostituzione di parti, lame o accessori;
- ◆ lesioni personali causate dall'impiego prolungato di un elettrotensile (quando si utilizza qualsiasi elettrotensile per lunghi periodi,

accertarsi di fare regolarmente delle pause).

- ◆ menomazioni uditive.
- ◆ rischi per la salute causati dall'inalazione della polvere generata dall'utilizzo dell'apparecchio (ad esempio, quando si lavora con il legno, in modo particolare quello di quercia, faggio o l'MDF).



Le lame continuano a girare dopo lo spegnimento del rasaerba.



Potenza sonora garantita ai sensi della Direttiva 2000/14/CE.

Simboli di avvertenza

Sull'elettrotensile sono presenti i seguenti simboli, insieme al codice data:



Avvertenza! Prima dell'uso leggere il manuale.



Non esporre l'apparecchio alla pioggia o a un'umidità intensa.



Prestare attenzione alle lame taglienti.
Sfilare sempre la chiave di sicurezza prima di pulire il tosaerba, di staccare il sacco raccogliherba, di sbloccare la protezione dello scarico, quando si lascia il tosaerba incustodito o prima di eseguire qualsiasi regolazione, riparazione o ispezione.



Prestare attenzione agli oggetti scagliati in aria. Mantenere le persone eventualmente presenti a distanza dalla zona di taglio.



Utilizzare protezioni oculari

Istruzioni di sicurezza aggiuntive per batterie e caricabatterie

Batterie

- ◆ Non tentare mai di aprire la batteria per alcun motivo.
- ◆ Non lasciare che le batterie si bagnino.
- ◆ Non esporre la batteria al calore.
- ◆ Non riporre in luoghi dove la temperatura potrebbe superare 40 °C.
- ◆ Caricare la batteria solo a temperature ambiente tra 10 °C e 40 °C.
- ◆ Caricare le batterie solo usando il caricabatterie fornito con l'elettrotensile. L'uso del caricabatterie sbagliato potrebbe causare scosse elettriche o il surriscaldamento della batteria.
- ◆ Per lo smaltimento delle batterie, seguire le istruzioni fornite alla sezione "Protezione dell'ambiente".
- ◆ Non danneggiare/deformare il pacco batteria forandolo o colpendolo, per evitare il rischio di lesioni personali o di incendio.
- ◆ Non caricare le batterie danneggiate.
- ◆ In condizioni estreme, si potrebbe verificare la perdita di liquido dalle

batterie. Se si nota la presenza di liquido sulle batterie, pulirle con attenzione con uno straccio. Evitare il contatto con la pelle.

- ◆ In caso di contatto con la pelle o gli occhi, seguire le istruzioni riportate di seguito.

Avvertenza! Il liquido delle batterie può causare lesioni a persone o danni materiali. In caso di contatto con la pelle, risciacquare immediatamente con acqua. In caso di arrossamento, dolore o irritazione, rivolgersi immediatamente a un medico. In caso di contatto con gli occhi, risciacquarli immediatamente con acqua pulita e consultare un medico.



Non tentare di caricare batterie danneggiate.

Caricabatterie

Il caricabatterie è stato progettato per una tensione specifica.

Controllare sempre che la tensione di rete corrisponda a quella indicata sulla targhetta dei dati tecnici.

Avvertenza! Non tentare mai di sostituire il caricabatterie con una spina elettrica tradizionale.

- ◆ Usare il caricabatterie BLACK+DECKER solo per caricare la batteria dell'apparecchio/elettrotensile con il quale è stato fornito. Tipi diversi di batterie potrebbero scoppiare, provocando lesioni personali e danni materiali.
- ◆ Non tentare mai di caricare batterie non ricaricabili.
- ◆ In caso di danneggiamento del

cavo di alimentazione, farlo riparare dal produttore o presso un Centro di assistenza BLACK+DECKER autorizzato, in modo da evitare pericoli.

- ◆ Non lasciare che il caricabatterie si bagni.
- ◆ Non aprire il caricabatterie.
- ◆ Non collegare il caricabatterie a sonde.
- ◆ L'apparecchio/elettrotensile/la batteria devono essere lasciati in una zona ben ventilata durante la carica.



Il caricabatterie è destinato esclusivamente all'uso in ambienti interni.



Leggere questo manuale d'istruzioni prima dell'uso.

Sicurezza elettrica



Il doppio isolamento di cui è provvisto il caricabatterie rende superfluo il filo di terra. Verificare sempre che la tensione di rete corrisponda a quella indicata sulla targhetta dei valori nominali. Non tentare mai di sostituire il caricabatterie con una spina elettrica tradizionale.

Caratteristiche

Questo apparecchio presenta alcune o tutte le seguenti caratteristiche.

1. Chiave di sicurezza
2. Barra di sicurezza
3. Dispositivo di sblocco pulsante di sicurezza
4. Barra manico
5. Fermi fissacavo

6. Sezione superiore del manico
7. Morsetto a rilascio rapido per manico superiore
8. Indicatore cesto raccoglierba pieno
9. Cesto raccoglierba
10. Manico inferiore
11. Morsetto a rilascio rapido per manico inferiore
12. Sportello posteriore a molla
13. Manico regolabile in altezza
14. Coperchio della batteria
15. Sblocco del coperchio della batteria
16. Impugnatura

Assemblaggio

Avvertenza! Prima di assemblarlo, assicurarsi che l'elettrotensile sia spento e che la chiave di sicurezza e la batteria siano state rimosse.

Assemblaggio del cesto raccoglierba (figg. A - C)

Il cesto raccoglierba deve essere assemblato prima dell'impiego ed è composto da 3 pezzi.

- ◆ Agganciare l'uno sull'altro i due lati del cesto raccoglierba (9) (fig. A). Verificare che tutti i fermi e le guide siano allineati.
- ◆ Allineare il coperchio (17) sul cesto raccoglierba assemblato. Verificare che le guide e i fermi siano allineati.

Nota: Prestare la massima attenzione quando si allineano i fermi sulla parte posteriore del cesto raccoglierba.

- ◆ Premere il coperchio per fissare tutti i fermi. Iniziare dalla parte anteriore e continuare verso quella posteriore. Verificare che tutti i fermi siano innestati in modo ben saldo.

Montaggio del manico inferiore (fig. D ed E)

- ◆ Rimuovere i morsetti a rilascio rapido del manico inferiore (11) dalla base del tosaerba.
- ◆ Appoggiare il manico inferiore (10) attorno alla base, verificando che le tre tacche (18) sul manico inferiore (10) siano rivolte verso l'alto.
- ◆ Avvitare i morsetti a rilascio rapido del manico inferiore (11) attraverso il manico inferiore e nella base del tosaerba. Dopo averli avvitati a metà, chiudere i morsetti a rilascio rapido del manico inferiore (fig. E) e verificare che i denti nel manico e sulla base si ingranino. Se il collegamento tra il manico e i morsetti a rilascio rapido è troppo stretto o troppo lento, regolare la profondità dei morsetti stessi e chiuderli di nuovo fino a quando i denti si innestano completamente.

Montaggio del manico superiore (figg. F e G)

- ◆ Montare la parte superiore del manico (6) su quella inferiore (10) usando i morsetti a rilascio rapido (7) e i dadi dei morsetti (19) come illustrato.

- ◆ Avvitare i morsetti a rilascio rapido del manico superiore (7) attraverso il manico inferiore e nei dadi dei morsetti (20). Dopo averli avvitati a metà, chiudere i morsetti a rilascio rapido del manico superiore (fig. G).
Se il collegamento tra il manico e i morsetti a rilascio rapido è troppo stretto o troppo lento, regolare la profondità dei morsetti stessi e chiuderli di nuovo fino a quando i denti si innestano completamente.

Regolazione dell'altezza del manico (fig. H)

- ◆ Aprire il morsetto a rilascio rapido del manico inferiore come illustrato.
- ◆ Sollevare o abbassare il manico in una delle 3 posizioni segnate di fianco ai morsetti a rilascio rapido del manico inferiore.
- ◆ Chiudere i morsetti a rilascio rapido del manico inferiore (11) e verificare che i denti del manico e della base si ingranino.
Se il collegamento tra il manico e i morsetti a rilascio rapido è troppo stretto o troppo lento, regolare la profondità dei morsetti stessi e chiuderli di nuovo fino a quando i denti si innestano completamente.

Fissaggio del cavo del motore

Il cavo del motore deve essere fissato per mezzo del fissacavo.

- ◆ Fissare il cavo sul manico superiore e su quello inferiore agganciandolo nei fermi fissacavo (5).

Montaggio del cesto raccoglierba (figg. I e J)

- ◆ Sollevare il deflettore trasparente (12) e appoggiare il cesto raccoglierba (9) sopra le linguette (20).

Regolazione dell'altezza delle ruote (figg. K e L)

Il tosaerba è dotato di sistema di regolazione dell'altezza delle ruote "Easy-Height" di BLACK+DECKER che consente di regolare contemporaneamente le quattro ruote.

Il tosaerba ha sei posizioni di regolazione dell'altezza della lama (da 30 mm a 80 mm). Consultare la scala sul lato del tosaerba. L'indice indica la regolazione dell'altezza per il taglio del prato.

Questa regolazione funge da punto di riferimento per la volta successiva se si desidera tagliare il prato alla medesima altezza.

- ◆ Rilasciare la barra di sicurezza (2) per spegnere il tosaerba, attendere fino a quando la lama si ferma e sfilare la chiave di sicurezza (1).
- ◆ Per alzare o abbassare l'altezza di taglio, appoggiare il palmo della mano sull'appoggio (21) e allontanare la leva di regolazione dell'altezza (13) dal corpo del tosaerba.
- ◆ Spostare la leva di regolazione dell'altezza (13) nella posizione richiesta e quindi spingerla indietro verso il corpo del tosaerba.

Nota: accertarsi che il tosaerba sia saldamente bloccato in una delle sei posizioni.

Rimozione e montaggio della batteria (fig. O)

Prima dello smontaggio della batteria:

- ◆ Mettere il tosaerba in piano.
- ◆ Rilasciare la barra di sicurezza (2) per spegnere il tosaerba, attendere fino a quando la lama si ferma e sfilare la chiave di sicurezza (1).

Rimozione della batteria:

- ◆ Tirare il dispositivo di sblocco del coperchio della batteria (15) verso la parte anteriore del corpo del tosaerba e sollevare il coperchio della batteria (14).
- ◆ Estrarre la batteria (22) dal tosaerba.

Montaggio della batteria

- ◆ Tirare il dispositivo di sblocco del coperchio della batteria (15) verso la parte anteriore del corpo del tosaerba e sollevare il coperchio della batteria (14).
- ◆ Inserire la batteria (22) nel tosaerba. (La batteria può essere inserita in un unico verso.)

Uso

Avvertenza! Lasciare che l'elettrotensile funzioni al suo ritmo.

Non sovraccaricarlo.

Ricarica della batteria (fig. M)

La batteria deve essere caricata prima dell'impiego iniziale e quando non eroga una potenza sufficiente per svolgere lavori che prima era possibile eseguire facilmente. Durante la carica, la batteria potrebbe riscaldarsi. Si tratta di un fatto normale che non indica la presenza di un problema.

Avvertenza! Non caricare la batteria a temperature ambientali inferiori a 10 °C o superiori a 40 °C. La temperatura di carica raccomandata è di circa 24 °C.

Nota: il caricabatterie non carica una batteria se la temperatura delle celle è inferiore a 0 °C o superiore a 40 °C circa.

La batteria deve essere lasciata nel caricabatterie, che comincerà a caricarla automaticamente quando la temperatura delle celle aumenta o diminuisce.

- ◆ Per caricare la batteria (22), inserirla nel caricabatterie (23). La batteria può essere inserita nel caricabatterie solo in un verso. Non forzare. Accertarsi che la batteria sia completamente inserita nel caricabatterie.
- ◆ Collegare l'alimentatore alla presa di corrente.

L'indicatore di carica (24) passa al lampeggio verde continuo (lentamente).

La carica è completa quando l'indicatore di carica (24) smette di lampeggiare e rimane illuminato di verde fisso. Il

caricabatterie e la batteria possono essere lasciati collegati per un tempo indefinito con il LED acceso. Il LED passa al lampeggio verde (carica in corso) quando il caricabatterie di tanto in tanto rabocca la carica della batteria. L'indicatore di carica (24) si accende se il pacco batteria è inserito nel caricabatterie collegato a una presa elettrica.

- ◆ Caricare le batterie scariche entro 1 settimana. La durata della batteria si riduce parecchio se viene conservata scarica.

Batteria lasciata nel caricabatterie

Il caricabatterie e il pacco batteria possono essere lasciati collegati alla rete elettrica con il LED sempre acceso. Il caricabatterie manterrà il pacco batteria come nuovo e completamente carico.

Diagnostica del caricabatterie

Se il caricabatterie rileva che il pacco batteria non è abbastanza carico o danneggiato, l'indicatore di carica in corso (24) si illumina di rosso e inizia a lampeggiare rapidamente.

Procedere come descritto di seguito:

- ◆ Inserire di nuovo la batteria (22).
- ◆ Se gli indicatori di carica continuano a lampeggiare di rosso a un ritmo veloce, usare una batteria diversa per stabilire se il ciclo di carica funziona correttamente.
- ◆ Se la seconda batteria si carica correttamente, significa che quella originale è difettosa e deve essere rispedita a un centro di assistenza per essere riciclata.
- ◆ Se anche con la nuova batteria si ottengono i medesimi risultati dati da quella vecchia, portare l'alimentatore presso un centro di assistenza autorizzato per essere sottoposto a controllo.

Nota: per stabilire se la batteria è difettosa possono essere necessari anche 30 minuti.

Se la batteria è troppo calda o troppo fredda, il LED lampeggia di rosso alternativamente a un ritmo veloce e lento, con un lampeggio veloce e uno lento ripetuti nel tempo.

Indicatore dello stato di carica (fig. N)

La batteria è dotata di un indicatore dello stato di carica che può essere usato per indicare il livello attuale di carica della batteria durante l'impiego e la ricarica.

- ◆ Premere il pulsante dell'indicatore dello stato di carica (25).

Chiave di sicurezza (fig. P)

Sfilare la chiave di sicurezza:

- ◆ Quando si lascia l'elettrotensile incustodito.
- ◆ Prima di eliminare un'ostruzione.
- ◆ prima di controllare, pulire o eseguire la manutenzione dell'elettrotensile.
- ◆ Dopo aver colpito un oggetto estraneo.

- ◆ Ogni volta che l'elettrotensile inizia a vibrare in modo anomalo.

Accensione e spegnimento (figg. P e Q)

Avvertenza! Lama mobile e affilata. Non tentare mai di escludere il funzionamento di questo interruttore e del sistema con chiave di sicurezza dato che si potrebbero subire e causare lesioni gravi.

Accensione

- ◆ Inserire completamente la chiave di sicurezza (1) nell'alloggiamento dell'interruttore.
- ◆ Premere il dispositivo di sblocco del pulsante di sicurezza (3) sulla parte superiore sul lato dell'alloggiamento dell'interruttore.
- ◆ Tirare la barra di sicurezza della lama (2) verso la barra del manico (4).

Spegnimento

- ◆ Per spegnere il tosaerba, rilasciare la barra di sicurezza della lama (2).

La barra di sicurezza (2) attiva il meccanismo di frenatura automatica quando torna nella posizione originale. Il motore è frenato elettricamente e la lama del tosaerba smette di ruotare in 3 secondi o meno.

Indicatore cesto raccoglierba pieno (fig. R)

Il tosaerba dispone di dispositivo che consente di vedere facilmente quando il cesto raccoglierba è pieno e deve essere svuotato.

- ◆ Quando il tosaerba è acceso e il cesto raccoglierba è vuoto, l'indicatore si troverà in posizione aperta (26).
- ◆ Quando il tosaerba è acceso e il cesto raccoglierba è pieno, l'indicatore si troverà in posizione chiusa (27).

Consigli per un utilizzo ottimale

- ◆ I prati devono essere tagliati in primavera quando l'erba è alta da 63 mm a 76 mm circa. Se l'erba viene tagliata troppo presto agli inizi della stagione, si possono disturbare i sistemi delle radici dell'erba che si rinnovano ogni primavera. L'erba nuova deve essere tagliata quando è alta 63 mm circa.
- ◆ Non tagliare l'erba troppo bassa alla prima passata, mai più di 1/3 dell'altezza del filo d'erba durante ciascun taglio. Un taglio troppo basso fa soffrire i fili d'erba sensibili e come risultato si ha un sistema delle radici poco profondo che rende più difficoltosa la ricerca di acqua nel terreno da parte del prato.
- ◆ Tagliare l'erba quando è asciutta per evitare il formarsi di cumuli di erba bagnata. Se del tutto possibile, il pomeriggio inoltrato è il momento ideale per tagliare l'erba, non solo perché l'erba è asciutta, ma anche perché la zona di prato appena tagliata, che è molto sensibile,

non è esposta alla luce intensa del sole.

- ◆ Tenere ben affilata la lama per avere un bel taglio netto. In questo modo si migliorano le prestazioni del tosaerba e anche l'aspetto estetico del prato. La lama non affilata spezza e ammacca le punte dell'erba. In questo modo si rende difficile la crescita sana del prato e si aumenta la suscettibilità del tappeto erboso alle malattie. L'ammaccatura delle punte dell'erba risulta in un color bruno che conferisce al prato un aspetto poco sano. Una lama spuntata potrebbe anche strappare dal terreno l'erba giovane.
- ◆ Cercare di tagliare l'erba a un'altezza di taglio regolare. Anche se a volte è necessario variare l'altezza di taglio in base alle stagioni, un'altezza di taglio regolare produce un manto erboso più sano e più bello con di solito un numero minore di erbacce. Tagliare l'erba più frequentemente durante i periodi di crescita rapida. Il taglio frequente consente di non far vedere la parte inferiore e meno attraente dell'erba.
- ◆ Se l'erba del prato è cresciuta troppo, ad esempio durante un periodo di assenza durante una vacanza, regolare l'altezza di taglio a una o due posizioni più in alto. Una seconda passata all'altezza di taglio solita alcuni giorni dopo ripristinerà l'aspetto estetico del prato. La modifica dell'altezza di taglio è semplice grazie alla regolazione dell'altezza delle ruote "One-Touch" di BLACK+ DECKER, che consente di regolare simultaneamente tutte e quattro le ruote.
- ◆ In primavera e in autunno, o dopo un'interruzione del programma di taglio, l'erba sarà più lunga e più folta. Se il motore continua a rallentare durante il taglio, cercare di regolare le ruote per un'altezza di taglio più alta. Un carico eccessivo sul motore può causare un taglio irregolare, può far scaricare più rapidamente la batteria e può sovraccaricare il motore fino a spegnerlo.
- ◆ Ci sono tre ottimi modi per migliorare l'aspetto del prato: Variare frequentemente la direzione di taglio; tagliare orizzontalmente lungo i fianchi delle colline (e questa è anche una buona prassi di sicurezza) e non dimenticare di eseguire il taglio in modo tale che il passaggio del tosaerba si sovrapponga di un po' a quello precedente.

Consigli per il taglio dell'erba

Nota: Ispezionare sempre la zona dove il tosaerba deve essere usato ed eliminare pietre, bastoncini, fili di ferro, ossa e ogni altro detrito che potrebbe essere lanciato dalla lama rotante.

- ◆ Sui pendii, tagliare l'erba trasversalmente e mai procedendo verticalmente in su e in giù. Prestare la massima attenzione quando si cambia direzione su un pendio. Non tagliare l'erba su pendii molto ripidi. Mantenersi sempre in equilibrio.
- ◆ Rilasciare la barra di sicurezza (2) per spegnere il

tosaerba quando si attraversano zone coperte di ghiaia, dato che la lama rotante potrebbe lanciare il pietrisco.

- ◆ Regolare il tosaerba sull'altezza di taglio più alta quando si falcia su terreni secchi o con erbacce alte. Se si taglia l'erba molto alta in una sola passata, si può sovraccaricare il motore che quindi arresta il tosaerba. Consultare la guida della Ricerca guasti. Se nella stagione di crescita rapida dell'erba si usa il cesto raccogliherba (9), l'erba potrebbe intasare l'apertura di scarico.
- ◆ Rilasciare la barra di sicurezza (2) per spegnere il tosaerba e sfilare la chiave di sicurezza (1).
- ◆ Togliere il cesto raccogliherba (9) e scrollare lo sfalcio verso la parte posteriore del sacco.
- ◆ Pulire via sfalcio e detriti che possono essersi accumulati attorno all'apertura di scarico.
- ◆ Rimontare il cesto raccogliherba (9).

Se il tosaerba comincia a vibrare in modo anomalo:

- ◆ Rilasciare la barra di sicurezza (2) immediatamente per spegnere il tosaerba ed estrarre la chiave di sicurezza (1) e il battery pack (22).
- ◆ Indagare la causa delle vibrazioni. Le vibrazioni sono un avvertimento. Non far funzionare il tosaerba fino a quando non è stato eseguito un controllo di assistenza. Consultare la guida della Ricerca guasti nel manuale.

Nota: Rilasciare sempre la barra di sicurezza per spegnere il tosaerba e sfilare la chiave di sicurezza quando lo si lascia incustodito anche per un breve periodo di tempo.

I suggerimenti riportati di seguito serviranno a ottenere il massimo tempo di funzionamento del tosaerba cordless:

- ◆ Rallentare in zone dove l'erba è particolarmente lunga o folla.
- ◆ Evitare di tagliare l'erba quando è bagnata.
- ◆ Tagliare l'erba frequentemente, in modo particolare durante i periodi di crescita rapida.

Manutenzione

Questo apparecchio/elettrotensile BLACK+DECKER, con o senza cavo, è stato progettato per funzionare a lungo con una manutenzione minima. Per ottenere prestazioni sempre soddisfacenti occorre avere cura dell'elettrotensile e sottoporlo a pulizia periodica.

Il caricabatterie non richiede alcuna manutenzione, salvo una regolare pulizia.

Avvertenza! Prima di eseguire interventi di manutenzione su elettrotensili con o senza cavo procedere come descritto di seguito.

- ◆ Spegnerne e scollegare l'apparecchio/elettrotensile dalla presa di corrente.
- ◆ Oppure scaricare completamente la batteria, se integrata, quindi spegnerlo.
- ◆ Scollegare il caricabatterie dalla presa di corrente prima di pulirlo. Il caricabatterie non richiede alcuna manutenzione, salvo una regolare pulizia.

- ◆ Pulire regolarmente le prese di ventilazione dell'elettrotensile/apparecchio e del caricabatterie con un pennello morbido o con un panno asciutto.
- ◆ L'alloggiamento del motore deve essere pulito periodicamente con un panno umido. Non usare materiali abrasivi o detergenti a base di solventi.
- ◆ Usare regolarmente un raschietto non affilato per eliminare erba e sporizia dalla parte inferiore della protezione.

Smontaggio e montaggio della lama (figg. S, T e U)

Avvertenza! Non toccare la lama prima di aver sfilato la chiave di sicurezza e prima che le lame si siano fermate completamente.

- ◆ Rilasciare la barra di sicurezza (2) per spegnere il tosaerba, attendere fino a quando la lama si ferma e sfilare la chiave di sicurezza (1).
- ◆ Tagliare un pezzo di legno (50 mm x 100 mm x e lungo 600 mm circa) da usare per tenere ferma la lama mentre si svita il dado flangiato (29).
- ◆ Girare di lato il tosaerba.

Avvertenza! Indossare guanti e occhiali di protezione idonei. Fare attenzione al filo della lama.

- ◆ Posizionare il pezzo di legno (28) e svitare il dado flangiato (29) con una chiave da 13 mm (fig. S).
- ◆ Sfilare la rondella (30), la lama (31), la guida quadrata della lama (32) e la ventola (33) (fig. T). Esaminare la guida della lama (32) e la ventola (33) per vedere che non siano danneggiate e sostituirle se necessario.

Quando si monta la lama, accertarsi che il lato a contatto dell'erba (indicato da frecce da ambo i lati) sia rivolto verso il terreno quando il tosaerba è riportato nella normale posizione verticale.

- ◆ Montare la ventola (33). Accertarsi di posizionare le pale della ventola (34) in modo che siano rivolte verso il tosaerba.
- ◆ Montare la guida della lama (32). Accertarsi di posizionare le spine a forma di "D" (35) in modo che siano rivolte verso l'esterno, dalla parte opposta al tosaerba.
- ◆ Accertarsi di allineare le parti piatte sulla ventola (33) e la guida della lama (32) alle parti piatte dell'albero.
- ◆ Montare la lama (31) sulla relativa guida (32) con le frecce rivolte verso l'esterno.
- ◆ Posizionare il pezzo di legno (28) per impedire alla lama (31) di ruotare (fig. U).
- ◆ Infilare la rondella (30) e il dado flangiato (29) e serrare con una chiave da 13 mm.

Affilatura della lama (fig. V)

Mantenere affilata la lama per ottenere le migliori prestazioni. Una lama spuntata non taglia nettamente l'erba e non esegue correttamente il taglio mulching.

Avvertenza! Verificare sempre che la chiave di sicurezza sia stata sfilata.

Avvertenza! Indossare occhiali di protezione idonei quando si smonta, si affila e si rimonta una lama.

In circostanze normali, di solito è sufficiente affilare la lama due volte durante la stagione di taglio. La sabbia spunta rapidamente la lama. Se il prato tagliato ha un terreno sabbioso, può essere necessaria un'affilatura più frequente.

- ◆ Sostituire immediatamente le lame piegate o danneggiate.

Durante l'affilatura della lama:

- ◆ Verificare che la lama rimanga bilanciata.
- ◆ Affilare la lama in base all'angolo di taglio originale.
- ◆ Affilare i bordi di taglio su entrambe le estremità della lama, asportando quantitativi pari di materiale da entrambe le estremità.

Affilatura della lama in una morsa (fig. V)

- ◆ Rilasciare la barra di sicurezza (2) per spegnere il tosaerba e attendere fino a quando la lama si ferma completamente.
- ◆ Estrarre la chiave di sicurezza (1) e il battery pack (22) e girare di lato il tosaerba.
- ◆ Estrarre la lama (31) dal tosaerba; vedere le istruzioni per lo smontaggio e il montaggio delle lame.

Avvertenza! Indossare occhiali di protezione e guanti idonei e prestare attenzione al filo della lama.

- ◆ Serrare la lama (31) in una morsa.
- ◆ Limare con attenzione il filo con una lima sottile o con una pietra per affilare, conservando il filo originale.
- ◆ Controllare il bilanciamento della lama; vedere le istruzioni per bilanciare la lama.
- ◆ Montare la lama (31) sul tosaerba e serrarla saldamente; vedere le istruzioni per lo smontaggio e il montaggio delle lame.

Bilanciamento della lama (Fig. W)

- ◆ Controllare il bilanciamento della lama infilando su un chiodo o su un cacciavite con gambo rotondo, serrati orizzontalmente in una morsa, il foro centrale della lama. Se una delle estremità ruota verso il basso, limare quell'estremità della lama fino a quando la lama è bilanciata.

Lubrificazione

La lubrificazione non è necessaria. Non lubrificare le ruote, dato che sono dotate di superfici portanti in plastica che non richiedono lubrificazione.

Pulizia

- ◆ Rilasciare la barra di sicurezza (2) per spegnere il tosaerba e attendere fino a quando la lama si ferma completamente.
- ◆ Sfilare la chiave di sicurezza (1).

- ◆ Per pulire il rasoerba, utilizzare solamente sapone neutro e un panno umido.
- ◆ Usare uno strumento non affilato per pulire via l'eventuale sfalcio che si è accumulato sulla parte inferiore della scocca del tosaerba.
- ◆ Dopo vari impieghi, controllare che tutti gli elementi di fissaggio in vista siano ben saldi.

Prevenzione della corrosione

I fertilizzanti e altri prodotti chimici usati in giardino contengono sostanze che velocizzano notevolmente la corrosione dei metalli. Se si taglia l'erba in zone dove sono stati usati fertilizzanti o prodotti chimici, il tosaerba deve essere pulito subito dopo l'impiego nel modo seguente:

- ◆ Rilasciare la barra di sicurezza (2) per spegnere il tosaerba e attendere fino a quando la lama si ferma completamente.
- ◆ Sfilare la chiave di sicurezza (1).
- ◆ strofinare tutte le parti esposte con un panno umido.

Trasporto e conservazione

Avvertenza! La lama rotante può causare lesioni gravi. Rilasciare la barra di sicurezza per spegnere il tosaerba e sfilare la chiave di sicurezza prima di sollevarlo. Stoccare in un luogo asciutto.

Nota: il tosaerba non sarà così pesante da sollevare se viene prima estratto il battery pack. Non usare la chiusura come punto di sollevamento del tosaerba.

Conservazione

Per garantire il funzionamento ottimale in climi caldi, si consiglia di mantenere la batteria costantemente sotto carica. La batteria può essere riposta con l'alimentatore scollegato nei seguenti casi:

- ◆ La batteria è completamente carica prima di riporre il tosaerba.
- ◆ La temperatura media del luogo in cui viene riposto è inferiore a 10°C.

Guida alla risoluzione dei problemi

Se l'apparecchio non dovesse funzionare correttamente, seguire le istruzioni riportate di seguito. Nel caso in cui non sia comunque possibile risolvere il problema, rivolgersi al tecnico BLACK+DECKER di zona.

Avvertenza! Prima di continuare, rilasciare la barra di sicurezza per spegnere il tosaerba, attendere fino a quando la lama si ferma e sfilare la chiave di sicurezza.

Problema	Possibile soluzione
Il tosaerba non funziona.	Controllare che la chiave di sicurezza sia stata inserita e che sia insediata a fondo e che il pulsante di sicurezza sia totalmente premuto prima di spostare la barra di sicurezza.
	Rilasciare la barra di sicurezza per spegnere il rasoerba. Rimuovere la chiave di sicurezza e il pacco batteria, capovolgere il rasoerba e controllare che la lama possa ruotare liberamente.
	Controllare che il vano della batteria sia privo di impurità e che la batteria sia montata correttamente.
	La batteria è stata ricaricata completamente? Collegare il caricabatterie alla presa di corrente e attendere che la spia verde si accenda.
Il motore si spegne durante la segatura.	Rilasciare la barra di sicurezza per spegnere il rasoerba. Estrarre la chiave di sicurezza e il pacco batteria. Capovolgere il rasoerba e controllare che la lama possa ruotare liberamente.
	Regolare l'altezza di taglio delle ruote sulla posizione più alta e avviare il rasoerba.
	Controllare che nella sede della batteria non siano presenti impurità e che la batteria sia collegata correttamente.
	La batteria è stata ricaricata completamente? Premere il pulsante dello stato di carica.
	Evitare di sovraccaricare il rasoerba. Rallentare la velocità di taglio oppure aumentare l'altezza di taglio.
Il tosaerba non taglia con cura l'erba oppure il motore fa fatica	La batteria è stata ricaricata completamente? Premere il pulsante dello stato di carica.
	Rilasciare la barra di sicurezza per spegnere il rasoerba. Estrarre la chiave di sicurezza e il pacco batteria. Capovolgere il rasoerba e controllare: <ul style="list-style-type: none"> ◆ L'affilatura della lama – mantenere ben affilata la lama. ◆ Che la scocca e il condotto di scarico non siano intasati.
	Le ruote possono essere state regolate a un'altezza troppo bassa per le condizioni dell'erba. Aumentare l'altezza di taglio.
Il rasoerba è troppo duro da spingere.	Rilasciare la barra di sicurezza per spegnere il rasoerba. Estrarre la chiave di sicurezza e il pacco batteria. Aumentare l'altezza di taglio per ridurre la resistenza della scocca sull'erba. Controllare che ogni ruota giri liberamente.

Problema	Possibile soluzione
Il rasoerba fa rumore e vibra in modo anomalo.	Rilasciare la barra di sicurezza per spegnere il rasoerba. Estrarre la chiave di sicurezza e il pacco batteria. Girare di lato il rasoerba e controllare la lama per verificare che non sia piegata o danneggiata. Se la lama è danneggiata, sostituirla con una di ricambio BLACK+DECKER. Se la parte inferiore della scocca è danneggiata, portare il rasoerba presso un centro assistenza BLACK+DECKER autorizzato.
	Se non vi sono danni visibili sulla lama e il rasoerba continua a vibrare: <ul style="list-style-type: none"> ◆ Rilasciare la barra di sicurezza per spegnere il rasoerba. ◆ Estrarre la chiave di sicurezza e il pacco batteria. ◆ Disassemblare l'intero gruppo lama, come descritto nella sezione "Rimozione e installazione della lama". ◆ Rimuovere gli eventuali detriti presenti e pulire tutti i pezzi. ◆ Sostituire ciascun pezzo, come descritto nella sezione "Rimozione e installazione della lama".
	Se il rasoerba continua a vibrare, portarlo presso un centro di assistenza BLACK+DECKER autorizzato.
Il rasoerba non raccoglie lo sfalcio nel sacco.	Condotto intasato. Rilasciare la barra di sicurezza per spegnere il rasoerba. Estrarre la chiave di sicurezza e il pacco batteria. Eliminare lo sfalcio dal condotto.
	Sollevarne l'altezza di taglio delle ruote per accorciare la lunghezza del taglio.
	Sacco pieno. Svuotare il sacco più frequentemente.

Tutela ambientale



Raccolta differenziata. I prodotti e le batterie contrassegnati con questo simbolo non devono essere smaltiti con i rifiuti domestici normali.

Nel caso in cui l'elettrotensile Black & Decker debba essere sostituito o non sia più necessario, non smaltirlo con i normali rifiuti domestici. Smaltirlo tramite la raccolta differenziata.

La raccolta differenziata dei prodotti e imballaggi usati permette il riciclo e il riutilizzo dei materiali.

Il riutilizzo dei materiali riciclati contribuisce a prevenire l'inquinamento ambientale e riduce la domanda di materiali grezzi.

Secondo le normative locali, la raccolta differenziata di prodotti elettrici può avvenire a domicilio, presso le sedi di raccolta comunali oppure presso il rivenditore al momento dell'acquisto di un nuovo prodotto.

Black & Decker offre ai propri clienti la possibilità di riciclare i prodotti Black & Decker che hanno esaurito la loro vita di servizio. Per usufruire di questo servizio restituire il prodotto a qualsiasi agente di riparazione autorizzato che lo ritirerà per vostro conto.

Per individuare il tecnico autorizzato più vicino, rivolgersi alla sede Black & Decker locale, presso il recapito indicato nel presente manuale. Altrimenti, un elenco completo di tutti i tecnici autorizzati BLACK+DECKER e i dettagli completi sui contatti e i servizi post-vendita sono disponibili su Internet all'indirizzo: www.2helpU.com

Alla fine della loro vita utile, smaltire le batterie in conformità alle norme ambientali.

Dichiarazione di conformità CE
DIRETTIVA MACCHINE
DIRETTIVA SULLA RUMOROSITÀ ESTERNA



- ◆ Scaricare completamente la batteria e toglierla dall'elettrotensile.
- ◆ Le batterie NiCd, NiMH e al litio-ionio sono riciclabili. Imballare la batteria o le batterie in modo idoneo per evitare che i terminali possano essere cortocircuitati. Portarle presso un tecnico autorizzato o presso il centro di riciclaggio di zona.
- ◆ Non cortocircuitare i terminali della batteria.
- ◆ Non smaltire le batterie bruciandole dato che si potrebbe causare un'esplosione.

Dati tecnici

CLM3820		
Tensione in ingresso	V_{oc}	36 V
Velocità in assenza di carico	min^{-1}	3500
Peso	kg	16,2
Batteria		BL2036
Tensione	V_{oc}	36 V
Capacità	Ah	2
Tipo		Li-Ion
Caricabatterie		LCS36 tipo 1
Tensione in ingresso	V_{oc}	230V
Tensione in uscita	V_{oc}	36 V
Corrente	A	1300
Tempo di carica approssimativo	h	1,0-2,0

Valore della vibrazione ponderata mano/braccio:
 $= < 2,5 \text{ m/s}^2$, incertezza (K) = $1,5 \text{ m/s}^2$.

L_{wa} (pressione sonora) 80 dB(A)
 incertezza (K) = 3 dB(A)

Area di taglio:

- ◆ Questo tosaerba può tagliare fino a 300 m² con la carica di un unico pacco batteria da 2 A/h.
- ◆ Tale capacità di taglio (300 m²) è ottenibile con un unico battery pack da 2 Ah completamente carico, con erba asciutta, con la leva di regolazione dell'altezza in posizione 6 e in un periodo di crescita leggera.
- ◆ Con l'erba bagnata, altezze di taglio più basse o in periodi di crescita rapida, l'area di taglio potrà essere inferiore a 300 m².

CLM3820 - Tosaerba
 Black & Decker dichiara che i prodotti qui descritti nella sezione "Dati tecnici" sono conformi alle normative:
 2006/42/EC, EN 60335-1:2012/A13:2017;
 EN 60335-2-77:2010; EN 62233:2008
 2000/14/CE, Tosaerba, L ≤ 50 cm, Allegato VI,
 TÜV SÜD Industrie Service GmbH
 Westendstraße 199, 80686 München
 Paese: Germania
 Numero ente notificato: 0036
 LWA (pressione sonora misurata) 92 dB(A),
 Incertezza (K) = 2,25 dB(A),
 L_{wa} (pressione sonora garantita) 96 dB(A).

Questi prodotti sono anche conformi alle Direttive 2014/30/UE e 2011/65/UE. Per ulteriori informazioni contattare Black & Decker al seguente indirizzo oppure consultare l'ultima di copertina del manuale.
 Il firmatario è responsabile della redazione del presente documento tecnico e rilascia la presente dichiarazione per conto di Black & Decker.

Patrick Diepenbach

Patrick Diepenbach
 Direttore generale, Benelux
 Black and Decker,
 Egide Walschaertsstraat 14-18
 2800 Mechelen, Belgio
 2022.03.16

Garanzia

Black & Decker, certa della qualità dei propri prodotti, offre ai consumatori una garanzia di 24 mesi dalla data di acquisto. Il presente certificato di garanzia 75 è complementare ai diritti legali e non li pregiudica in alcun modo. La garanzia è valida nei territori degli Stati membri dell'Unione Europea o dell'EFTA (Associazione europea di libero scambio).
 Per attivare la garanzia, il reclamo deve essere effettuato in accordo con i Termini e Condizioni Black&Decker e sarà necessario presentare la prova di acquisto al venditore o all'agente di riparazione autorizzato. I Termini e condizioni della garanzia Black & Decker di 2 anni e la sede del tecnico riparatore autorizzato più vicino sono consultabili su Internet all'indirizzo www.2helpU.com, o contattando l'ufficio Black & Decker di zona all'indirizzo indicato in questo manuale. Visitare il nostro sito www.blackanddecker.it per registrare il prodotto Black&Decker appena acquistato e ricevere gli aggiornamenti su nuovi prodotti e offerte speciali.

Bedoeld gebruik

De BLACK+DECKER gazonmaaier CLM3820 is ontworpen voor het maaien van gras. Dit apparaat is uitsluitend bedoeld voor consumentengebruik.

Veiligheidsinstructies

Waarschuwing! Bij het gebruik van snoerloze apparaten moeten bepaalde elementaire voorzorgsmaatregelen, waaronder de navolgende, altijd in acht worden genomen zodat het risico van brand, elektrische schokken, persoonlijk letsel en materiële schade wordt beperkt.

Waarschuwing! De veiligheidsregels moeten worden opgevolgd wanneer u het apparaat gebruikt.

Lees voor uw eigen veiligheid en de veiligheid van omstanders deze instructies voordat u het apparaat gebruikt.

Bewaar de instructies voor later gebruik.

- ◆ Het is niet de bedoeling dat het apparaat wordt gebruikt door personen (waaronder kinderen) met verminderde fysieke, sensorische of psychische vermogens, of door personen die het ontbreekt aan ervaring en kennis, tenzij onder toezicht en na instructie over het gebruik van het apparaat door iemand die verantwoordelijk is voor hun veiligheid.
- ◆ Er moet toezicht worden gehouden op kinderen om ervoor te zorgen dat deze niet met het gereedschap spelen.
- ◆ Als het netsnoer is beschadigd, moet dit worden vervangen door de fabrikant of een BLACK+DECKER-servicecentrum, zodat gevaarlijke situaties worden voorkomen.

- ◆ Lees deze handleiding aandachtig geheel door voordat u het apparaat in gebruik neemt.
- ◆ In deze handleiding wordt het bedoeld gebruik beschreven. Het gebruik van accessoires of hulpstukken of de uitvoering van handelingen anders dan in deze gebruikershandleiding worden aanbevolen, kan een risico van persoonlijk letsel geven.
- ◆ Bewaar deze handleiding voor toekomstige raadpleging.

Het apparaat gebruiken

Ga bij gebruik van het apparaat altijd voorzichtig te werk.

- ◆ Dit apparaat mag niet zonder toezicht door jonge of lichamelijk zwakke mensen worden gebruikt.
- ◆ Het apparaat mag niet als speelgoed worden gebruikt.
- ◆ Laat kinderen of dieren niet in de buurt van de werkomgeving komen, en evenmin het apparaat of netsnoer aanraken.
- ◆ Let extra goed op wanneer u het apparaat in de buurt van kinderen gebruikt.
- ◆ Alleen op een droge plaats gebruiken. Laat het apparaat niet nat worden.
- ◆ Dompel het apparaat niet onder in water.
- ◆ Open de behuizing niet. Binnenin bevinden zich geen onderdelen waaraan de gebruiker onderhoud kan uitvoeren.
- ◆ Gebruik het apparaat niet in een omgeving met explosiegevaar,

zoals in de nabijheid van brandbare vloeistoffen, gassen of stof.

- ◆ Haal de stekker nooit uit het stopcontact door aan de kabel te trekken. Zo voorkomt u beschadiging aan de stekker of de kabel.

Na gebruik

- ◆ Bewaar het apparaat na gebruik op een droge, goed geventileerde plaats, buiten het bereik van kinderen.
- ◆ Berg apparaten op buiten bereik van kinderen.
- ◆ Wanneer het apparaat in de auto ligt, moet u het apparaat in de kofferruimte plaatsen of goed vastzetten, zodat het apparaat niet kan wegschieten bij plotselinge veranderingen in snelheid of richting.

Inspectie en reparaties

- ◆ Controleer het apparaat vóór gebruik op beschadigde en defecte onderdelen. Controleer het apparaat op gebroken onderdelen, schade aan de schakelaars en andere omstandigheden die de werking ervan kunnen beïnvloeden.
- ◆ Werk niet met het apparaat als een onderdeel beschadigd is of defect.
- ◆ Laat beschadigde of defecte onderdelen door een erkende reparateur repareren of vervangen.
- ◆ Probeer nooit andere onderdelen te verwijderen of te vervangen dan in deze handleiding worden vermeld.
- ◆ Zorg dat uw vingers bij aanpassingen aan de maaier niet klem komen

te zitten tussen de bewegende bladen/delen en de vaste delen van de machine.

- ◆ Denk eraan dat bij het verrichten van onderhoud aan de bladen de bladen kunnen bewegen, ook al is de stroomvoorziening uitgeschakeld.

Aanvullende veiligheidsinstructies voor gazonmaaiers

- ◆ Houd de handgreep stevig met beide handen vast wanneer u met de grasmaaier werkt.
- ◆ Als de grasmaaier op enig moment moet worden gekanteld, zorg er dan voor dat tijdens het kantelen beide handen in de werkpositie blijven. Houd beide handen in de werkpositie tot de gazonmaaier weer goed op de grond staat.
- ◆ Draag nooit een hoofdtelefoon voor radio of muziek wanneer u de grasmaaier bedient.
- ◆ Probeer nooit om de wielhoogte aan te passen terwijl de motor draait of terwijl de veiligheidssleutel zich in de behuizing van de schakelaar bevindt.
- ◆ Schakel de grasmaaier als deze vastloopt uit, door de handgreep los te laten, wacht tot het maaiblad tot stilstand komt en verwijder de veiligheidssleutel, voordat u probeert om de blokkering van de vulopening te verwijderen of iets van onder het dek weg te halen.
- ◆ Blijf met uw handen en voeten uit de buurt van het snijgebied.

- ◆ Houd zaagbladen scherp. Draag altijd handschoenen bij het hanteren van het maaiblad van de gazonmaaier.
- ◆ Als u de grasopvang gebruikt, moet u deze regelmatig controleren op slijtage en beschadigingen. Als de grasopvang ernstig is versleten, moet u deze voor uw eigen veiligheid vervangen.
- ◆ Ga zeer voorzichtig te werk wanneer u de grasmaaier achteruit laat rijden of naar u toe trekt.
- ◆ Kom niet met uw handen of voeten in de buurt van of onder de grasmaaier. Blijf altijd uit de buurt van uitwerpopening.
- ◆ Maak het gebied waar u de gazonmaaier gaat gebruiken vrij van voorwerpen zoals stenen, stokken, draad, speelgoed, botten, enz. Deze kunnen door het maaiblad worden weggeslingerd.
Voorwerpen die door het blad worden geraakt, kunnen ernstige verwondingen toebrengen aan personen. Blijf achter de handgreep wanneer de motor draait.
- ◆ Gebruik de grasmaaier niet op blote voeten en niet wanneer u sandalen draagt. Draag altijd stevig schoeisel.
- ◆ Trek de grasmaaier alleen achteruit wanneer dat niet anders kan. Kijk altijd omlaag en achter u voordat en terwijl u achteruit loopt.
- ◆ Richt uitgeworpen materiaal niet op anderen. Zorg ervoor dat uitgeworpen materiaal niet tegen een muur of obstakel komt. Het materiaal kan terugkaatsen naar de gebruiker. Schakel, wanneer u op grindoppervlakken stuit, de gazonmaaier uit door de beugelhandgreep los te laten en laat het blad tot stilstand komen.
- ◆ Gebruik de grasmaaier niet zonder dat de volledige grasopvang, het uitwerpschild, de achterste beschermkap en andere veiligheidsvoorzieningen op hun plaats zitten en goed functioneren. Controleer regelmatig dat alle beschermkappen en veiligheidsvoorzieningen in goede staat zijn en ze de functie vervullen waarvoor ze zijn bedoeld. Vervang een beschadigde beschermkap of een andere veiligheidsvoorziening die beschadigd is voor u de gazonmaaier weer gebruikt.
- ◆ Laat een ingeschakelde grasmaaier nooit onbeheerd achter. Verwijder altijd de veiligheidssleutel als u de grasmaaier onbeheerd achterlaat.
- ◆ Voordat u de grasmaaier reinigt, de graszak verwijdert, het uitwerpschild vrijmaakt, de grasmaaier onbeheerd achterlaat of aanpassingen, reparaties of inspecties uitvoert, moet u altijd de handgreep loslaten zodat de grasmaaier wordt uitgeschakeld, wachten tot het blad tot stilstand is gekomen en de veiligheidssleutel verwijderen.
- ◆ Gebruik de grasmaaier alleen bij daglicht of goed kunstlicht, wanneer voorwerpen op de route van het maaiblad duidelijk zichtbaar zijn voor wie met de grasmaaier werkt.

- ◆ Gebruik de grasmaaier niet wanneer u onder invloed bent van alcohol of drugs of wanneer u moe bent of ziek. Blijf altijd goed opletten, kijk wat u doet en gebruik uw gezond verstand.
- ◆ Vermijd gevaarlijke omgevingen. Gebruik de gazonmaaier nooit in vochtig of nat gras en nooit wanneer het regent. Zet altijd uw voeten goed neer, wandel en ren nooit.
- ◆ Laat, als de grasmaaier ernstig gaat trillen, de handgreep los, wacht u tot het blad tot stilstand is gekomen en verwijder de veiligheidsleutel. Onderzoek vervolgens onmiddellijk wat de oorzaak van het trillen is. Trillen is over het algemeen een waarschuwing voor problemen. Zie het hoofdstuk Problemen oplossen voor advies in het geval van abnormale trilling.
- ◆ Draag altijd goede bescherming voor uw ogen en luchtwegen wanneer u met de grasmaaier werkt.
- ◆ Het gebruiken van een accessoire of hulpstuk dat niet voor deze grasmaaier wordt aanbevolen, kan leiden tot gevaarlijke situaties. Gebruik uitsluitend accessoires die zijn goedgekeurd door BLACK+DECKER.
- ◆ Reik nooit te ver tijdens het werken met de grasmaaier. Zorg er altijd voor dat u stevig staat en dat u niet uw evenwicht verliest tijdens het werken met de gazonmaaier.
- ◆ Maai dwars over het vlak van een helling, nooit omhoog en omlaag. Ga

zeer voorzichtig te werk wanneer u op een helling van richting verandert.

- ◆ Pas op voor gaten, geulen, hobbels, stenen of andere verborgen voorwerpen. Op oneffen terrein kunt u uitglijden en vallen. Hoog gras kan obstakels verbergen.
- ◆ Maai niet op nat gras of zeer steile hellingen. Als u niet stevig staat, kunt u uitglijden en vallen.
- ◆ Maai niet in de buurt van steile hellingen, sloten of dijken. U zou kunnen uitglijden of uw evenwicht verliezen.
- ◆ Laat de maaier afkoelen voordat u deze opbergt.

Overige risico's.

Er kunnen zich bij het gebruik van dit gereedschap nog meer risico's voordoen, die mogelijk niet in de bijgesloten veiligheidswaarschuwingen worden beschreven. Deze risico's kunnen zich voordoen door onoordeelkundig gebruik, langdurig gebruik, enz.

Zelfs wanneer de veiligheidsvoorschriften in acht worden genomen en de veiligheidsvoorzieningen worden gebruikt, kunnen bepaalde risico's niet worden uitgesloten. Dit zijn onder meer:

- ◆ Verwondingen die worden veroorzaakt door het aanraken van draaiende of bewegende onderdelen.
- ◆ Verwondingen die worden veroorzaakt bij het vervangen van onderdelen, bladen of accessoires.
- ◆ Letsel dat wordt veroorzaakt door langdurig gebruik van gereedschap.

Wanneer u langere periodes met gereedschap werkt, kunt u het beste regelmatig een pauze nemen.

- ◆ Gehoorbeschadiging.
- ◆ Gezondheidsrisico's door het inademen van stof dat vrijkomt tijdens het gebruiken van uw gereedschap (bijvoorbeeld het werken met hout, met name eiken, beuken en MDF.)



Nadat u de machine hebt uitgeschakeld, blijven de bladen nog even draaien.



Richtlijn 2000/14/EG gegarandeerd geluidsvermogen.

Waarschuwingssymbolen

Behalve de datumcode vindt u op de machine de volgende symbolen:



Waarschuwing! Lees de handleiding voordat u met het apparaat gaat werken.



Stel het apparaat niet bloot aan regen of een hoge luchtvochtigheid.



Kijk uit voor de scherpe maaimessen.
Voordat u de grasmaaier reinigt, de graszak verwijdert, het uitwerkschild vrijmaakt, de grasmaaier achterlaat of aanpassingen, reparaties of inspecties uitvoert, moet u altijd de veiligheidssleutel uitnemen.



Wees bedacht op voorwerpen die worden weggeslingerd.
Houd omstanders uit de buurt van uw werkgebied.



Draag oogbescherming

Aanvullende veiligheidsinstructies voor accu's en laders

Accu's

- ◆ Probeer nooit om welke reden dan ook accu's open te maken.
- ◆ Stel de accu niet bloot aan water.
- ◆ Stel de accu niet bloot aan hitte.
- ◆ Niet bewaren op plaatsen waar de temperatuur kan stijgen tot boven 40 °C.
- ◆ Alleen opladen bij een omgevingstemperatuur tussen 10 °C en 40 °C.
- ◆ Het gereedschap/apparaat alleen opladen met de bijgeleverde lader. Het gebruik van de verkeerde lader kan een elektrische schok of oververhitting van de accu tot gevolg hebben.
- ◆ Gooi lege accu's weg volgens de instructies in het deel "Het milieu beschermen".
- ◆ Het accupakket niet beschadigen/vervormen, bijv. door er gaten in te boren of erop te slaan, aangezien dit een risico op letsel en brand kan veroorzaken.
- ◆ Beschadigde accu's niet opladen.

- ◆ Onder extreme omstandigheden kunnen accu's gaan lekken. Wanneer u merkt dat de accu nat of vochtig is, veeg de vloeistof dan voorzichtig af met een doek. Vermijd huidcontact.
- ◆ Volg bij contact met huid of ogen onderstaande instructies.

Waarschuwing! De accuvloeistof kan lichamelijk letsel en materiële schade veroorzaken. Bij huidcontact moet u de vloeistof direct afspoelen met water. Raadpleeg uw huisarts als er rode vlekken ontstaan of bij een pijnlijke of geïrriteerde huid. Bij oogcontact moet u de vloeistof direct uitspoelen met water en uw huisarts raadplegen.



Probeer niet beschadigde accu's op te laden.

Laders

De lader is ontworpen voor een bepaalde spanning.

Controleer altijd dat de netspanning overeenkomt met de waarde op het typeplaatje.

Waarschuwing! Probeer nooit de lader te voorzien van een normale netstekker.

- ◆ Gebruik de lader van BLACK+DECKER alleen voor de accu's in het gereedschap waarbij de lader is geleverd. Andere batterijen kunnen openbarsten, met persoonlijk letsel en materiële schade tot gevolg.
- ◆ Probeer nooit om niet-oplaadbare accu's op te laden.
- ◆ Als het netsnoer is beschadigd, moet het door de fabrikant of door een erkend BLACK+DECKER-

servicecentrum worden vervangen, om gevaarlijke situaties te voorkomen.

- ◆ Stel de lader niet bloot aan water.
- ◆ Maak de lader niet open.
- ◆ Steek niet met een scherp voorwerp in de lader.
- ◆ Het apparaat/het gereedschap/de accu moet tijdens het laden in een goed geventileerde ruimte worden geplaatst.



De lader is uitsluitend bestemd voor gebruik binnenshuis.



Lees de instructiehandleiding voor u de lader in gebruik neemt.

Elektrische veiligheid



De lader is dubbel geïsoleerd, en daarom is een aardedraad niet nodig. Controleer altijd dat de netspanning overeenkomt met de waarde op het typeplaatje. Probeer nooit de lader te voorzien van een normale netstekker.

Functies

Dit apparaat heeft enkele of alle van de volgende functies.

1. Veiligheidssleutel
2. Handgreep voor in-/uitschakelen
3. Ontgrendelingsknop
4. Handgreep
5. Kabelklemmen
6. Bovenste duwbeugel
7. Ontgrendeling voor bovenste duwbeugel
8. Indicator grasopvangbak vol
9. Grasopvangbak
10. Onderste duwbeugel
11. Ontgrendeling voor onderste duwbeugel
12. Verende achterklep
13. Hendel voor hoogteaanpassing

14. Accudeksel
15. Ontgrendeling accudeksel
16. Hendel

Montage

Waarschuwing! Schakel voorafgaand aan de montage de machine uit, en neem de veiligheidssleutel en de accu eruit.

De grasopvangbak monteren (afb. A - C)

De grasopvangbak wordt geleverd in 3 delen en moet vóór gebruik in elkaar worden gezet.

- ◆ Klik de 2 kanten van de grasopvangbak (9) in elkaar (afb. A). Zorg ervoor dat de klemmen en klemopeningen tegenover elkaar liggen.
- ◆ Plaats de klep (17) op de grasopvangbak. Zorg ervoor dat de klemopeningen en de klemmen tegenover elkaar liggen.

Opmerking: Besteed hierbij extra zorg aan de klemmen aan de achterkant van de grasopvangbak.

- ◆ Druk de klep naar beneden om de klemmen in de openingen te drukken. Begin hierbij vooraan en werk naar achteren toe. Controleer of alle klemmen goed vastzitten.

De onderste duwbeugel bevestigen (afb. D en E)

- ◆ Verwijder de ontgrendelingen van de onderste duwbeugel (11) uit de maaier.
- ◆ Plaats de einden van de onderste duwbeugel (10) aan de linker- en rechterkant van de maaier. Zorg er daarbij voor dat de drie inkepingen (18) op de onderste duwbeugel (10) naar boven wijzen.
- ◆ Schroef de ontgrendelingen van de onderste duwbeugel (11) door de duwbeugel in de maaier. Als de ontgrendelingen tot de helft in de maaier zijn geschroefd, sluit u de ontgrendelingen (afb. E). Let er daarbij op dat de tanden van de duwbeugel en de maaier in elkaar vallen. Pas, wanneer de verbinding tussen de hendel en de snelsluitingen te vast of te los is, de diepte aan tot waar de sluitingen in de hendel zijn geschroefd en sluit de snelsluitingen opnieuw totdat de tanden volledig zijn gesloten.

De bovenste duwbeugel bevestigen (afb. F en G)

- ◆ Bevestig de bovenste duwbeugel (6) aan de onderste duwbeugel (10) met de ontgrendelingen (7) en klembouten (19) zoals afgebeeld.
- ◆ Schroef de ontgrendelingen van de bovenste duwbeugel (7) door de onderste duwbeugel in de klembouten (20). Als de ontgrendelingen van de bovenste duwbeugel tot de helft in de klembouten zijn geschroefd, sluit u de ontgrendelingen (afb. G).
Pas, wanneer de verbinding tussen de hendel en de snelsluitingen te vast of te los is, de diepte aan tot waar de sluitingen in de hendel zijn geschroefd en sluit de snelsluitingen opnieuw tot de tanden volledig zijn gesloten.

De hoogte van de duwbeugel instellen (afb. H)

- ◆ Ontgrendel de ontgrendeling van de onderste duwbeugel zoals afgebeeld.
- ◆ Til de beugel of op laat deze zakken naar een van de 3 gemarkeerde posities naast de vergrendelingen van de onderste duwbeugel.
- ◆ Sluit de ontgrendelingen van de onderste duwbeugel (11) en controleer of de tanden van de duwbeugel en de maaier in elkaar grijpen.
Pas, wanneer de verbinding tussen de hendel en de snelsluitingen te vast of te los is, de diepte aan tot waar de sluitingen in de hendel zijn geschroefd en sluit de snelsluitingen opnieuw tot de tanden volledig zijn gesloten.

Het motorsnoer vastzetten

Het motorsnoer moet met de kabelklem worden bevestigd.

- ◆ Maak de kabel vast aan de bovenste en onderste duwbeugel door deze vast te klemmen in de kabelklemmen (5).

De grasopvangbak plaatsen (afb. I en J)

- ◆ Til de grasverwijderingsklep (12) op en plaats de grasopvangbak (9) op de lippen (20).

Aanpassing wielhoogte (afb. K en L)

Uw maaier beschikt over het BLACK+DECKER Easy-systeem voor aanpassing van wielhoogte. Met dit systeem worden de vier wielen tegelijkertijd aangepast.

De maaier heeft zes hoogtestanden voor het blad (30 mm t/m 80 mm). Zie de schaalverdeling op de zijkant van de maaier. De wijzer geeft de hoogte-instelling voor het maaiveld van uw gras aan.

Deze instelling kunt u als referentie gebruiken voor de volgende keer dat u uw gras op dezelfde hoogte wilt maaien.

- ◆ Laat de hendel (2) los om de grasmaaier uit te schakelen, wacht tot het blad stopt en verwijder de veiligheidssleutel (1).
- ◆ Om de maaierhoogte te verhogen of verlagen, plaatst u uw handpalm op de handsteun (21) en trekt u de hendel voor de hoogteaanpassing (13) weg van de maaier.
- ◆ Plaats de hendel voor de hoogteaanpassing (13) in de gewenste positie en duw de hendel terug naar de maaier toe.

Opmerking: Zorg ervoor dat de maaier stevig is vergrendeld in een van de zes posities.

De accu verwijderen en plaatsen (afb. O)

Voordat u de accu verwijdert:

- ◆ Plaats de maaier op een vlak oppervlak.
- ◆ Laat de handgreep (2) los om de maaier uit te schakelen, wacht tot het blad stopt en verwijder de veiligheidssleutel (1).

De accu verwijderen:

- ◆ Trek de ontgrendeling van het accudeksel (15) in de richting van de voorkant van de maaier en til het accudeksel (14) op.
- ◆ Til de accu (22) uit de maaier.

De accu plaatsen

- ◆ Trek de ontgrendeling van het accudeksel (15) in de richting van de voorkant van de maaier en til het accudeksel (14) op.
- ◆ Schuif de accu (22) in de maaier. (De accu past maar op een manier.)

Gebruik

Waarschuwing! Laat het apparaat op z'n eigen snelheid werken.

Overbelast het gereedschap niet.

De accu laden (afb. M)

De accu moet vóór het eerste gebruik worden opgeladen, en ook zodra de accu niet meer voldoende vermogen levert voor taken die eerst gemakkelijk konden worden uitgevoerd. Tijdens het opladen kan de accu warm worden. Dit is normaal en duidt niet op een probleem.

Waarschuwing! Laad de batterij niet op bij een omgevingstemperatuur lager dan 10 °C of hoger dan 40 °C. De aanbevolen laadtemperatuur is ongeveer 24 °C.

Opmerking: De lader zal de accu niet opladen als de temperatuur van de accu lager is dan ongeveer 0 °C of hoger dan 40 °C.

Laat de accu in dat geval in de lader zitten. De lader wordt automatisch ingeschakeld wanneer de accu de juiste temperatuur heeft.

- ◆ Als u de accu (22) wilt opladen, schuift u de accu in de lader (23). De accu past maar op één manier in de lader. Oefen er geen kracht op uit. Controleer dat de accu goed in de lader is geplaatst.
- ◆ Steek de stekker van de lader in een stopcontact. Het indicatielampje van de oplader (24) blijft (langzaam) groen knipperen. Wanneer het indicatielampje (24) continu groen brandt, is de accu volledig opgeladen. U kunt de accu voor onbepaalde tijd in de lader laten zitten, terwijl het LED-lampje brandt. Het lampje gaat wel eens groen knipperen (opladen), omdat de accu door de lader af en toe wordt bijgeladen. Het indicatielampje (24) blijft branden zolang de accu zich op de lader bevindt en de lader is aangesloten op het stopcontact.
- ◆ Lege accu's moeten binnen 1 week worden opgeladen. Als u accu's in niet opgeladen toestand bewaart, loopt de levensduur van de accu's aanzienlijk terug.

De accu in de lader laten

U kunt de accu voor onbepaalde tijd in de lader laten terwijl

het LED-lampje blijft branden. De lader houdt de accu volledig opgeladen.

Diagnose van de accu door de lader

Als de lader waarneemt dat de accu bijna leeg is of beschadigd is, gaat het indicatielampje van de lader (24) snel rood knipperen.

Ga in dat geval als volgt te werk:

- ◆ Plaats de accu (22) opnieuw.
- ◆ Als het oplaadlampje snel rood blijft knipperen, controleer dan met een andere accu of de lader wel goed werkt.
- ◆ Als de andere accu goed wordt opgeladen, is de oorspronkelijke accu defect. Breng de accu naar een servicecentrum voor recycling.
- ◆ Als het lampje ook bij de andere accu snel knippert, moet u de lader laten testen bij een erkend servicecentrum.

Opmerking: Het kan soms wel 30 minuten duren voordat kan worden vastgesteld dat de accu niet goed functioneert.

Als de accu te warm of te koud is, knippert het lampje afwisselend snel en langzaam rood.

Laadniveau-indicator (afb. N)

De accu is uitgerust met een laadniveau-indicator. Hiermee kan het actuele laadniveau tijdens het gebruik en tijdens het opladen worden weergegeven.

- ◆ Druk op de knop van de laadniveau-indicator (25).

Veiligheidsleutel (afb. P)

Verwijder de veiligheidsleutel:

- ◆ Wanneer u het apparaat onbeheerd achterlaat.
- ◆ Voordat u een blokkade verwijdert.
- ◆ Voordat u het apparaat controleert, reinigt of eraan werkt.
- ◆ Nadat u een vreemd object hebt geraakt.
- ◆ Wanneer het apparaat abnormaal begint te trillen.

In- en uitschakelen (afb. P en Q)

Waarschuwing! Scherp bewegend blad. Probeer de werking van deze schakelaar en de veiligheidsleutel nooit te overbruggen. Dit kan leiden tot ernstige verwondingen.

Inschakelen

- ◆ Plaats de veiligheidsleutel (1) volledig in de behuizing van de schakelaar.
- ◆ Druk op de ontgrendelingsknop (3) bovenop de behuizing van de schakelaar.
- ◆ Trek de handgreep voor het in-/uitschakelen van het blad (2) in de richting van de handgreep (4).

Uitschakelen

- ◆ Laat u de handgreep voor het in-/uitschakelen van het blad (2) los om de grasmaaier uit te schakelen.

Wanneer de handgreep voor in-/uitschakelen (2) naar zijn originele positie is teruggedraaid, activeert deze het

automatische remsysteem. De motor wordt elektrisch geremd en het blad van de grasmaaier stopt binnen 3 seconden met draaien.

Indicator grasopvangbak vol (afb. R)

De grasmaaier is uitgerust met een voorziening waardoor u gemakkelijk kunt zien of de opvangbak vol is en moet worden geleegd.

- ◆ Als de grasmaaier is ingeschakeld en de grasopvangbak leeg is, staat de indicator in de open positie (26).
- ◆ Als de grasmaaier is ingeschakeld en de grasopvangbak vol is, staat de indicator in de gesloten positie (27).

Tips voor optimaal gebruik

- ◆ Gazons moeten voor het eerst worden gemaaid in de lente, wanneer het gras ongeveer 63 mm tot 76 mm hoog is. Als te vroeg in het seizoen wordt gemaaid, worden de wortelsystemen van het gras beperkt. Deze vernieuwen zichzelf elke lente. Nieuw gras moet worden gemaaid wanneer het ongeveer 63 mm hoog is.
- ◆ Snijd de grashalmen niet te kort af in één maaibeurt: maai nooit meer dan 1/3 van de halmhoogte per maaibeurt. Te laag maaien geeft gevoelige grassprietten een 'schok'. Dit resulteert in een ondiep wortelsysteem waardoor uw gazon moeilijker water uit de grond kan halen.
- ◆ Maai uw gazon wanneer het droog is, zodat u voorkomt dat nat gras klonten vormt. Als u de keus hebt, maai dan laat in de middag. Dit is de ideale tijd, niet alleen omdat het gras droog is maar ook omdat het gevoelige, pas gemaaide stuk gras niet aan sterk zonlicht wordt blootgesteld.
- ◆ Houd het maaiblad scherp zodat het gras mooi recht wordt afgesneden. Dit verbetert de prestaties van de maaier en komt het uiterlijk van uw gazon te goede. Een bot blad verbrijzelt en kneust de graspunten. Dit schaadt de gezonde groei van uw gazon en verhoogt de vatbaarheid voor grasziekten. Gekneusde graspunten krijgen een bruinachtige kleur die uw gazon een ongezond uiterlijk geeft. Een bot mes kan ook jonge graszaailingen uittrekken.
- ◆ Probeer uw gazon op een constante maaihogte te maaien. Hoewel u de maaihogte af en toe moet variëren met de wisselende seizoenen, produceert een constante maaihogte een gezonder, mooier gazon met over het algemeen minder onkruid. Maai vaker in de periodes waarin het gras snel groeit. Vaak maaien zorgt ervoor dat het onderste, minder aantrekkelijke deel van het gras niet te zien is.
- ◆ Als uw gazon te lang is geworden, bijvoorbeeld tijdens een vakantie, maai dan op een maaihogte die een of twee posities hoger is dan normaal. Als u een paar dagen later nogmaals maait op de normale maaihogte ligt uw gazon weer op schema.

Met het BLACK+ DECKER One Touch-systeem voor aanpassing van de wielhoogte is het veranderen van de maaihogte eenvoudig, omdat de hoogte van de wielen tegelijkertijd wordt aangepast.

- ◆ Tijdens de lente en de herfst, of na een onderbreking in het maaischema, is het gras langer en dikker. Probeer de wielen op een hogere maaihogte in te stellen als de motor tijdens het maaien steeds vertraagt. Een te grote belasting van de motor kan resulteren in ongelijk maaien en snellere ontlading van de accu en kan ervoor zorgen dat de motor overbelast raakt, zodat deze stopt.
- ◆ Er zijn drie goede manieren om het uiterlijk van uw gazon te verbeteren: Varieer de maairichting regelmatig; maai horizontaal op hellingen; (dit is ook goed voor de veiligheid) en vergeet niet om het maaipad bij elke passage te laten overlappen.

Maaitips

Opmerking: Inspecteer altijd het gebied waar de grasmaaier gebruikt moet worden en verwijder alle stenen, takken, draden, hondenuitlopers en andere brokstukken die door het roterende blad kunnen worden weggeslingerd.

- ◆ Maai dwars over het vlak van een helling, nooit omhoog en omlaag. Ga zeer voorzichtig te werk wanneer u op een helling van richting verandert. Maai uitzonderlijk steile hellingen niet. Zorg altijd voor een goede steun voor uw voeten.
- ◆ Laat de handgreep voor in-/uitschakelen (2) los als u over grindoppervlakken loopt. De stenen kunnen door het roterende blad worden weggeslingerd.
- ◆ Stel de grasmaaier op de hoogste maaihogte in als u een ruwe ondergrond of hoog onkruid maait. Als u te veel gras tegelijk verwijderd, kan de motor overbelast raken. In dat geval stopt de grasmaaier. Zie het hoofdstuk Problemen oplossen. Als de grasopvangbak (9) wordt gebruikt tijdens periodes waarin het gras zeer snel groeit, kan het gras bij de uitwerping een verstopping veroorzaken.
- ◆ Laat de handgreep (2) los om de grasmaaier uit te schakelen en verwijder de veiligheidsleutel (1).
- ◆ Verwijder de grasopvangbak (9) en schud het gras naar de achterkant van de zak.
- ◆ Verwijder het gras of de rommel die zich rond de uitwerping bevindt.
- ◆ Plaats de grasopvangbak (9) terug.

Als de grasmaaier abnormaal begint te trillen:

- ◆ Laat de handgreep (2) direct los zodat de grasmaaier uitschakelt en verwijder de veiligheidsleutel (1) en de accu (22).
- ◆ Onderzoek de oorzaak van de trilling. Trillingen zijn een waarschuwing. Gebruik de grasmaaier niet tot er een servicecontrole is uitgevoerd. Zie het hoofdstuk Problemen oplossen in de handleiding.

Opmerking: Laat altijd de handgreep los om de grasmaaier

uit te schakelen en verwijder de veiligheidssleutel als u de maaier onbeheerd achterlaat, ook als dit slechts voor korte tijd is.

Met behulp van de volgende suggesties kan uw draadloze maaier de optimale looptijd behalen:

- ◆ Ga langzamer op plekken waar het gras zeer lang of dik is.
- ◆ Maai niet als het gras nat is.
- ◆ Maai uw gazon regelmatig, vooral tijdens periodes van sterke groei.

Onderhoud

Het BLACK+DECKER-apparaat/-gereedschap, met netsnoer/snoerloos, is ontworpen om gedurende lange tijd te functioneren met een minimum aan onderhoud. U kunt het gereedschap/het apparaat naar volle tevredenheid blijven gebruiken als u het goed onderhoudt en regelmatig schoonmaakt.

Behalve regelmatige reiniging vraagt de lader geen onderhoud.

Waarschuwing! Ga als volgt te werk voor u onderhoud aan elektrisch gereedschap met of zonder snoer uitvoert:

- ◆ Schakel het gereedschap/apparaat uit en trek de stekker uit het stopcontact.
- ◆ Als de accu is ingebouwd, laat u deze volledig ontladen. Schakel dan het apparaat uit.
- ◆ Neem de lader uit het stopcontact voordat u deze schoonmaakt. Behalve regelmatige reiniging vraagt de lader geen onderhoud.
- ◆ Reinig regelmatig de ventilatieopeningen van het gereedschap/apparaat en de lader met een zachte borstel of droge doek.
- ◆ Reinig de behuizing van de motor regelmatig met een vochtige doek. Gebruik niet een schurend schoonmaakmiddel of een schoonmaakmiddel op basis van een oplosmiddel.
- ◆ Verwijder regelmatig met een botte krabber gras en vuil van onder de beschermkap.

Het blad verwijderen en installeren (afb. S, T en U)

Waarschuwing! Raak het blad niet aan voordat de veiligheidssleutel is verwijderd en de bladen volledig tot stilstand zijn gekomen.

- ◆ Laat de handgreep (2) los om de maaier uit te schakelen, wacht tot het blad stopt en verwijder de veiligheidssleutel (1).
- ◆ Gebruik een stuk hout (ongeveer 50 mm x 100 mm x 600 mm lang) om te voorkomen dat het blad draait terwijl u de flensmoer (29) verwijdert.
- ◆ Draai de maaimachine op z'n zij.

Waarschuwing! Draag handschoenen en geschikte oogbescherming. Wees voorzichtig, de bladen hebben scherpe randen.

- ◆ Plaats het stuk hout (28) en verwijder de flensmoer (29) met een moersleutel van 13 mm (afb. S).
- ◆ Verwijder de sluitring (30), het blad (31), de vierkante bladgeleider (32) en de ventilator (33) (afb. T). Controleer de bladgeleider (32) en de ventilator (33) op schade en vervang ze indien nodig.

Zorg ervoor dat bij het terugplaatsen van het blad de graszijde van het blad (aangegeven door pijlen aan beide uiteinden) naar de grond wijst wanneer de maaier weer in zijn normale rechte positie staat.

- ◆ Installeer de ventilator (33). Zorg ervoor dat de ventilatorbladen (34) in de richting van de maaier wijzen.
- ◆ Installeer de bladgeleider (32). Zorg ervoor dat de D-vormige uitsteeksel (35) naar buiten wijzen, dus van maaier af.
- ◆ Zorg ervoor dat de platte vlakken op de ventilator (33) en de bladgeleider (32) zijn uitgelijnd met de platte vlakken van de schacht.
- ◆ Bevestig het blad (31) op de bladgeleider (32). De pijlen moeten naar buiten wijzen.
- ◆ Plaats het stuk hout (28) om te voorkomen dat het blad (31) draait (afb. U).
- ◆ Plaats de sluitring (30) en de flensmoer (29) en draai deze aan met een sleutel van 13 mm.

Bladen slijpen (afb. V)

Houd voor de beste prestaties het blad scherp. Een bot blad snijdt het gras niet goed af en wordt het niet goed bedekt.

Waarschuwing! Zorg er altijd voor dat de veiligheidssleutel is verwijderd.

Waarschuwing! Draag geschikte oogbescherming als u een blad verwijdert, slijpt en installeert.

Onder normale omstandigheden is tweemaal slijpen tijdens een maaiseizoen voldoende. Zand zorgt ervoor dat het blad snel bot wordt. Als uw gazon zanderige aarde heeft, kan het nodig zijn om het blad vaker te slijpen.

- ◆ Vervang gebogen of beschadigde bladen direct.

Bij het slijpen van het maablad:

- ◆ Zorg ervoor dat het blad in balans slijft.
- ◆ Slijp het mes in de originele snielhoek.
- ◆ Slijp de snijkanten aan beide zijden van het blad en verwijder gelijke hoeveelheden materiaal van beide zijden.

Een blad slijpen in een bankschroef (afb. V)

- ◆ Laat de handgreep (2) los om de grasmaaier uit te zetten en wacht tot het blad volledig is gestopt.
- ◆ Verwijder de veiligheidssleutel (1) en de accu (22) en draai de grasmaaier op zijn zij.
- ◆ Verwijder het blad (31) van de maaier; zie de instructies voor het verwijderen en installeren van bladen.

Waarschuwing! Draai geschikte oogbescherming en handschoenen en let op de scherpe randen van het blad.

- ◆ Plaats het blad (31) in een bankschroef.
- ◆ Vijl de snijkanten van het blad voorzichtig met een fijngetande vijl of een slijpsteen. Behoud de originele snijkant.
- ◆ Controleer de balans van het blad; zie de instructies voor bladbalans.
- ◆ Installeer het blad (31) op de maaier en zet stevig vast; zie de instructies voor het verwijderen en installeren van bladen.

Bladbalans (afb. W)

- ◆ Controleer de balans van het blad door het middengat in het blad op een spijker of de ronde steel van een schroevendraaier te plaatsen die horizontaal in een bankschroef is geklemd. Als een van de zijden van het blad naar beneden draait slijpt u dat uiteinde van het blad tot het blad in balans is.

Smering

Smeren is niet nodig. Olie de wielen niet. Ze hebben kunststof lageroppervlakken waar geen smering voor nodig is.

Reiniging

- ◆ Laat de handgreep (2) los om de grasmaaier uit te zetten en wacht tot het blad volledig is gestopt.
- ◆ Verwijder de veiligheidssleutel (1).
- ◆ Maak de maaimachine schoon met alleen milde zeep en een vochtige doek.
- ◆ Gebruik een bot stuk gereedschap om grasresten te verwijderen die zich aan de onderzijde van de maaier hebben verzameld.
- ◆ Controleer na meerdere keren gebruiken dat alle blootstelde bevestigingen nog vast zitten.

Roest voorkomen

Meststoffen en andere tuinchemicaliën bevatten stoffen die de roestvorming van metalen sterk versnellen. Als u gebieden maait waar meststoffen of andere chemicaliën zijn gebruikt, moet de maaier daarna onmiddellijk als volgt worden gereinigd:

- ◆ Laat de handgreep (2) los om de grasmaaier uit te zetten en wacht tot het blad volledig is gestopt.
- ◆ Verwijder de veiligheidssleutel (1).
- ◆ Neem alle blootgestelde onderdelen af met een vochtige doek.

Transport en opslag

Waarschuwing! Het roterende blad kan ernstige verwondingen veroorzaken.

Laat de hendel voor in-/uitschakelen los om de maaier uit te zetten en verwijder de veiligheidssleutel voordat u de maaier optilt, transporteert of opslaat. Bewaren op een droge plaats.

Opmerking: De maaier is minder zwaar om op te tillen als

eerst de accu wordt verwijderd. Til de maaier nooit op aan de grendel.

Opslag

In warme klimaten wordt aanbevolen de accu altijd aan de lader te houden om optimale prestaties te garanderen.

De accu kan worden opgeslagen met ontkoppelde lader als aan de volgende voorwaarden wordt voldaan.

- ◆ De accu is voorafgaand aan de opslag volledig opgeladen.
- ◆ De gemiddelde temperatuur van de opslaglocatie is lager dan 10°C (50°F).

Problemen oplossen

Ga te werk volgens onderstaande instructies, als de machine niet goed lijkt te functioneren. Neem contact op met het BLACK+DECKER-servicecentrum bij u in de buurt, als u het probleem niet kunt verhelpen.

Waarschuwing! Laat voordat u verder gaat, de handgreep voor in-/uitschakelen los, wacht tot het blad stopt en verwijder de veiligheidssleutel.

Probleem	Mogelijke oplossing
Machine werkt niet goed.	Controleer om zeker te zijn dat de veiligheidssleutel geplaatst is en volledig in de behuizing zit en dat de vergrendelknop volledig is ingedrukt voordat u de handgreep voor in-/uitschakelen naar boven trekt.
	Laat de beugelhandgreep los en zet zo de maaimachine uit. Neem de veiligheidssleutel en de accu uit, keer de maaier om en controleer dat het maaiblad vrij kan draaien.
	Controleer of de ruimte voor de accu vrij is van vuil en de accu correct is geïnstalleerd.
	Is de accu volledig opgeladen? Sluit de lader aan en wacht tot het groene lampje gaat branden.
De motor stopt tijdens het maaien.	Laat de beugelhandgreep los en zet zo de maaimachine uit. Verwijder veiligheidssleutel en accu. Keer de maaier om en controleer dat het blad vrij kan draaien.
	Verhoog de maaihoogte van de wielen naar de hoogste positie en start de maaier.
	Controleer dat de accu ruimte vrij is van vuil en de accu goed is aangesloten.
	Is de accu volledig opgeladen? Druk op de knop voor het laadniveau.
Machine maait onregelmatig of motor wordt zwaar belast	Overbelast de maaier niet. Ga langzamer maaien of verhoog de maaihoogte.
	Is de accu volledig opgeladen? Druk op de knop voor het laadniveau.
	Laat de beugelhandgreep los en zet zo de maaimachine uit. Verwijder veiligheidssleutel en accu. Keer de maaier om en controleer: <ul style="list-style-type: none"> ◆ Het blad op scherpte - Houd het blad scherp. ◆ Het dek en de uitwerptrechter op blokkades.
	De aanpassing van de wielhoogte kan te laag zijn ingesteld voor de staat van het gras. Verhoog de maaihoogte.

Probleem	Mogelijke oplossing
De maaier is moeilijk te duwen.	Laat de beugelhandgreep los en zet zo de maaimachine uit. Verwijder veiligheidsleutel en accu. Verhoog de maaihogte zodat de wrijving tussen het dek en het gras afneemt. Controleer dat de wielen allemaal vrij kunnen draaien
De maaier maakt meer lawaai dan normaal en trilt.	<p>Laat de beugelhandgreep los en zet zo de maaimachine uit. Verwijder veiligheidsleutel en accu. Draai de maaimachine op z'n kant en controleer het blad zodat u er zeker bent dat het niet gebogen of beschadigd is. Als het blad beschadigd is, vervang het dan door een vervangend maaiblad van BLACK+DECKER. Is de onderzijde van het maaimachine beschadigd, breng dan de maaimachine terug naar een geautoriseerd servicecentrum van BLACK+DECKER.</p> <p>Als er geen zichtbare schade aan het blad is en de maaier blijft trillen:</p> <ul style="list-style-type: none"> ◆ Laat de beugelhandgreep los en zet zo de maaimachine uit. ◆ Verwijder veiligheidsleutel en accu. ◆ Demonteer het volledige maaiblad zoals beschreven wordt in het hoofdstuk "Maaiblad verwijderen en installeren". ◆ Verwijder alle vuil en maak elk onderdeel schoon. ◆ Plaats elk onderdeel weer terug zoals beschreven wordt in het hoofdstuk "Maaiblad verwijderen en installeren". <p>Als de maaimachine nog steeds trilt, breng de machine dan terug naar een geautoriseerd servicecentrum van BLACK+DECKER.</p>
De maaimachine pakt het gemaaid gras niet op.	<p>De uitwerpopening zit verstopt. Laat de beugelhandgreep los en zet zo de maaimachine uit. Verwijder veiligheidsleutel en accu. Haal het gemaaid gras uit de uitwerpopening.</p> <p>Verhoog de maaihogte van de wielen zodat het gras minder kort wordt gemaaid.</p> <p>De zak is vol. Leeg de zak vaker.</p>

vinden op het volgende internetadres: www.2helpU.com

Gooi afgedankte accu's op verantwoorde wijze weg:

- ◆ Ontlaad de batterij volledig en verwijder deze vervolgens uit het gereedschap.
- ◆ NiCd-, NiMH- en lithium-ionbatterijen kunnen worden hergebruikt. Plaats de accu('s) in een geschikte verpakking, om te verzekeren dat kortsluiting van de polen niet mogelijk is. Breng accu's naar een servicecentrum of een verzamelpunt bij u in de buurt.
- ◆ Let erop dat er geen kortsluiting ontstaat tussen de polen van de accu's.
- ◆ Gooi de accu('s) niet in het vuur, dit kan persoonlijk letsel of een explosie tot gevolg hebben.

Technische gegevens

CLM3820		
Ingangsspanning	V _{oc}	36V
Onbelaste snelheid	min ⁻¹	3500
Gewicht	kg	16,2
Accu		BL2036
Spanning	V _{oc}	36V
Capaciteit	Ah	2
Type		Li-Ion
Lader		LCS36 type 1
Ingangsspanning	V _{ac}	230V
Uitgangsspanning	V _{oc}	36V
Laadstroom	A	1300
Laadtijd bij benadering	h	1,0 - 2,0

Waarde gewogen trilling hand/arm:
= < 2,5 m/s², onzekerheid (K) = 1,5 m/s².

L_{pa} (geluidsdruk) 80 dB(A)
onzekerheid (K) = 3 dB(A)

Gemaaid oppervlak:

- ◆ Deze maaier kan tot 300 m² maaien op één 2 Ah accupakket.
- ◆ Dit oppervlak (300 m²) kan worden gemaaid op één, volledig opgeladen 2 Ah accu in droge omstandigheden met de hendel voor de maaihogte in positie 6 na omstandigheden met gematigde groei.
- ◆ In vochtige omstandigheden, bij een lage hoogte-instelling en na sterk groeibevorderende omstandigheden is het te maaien oppervlak mogelijk kleiner dan 300 m².

Het milieu beschermen



Gescheiden afvalinzameling. Producten en accu's die zijn voorzien van dit symbool mogen niet bij het normale huishoudafval worden weggegooid.

Mocht u op een dag constateren dat het Black & Decker-product aan vervanging toe is of dat u het apparaat niet meer nodig hebt, gooi het product dan niet bij het restafval. Bied dit product aan op een inzamelpunt waar afval wordt gescheiden. Gescheiden inzameling van gebruikte producten en verpakkingsmaterialen maakt het mogelijk materialen te recyclen en opnieuw te gebruiken.

Het hergebruik van gerecycleerd materiaal helpt milieuvervuiling te voorkomen en vermindert de vraag naar grondstoffen. Plaatselijke bepalingen voorzien mogelijk in de gescheiden inzameling van elektrische huishoudelijke producten, op gemeentelijke inzamel punten of bij de leverancier waar u een nieuw product aanschaft.

Black & Decker biedt de mogelijkheid tot het recyclen van afgedankte Black & Decker-producten. Stuur als u van deze service gebruik wilt maken uw product terug naar iedere erkende reparateur die namens ons de verzameling op zich neemt.

U kunt het adres van het dichtstbijzijnde Black & Decker-servicecentrum opvragen via de adressen aan de achterzijde van deze handleiding. U kunt ook een lijst van onze servicecentra en meer informatie over onze klantenservice

EG Conformiteitsverklaring
RICHTLIJN VOOR MACHINES
RICHTLIJN VOOR GELUID BUITENSHUIS



CLM3820 grasmaaier

Black & Decker verklaart dat de producten die worden beschreven onder "technische gegevens", voldoen aan:

2006/42/EC, EN 60335-1:2012/A13:2017;

EN 60335-2-77:2010; EN 62233:2008

2000/14/EC, Grasmaaier, L < 50cm, Annex VI,

TÜV SÜD Industrie Service GmbH

Westendstraße 199, 80686 München

Land: Duitsland

Aangemelde instantie nr.: 0036

LWA (gemeten geluidsvermogen) 92 dB(A),

Meetonzekerheid (K) = 2,25 dB(A),

L_{WA} (gegarandeerd geluidsvermogen) 96 dB(A).

Deze producten voldoen ook aan richtlijn 2014/30/EU en 2011/65/EU. Neem voor meer informatie contact op met Black & Decker op het volgende adres of raadpleeg de achterzijde van de handleiding.

Ondergetekende is verantwoordelijk voor de samenstelling van het technische bestand en legt deze verklaring af namens Black & Decker.

Patrick Diepenbach
 General Manager, Benelux
 Black and Decker,
 Egide Walschaertsstraat 14-18
 2800 Mechelen, België
 16.03.2022

Garantie

Black & Decker heeft vertrouwen in zijn producten en biedt consumenten een garantie van 24 maanden vanaf de aankoopdatum. Deze garantie vormt een aanvulling op uw wettelijke rechten en beperken deze niet. De garantie is geldig op het grondgebied van de Lidstaten van de Europese Unie en de Europese Vrijhandelszone.

Voor een garantie-aanspraak moet uw aanspraak in overeenstemming zijn met de Voorwaarden en Condities van Black&Decker en moet u een bewijs van aankoop overleggen aan de verkoper of aan een geautoriseerde reparatiemonteur. Voorwaarden en condities van de 2-jarige garantie van Black&Decker en het adres van de vestiging van het geautoriseerde reparatiecentrum bij u in de buurt, kunt u vinden op internet op www.2helpU.com, of door contact op

te nemen met het Black & Decker-kantoor ter plaatse, op het adres dat in deze handleiding wordt vermeld.

Bezoek onze website www.blackanddecker.nl, waar u uw nieuwe Black & Decker-product kunt registreren en het laatste nieuws vindt over nieuwe producten en speciale aanbiedingen.

Uso previsto

El cortacésped BLACK+DECKER CLM3820 ha sido diseñado para cortar hierba. Este aparato ha sido diseñado únicamente para uso doméstico.

Instrucciones de seguridad

¡Advertencia! Si utiliza aparatos sin cable, es necesario seguir las precauciones de seguridad básicas, incluidas las que se indican a continuación, para reducir el riesgo de incendios, descargas eléctricas, lesiones personales y daños materiales.

¡Advertencia! Cuando utilice el aparato, debe seguir las normas de seguridad. Por su propia seguridad y por la de otras personas, lea estas instrucciones antes de utilizar el aparato.

Conserve estas instrucciones para consultarlas en un futuro.

- ◆ Este aparato no se destina al uso por parte de personas (incluyendo los niños) con capacidades físicas, sensoriales o mentales reducidas, o que carezcan de experiencia o del conocimiento necesario, a menos que estén supervisadas o reciban las instrucciones relativas al uso del aparato por una persona encargada de su seguridad.
- ◆ Los niños deben vigilarse en todo momento para garantizar que el aparato no se toma como elemento de juego.
- ◆ Si se dañara el cable de alimentación, deberá ser sustituido por el fabricante o por un centro de asistencia técnica autorizado de BLACK+DECKER para evitar cualquier situación de riesgo.

- ◆ Lea todo el manual detenidamente antes de utilizar el aparato.
- ◆ En este manual se describe el uso para el que se ha diseñado el aparato. La utilización de accesorios o acoplamientos y la realización de operaciones distintas a las recomendadas en este manual de instrucciones con este aparato pueden conllevar el riesgo de lesiones.
- ◆ Conserve este manual para futuras consultas.

Uso del aparato

Tenga siempre cuidado al utilizar el aparato.

- ◆ Este aparato está pensado para utilizarse con la supervisión correspondiente en el caso de menores o personas que no cuentan con la fuerza necesaria.
- ◆ Este aparato no es un juguete.
- ◆ Evite que los niños y animales se acerquen a la zona de trabajo y toquen el aparato o el cable de alimentación.
- ◆ Tenga cuidado cuando utilice el aparato cerca de los niños.
- ◆ Utilícelo únicamente en lugares secos. Tenga cuidado de no mojar el aparato.
- ◆ No sumerja el aparato en agua.
- ◆ No abra la carcasa. Este aparato no contiene piezas que puedan ser reparadas por el usuario.
- ◆ No utilice el aparato en un entorno con peligro de explosión, en el que se encuentren líquidos, gases o materiales en polvo inflamables.

- ◆ Para evitar dañar las clavijas y los cables, no tire del cable para extraer la clavija de la toma de corriente.

- ◆ Tenga cuidado cuando revise las cuchillas porque, aunque la fuente de alimentación esté desconectada, aún pueden moverse.

Después del uso

- ◆ Cuando no utilice el aparato, debe guardarlo en un lugar seco, bien ventilado y alejado del alcance de los niños.
- ◆ Los niños no deben tener acceso a los aparatos guardados.
- ◆ Cuando guarde o transporte el aparato en un vehículo, deberá colocarlo en el maletero o sujetarlo, para evitar movimientos producidos por cambios repentinos en la velocidad o la dirección.

Inspecciones y reparaciones

- ◆ Antes de utilizar el aparato, compruebe que no tenga piezas dañadas ni defectuosas. Compruebe que no haya piezas rotas, que los interruptores no estén dañados y que no existan otros defectos que puedan afectar al funcionamiento del aparato.
- ◆ No utilice el aparato si presenta alguna pieza dañada o defectuosa.
- ◆ Solicite al servicio técnico autorizado la reparación o sustitución de las piezas dañadas o defectuosas.
- ◆ Nunca intente extraer ni sustituir ninguna pieza que no esté especificada en este manual.
- ◆ Tenga cuidado durante el ajuste del cortacésped para evitar que se le enganchen los dedos entre las cuchillas o piezas en movimiento y las piezas fijas del aparato.

Instrucciones de seguridad adicionales para cortacéspedes

- ◆ Cuando utilice el cortacésped, agarre firmemente el manillar con ambas manos.
- ◆ Si en algún momento resulta necesario inclinar el cortacésped, asegúrese de mantener ambas manos en la posición de trabajo mientras el cortacésped se encuentre inclinado. Mantenga ambas manos en la posición de trabajo hasta que el cortacésped vuelva a quedar correctamente colocado en el suelo.
- ◆ No utilice nunca el cortacésped si lleva puestos los auriculares de un dispositivo de radio o de música.
- ◆ No intente nunca ajustar la altura de una rueda con el motor en marcha o cuando la llave de seguridad está puesta en el interruptor.
- ◆ Si el cortacésped se detiene, suelte la maneta para apagarlo, espere a que la cuchilla se detenga y retire la llave de seguridad antes de intentar desatascar el conducto de descarga o retirar algún objeto de debajo de la plataforma.
- ◆ Mantenga las manos y los pies alejados de la zona de corte.
- ◆ Mantenga las cuchillas afiladas. Utilice guantes protectores cuando manipule la cuchilla del cortacésped.
- ◆ Si utiliza el colector de césped,

compruebe su estado de manera periódica para evitar que se desgaste y se deteriore. Si está muy desgastado, por razones de seguridad, deberá sustituirlo con un nuevo colector de hierba.

- ◆ Extreme las precauciones cuando gire el cortacésped o cuando lo tire en dirección hacia usted.
- ◆ No coloque las manos ni los pies cerca o debajo del cortacésped. Manténgase alejado de la apertura del mecanismo de descarga en todo momento.
- ◆ Limpie el área donde va a utilizar el cortacésped de objetos tales como piedras, bastones, cables, juguetes, huesos, etc., que podrían salir despedidos cuando la cuchilla pase por encima de ellos. Los objetos golpeados por la cuchilla pueden causar graves lesiones personales. Manténgase detrás del manillar cuando el motor está en marcha.
- ◆ No utilice el cortacésped si está descalzo o con sandalias. Lleve siempre un calzado adecuado.
- ◆ No tire del cortacésped hacia atrás si no es absolutamente necesario. En ese caso, mire siempre abajo y detrás antes y cuando retroceda.
- ◆ Evite que el material descargado vaya a parar encima de ninguna persona. No descargue el material contra una pared o una obstrucción, ya que podría rebotar hacia usted. Suelte la

maneta para parar el cortacésped y la cuchilla cuando pase por encima de superficies con grava.

- ◆ No utilice la herramienta sin el colector de hierba, el protector de descarga, el protector trasero u otros dispositivos de seguridad colocados y en funcionamiento. Revise periódicamente todos los protectores y dispositivos de seguridad para comprobar que se encuentren en buen estado, funcionen correctamente y cumplan la función prevista. Sustituya los protectores o dispositivos de seguridad dañados antes de seguir usando la herramienta.
- ◆ No deje nunca desatendido el cortacésped en funcionamiento. Retire siempre la llave de seguridad si va a dejar el cortacésped desatendido.
- ◆ Suelte siempre la maneta para parar el motor, espere a que la cuchilla se detenga por completo y retire la llave de seguridad antes de limpiar el cortacésped, retirar la bolsa colectora, desatascar el protector de descarga, dejar de utilizar el cortacésped o realizar algún ajuste, reparación o revisión.
- ◆ Utilice el cortacésped únicamente a la luz del día o con iluminación artificial adecuada y cuando los objetos que están en la ruta de la cuchilla sean claramente visibles desde la zona de operación del cortacésped.
- ◆ No utilice el cortacésped si está bajo el efecto de alcohol o drogas o cuando esté cansado o enfermo. Esté siempre

alerta, mire lo que hace y use el sentido común.

- ◆ Evite las situaciones peligrosas. No utilice nunca el cortacésped sobre hierba mojada o húmeda, ni bajo la lluvia. Manténgase en todo momento firmemente apoyado en el suelo y no corra.
- ◆ Si el cortacésped empieza a vibrar de forma anormal, suelte la maneta, espere a que la cuchilla se detenga y retire la llave de seguridad antes de intentar encontrar la causa de la vibración. La vibración suele indicar la presencia de un problema. Consulte la guía de solución de problemas para obtener indicaciones en caso de que se produzca una vibración anómala.
- ◆ Lleve siempre protección ocular y respiratoria cuando utilice el cortacésped.
- ◆ El uso con cualquier accesorio o acoplamiento no recomendado para este cortacésped puede resultar peligroso. Utilice solamente accesorios aprobados por BLACK+DECKER.
- ◆ Sea precavido cuando utilice el cortacésped. Mantenga un apoyo firme sobre el suelo y conserve el equilibrio en todo momento cuando utilice el cortacésped.
- ◆ Trabaje en sentido transversal a la pendiente, nunca hacia arriba o abajo. Tenga sumo cuidado al cambiar de sentido en las pendientes.
- ◆ Permanezca atento a los agujeros, los surcos, los baches, las rocas y otros objetos ocultos. Las superficies

irregulares pueden provocar resbalones y caídas. El césped alto puede ocultar obstáculos.

- ◆ No utilice el cortacésped con hierba húmeda ni en pendientes muy pronunciadas. El uso de calzado poco adecuado puede provocar resbalones y caídas.
- ◆ No utilice el cortacésped cerca de pendientes pronunciadas, acequias o terraplenes. Podría perder el equilibrio o caerse.
- ◆ Deje enfriar siempre el cortacésped antes de guardarlo.

Riesgos residuales.

El uso de esta herramienta puede producir riesgos residuales adicionales no incluidos en las advertencias de seguridad adjuntas. Estos riesgos se pueden generar por un uso incorrecto, demasiado prolongado, etc.

El cumplimiento de las normas de seguridad correspondientes y el uso de dispositivos de seguridad no evitan ciertos riesgos residuales. Dichos riesgos incluyen:

- ◆ Lesiones producidas por el contacto con piezas móviles o giratorias.
- ◆ Lesiones producidas al cambiar cualquier pieza, hoja o accesorio.
- ◆ Lesiones producidas al usar una herramienta por un tiempo demasiado prolongado. Si utiliza una herramienta durante períodos de tiempo demasiado prolongados, asegúrese de realizar pausas con frecuencia.
- ◆ Deterioro auditivo.

- ◆ Riesgos para la salud producidos al respirar el polvo que se genera al usar la herramienta (por ejemplo: en los trabajos con madera, especialmente de roble, haya y tableros de densidad mediana).



Potencia acústica garantizada conforme a la Directiva 2000/14/CE.

Instrucciones de seguridad adicionales para baterías y cargadores

Baterías

- ◆ Nunca intente abrir la batería por ningún motivo.
- ◆ No exponga la batería al agua.
- ◆ No exponga la batería al calor.
- ◆ No guarde la batería en lugares en los que la temperatura pueda superar los 40 °C.
- ◆ Realice la carga únicamente a una temperatura ambiente de entre 10 °C y 40 °C.
- ◆ Para realizar la carga, utilice únicamente el cargador suministrado con el aparato o la herramienta. La utilización de un cargador incorrecto puede producir una descarga eléctrica o el recalentamiento de la batería.
- ◆ Para desechar las baterías, siga las instrucciones facilitadas en la sección “Protección del medioambiente”.
- ◆ No dañe ni deforme la batería con perforaciones o golpes, pues ello puede causar riesgo de incendio y lesiones.
- ◆ No cargue baterías dañadas.
- ◆ Es posible que se produzcan fugas en las baterías en condiciones extremas. Cuando observe que se producen fugas en las baterías, limpie

Símbolos de advertencia

Junto con el código de la fecha, en la herramienta aparecen los siguientes símbolos:



¡Advertencia! Lea el manual antes de utilizar el aparato.



No exponga el aparato a la lluvia ni a una humedad elevada.



Tenga cuidado con las cuchillas afiladas. Retire siempre la llave de seguridad antes de limpiar el cortacésped, retirar la bolsa colectora, desatascar el protector de descarga, dejar de utilizar el cortacésped o realizar algún ajuste, reparación o revisión.



Tenga cuidado con los objetos que salen volando. Mantenga a otras personas alejadas de la zona de corte.



Póngase protección para los ojos



Una vez apagada la máquina, las cuchillas continuarán girando.

cuidadosamente el líquido con un paño. Evite el contacto con la piel.

- ◆ En caso de contacto con la piel o los ojos, siga las instrucciones facilitadas a continuación.

¡Advertencia! El líquido de la batería puede provocar lesiones o daños materiales. En caso de contacto con la piel, lave la zona afectada con agua inmediatamente. Si se produce enrojecimiento, dolor o irritación, solicite atención médica. En caso de contacto con los ojos, lave la zona inmediatamente con agua limpia y solicite atención médica.



No intente cargar baterías dañadas.

Cargadores

El cargador ha sido diseñado para un voltaje específico.

Compruebe que el voltaje de red corresponda al voltaje indicado en la placa de datos.

¡Advertencia! No intente sustituir el cargador por un enchufe convencional para la red eléctrica.

- ◆ Use el cargador BLACK+DECKER para cargar solo la batería del aparato o herramienta con el que le fue suministrado. Otras baterías podrían explotar y provocar lesiones y daños materiales.
- ◆ Nunca intente cargar baterías no recargables.
- ◆ Si se daña el cable de alimentación, para evitar riesgos, deberá sustituirlo el fabricante o un centro

de servicio técnico autorizado de BLACK+DECKER.

- ◆ No exponga el cargador al agua.
- ◆ No abra el cargador.
- ◆ No aplique ningún dispositivo para medir la resistencia del cargador.
- ◆ Durante la carga, el aparato, la herramienta o la batería deben colocarse en una zona bien ventilada.



El cargador ha sido concebido para utilizarse únicamente en un lugar interior.



Lea el manual de instrucciones antes de usar el producto.

Seguridad eléctrica



El cargador presenta un aislamiento doble; por lo tanto, no requiere conexión a tierra. Compruebe siempre que el voltaje de la red eléctrica corresponda al valor indicado en la placa de características. No intente sustituir el cargador por un enchufe convencional para la red eléctrica.

Características

Este aparato incluye una o más de las siguientes características.

1. Llave de seguridad
2. Maneta
3. Mecanismo de liberación del desbloqueo
4. Manillar
5. Grapas sujetacable
6. Manillar superior
7. Enganche de liberación rápida del manillar superior
8. Indicador de caja colectora de césped llena

9. Caja colectora de césped
10. Manillar inferior
11. Enganche de liberación rápida del manillar inferior
12. Compuerta trasera accionada por resorte
13. Manilla de ajuste de altura
14. Tapa de la batería
15. Mecanismo de liberación de la tapa de la batería
16. Asa

Montaje

¡Advertencia! Antes de proceder al montaje, compruebe que la herramienta esté apagada y que haya retirado la llave de seguridad y la batería.

Montaje de la caja colectora de césped (Fig. A - C)

Para poder utilizar la caja colectora de césped, primero hay que montarla. Está compuesta de 3 piezas.

- ◆ Junte los dos lados de la caja colectora de césped (9) (Fig. A). Asegúrese de que todas las guías y sujeciones estén alineadas.
- ◆ Alinee la tapa (17) con la caja colectora de césped montada. Asegúrese de que las guías y las sujeciones estén alineadas.

Nota: Tenga mucho cuidado al alinear las sujeciones en la parte posterior de la caja colectora de césped.

- ◆ Presione la tapa para asegurar todas las sujeciones. Al hacerlo, proceda de la parte delantera a la trasera. Asegúrese de que todas las sujeciones están bien ubicadas.

Montaje del manillar inferior (Fig. D y E)

- ◆ Retire los enganches de liberación rápida del manillar inferior (11) de la base del cortacésped.
- ◆ Coloque el manillar inferior (10) alrededor de la base, asegurándose de que las tres muescas (18) del manillar inferior (10) estén orientadas hacia arriba.
- ◆ Atornille los enganches de liberación rápida del manillar inferior (11) en la base del cortacésped atravesando el manillar. Sin apretarlos del todo, ciérrelos (Fig. E), asegurándose de que los dientes del manillar y la base queden bloqueados. Si la conexión entre el manillar y los enganches de liberación rápida está demasiado apretada o demasiado floja, ajuste la profundidad de los enganches y vuelva a cerrarlos hasta que los dientes queden completamente cerrados.

Montaje del manillar superior (Fig. F y G)

- ◆ Fije el manillar superior (6) en el inferior (10) mediante los enganches de liberación rápida del manillar superior (7) y las tuercas de fijación (19), como se muestra en la ilustración.
- ◆ Atornille los enganches de liberación rápida del manillar superior (7) en las tuercas de enganche (20) a través del

manillar inferior. Sin apretarlos del todo, ciérrelos (Fig. G). Si la conexión entre el manillar y los enganches de liberación rápida está demasiado apretada o demasiado floja, ajuste la profundidad de los enganches y vuelva a cerrarlos hasta que los dientes estén completamente cerrados.

Ajuste de altura del manillar (Fig. H)

- ◆ Suelte el enganche de liberación rápida del manillar inferior como se indica.
- ◆ Levante o baje el manillar inferior para colocarlo en una de las tres posiciones marcadas junto a los enganches de liberación rápida del manillar.
- ◆ Cierre los enganches de liberación rápida del manillar inferior (11) y asegúrese de que los dientes del manillar y la base queden bloqueados. Si la conexión entre el manillar y los enganches de liberación rápida está demasiado apretada o demasiado floja, ajuste la profundidad de los enganches y vuelva a cerrarlos hasta que los dientes estén completamente cerrados.

Fijación del cable del motor

El cable del motor debe fijarse usando el sujetacable.

- ◆ Fije el cable en los manillares superior e inferior sujetándolo al sujetacable (5).

Montaje de la caja colectora de césped (Fig. I y J)

- ◆ Levante la solapa de vaciado de hierba (12) y coloque la caja colectora de césped (9) sobre los salientes (20).

Ajuste de altura de la rueda (Fig. K y L)

El cortacésped dispone del sistema de ajuste de altura BLACK+ DECKER Easy. Este sistema permite ajustar las cuatro ruedas al mismo tiempo.

El cortacésped dispone de seis posiciones de ajuste de la altura de la cuchilla (entre 30 mm y 80 mm). Consulte la escala que hay en el lateral del cortacésped. El puntero indicará el ajuste de la altura de corte del césped. Este ajuste puede utilizarse como referencia para la próxima vez que desee cortar el césped a la misma altura.

- ◆ Suelte la maneta (2) para apagar el cortacésped, espere a que la cuchilla se detenga y retire la llave de seguridad (1).
- ◆ Para aumentar o reducir la altura de corte, coloque la palma de la mano en el apoyamanos (21) y tire de la palanca de ajuste de altura (13) en dirección contraria al cuerpo del cortacésped.
- ◆ Mueva la palanca de ajuste de altura (13) hasta la posición deseada y, a continuación, empujela hacia el cuerpo del cortacésped.

Nota: Asegúrese de que el cortacésped quede bloqueado firmemente en una de las seis posiciones.

Extracción e inserción de la batería (Fig. O)

Antes de extraer la batería:

- ◆ Coloque el cortacésped sobre una superficie nivelada.
- ◆ Suelte la maneta (2) para apagar el cortacésped, espere a que la cuchilla se detenga y retire la llave de seguridad (1).

Para extraer la batería:

- ◆ Tire del mecanismo de liberación de la tapa de la batería (15) hacia la parte delantera del cuerpo del cortacésped y levante la tapa (14).
- ◆ Extraiga la batería (22) del cortacésped.

Para instalar la batería

- ◆ Tire del mecanismo de liberación de la tapa de la batería (15) hacia la parte delantera del cuerpo del cortacésped y levante la tapa (14).
- ◆ Deslice la batería (22) en el interior del cortacésped (la batería se puede colocar solo en una dirección).

Uso

¡Advertencia! Deje que el aparato funcione a su ritmo. No la sobrecargue.

Carga de la batería (Fig. M)

Es necesario cargar la batería antes del primer uso y cada vez que note que no dispone de suficiente potencia para las tareas que antes realizaba con facilidad. Es posible que la batería se caliente durante la carga; esto es normal y no denota ningún problema.

¡Advertencia! No cargue la batería si la temperatura ambiente es inferior a 10 °C o superior a 40 °C. La temperatura de carga recomendada es de aproximadamente 24 °C.

Nota: El cargador no cargará la batería si la temperatura de la batería es inferior a 0 °C o superior a 40 °C aproximadamente.

Deje la batería en el cargador y este empezará a cargarla automáticamente cuando la temperatura de la batería aumente o disminuya.

- ◆ Para cargar la batería (22), insértela en el cargador (23). La batería encaja en el cargador solo en un sentido. No la fuerce. Asegúrese de que la batería queda perfectamente encajada en el cargador.
- ◆ Enchufe el cargador y conéctelo a la red eléctrica.

El indicador de carga (24) parpadeará en verde de forma continua (lentamente).

La carga habrá finalizado cuando el indicador de carga (24) se ilumine en verde de manera continua. El cargador y la batería pueden permanecer conectados en modo indefinido con el LED iluminado. El indicador LED pasará a parpadear en verde (estado de carga), ya que el cargador completa la

carga de la batería ocasionalmente. El indicador de carga (24) permanecerá encendido siempre que la batería esté conectada al cargador y este último permanezca enchufado.

- ◆ Cargue las baterías descargadas en el plazo de 1 semana. La duración de la batería disminuirá considerablemente si se la guarda descargada.

Dejar la batería en el cargador

El cargador y la batería pueden permanecer conectados durante un periodo de tiempo indefinido con el indicador de LED iluminado. El cargador mantiene la batería a baja temperatura y completamente cargada.

Diagnóstico del cargador

Si el cargador detecta que la batería dispone de poca energía o está dañada, el indicador de carga (24) parpadeará en rojo a gran velocidad.

Realice el procedimiento siguiente:

- ◆ Vuelva a insertar la batería (22).
- ◆ Si los indicadores de carga siguen parpadeando en rojo velozmente, utilice otra batería para determinar si el proceso de carga se efectúa correctamente.
- ◆ Si la batería sustituida se carga correctamente, significará que la batería original está defectuosa y que debe devolverla al centro de servicio para su reciclado.
- ◆ Si el cargador muestra la misma indicación con la batería nueva, llévelo a un centro de servicio autorizado para que lo revisen.

Nota: Se pueden tardar hasta 30 minutos en determinar que la batería está defectuosa.

Si la batería está demasiado caliente o demasiado fría, el LED alternará parpadeos en rojo, rápidos y lentos, con un destello en cada rango de velocidad, y se repetirá la secuencia.

Indicador del estado de carga (Fig. N)

La batería incluye un indicador del estado de la carga. Se puede utilizar para visualizar el nivel actual de la carga de la batería durante el uso y durante la carga.

- ◆ Pulse el botón del indicador del estado de la carga (25).

Llave de seguridad (Fig. P)

Extraiga la llave de seguridad:

- ◆ Cuando deje el aparato desatendido.
- ◆ Antes de limpiar una obstrucción.
- ◆ Antes de comprobar, limpiar o realizar trabajos en el aparato.
- ◆ Después de golpear un objeto extraño.
- ◆ Si el aparato comienza a vibrar de manera anómala.

Encendido y apagado (Fig. P y Q)

¡Advertencia! Cuchilla móvil afilada. Nunca intente detener el funcionamiento de este interruptor ni del sistema de la llave de seguridad pues podrían producirse lesiones graves.

Encendido

- ◆ Introduzca la llave de seguridad (1) completamente dentro del interruptor.
- ◆ Pulse el botón de liberación de desbloqueo (3) que se encuentra en la parte superior del interruptor.
- ◆ Tire de la maneta de la cuchilla (2) hacia el manillar (4).

Apagado

- ◆ Para apagar el cortacésped, suelte la maneta de la cuchilla (2).

En cuanto la maneta (2) regrese a la posición original, activará el mecanismo de freno automático. El motor se frena eléctricamente y la cuchilla del cortacésped dejará de girar en 3 segundos o menos.

Indicador de caja colectora de césped llena (Fig. R)

El cortacésped tiene un dispositivo que permite ver con facilidad cuándo la caja colectora de césped está llena y hay que vaciarla.

- ◆ Cuando el cortacésped está en marcha y la caja colectora de césped está vacía, el indicador se encuentra en la posición abierta (26).
- ◆ Cuando el cortacésped está en marcha y la caja colectora de césped está llena, el indicador se encuentra en la posición cerrada (27).

Consejos para un uso óptimo

- ◆ El primer corte se debe realizar en primavera cuando el césped tiene aproximadamente entre 63 mm y 76 mm de altura. De lo contrario, si se corta el césped demasiado temprano, se limitan los sistemas radiculares del césped que se renuevan cada primavera. El césped nuevo se debe cortar cuando alcanza una altura de aproximadamente 63 mm.
- ◆ No corte el césped de una altura excesiva de una sola vez. La pauta a seguir es no cortar nunca más de 1/3 de la altura de la cuchilla durante cada sesión de corte. El corte de césped demasiado corto da como resultado un sistema radicular de poca profundidad, lo que hace que el césped tenga dificultades para alcanzar el agua del suelo.
- ◆ Corte el césped cuando esté seco para evitar la compactación del césped húmedo. Si puede elegir, la última hora de la tarde es la hora ideal para cortar el césped, no sólo porque la hierba está seca, sino porque además el área recientemente cortada no queda expuesta a la intensa luz solar.
- ◆ Para lograr un corte limpio, mantenga la hoja de corte afilada. De este modo se optimiza el rendimiento del cortacésped y se realza el aspecto del césped. Una cuchilla sin filo destroza y daña las puntas del césped. De este modo, se perjudica el crecimiento saludable del césped y se incrementa su sensibilidad a desarrollar enfermedades. Las puntas dañadas producen un

color amarillado que otorga al césped un aspecto poco saludable. Las cuchillas sin filo también pueden desenterrar las hierbas recién nacidas.

- ◆ Trate de cortar el césped siempre a la misma altura de corte. Si bien hay momentos en que debe variar la altura de corte debido al cambio de estaciones, respetar una altura de corte uniforme permite obtener un césped más sano, de mejor aspecto y con menor cantidad de malezas. Corte el césped más frecuentemente durante los períodos de crecimiento rápido. El corte frecuente garantiza que la parte inferior y menos atractiva del césped no sea visible.
- ◆ Si el césped ha crecido a una altura excesiva, por ejemplo, durante las vacaciones, realice el corte con una altura una o dos posiciones más altas que la posición habitual. Una segunda pasada con una altura de corte normal unos días más tarde, será suficiente para volver al programa de corte habitual.

El cambio de la altura de corte es sumamente sencillo gracias al sistema de ajuste de la altura de BLACK+DECKER One Touch Wheel Height Adjustment, que permite ajustar las cuatro ruedas de una sola vez.

- ◆ Durante la primavera y el otoño, o después de una interrupción del programa de cortes, el césped estará más largo y más tupido. Si percibe que el motor reduce su velocidad continuamente durante la sesión de corte, intente ajustar las ruedas a una altura mayor de corte. Una excesiva carga del motor puede dar como resultado un corte desigual, la descarga más rápida de la batería y la sobrecarga del motor, lo cual provocará la detención del motor.
- ◆ A continuación se indican tres buenas maneras de mejorar el aspecto del césped: Varíe la dirección de corte con frecuencia, corte en dirección horizontal en las laderas (esto es también una buena práctica de seguridad) y no se olvide de superponer el recorrido de corte en cada pasada.

Sugerencias para el corte

Nota: Examine siempre el área donde vaya a utilizar el cortacésped y retire las piedras, palos, alambres, huesos o demás restos que podrían ser expulsados por la cuchilla en rotación.

- ◆ Trabaje en sentido transversal a la pendiente, nunca hacia arriba o abajo. Tenga sumo cuidado al cambiar de sentido en las pendientes. No corte el césped en cuestas demasiado pronunciadas. Apoye los pies siempre en un lugar firme y seguro.
- ◆ Suelte la maneta (2) para apagar el cortacésped al cruzar un área cubierta con grava, ya que la cuchilla en rotación puede expulsar las piedras.
- ◆ Para cortar el césped en terreno escabroso o con malezas altas, seleccione la máxima altura de corte.

Cuando se intenta cortar demasiada cantidad de césped de una vez, es posible que el motor se sobrecargue, lo cual provocará que el cortacésped se detenga. Consulte la guía de solución de problemas. Si en la estación de crecimiento rápido se utiliza la caja colectora de césped (9), es posible que la hierba provoque atascos en la abertura de descarga.

- ◆ Suelte la maneta (2) para apagar el cortacésped y retire la llave de seguridad (1).
- ◆ Extraiga la caja colectora de césped (9) y sacúdala para que el césped se deposite en el fondo de la bolsa.
- ◆ Limpie el césped y los residuos que se hayan compactado alrededor de la abertura de descarga.
- ◆ Vuelva a colocar la caja colectora (9).

Si el cortacésped comienza a vibrar de manera anormal:

- ◆ Suelte la maneta (2) inmediatamente para apagar el cortacésped, retire la llave de seguridad (1) y la batería (22).
- ◆ Investigue la causa de las vibraciones. La vibración indica la presencia de un problema. No utilice el cortacésped hasta que no se haya realizado un control de mantenimiento en él. Consulte la guía de solución de problemas en el manual.

Nota: Cada vez que deje de usar el cortacésped, aunque sea durante un periodo de tiempo breve, suelte siempre la maneta para apagarlo y retire la llave de seguridad.

Las sugerencias indicadas a continuación le ayudarán a optimizar el tiempo de funcionamiento del cortacésped inalámbrico:

- ◆ Reduzca la velocidad en las áreas donde el césped esté demasiado alto o sea demasiado tupido.
- ◆ Evite cortar el césped cuando esté mojado.
- ◆ Corte el césped a menudo, especialmente durante los periodos de crecimiento rápido.

Mantenimiento

Su aparato o herramienta con o sin cable de BLACK+DECKER ha sido diseñada para funcionar durante un largo periodo de tiempo con un mantenimiento mínimo. El funcionamiento satisfactorio continuado depende de un cuidado apropiado y una limpieza periódica de la herramienta o aparato.

El cargador no requiere ningún mantenimiento especial excepto la limpieza periódica.

¡Advertencia! Antes de realizar el mantenimiento de herramientas eléctricas con o sin cables:

- ◆ Apague y desenchufe el aparato o herramienta.
- ◆ O bien, deje que la batería se agote por completo si es integral y, a continuación, apague la máquina.
- ◆ Desenchufe el cargador antes de limpiarlo. El cargador no requiere ningún mantenimiento especial excepto la limpieza periódica.
- ◆ Limpie periódicamente las ranuras de ventilación de la

herramienta/aparato y del cargador con un cepillo suave o un paño seco.

- ◆ Limpie periódicamente la carcasa del motor con un paño húmedo. No utilice limpiadores abrasivos o a base de disolventes.
- ◆ Utilice periódicamente un raspador sin filo para eliminar los restos de hierba y la suciedad acumulada debajo del protector.

Extracción e instalación de la cuchilla (Fig. S, T y U)

¡Advertencia! No toque la cuchilla antes de extraer la llave de seguridad y de que las cuchillas se hayan detenido completamente.

- ◆ Suelte la maneta (2) para apagar el cortacésped, espere a que la cuchilla se detenga y retire la llave de seguridad (1).
- ◆ Corte un trozo de madera (de aproximadamente 50 mm x 100 mm x 600 mm de longitud) para impedir que la cuchilla gire al extraer la tuerca con brida (29).
- ◆ Voltee el cortacésped sobre uno de los lados.

¡Advertencia! Utilice guantes y gafas de protección adecuadas. Tenga cuidado con los bordes afilados de la cuchilla.

- ◆ Coloque la madera (28) y extraiga la tuerca con brida (29) usando una llave fija de 13 mm (Fig. S).
- ◆ Extraiga la arandela (30), la cuchilla (31), la guía de cuchilla cuadrada (32) y el ventilador (33) (Fig. T). Examine la guía de la cuchilla (32) y el ventilador (33) para ver si están dañados y reemplazarlos si es necesario.

Cuando instale la cuchilla, asegúrese de que el lado del césped de esta (indicado por las flechas en cada uno de los extremos) quede orientado hacia el suelo cuando coloque el cortacésped en su posición vertical normal.

- ◆ Instale el ventilador (33). Coloque siempre las palas del ventilador (34) de manera que miren hacia el cortacésped.
- ◆ Instale la guía de la cuchilla (32). Coloque siempre las clavijas en forma de "D" (35) de manera que miren hacia fuera, en la dirección contraria al cortacésped.
- ◆ Asegúrese de alinear las partes planas del ventilador (33) y la guía de la cuchilla (32) con las partes planas del eje.
- ◆ Coloque la cuchilla (31) en su guía (32) con las flechas orientadas hacia fuera.
- ◆ Coloque la pieza de madera (28) para impedir que la cuchilla (31) gire (Fig. U).
- ◆ Coloque la arandela (30) y la tuerca con brida (29) y, a continuación, apriételas con una llave de 13 mm.

Cómo afilar la cuchilla (Fig. V)

Para optimizar el rendimiento del cortacésped, mantenga la cuchilla afilada. Una cuchilla desafilada no produce un corte limpio del césped ni cortes adecuados para mantillo.

¡Advertencia! Asegúrese siempre de haber retirado la llave de seguridad.

¡Advertencia! Utilice protección ocular apropiada para extraer, afilar e instalar la cuchilla.

En situaciones normales, por lo general, es suficiente afilar la cuchilla dos veces durante la temporada de corte. La arena provoca que la cuchilla se desafilé rápidamente. Si su terreno es de suelo arenoso, es probable sea necesario afilarla con más frecuencia.

- ◆ Si la cuchilla está curvada o dañada, reemplácela de inmediato.

Para afilar la cuchilla:

- ◆ Asegúrese de que la cuchilla esté equilibrada.
- ◆ Afíle la cuchilla en el ángulo de corte original.
- ◆ Afíle los bordes de corte en ambos extremos de la cuchilla y retire la misma cantidad de material en ambos extremos.

Para afilar la cuchilla en un tornillo de banco

(Fig. V)

- ◆ Suelte la maneta (2) para apagar el cortacésped y espere a que la cuchilla se detenga completamente.
- ◆ Retire la llave de seguridad (1) y la batería (22) y voltee el cortacésped sobre uno de sus lados.
- ◆ Retire la cuchilla (31) del cortacésped, consulte las instrucciones para retirar e instalar las cuchillas.

¡Advertencia! Utilice guantes y una protección ocular adecuada, y tenga cuidado con los bordes afilados de la cuchilla.

- ◆ Coloque la cuchilla (31) en un torno.
- ◆ Lime con cuidado los bordes cortantes de la cuchilla mediante una lima de dientes finos o una piedra de afilar, conservando siempre el borde de corte original.
- ◆ Compruebe que la cuchilla esté equilibrada. Consulte las instrucciones correspondientes.
- ◆ Coloque la cuchilla (31) en el cortacésped y apriétela firmemente. Consulte las instrucciones para retirar e instalar las cuchillas.

Equilibrio de la cuchilla (Fig. W)

- ◆ Coloque el orificio central de la cuchilla en un clavo o en un destornillador de cuerpo redondo previamente asegurados en un tornillo de banco en dirección horizontal para comprobar el equilibrio de la cuchilla. Si alguno de los extremos de la cuchilla gira hacia abajo, lime ese extremo hasta equilibrar la cuchilla.

Lubricación

No es necesario realizar ningún tipo de lubricación. No engrase las ruedas. Tienen una superficie de rodamiento plástico que no necesita lubricación.

Limpieza

- ◆ Suelte la maneta (2) para apagar el cortacésped y espere a que la cuchilla se detenga completamente.
- ◆ Extraiga la llave de seguridad (1).
- ◆ Para limpiar el cortacésped, utilice únicamente jabón suave y un paño húmedo.
- ◆ Utilice una herramienta sin filo para retirar los recortes de césped que se hayan podido acumular en la parte inferior del cortacésped.
- ◆ Después de haber utilizado la unidad varias veces, revise las sujeciones externas para verificar que estén firmemente ajustadas.

Cómo evitar la corrosión

Los fertilizantes y otros productos químicos de jardinería contienen agentes que aceleran considerablemente la corrosión de los metales. Si utiliza el cortacésped en áreas donde se hayan aplicado fertilizantes u otros productos químicos, límpielo inmediatamente después de finalizar el trabajo del modo indicado a continuación:

- ◆ Suelte la maneta (2) para apagar el cortacésped y espere a que la cuchilla se detenga completamente.
- ◆ Extraiga la llave de seguridad (1).
- ◆ Limpie todas las piezas expuestas con un paño húmedo.

Transporte y almacenamiento

¡Advertencia! La cuchilla giratoria puede provocar lesiones graves.

Suelte la maneta para apagar el cortacésped y retire la llave de seguridad antes de levantarlo, transportarlo o almacenarlo. Guarde el cortacésped en un lugar seco.

Nota: El cortacésped resultará más ligero si se extrae la batería previamente. No utilice el seguro como punto de apoyo para levantar el cortacésped.

Almacenamiento

En climas cálidos, para lograr un rendimiento óptimo del cortacésped, es recomendable mantener la batería en modo de carga constante.

Es posible guardar la batería con el cargador desconectado si se cumplen las condiciones indicadas a continuación.

- ◆ La batería está completamente cargada antes de guardarla.
- ◆ La temperatura media del lugar de almacenamiento está por debajo de 10 °C (50 °F).

Resolución de problemas

Si nota que el aparato no funciona bien, siga las instrucciones que se indican a continuación. Si no se resuelve el problema, póngase en contacto con un técnico autorizado de BLACK+DECKER.

¡Advertencia! Antes de empezar, suelte la maneta para apagar el cortacésped, espere a que la cuchilla se detenga y retire la llave de seguridad.

Problema	Possible solución
La máquina no funciona.	Compruebe haber instalado la llave de seguridad y que esté bien colocada, y haber apretado el botón de desbloqueo a fondo antes de mover la manilla.
	Suelte la maneta para apagar el cortacésped. Retire la llave de seguridad y la batería, voltee el cortacésped y compruebe que la cuchilla gire libremente.
	Compruebe que la cavidad de la batería esté libre de restos y que la batería se encuentre correctamente colocada.
	¿La batería está completamente cargada? Enchufe el cargador y espere hasta a que se encienda la luz verde.
El motor se detiene mientras está cortando el césped.	Suelte la maneta para apagar el cortacésped. Retire la llave de seguridad y la batería. Voltee el cortacésped y compruebe que la cuchilla gire libremente.
	Eleve la altura de corte de las ruedas a la posición más alta y encienda el cortacésped.
	Compruebe que el compartimento de la batería esté libre de restos y que la batería esté correctamente conectada.
	¿La batería está completamente cargada? Pulse el botón del estado de la carga.
	No sobrecargue el cortacésped. Disminuya la velocidad de corte o aumente la altura de corte.
El aparato deja un acabado irregular o el motor trabaja con dificultad	¿La batería está completamente cargada? Pulse el botón del estado de la carga.
	Suelte la maneta para apagar el cortacésped. Retire la llave de seguridad y la batería. Voltee el cortacésped y compruebe lo siguiente: <ul style="list-style-type: none"> ◆ Que la cuchilla esté afilada. Mantenga la cuchilla afilada. ◆ Que no haya obstrucciones en la plataforma ni en el conducto de descarga.
	Es probable que la altura de las ruedas se haya fijado en una posición demasiado baja para el estado del césped. Eleve la altura de corte.
El cortacésped resulta difícil de empujar.	Suelte la maneta para apagar el cortacésped. Retire la llave de seguridad y la batería. Eleve la altura de corte para reducir el rozamiento de la plataforma contra el césped. Compruebe que cada rueda gire libremente.

Problema	Possible solución
El cortacésped produce vibraciones y ruidos inusuales.	Suelte la maneta para apagar el cortacésped. Retire la llave de seguridad y la batería. Voltee el cortacésped sobre uno de los lados y revise la cuchilla para asegurarse de que no esté curvada o dañada. Si la cuchilla está dañada, sustitúyala por una cuchilla de repuesto BLACK+DECKER. Si la parte inferior de la plataforma está dañada, envíe el cortacésped a un centro de mantenimiento BLACK+DECKER autorizado.
	Si no hay daños visibles en la cuchilla y el cortacésped todavía vibra: <ul style="list-style-type: none"> ◆ Suelte la maneta para apagar el cortacésped. ◆ Retire la llave de seguridad y la batería. ◆ Desmonte totalmente el conjunto de la cuchilla como se describe en la sección "Montaje y desmontaje de la cuchilla". ◆ Extraiga todos los restos y limpie cada pieza. ◆ Sustituya cada pieza como se describe en la sección "Montaje y desmontaje de la cuchilla".
	Si el cortacésped sigue vibrando, envíelo a un centro de mantenimiento BLACK+DECKER autorizado.
El cortacésped no recoge los recortes en la bolsa.	Conducto obstruido. Suelte la maneta para apagar el cortacésped. Retire la llave de seguridad y la batería. Limpie el conducto de recortes de hierba.
	Eleve la altura de corte de las ruedas para reducir la longitud del corte.
	Bolsa llena. Vacíe la bolsa con más frecuencia.

Protección del medioambiente



Recogida selectiva. Los productos y las baterías marcadas con este símbolo no se deben eliminar con la basura doméstica normal.

Si llegase el momento en que fuese necesario sustituir su producto Black & Decker o si este dejase de tener utilidad para usted, no lo deseche junto con los residuos domésticos. Saque el producto para la recogida selectiva.

La recogida selectiva de productos usados y embalajes permite que los materiales sean reciclados y utilizados nuevamente.

La reutilización de los materiales reciclados ayuda a prevenir la contaminación ambiental y reduce la demanda de materias primas.

Las normas locales pueden contemplar la recogida selectiva de los electrodomésticos en vertederos municipales o a través de los vendedores minoristas al comprar un producto nuevo. Black & Decker proporciona facilidades para la recogida y reciclado de los productos Black & Decker que han llegado al final de su vida útil. Para beneficiar de este servicio devuelva su producto a un agente de reparaciones autorizado, que lo recogerá en nuestro nombre.

Para consultar la dirección del agente de servicio técnico más cercano, póngase en contacto con la oficina local de Black & Decker en la dirección que se indica en este manual. Por otro lado, encontrará una lista de los talleres de reparación autorizados de BLACK+DECKER y todos los detalles de nuestro servicio de posventa y los contactos disponibles en Internet, en: www.2helpU.com

Cuando las baterías lleguen al final de su vida útil, deséchelas respetando el medioambiente:

- ◆ Deje que la batería se agote por completo y, a continuación, extráigala de la herramienta.
- ◆ Las baterías de níquel cadmio (NiCd), de hidruro de níquel-metal (NiMH) y de iones de litio son reciclables. Coloque las baterías en un embalaje adecuado de modo que los terminales no entren en contacto y provoquen un cortocircuito. Llévelas a cualquier centro de servicio técnico autorizado o a un punto de reciclaje local.
- ◆ Procure no provocar un cortocircuito entre los terminales de la batería.
- ◆ No arroje las baterías al fuego, ya que podría provocar daños personales o una explosión.

Datos técnicos

CLM3820		
Voltaje de entrada	V _{cc}	36 V
Velocidad sin carga	min ⁻¹	3500
Peso	kg	16,2
Batería		BL2036
Tensión	V _{cc}	36 V
Capacidad	Ah	2
Tipo		Iones de litio
Cargador		LCS36 tipo 1
Voltaje de entrada	V _{ca}	230 V
Voltaje de salida	V _{cc}	36 V
Corriente	A	1300
Tiempo de carga aproximado	h	1,0-2,0

Vibraciones ponderadas en mano/brazo:
= < 2,5 m/s², incertidumbre (K) = 1,5 m/s².

L_{wa} (presión sonora) 80 dB(A)
incertidumbre (K) = 3 dB(A)

Área de corte:

- ◆ Este cortacésped puede cortar hasta 300 m² con una sola batería de 2 Ah.
- ◆ Esta área (300 m²) se cubre con una sola batería de 2 Ah completamente cargada en condiciones secas y con la palanca de ajuste de altura en la posición 6 después de condiciones de crecimiento ligero.
- ◆ En condiciones húmedas, configuraciones de menor altura o condiciones de crecimiento intenso, el área de corte puede ser inferior a 300 m².

Declaración de conformidad CE
DIRECTIVA DE MÁQUINAS
DIRECTIVA SOBRE EL RUIDO EXTERIOR



Cortacésped CLM3820

Black & Decker declara que los productos descritos en "datos técnicos" cumplen las siguientes normas:
2006/42/CE, EN 60335-1:2012/A13:2017;
EN 60335-2-77:2010; EN 62233:2008
2000/14/CE, cortacésped, L < 50 cm, Anexo VI,
TÜV SÜD Industrie Service GmbH
Westendstraße 199, 80686 Múnich
País: Alemania
N.º del organismo notificado: 0036
LWA (potencia acústica medida) 92 dB(A),
Incertidumbre (K) = 2,25 dB(A),
L_{WA} (potencia acústica garantizada) 96 dB(A).

Estos productos también cumplen con la Directiva 2014/30/UE y 2011/65/UE. Para más información, póngase en contacto con Black & Decker en la siguiente dirección o consulte la parte posterior del manual.

El abajo firmante es el responsable de la compilación del archivo técnico y realiza esta declaración en representación de Black & Decker.

Patrick Diepenbach

Patrick Diepenbach
Director General, Benelux
Black and Decker,
Egide Walschaertsstraat 14-18
2800 Mechelen, Bélgica
2022.03.16

Garantía

Black & Decker confía en la calidad de sus productos y ofrece a los consumidores una garantía de 24 meses a partir de la fecha de compra. Esta garantía75 es adicional a sus derechos legales y no los menoscaba en modo alguno. La garantía es válida dentro de los territorios de los Estados Miembros de la Unión Europea y del Área de Libre Comercio Europea.

Para reclamar la garantía, deberá formular la reclamación de conformidad con las condiciones de Black & Decker, presentando el comprobante de compra al vendedor o al agente técnico autorizado. Puede obtener las condiciones de la garantía de 2 años de Black & Decker y la ubicación de su agente técnico autorizado más cercano en el sitio www.2helpU.com o poniéndose en contacto con su oficina local de Black & Decker en la dirección que se indica en este manual.

Visite nuestro sitio web www.blackanddecker.co.uk para registrar su nuevo producto Black & Decker y recibir noticias sobre nuevos productos y ofertas especiales. Utilização pretendida

O cortador de relva BLACK+DECKER CLM3820 foi concebido para cortar relva. Este equipamento destina-se apenas a utilização doméstica.

Utilização pretendida

O cortador de relva BLACK+DECKER CLM3820 foi concebido para cortar relva. Este equipamento destina-se apenas a utilização doméstica.

Instruções de segurança

Atenção! Ao utilizar equipamentos sem fio, deve sempre cumprir medidas de segurança básicas, incluindo as seguintes, de modo a reduzir os riscos de incêndio, choque eléctrico, ferimentos e danos materiais.

Atenção! Quando utilizar a máquina, tem de seguir as regras de segurança. Para sua segurança e das outras pessoas, leia estas instruções antes de utilizar a máquina.

Guarde as instruções num local seguro para futuras consultas.

- ◆ Este equipamento não deve ser utilizado por pessoas (incluindo crianças) com capacidades físicas, sensoriais ou mentais reduzidas ou com falta de experiência e conhecimentos, a menos que sejam acompanhadas ou tenham recebido formação sobre a utilização deste equipamento por uma pessoa responsável pela sua segurança.
- ◆ Esteja atento às crianças para que não brinquem com o equipamento.
- ◆ Se o cabo de alimentação estiver danificado, tem de ser substituído pelo fabricante ou por um centro de assistência autorizado da BLACK+DECKER para evitar acidentes.
- ◆ Leia com atenção todo o manual antes de utilizar o equipamento.

- ◆ A utilização prevista para este equipamento está descrita no manual. A utilização de qualquer acessório ou a execução de qualquer operação com este equipamento que não esteja incluída no presente manual de instruções pode representar um risco de ferimentos pessoais.
- ◆ Guarde este manual para referência futura.

Utilizar o equipamento

Tenha sempre cuidado quando utilizar este equipamento.

- ◆ Este equipamento não deve ser utilizado por jovens ou doentes sem supervisão.
- ◆ Este equipamento não deve ser utilizado como um brinquedo.
- ◆ Não deixe crianças ou animais aproximarem-se da área de trabalho ou tocarem no equipamento ou no cabo de alimentação.
- ◆ É necessária uma supervisão atenta se o equipamento for utilizado perto de crianças.
- ◆ Utilize-o apenas num local seco. Não permita que o equipamento fique molhado.
- ◆ Não mergulhe o equipamento em água.
- ◆ Não abra a caixa do equipamento. O equipamento não tem peças no interior que possam ser reparadas pelo utilizador.
- ◆ Não utilize o equipamento em áreas com risco de explosão, nas quais

se encontrem líquidos, gases ou poeiras inflamáveis.

- ◆ Para reduzir o risco de danos nas fichas e cabos, nunca puxe o cabo para remover a ficha de uma tomada.

Após a utilização

- ◆ Quando não for utilizado, o equipamento deve ser guardado num local seco e bem ventilado, longe do alcance das crianças.
- ◆ As crianças não devem ter acesso a equipamentos armazenados.
- ◆ Quando o equipamento for guardado ou transportado num veículo, deve ser colocado na bagageira ou fixo de maneira a evitar o movimento causado por alterações súbitas na velocidade ou direcção.

Inspeção e reparações

- ◆ Antes da utilização, verifique a existência de peças danificadas ou avariadas no equipamento. Verifique se há peças partidas, danos nos interruptores ou outro tipo de situações que possam afectar o funcionamento.
- ◆ Não utilize o equipamento se alguma das peças se encontrar danificada ou avariada.
- ◆ Mandar reparar ou substituir quaisquer peças danificadas ou avariadas por um técnico de reparação autorizado.
- ◆ Nunca retire ou substitua quaisquer peças que não sejam as especificadas neste manual.
- ◆ Cuidado durante o ajuste do cortador

para evitar ficar com os dedos presos entre lâminas/peças em movimento e peças fixas da máquina.

- ◆ Quando reparar as lâminas, tenha em atenção que, apesar da fonte de alimentação estar desligada, as lâminas podem deslocar-se.

Instruções de segurança adicionais para cortadores de relva

- ◆ Segure bem o manípulo com ambas as mãos quando estiver a manobrar o cortador de relva.
- ◆ Se, a qualquer altura, for necessário inclinar o cortador de relva, certifique-se de que ambas as mãos permanecem na posição de funcionamento do equipamento quando o cortador estiver inclinado. Mantenha ambas as mãos na posição de funcionamento do equipamento até o cortador de relva voltar a estar correctamente posicionado no chão.
- ◆ Nunca use auscultadores para ouvir rádio ou música enquanto estiver a manobrar o cortador de relva.
- ◆ Nunca faça um ajuste da altura da roda enquanto o motor estiver em funcionamento ou se a chave de segurança estiver na caixa do comutador.
- ◆ Se o cortador de relva encravar, liberte a barra dos fardos para desligar o cortador, aguarde até a lâmina parar e retire a chave de segurança, antes de tentar desobstruir o cano ou remover o que estiver abaixo da estrutura.

- ◆ Mantenha as mãos e os pés afastados da área de corte.
- ◆ Mantenha as lâminas afiadas. Utilize sempre luvas de protecção durante o manuseamento da lâmina do cortador de relva.
- ◆ Se estiver a utilizar o colector de relva, verifique-o regularmente quanto a indícios de desgaste e deterioração. Se estiver excessivamente usado, substitua-o por um novo colector de relva para sua segurança.
- ◆ Tenha muita atenção quando estiver a inverter ou a puxar o cortador de relva na sua direcção.
- ◆ Não coloque as mãos ou pés perto ou sob o cortador de relva. Mantenha-se sempre afastado da abertura de descarga.
- ◆ Limpe a área onde o cortador de relva vai ser usado retirando objectos como pedras, paus, cabos, brinquedos, ossos, etc., que poderão ser atirados pela lâmina.
Os objectos atirados pela lâmina podem causar ferimentos graves. Mantenha-se atrás do manípulo quando o motor estiver ligado.
- ◆ Não trabalhe com o cortador de relva descalço ou com sandálias. Utilize sempre calçado de segurança.
- ◆ Não faça andar para trás o cortador de relva, excepto se for absolutamente necessário. Olhe sempre para baixo e para trás antes e quando estiver a deslocar-se para trás.
- ◆ Nunca direcione os materiais descarregados para pessoas. Evite descarregar os materiais junto a uma parede ou outro elemento de obstrução. Os materiais poderão fazer ricochete contra o operador. Liberte a barra dos fardos para desligar o cortador de relva e pare a lâmina quando estiver a passar por superfícies com gravilha.
- ◆ Não trabalhe com o cortador de relva sem o colector de relva completo, protecção de descarga, protecção traseira ou outros dispositivos de segurança montados e a funcionar. Verifique periodicamente todas as protecções e dispositivos de segurança para garantir de que estão em bom funcionamento e de que irão funcionar correctamente e executar a respectiva função prevista. Substitua uma protecção danificada ou outro dispositivo de segurança antes da utilização do equipamento.
- ◆ Nunca deixe um cortador de relva em funcionamento sem vigilância. Remova sempre a chave de segurança no caso de o cortador ficar sem vigilância.
- ◆ Liberte sempre a barra dos fardos para parar o motor, aguarde até a lâmina parar por completo e retire a chave de segurança antes de limpar o cortador de relva, remover o saco de relva, desobstruir a protecção de descarga, quando deixar o cortador de relva ou antes de efectuar quaisquer ajustes, reparações ou inspecções.
- ◆ Utilize o cortador de relva apenas à luz do dia ou com uma boa luz artificial

desde que os objectos no percurso da lâmina fiquem claramente visíveis na área de funcionamento do cortador de relva.

- ◆ Não utilize o cortador de relva sob o efeito do álcool ou drogas, ou quando estiver cansado ou doente. Esteja sempre atento, preste atenção ao que está a fazer e use o bom senso.
- ◆ Evite ambientes perigosos. Nunca utilize o cortador de relva se a relva estiver húmida ou molhada, nunca utilize o cortador de relva à chuva. Tenha sempre cuidado ao deslocar-se, ande normalmente e nunca corra.
- ◆ Se o cortador de relva começar a vibrar anormalmente, liberte a barra dos fardos, aguarde até a lâmina parar, retire a chave de segurança e, em seguida, verifique imediatamente qual é a causa. A vibração é, geralmente, um sinal de problemas; consulte o guia de resolução de problemas para obter conselhos no caso de ocorrência de vibrações anormais.
- ◆ Utilize sempre óculos de protecção e uma protecção respiratória adequada quando utilizar o cortador de relva.
- ◆ A utilização de qualquer acessório não recomendado para a utilização com este cortador de relva pode ser perigosa. Utilize apenas acessórios aprovados pela BLACK+DECKER.
- ◆ Nunca tente chegar a pontos fora do alcance enquanto estiver a manobrar o cortador de relva. Mantenha-se sempre bem posicionado e equilibrado

enquanto estiver a manobrar o cortador de relva.

- ◆ Corte ao longo dos socalcos e nunca em sentido ascendente e descendente. Tenha muito cuidado quando mudar de direcção em declives.
- ◆ Preste atenção aos buracos, sulcos, solavancos, pedras ou outros objectos escondidos. O terreno irregular pode causar uma derrapagem e uma queda accidental. A relva grande pode ocultar obstáculos.
- ◆ Não corte relva molhada ou em escarpas acentuadas. O andamento irregular pode causar uma derrapagem e uma queda accidental.
- ◆ Não corte perto de descidas, valas ou represas. Pode perder o equilíbrio.
- ◆ Deixe sempre o cortador arrefecer antes de o guardar.

Riscos residuais.

Podem surgir riscos residuais adicionais durante a utilização da ferramenta, que podem não constar nos avisos de segurança incluídos. Estes riscos podem resultar de má utilização, uso prolongado, etc.

Mesmo que as regulamentações de segurança relevantes sejam cumpridas e os dispositivos de segurança sejam implementados, alguns riscos residuais não podem ser evitados. Estes incluem:

- ◆ Ferimentos causados pelo contacto com peças em rotação/movimento.
- ◆ Ferimentos causados durante a troca de peças, lâminas ou acessórios.

- ◆ Ferimentos causados pela utilização prolongada de uma ferramenta. Se utilizar uma ferramenta durante períodos prolongados, certifique-se de que faz pausas com frequência.
- ◆ Danos auditivos.
- ◆ Problemas de saúde causados pela inalação de poeiras resultantes da utilização da ferramenta (exemplo: trabalhos em madeira, especialmente carvalho, faia e MDF).



Use uma protecção ocular



As lâminas continuarão a rodar após a máquina ter sido desligada.



A potência sonora está em conformidade com a Directiva 2000/14/CE.

Símbolos de aviso

Os seguintes símbolos de aviso apresentam os seguintes símbolos de aviso juntamente com o código de data:



Atenção! Antes de utilizar o equipamento, leia o manual.



Não exponha o equipamento a chuva ou humidade elevada.



Esteja atento a lâminas afiadas.
Remova sempre a chave de segurança antes de limpar o cortador de relva, remover o saco de relva, desobstruir a protecção de descarga, quando deixar o cortador de relva ou antes de efectuar quaisquer ajustes, reparações ou inspecções.



Esteja atento à projecção de objectos. Mantenha as pessoas afastadas da área de corte.

Instruções de segurança adicionais para baterias e carregadores

Baterias

- ◆ Nunca abra a bateria, seja qual for o motivo.
- ◆ Não exponha a bateria à água.
- ◆ Não exponha a bateria ao calor.
- ◆ Não armazene em locais onde a temperatura possa exceder os 40 °C.
- ◆ Carregue apenas a temperaturas ambiente entre 10 °C e 40 °C.
- ◆ Carregue apenas com o carregador fornecido com o equipamento/ ferramenta. A utilização do carregador errado pode resultar em choque eléctrico ou sobreaquecimento da bateria.
- ◆ Quando eliminar as baterias, siga as instruções da secção “Protecção do ambiente”.
- ◆ Não danifique/deforme a bateria por perfuração ou impacto, porque pode causar ferimentos e incêndio.
- ◆ Não carregue baterias danificadas.

- ◆ Em condições extremas, pode ocorrer uma fuga nas baterias. Se detectar fuga de electrólito das baterias, limpe o líquido cuidadosamente com um pano. Evite o contacto com a pele.
- ◆ Em caso de contacto com a pele ou com os olhos, siga as instruções seguintes.

Atenção! O electrólito da bateria pode causar ferimentos ou danos materiais. Em caso de contacto com a pele, enxágue imediatamente com água. Em caso de vermelhidão, dor ou irritação, contacte um médico. Em caso de contacto com os olhos, enxágue imediatamente com água limpa e procure ajuda médica.



Não tente carregar baterias danificadas.

Carregadores

O carregador foi concebido para uma tensão específica.

Verifique sempre se a tensão de alimentação corresponde à tensão indicada na placa de especificações.

Atenção! Nunca substitua a unidade do carregador por uma tomada de alimentação normal.

- ◆ Utilize o carregador BLACK+DECKER apenas para carregar a bateria do equipamento/ferramenta com a qual foi fornecida. Outras baterias podem rebentar, provocando ferimentos e danos.
- ◆ Nunca tente carregar baterias não recarregáveis.
- ◆ Se o cabo de alimentação estiver

danificado, deve ser substituído pelo fabricante ou por um centro de assistência autorizado da BLACK+DECKER, para evitar situações de perigo.

- ◆ Não exponha o carregador à água.
- ◆ Não abra o carregador.
- ◆ Não perfure o carregador.
- ◆ O equipamento/ferramenta/bateria deve ser colocada numa área com boa ventilação durante o carregamento.



O carregador deve ser utilizado apenas em espaços interiores.



Antes da utilização, leia o manual de instruções.

Segurança eléctrica



O carregador tem isolamento duplo. Por esse motivo, não necessita de ligação à terra. Verifique sempre se a tensão de alimentação corresponde à tensão indicada na placa sinalética. Nunca substitua a unidade do carregador por uma tomada de alimentação normal.

Componentes
Este equipamento inclui todos ou parte dos seguintes acessórios.

1. Chave de segurança
2. Barra dos fardos
3. Patilha de desbloqueio
4. Barra do manípulo
5. Grampos de fixação do cabo
6. Manípulo superior
7. Grampo de libertação rápida do manípulo superior
8. Indicador de caixa de aparas cheia

9. Caixa de recolha de relva
10. Manipulo inferior
11. Grampo de libertação rápida do manipulo inferior
12. Porta traseira accionada por mola
13. Manipulo de regulação da altura
14. Tampa da bateria
15. Patilha de libertação da tampa da bateria
16. Manipulo

Montagem

Atenção! Antes da montagem, certifique-se de que a ferramenta está desligada e que a chave de segurança e a bateria foram removidas.

Montar a caixa de recolha de relva (Fig. A - C)

A caixa de aparas deve ser montada antes de ser utilizada e é composta por 3 peças.

- ◆ Prensar os 2 lados da caixa de recolha de relva (9) um ao outro (Fig. A). Certifique-se de que todos os grampos e guias estão alinhados.
- ◆ Alinhe a tampa (17) com a caixa de recolha de relva montada. Certifique-se de que as guias e os grampos estão alinhados.

Nota: Tenha muito cuidado quando alinhar os grampos na parte posterior da caixa de recolha de relva.

- ◆ Pressione a tampa para fixar todos os grampos. Comece pela frente e trabalhe em direcção à parte posterior. Certifique-se de que todos os grampos estão bem fixados.

Encaixar o manipulo inferior (Fig. D e E)

- ◆ Remova os grampos de libertação rápida do manipulo inferior (11) da base do cortador.
- ◆ Coloque o manipulo inferior (10) à volta da base, garantindo que os três entalhes (18) do manipulo inferior (10) estão voltados para a parte superior.
- ◆ Enrosque os grampos de libertação rápida do manipulo inferior (11) na base do cortador através do manipulo inferior. Com os grampos de libertação rápida do manipulo inferior enroscados até meio, feche os grampos de desbloqueio rápido (fig. E) e certifique-se de que os dentes do manipulo e a base ficam bloqueados entre si. Se a ligação entre o manipulo e os grampos de libertação rápida estiver demasiado apertada ou solta, ajuste a profundidade dos grampos de libertação rápida e feche-os novamente até os dentes ficarem totalmente fechados.

Encaixar o manipulo superior (Fig. F e G)

- ◆ Encaixe o manipulo superior (6) no manipulo inferior (10) utilizando os grampos de libertação rápida do manipulo superior (7) e as porcas de aperto (19) conforme ilustrado.
- ◆ Enrosque os grampos de libertação rápida do manipulo superior (7) nas porcas de aperto (20) através do manipulo inferior. Com os grampos de libertação rápida do manipulo superior enroscados até meio, feche os

grampos de libertação rápida (Fig. G).

Se a ligação entre o manipulo e os grampos de libertação rápida estiver demasiado apertada ou solta, ajuste a profundidade dos grampos de libertação rápida e feche-os novamente até os dentes ficarem totalmente fechados.

Ajustar a altura do manipulo (Fig. H)

- ◆ Solte o grampo de libertação rápida do manipulo inferior conforme ilustrado.
- ◆ Eleve ou baixe o manipulo para uma das 3 posições marcadas junto aos grampos de libertação rápida do manipulo inferior.
- ◆ Feche os grampos de libertação rápida do manipulo inferior (11) e certifique-se de que os dentes do manipulo e a base ficam bloqueados entre si. Se a ligação entre o manipulo e os grampos de libertação rápida estiver demasiado apertada ou solta, ajuste a profundidade dos grampos de libertação rápida e feche-os novamente até os dentes ficarem totalmente fechados.

Fixar o cabo do motor

O cabo do motor tem de ser fixado através do grampo de cabo.

- ◆ Fixe o cabo no manipulo superior e inferior, prendendo-o nos grampos de fixação do cabo (5).

Instalar a caixa de recolha de relva (Fig. I e J)

- ◆ Levante a patilha para retirar relva (12) e coloque a caixa de recolha de relva (9) sobre os apoios (20).

Ajustar a altura das rodas (Fig. K e L)

O cortador está equipado com o sistema de ajuste de altura Easy da BLACK+ DECKER. Este sistema ajusta as quatro rodas ao mesmo tempo.

O cortador possui seis posições de ajuste da altura da lâmina (30 mm a 80 mm). Consulte a escala na parte lateral do cortador. O ponteiro indica a definição de altura para cortar a relva.

Esta definição pode ser uma referência para a próxima vez que pretender cortar a relva à mesma altura.

- ◆ Liberte a barra dos fardos (2) para desligar o cortador de relva, aguarde até a lâmina parar e retire a chave de segurança (1).
- ◆ Para elevar ou baixar a altura de corte, coloque a palma da mão no descanso para a mão (21) e puxe a alavanca de ajuste da altura (13) no sentido contrário do corpo do cortador.
- ◆ Desloque a alavanca de ajuste da altura (13) para a posição pretendida e, em seguida, empurre-a novamente na direcção do corpo do cortador.

Nota: Certifique-se de que o cortador está devidamente bloqueado numa das seis posições.

Remover e colocar a bateria (Fig. O)

Antes de remover a bateria:

- ◆ Coloque o cortador ao nível do solo.
- ◆ Liberte a barra dos fardos (2) para desligar o cortador, aguarde até a lâmina parar e retire a chave de segurança (1).

Para remover a bateria:

- ◆ Puxe a patilha de libertação da tampa da bateria (15) na direcção da parte da frente do corpo do cortador e levante a tampa da bateria (14).
- ◆ Levante a bateria (22) e remova-a do cortador.

Para colocar a bateria

- ◆ Puxe a patilha de libertação da tampa da bateria (15) na direcção da parte da frente do corpo do cortador e levante a tampa da bateria (14).
- ◆ Faça deslizar a bateria (22) para o cortador. (a bateria só pode ser encaixada de uma única forma.)

Utilização

Atenção! Deixe o equipamento funcionar ao seu próprio ritmo.

Não sobrecarregue.

Carregar a bateria (Fig. M)

A bateria tem de ser carregada antes da primeira utilização e sempre que não conseguir produzir potência suficiente em trabalhos anteriormente feitos sem dificuldade. As baterias podem aquecer durante o carregamento. Isto é normal e não indica um problema.

Atenção! Não carregue a bateria a temperaturas ambiente inferiores a 10 °C ou superiores a 40 °C. Temperatura de carregamento recomendada: aproximadamente 24 °C.

Nota: O carregador não carrega a bateria se a temperatura das células for inferior a 0 °C ou superior a 40 °C.

A bateria não deve ser retirada do carregador para que este comece a carregar automaticamente quando a temperatura das células aquecer ou arrefecer.

- ◆ Para carregar a bateria (22), insira-a no carregador (23). A bateria apenas pode ser colocada no carregador de uma forma. Não force o movimento de corte. Certifique-se de que a bateria está completamente introduzida no carregador.
- ◆ Ligue o carregador e ligue-o à corrente.

O indicador de carga (24) fica intermitente a verde de maneira contínua (lentamente).

A carga é concluída quando o indicador de carga (24) ficar verde de maneira contínua. O carregador e a bateria podem ser deixados ligados indefinidamente com o LED aceso. O LED muda para o estado intermitente a verde (a carregar) à medida que o carregador preenche ocasionalmente a carga

da bateria. O indicador de carga (24) fica aceso enquanto a bateria estiver ligada no carregador ligado na tomada.

- ◆ As baterias descarregadas devem ser carregadas num intervalo de 1 semana. A vida útil da bateria diminui consideravelmente se for guardada sem carga.

Deixar a bateria no carregador

O carregador e a bateria podem permanecer ligados com o LED aceso indefinidamente. O carregador mantém a bateria totalmente carregada.

Diagnóstico do carregador

Se o carregador detectar uma bateria fraca ou danificada, o indicador de carga (24) pisca rapidamente a vermelho.

Proceda da seguinte forma:

- ◆ Insira novamente a bateria (22).
- ◆ Se os indicadores de carga continuarem a piscar rapidamente a vermelho, utilize uma bateria diferente para determinar se o processo de carga está a funcionar correctamente.
- ◆ Se a bateria de substituição carregar correctamente, então a bateria original está defeituosa e deve ser entregue num centro de serviço para reciclagem.
- ◆ Se a bateria nova der a mesma indicação que a bateria original, leve o carregador até um centro de assistência autorizado para ser testado.

Nota: Determinar se a bateria está defeituosa pode demorar até 30 minutos.

Se a bateria estiver demasiado quente ou fria, o LED pisca de maneira alternada de modo rápido e lento, piscando uma vez a cada velocidade e repetindo o processo.

Indicador do estado de carga (Fig. N)

A bateria está equipada com um indicador do estado de carga. Este pode ser utilizado para visualizar o nível de carga actual da bateria durante a utilização e durante o carregamento.

- ◆ Prima o botão da luz indicadora do estado de carga (25).

Chave de segurança (Fig. P)

Retire a chave de segurança:

- ◆ Sempre que o equipamento estiver sem vigilância.
- ◆ Antes de remover um bloqueio.
- ◆ Antes de verificar, limpar ou utilizar o equipamento.
- ◆ Após bater num objecto estranho.
- ◆ Sempre que o equipamento começar a vibrar de maneira anormal.

Ligar e desligar (Fig. P e Q)

Atenção! Lâmina afiada em movimento. Nunca tente sobrepor-se ao funcionamento deste sistema de interruptor e chave de segurança, dado que tal pode resultar em ferimentos graves.

Ligar

- ◆ Insira completamente a chave de segurança (1) na caixa do computador.
- ◆ Prima o botão de libertação do bloqueio (3) na parte superior da caixa do computador.
- ◆ Puxe a barra dos fardos da lâmina (2) na direcção da barra do manípulo (4).

Desligar

- ◆ Para desligar o cortador de relva, solte a barra dos fardos da lâmina (2).

Quando a barra dos fardos (2) voltar à posição original, activará o mecanismo de travagem automático. O motor é travado electricamente e a lâmina do cortador de relva para de rodar após 3 segundos ou menos.

Indicador de caixa de aparas cheia (Fig. R)

O cortador de relva possui um dispositivo que permite ver com facilidade quando a caixa de aparas está cheia e é necessário esvaziá-la.

- ◆ Quando o cortador de relva estiver a funcionar e a caixa de aparas estiver vazia, isso significa que o indicador está na posição aberta (26).
- ◆ Quando o cortador de relva estiver a funcionar e a caixa de aparas estiver cheia, isso significa que o indicador está na posição fechada (27).

Sugestões para uma utilização óptima

- ◆ Os relvados devem ser cortados pela primeira vez na Primavera quando a relva tem cerca de 63 mm a 76 mm de altura. Cortar a relva demasiadamente cedo na época restringe os sistemas de raízes da relva, os quais se renovam automaticamente todas as Primaveras. A nova relva deve ser cortada quando tem cerca de 63 mm de altura.
- ◆ Não remova demasiada superfície de lâmina de relva de uma só vez, nunca mais de 1/3 da altura da folha, durante cada corte. Cortar demasiado rente deixa as lâminas de relva sensíveis em "choque", resultando num sistema de raízes fraco e tornando mais difícil que o relvado obtenha água do solo.
- ◆ Corte o seu relvado quando se encontrar seco para evitar o amontoamento de relva molhada. Se puder escolher, a altura ideal para cortar a relva é ao final da tarde, não só porque a relva se encontra seca, mas também porque a nova área sensível de relva cortada não fica exposta a luz solar intensa.
- ◆ Mantenha a lâmina de corte afiada para obter um corte com bom aspecto. Isto melhora o desempenho do cortador e o aspecto do seu relvado. Uma lâmina embotada estilhaça e esmaga as pontas da relva. Isto compromete o crescimento saudável do relvado e aumenta a susceptibilidade de doenças da relva. Se as

pontas da relva forem esmagadas, tal causa uma cor acastanhada que confere um aspecto pouco saudável ao relvado. Uma lâmina embotada pode também arrancar pequenos rebentos de relva.

- ◆ Tente cortar o relvado a uma altura de corte consistente. Se por vezes deve variar a altura de corte com a alteração das estações, uma altura de corte consistente produz um relvado mais saudável e agradável com menos sementes. Corte com maior frequência durante períodos de crescimento rápido. O corte frequente assegura que a parte mais baixa e menos atractiva da relva não aparecerá.
- ◆ Se o relvado crescer em demasia, durante férias por exemplo, corte a uma altura uma ou duas posições mais elevada do que o normal. Uma segunda passagem alguns dias mais tarde, à altura de corte habitual, volta a acertar o relvado.

A alteração da altura de corte é fácil com o acessório One Touch Wheel Height Adjustment (Ajuste da altura das rodas com um toque) da BLACK+DECKER, que ajusta as quatro rodas de uma só vez.

- ◆ Durante a Primavera e o Outono, ou após uma interrupção no calendário de corte, a relva é mais comprida e mais espessa. Se o motor diminuir a velocidade constantemente durante o corte, tente definir as rodas para uma altura de corte mais elevada. A carga excessiva do motor pode resultar em corte desigual, descarga mais rápida da bateria e pode causar a sobrecarga do motor, o que causa a sua paragem.
- ◆ Existem três boas formas de melhorar o aspecto do relvado: Variar frequentemente a direcção de corte; cortar horizontalmente em declives; (esta é também uma boa prática de segurança) e não se esquecer de sobrepor o trilho de corte a cada passagem.

Dicas de corte

Nota: Inspeccione sempre a área onde o cortador de relva vai ser utilizado e remova todas as pedras, paus, cabos, ossos e outros detritos que poderão ser atirados pela lâmina em rotação.

- ◆ Corte ao longo dos socalcos e nunca em sentido ascendente e descendente. Tenha muito cuidado quando mudar de direcção em declives. Não corte excessivamente em declives acentuados. Mantenha sempre um bom apoio com os pés.
- ◆ Liberte a barra dos fardos (2) para desligar o cortador de relva quando atravessar uma área com gravilha, dado que as pedras podem ser atiradas pela lâmina em rotação.
- ◆ Defina o cortador de relva para a altura de corte mais elevada quando cortar em solo duro ou em ervas altas. A remoção de demasiada relva de uma só vez pode causar sobrecarga do motor, o que irá parar o cortador de relva. Consulte o guia de resolução de problemas. Se a caixa

de aparas (9) for utilizada durante a época de crescimento rápido, a relva pode obstruir a abertura de descarga.

- ◆ Liberte a barra dos fardos (2) para desligar o cortador de relva e remova a chave de segurança (1).
- ◆ Remova a caixa de aparas (9) e abane a relva de modo a que esta fique no fundo do saco.
- ◆ Limpe qualquer relva ou detritos que poderão ficar comprimidos em volta da abertura de descarga.
- ◆ Coloque novamente a caixa de aparas (9).

Se o cortador de relva começar a vibrar anormalmente:

- ◆ Liberte a barra dos fardos (2) imediatamente para desligar o cortador de relva e remova a chave de segurança (1) e a bateria (22).
- ◆ Investigue a causa da vibração. A vibração é um aviso. Não utilize o cortador de relva até ser efectuada uma verificação pela assistência técnica. Consulte o guia de resolução de problemas no manual.

Nota: Liberte sempre a barra dos fardos para desligar o cortador de relva e remova a chave de segurança quando o deixar sem vigilância, mesmo que por um curto período de tempo.

As seguintes sugestões ajudarão a obter o melhor tempo de funcionamento do cortador sem fios:

- ◆ Diminua a velocidade em áreas nas quais a relva é especialmente longa ou grossa.
- ◆ Evite cortar quando a relva se encontra molhada.
- ◆ Corte o relvado frequentemente, especialmente durante períodos de crescimento elevado.

Manutenção

O seu equipamento/ferramenta com/sem fio BLACK+DECKER foi concebido para funcionar durante muito tempo, com um mínimo de manutenção. O funcionamento contínuo e satisfatório depende de uma manutenção adequada e limpeza regular da ferramenta/equipamento. Além da limpeza frequente, o carregador não necessita de manutenção.

Atenção! Antes de proceder a qualquer acção de manutenção em ferramentas eléctricas com cabo/sem fios:

- ◆ Desligue o equipamento/ferramenta e retire a respectiva ficha da tomada.
- ◆ Também pode deixar a bateria descarregar completamente se for integral e, em seguida, desligue-a.
- ◆ Desligue o carregador antes de limpá-lo. Além da limpeza frequente, o carregador não necessita de manutenção.
- ◆ Limpe regularmente as ranhuras de ventilação da ferramenta/equipamento e do carregador com uma escova suave ou um pano seco.
- ◆ Limpe com frequência o compartimento do motor com um pano húmido. Não utilize produtos de limpeza abrasivos ou à base de dissolventes.
- ◆ Utilize regularmente uma raspadeira para remover relva e sujidade da parte inferior da protecção.

Remover e instalar a lâmina (Fig. S, T e U)

Atenção! Não toque na lâmina antes de a chave de segurança ser retirada e de as lâminas terem parado completamente.

- ◆ Liberte a barra dos fardos (2) para desligar o cortador, espere até a lâmina parar e remova a chave de segurança (1).
- ◆ Corte um pedaço de madeira (cerca de 50 mm x 100 mm x 600 mm de comprimento) para utilizar de modo a impedir que a lâmina rode enquanto remove a porca com flange (29).
- ◆ Volte o cortador de lado sobre o solo.

Atenção! Utilize luvas e protecção adequada para os olhos. Tenha cuidado com as extremidades afiadas da lâmina.

- ◆ Coloque o pedaço de madeira (28) e remova a porca com flange (29) com uma chave de 13 mm (Fig. S).
- ◆ Remova a anilha (30), a lâmina (31), a lâmina-guia quadrada (32) e a ventoinha (33) (Fig. T). Verifique se a lâmina-guia (32) e a ventoinha (33) apresentam indícios de danos e substitua, se necessário.

Ao instalar a lâmina, certifique-se de que o lado de corte da relva da lâmina (indicado por setas nas extremidades) está voltado para o solo quando o cortador for novamente colocado na sua posição vertical normal.

- ◆ Coloque a ventoinha (33). Certifique-se de que posiciona as lâminas de ventilação (34) de modo a que fiquem voltadas para o cortador.
- ◆ Coloque a lâmina-guia (32). Certifique-se de que posiciona as linguetas em forma de "D" (35) de modo a que fiquem voltadas para fora, na direcção contrária ao cortador.
- ◆ Certifique-se de que alinha as superfícies planas da ventoinha (33) e a lâmina-guia (32) com as superfícies planas do eixo.
- ◆ Encaixe a lâmina (31) na lâmina-guia (32) com as setas viradas para fora.
- ◆ Posicione o pedaço de madeira (28) para evitar que a lâmina (31) rode (Fig. U).
- ◆ Coloque a anilha (30) e a porca com flange (29) e, em seguida, aperte com uma chave de 13 mm.

Afiar a lâmina (Fig. V)

Mantenha a lâmina afiada para obter o melhor desempenho. Uma lâmina embotada não corta relva de forma limpa ou não corta relva para adubar o solo de forma adequada.

Atenção! Certifique-se sempre de que a chave de segurança é removida.

Atenção! Utilize protecção adequada para os olhos durante a remoção, afiação e instalação da lâmina.

Afiar a lâmina duas vezes durante a época de corte é normalmente suficiente, sob circunstâncias normais. A areia leva a que a lâmina fique embotada rapidamente. Se o

relvado tiver um solo arenoso pode ser necessária afiação mais frequente.

- ◆ Substitua, de imediato, lâminas dobradas ou danificadas.

Durante a afiação da lâmina:

- ◆ Certifique-se de que a lâmina permanece equilibrada.
- ◆ Afie a lâmina no ângulo de corte original.
- ◆ Afie os gumes de corte em ambas as extremidades da lâmina, removendo quantidades de material iguais em ambas as extremidades.

Afiar a lâmina num torno (Fig. V)

- ◆ Liberte a barra dos fardos (2) para desligar o cortador de relva e espere até a lâmina parar completamente.
- ◆ Remova a chave de segurança (1) e a bateria (22) e volte o cortador de relva de lado sobre o solo.
- ◆ Remova a lâmina (31) do cortador; consulte as instruções de remoção e instalação de lâminas.

Atenção! Utilize protecção adequada para os olhos e luvas, sendo cuidadoso com as extremidades afiadas da lâmina.

- ◆ Coloque a lâmina (31) num torno.
- ◆ Lime, cuidadosamente, as extremidades de corte da lâmina com uma lima fina ou uma pedra de amolar, mantendo a extremidade de corte original.
- ◆ Verifique o equilíbrio da lâmina; consulte as instruções para equilíbrio da lâmina.
- ◆ Instale a lâmina (31) no cortador e aperte firmemente; consulte as instruções de remoção e instalação de lâminas.

Equilibrar a lâmina (Fig. W)

- ◆ Verifique o equilíbrio da lâmina colocando o orifício central da lâmina num prego ou numa aparafusadora redonda fixa horizontalmente num torno. Se qualquer das extremidades da lâmina rodar no sentido descendente, lime essa extremidade até a lâmina estar equilibrada.

Lubrificação

Não é necessária qualquer lubrificação. Não coloque óleo nas rodas. Estas possuem superfícies de plástico que não requerem lubrificação.

Limpeza

- ◆ Liberte a barra dos fardos (2) para desligar o cortador de relva e espere até a lâmina parar completamente.
- ◆ Remova a chave de segurança (1).
- ◆ Utilize apenas sabão neutro e um pano húmido para limpar o cortador.
- ◆ Utilize uma ferramenta romba para limpar quaisquer aparas que possam ter ficado acumuladas na parte inferior do cortador.
- ◆ Após várias utilizações, verifique todos os fixadores expostos relativamente ao aperto.

Prevenir a corrosão

Os fertilizantes e outros químicos de jardinagem contêm agentes que aceleram bastante a corrosão de metais. Se cortar em áreas nas quais tenham sido utilizados fertilizantes ou químicos, o cortador deve ser limpo imediatamente a seguir, da forma que se segue:

- ◆ Liberte a barra dos fardos (2) para desligar o cortador de relva e espere até a lâmina parar completamente.
- ◆ Remova a chave de segurança (1).
- ◆ Limpe todas as partes expostas com um pano húmido.

Transportar e armazenar

Atenção! A lâmina rotacional pode causar ferimentos graves. Liberte a barra dos fardos para desligar o cortador e remova a chave de segurança antes de levantar, transportar ou armazenar o cortador. Guarde num local seco.

Nota: Não é muito difícil levantar o cortador se a bateria tiver sido removida previamente. Não utilize o fecho como ponto de elevação do cortador.

Armazenamento

Em climas quentes, para assegurar o desempenho ideal, recomenda-se que a bateria seja mantida com uma carga constante.

A bateria pode ser armazenada com o carregador desligado se as condições seguintes forem respeitadas.

- ◆ A bateria está completamente carregada antes do armazenamento.
- ◆ A temperatura média do local de armazenamento situa-se abaixo de 10 °C.

Resolução de problemas

Se achar que o equipamento não está a funcionar correctamente, respeite as instruções apresentadas em seguida. Se não conseguir resolver o problema, contacte o técnico local de reparação BLACK+DECKER.

Atenção! Antes de prosseguir, liberte a barra dos fardos para desligar o cortador, aguarde até a lâmina parar e retire a chave de segurança.

Problema	Possível solução
A máquina não funciona.	Certifique-se de que a chave de segurança foi instalada e está completamente encaixada e que o botão de desbloqueio é premido totalmente antes de mover a pega automotora.
	Liberte a pega automotora para desligar o cortador. Remova a chave de segurança e a bateria, volte o cortador e certifique-se de que a lâmina gira livremente.
	Verifique se a reentrância da bateria não tem resíduos e se a bateria foi colocada correctamente.
	A bateria foi completamente carregada? Ligue o carregador e aguarde até a luz verde se acender.

Protecção do ambiente



Faça uma recolha de lixo selectiva. Os produtos e baterias assinalados com este símbolo não devem ser eliminados em conjunto com resíduos domésticos normais.

Se, em algum momento, for necessário substituir este produto Black & Decker ou se este deixar de ter utilidade, não elimine o produto num caixote do lixo. Disponibilize este produto para recolha selectiva.

A recolha separada de produtos e embalagens usados permite que os materiais sejam reciclados e utilizados novamente.

A reutilização de materiais reciclados ajuda a prevenir a poluição ambiental e reduz a procura de matérias-primas. Os regulamentos locais podem especificar a recolha selectiva de produtos eléctricos na sua residência, em lixeiras municipais ou através do revendedor que lhe fornecer um novo produto.

A Black & Decker dispõe de instalações para recolha e reciclagem de produtos da Black & Decker quando estes atingem o fim da vida útil. Para tirar partido deste serviço, entregue o seu produto em qualquer técnico de reparação autorizado, o qual procede à respectiva recolha em nome da Black & Decker.

Pode verificar a localização do técnico de reparação autorizado mais perto de si, contactando os escritórios locais da Black & Decker através do endereço indicado neste manual. Se preferir, pode encontrar na Internet uma lista de técnicos de reparação autorizados da Black & Decker, dados completos e contactos do serviço pós-venda, no endereço: www.2helpU.com

Quando as baterias chegarem ao fim da sua vida útil, elimine-as de forma segura para o ambiente:

- ◆ Deixe a bateria descarregar completamente e, em seguida, remova-a da ferramenta.
- ◆ As baterias de NiCd, NiMH e de íons de lítio são recicláveis. Coloque as baterias numa embalagem adequada, certificando-se de que os terminais não entram em curto-circuito. Leve as baterias ao seu agente de manutenção autorizado ou a uma estação de reciclagem local.
- ◆ Não coloque os terminais da bateria em curto-circuito.
- ◆ Não elimine as baterias queimando-as, porque existe o risco de ferimentos pessoais ou de explosão.

Dados técnicos

CLM3820		
Tensão de entrada	V _{cc}	36 V
Velocidade sem carga	min ⁻¹	3500
Peso	kg	16,2
Bateria		BL2036
Tensão	V _{cc}	36 V
Capacidade	Ah	2

Problema	Possível solução
O motor pára durante o corte.	Liberte a pega automotora para desligar o cortador. Remova a chave de segurança e a bateria. Volte o cortador e certifique-se de que a lâmina se encontra livre para girar.
	Eleve a altura de corte das rodas para a posição mais elevada e ligue o cortador.
	Verifique se a cavidade da bateria se encontra isenta de detritos e correctamente ligada.
	A bateria foi completamente carregada? Pressione o botão do estado de carga.
	Evite sobrecarregar o cortador. Diminua a velocidade de corte ou eleve a altura de corte.
A máquina deixa acabamentos grosseiros ou o motor está em esforço	A bateria foi completamente carregada? Pressione o botão do estado de carga.
	Liberte a pega automotora para desligar o cortador. Remova a chave de segurança e a bateria. Volte o cortador ao contrário e verifique: <ul style="list-style-type: none"> ◆ Verifique se a lâmina está afiada. ◆ A estrutura e o cano de descarga estão obstruídos.
	O ajuste de altura das rodas pode estar com uma regulação demasiado baixa para as condições da relva. Eleve a altura de corte.
É excessivamente difícil empurrar o cortador.	Liberte a pega automotora para desligar o cortador. Remova a chave de segurança e a bateria. Eleve a altura de corte para reduzir o efeito de arrastamento da estrutura na relva. Verifique se todas as rodas giram livremente
O cortador emite ruído e vibração anormais.	Liberte a pega automotora para desligar o cortador. Remova a chave de segurança e a bateria. Coloque o cortador de lado e verifique a lâmina de modo a certificar-se de que não está dobrada ou danificada. Se a lâmina se encontrar danificada, substitua-a por uma lâmina de substituição da BLACK+DECKER. Se a parte inferior da estrutura se encontrar danificada, leve-o a um centro de assistência autorizado da BLACK+DECKER.
	Se não existirem danos visíveis na lâmina e o cortador continuar a vibrar: <ul style="list-style-type: none"> ◆ Liberte a pega automotora para desligar o cortador. ◆ Remova a chave de segurança e a bateria. ◆ Desmonte a lâmina por completo, como descrito na secção "Retirar e instalar a lâmina". ◆ Retire todos os resíduos e limpe cada peça. ◆ Volte a montar todas as peças, como descrito na secção "Retirar e instalar a lâmina".
	Se o cortador continuar a vibrar, leve-o a um centro de assistência autorizado da BLACK+DECKER.
O cortador não aspira aparas com o saco.	Cano obstruído. Liberte a pega automotora para desligar o cortador. Remova a chave de segurança e a bateria. Elimine as aparas de relva no cano.
	Eleve a altura de corte das rodas para diminuir o comprimento do corte.
	Saco cheio. Esvazie o saco com maior frequência.

CLM3820		
Tipo		lões de lítio
Carregador		LCS36 tít. 1
Tensão de entrada	V_{ca}	230 V
Tensão de saída	V_{cc}	36 V
Corrente	A	1300
Tempo de carga aprox.	h	1,0 - 2,0

Vibração medida da mão/do braço:
= < 2,5 m/s², variabilidade (K) = 1,5 m/s².

L_{pA} (pressão sonora) 80 dB(A)
variabilidade (K) = 3 dB (A)

Área de corte:

- ◆ Este cortador pode cortar até 300 m² com uma bateria de 2 Ah.
- ◆ Esta área (300 m²) é obtida com uma única bateria de 2 Ah totalmente carregada em condições secas com a alavanca de ajuste de altura na posição 6 no seguimento de condições de crescimento ligeiro.
- ◆ Em condições húmidas, definições de altura inferiores ou condições de crescimento intenso, a área de corte poderá ser inferior a 300 m².

Declaração de conformidade CE DIRECTIVA "MÁQUINAS" DIRECTIVA SOBRE RUÍDO EXTERIOR



Cortador de relva CLM3820

A Black & Decker declara que os produtos descritos nos "dados técnicos" estão em conformidade com:

2006/42/CE, EN 60335-1:2012/A13:2017;
EN 60335-2-77:2010; EN 62233:2008

2000/14/CE, Cortador de Relva, L < 50cm, Anexo VI,
TÜV SÜD Industrie Service GmbH
Westendstraße 199, 80686 Munique
País: Alemanha

Número do organismo notificado: 0036
LWA (potência sonora medida): 92 dB(A),
Variabilidade (K) = 2,25 dB(A),
 L_{WA} (potência sonora garantida): 96 dB(A).

Estes produtos respeitam também a Directiva
2014/30/UE e 2011/65/UE. Para obter mais informações,

contacte a Black & Decker através do endereço seguinte ou consulte o verso do manual.

O abaixo-assinado é responsável pela compilação do ficheiro técnico e faz esta declaração em nome da Black & Decker.

Patrick Diepenbach

Patrick Diepenbach
Director-Geral, Benelux
Black and Decker,
Egide Walschaertsstraat 14-18
2800 Mechelen, Bélgica
16/03/2022

Garantia

A Black & Decker confia na qualidade dos seus produtos e oferece aos clientes uma garantia de 24 meses a partir da data de compra. Esta garantia⁷⁵ é um complemento dos seus direitos estabelecidos por lei, não os prejudicando de forma alguma. A garantia é válida nos Estados-membros da União Europeia e nos países-membros da Zona Europeia de Comércio Livre.

Para accionar a garantia, esta deve estar em conformidade com os termos e condições da Black&Decker e tem de apresentar o comprovativo de compra ao vendedor ou a um técnico de reparação autorizado. Os termos e condições da garantia de 2 anos da Black&Decker e a localização do agente de reparação autorizado mais próximo pode ser obtido na Internet em www.2helpU.com ou contactando uma filial da Black & Decker, cuja morada está indicada neste manual. Visite o nosso Website www.blackanddecker.co.uk para registar o novo produto Black & Decker e manter-se actualizado relativamente a novos produtos e ofertas especiais.

Avsedd användning

Din BLACK+DECKER CLM3820 gräsklippare har designats för gräsklippning. Denna apparat är endast avsedd för konsumentbruk.

Säkerhetsinstruktioner

Varning! Vid användning av sladdlösa apparater ska grundläggande säkerhetsanvisningar, inklusive nedanstående, alltid följas. Detta för att minska risken för brand, elektriska stötar, person- och materialskador.

Varning! Vid användning av maskinen ska säkerhetsföreskrifterna följas. För din egen och närvarande personers säkerhet bör du läsa dessa instruktioner innan du använder maskinen.

Spara instruktionerna för senare bruk.

- ◆ Denna apparat är inte avsedd att användas av personer (inklusive barn) med reducerad fysisk, sensorisk eller mental förmåga eller med begränsad erfarenhet eller kunskap såvida inte de är under uppsikt eller fått instruktioner om användning av apparaten av en person som är ansvarig för deras säkerhet.
- ◆ Barn måste hållas under uppsikt så att de inte leker med apparaten.
- ◆ Om nätsladden är skadad måste den bytas ut av tillverkaren eller en auktoriserad BLACK+DECKER-verkstad för att undvika farliga situationer.
- ◆ Läs hela den här bruksanvisningen noggrant innan du börjar använda apparaten.
- ◆ Avsedd användning beskrivs i den här bruksanvisningen. Använd inte

apparaten med andra tillbehör eller tillsatser än de som rekommenderas i den här bruksanvisningen eftersom detta kan leda till personskador.

- ◆ Spara den här bruksanvisningen för framtida bruk.

Använda apparaten

Var alltid försiktig när du använder apparaten.

- ◆ Apparaten är inte avsedd användas av unga eller oerfarna personer utan övervakning.
- ◆ Apparaten ska inte användas som leksak.
- ◆ Låt inte barn eller djur komma i närheten av arbetsområdet. Låt dem inte heller röra vid redskapet eller nätsladden.
- ◆ Om det finns barn i närheten när du använder apparaten ska du övervaka dem noga.
- ◆ Använd endast på torra platser. Se till att apparaten inte blir våt.
- ◆ Doppa aldrig ned apparaten i vatten.
- ◆ Öppna inte höljet. Det finns inga servicebara delar på insidan.
- ◆ För att undvika explosionsrisk bör du inte använda redskapet i omgivningar med brandfarliga vätskor, gaser eller damm.
- ◆ Dra aldrig i sladden när du vill ta ut kontakten ur uttaget. Detta för att minska risken för skador på kontakter och sladdar.

Efter användning

- ◆ När apparaten inte används ska den förvaras på en torr plats med god ventilation och utom räckhåll för barn.
- ◆ Placera apparaten på ett ställe där barn inte kan komma åt den.
- ◆ När apparaten förvaras eller transporteras i en bil, ska den placeras i bagageutrymmet eller spännas fast för att förhindra rörelse till följd av plötsliga ändringar i hastighet eller riktning.

Kontroll och reparationer

- ◆ Kontrollera att apparaten inte är skadad eller har defekta delar. Kontrollera att inga delar är trasiga, att strömbrytaren fungerar och att inget annat föreligger som kan påverka dess funktion.
- ◆ Använd inte apparaten om någon del har skadats eller gått sönder.
- ◆ Låt en auktoriserad verkstad reparera eller byta ut skadade eller trasiga delar.
- ◆ Försök aldrig avlägsna eller byta ut andra delar än de som anges i den här bruksanvisningen.
- ◆ Var försiktig när du justerar gräsklipparen så att inte fingrarna fastnar mellan knivar/delar som rör sig och maskinens fasta delar.
- ◆ När service görs på kniven var medveten om att, även om strömkällan är avstängd kan kniven fortfarande röra sig.

Ytterligare säkerhetsanvisningar för gräsklippare

- ◆ Håll gräsklipparen i ett stadigt grepp med båda händerna vid användning.
- ◆ Om du någon gång behöver luta gräsklipparen ska du ha båda händerna i rätt läge för användning när gräsklipparen lutas. Håll båda händerna i rätt läge för användning tills gräsklipparen åter står på marken.
- ◆ Lyssna aldrig på radio eller musik i hörlurar när du använder gräsklipparen.
- ◆ Försök aldrig justera hjulhöjden medan motorn är igång eller när säkerhetsnyckeln sitter på sin plats.
- ◆ Om gräsklipparen kör fast ska du släppa säkerhetsbygeln för att stänga av den och vänta tills kniven stannat. Ta sedan ur säkerhetsnyckeln innan du rensar utkastaren eller tar bort någonting från maskinens undersida.
- ◆ Håll händerna och fötterna borta från bladområdet.
- ◆ Håll bladen vassa. Använd alltid skyddshandskar när du hanterar gräsklipparens blad.
- ◆ Om du använder gräsuppsamlaren bör du regelbundet kontrollera att den inte är utsliten eller har skadats. Om den är alltför sliten bör du för din egen säkerhet byta ut gräsuppsamlaren mot en ny.
- ◆ Var extra försiktig när du backar eller drar gräsklipparen mot dig.
- ◆ Ha inte händer eller fötter i närheten av eller under gräsklipparen. Stå aldrig

- framför utmatningsöppningarna.
- ◆ Rensa området där gräsklipparen ska användas från stenar, grenar, ledningar, leksaker, ben osv. eftersom de kan kastas iväg av bladet. Föremål som träffas av bladet kan orsaka allvarliga personskador. Stanna bakom handtaget när motorn är igång.
 - ◆ Var inte barfota och bär inte sandaler när du använder gräsklipparen. Bär alltid kraftiga skor.
 - ◆ Dra inte gräsklipparen baklänges om det inte är absolut nödvändigt. Titta alltid nedåt och bakåt innan och medan du drar luftkuddegräsklipparen baklänges.
 - ◆ Rikta aldrig utmatningen mot någon annan. Undvik utkastning mot en vägg eller ett hinder. Material kan studsas tillbaka mot användaren. Släpp säkerhetsbygeln för att stänga av gräsklipparen och låt kniven stanna innan du korsar grusområden.
 - ◆ Använd inte gräsklipparen om inte gräsuppsamlare, utkastarskydd, bakre skydd och andra säkerhetsanordningarna är monterade och fungerar. Kontrollera alla skydd och säkerhetsanordningarna regelbundet för att säkerställa att de är hela och fungerar som de ska. Byt ut skadade skydd och säkerhetsanordningar innan fortsatt användning.
 - ◆ Lämna aldrig gräsklipparen obevakad när den är igång. Ha alltid för vana att ta ur säkerhetsnyckeln när du lämnar gräsklipparen obevakad.
 - ◆ Släpp alltid säkerhetsbygeln för att stoppa motorn och vänta tills kniven har stannat helt. Ta sedan ur säkerhetsnyckeln innan gräsklipparen rengörs, gräsbehållaren tas bort, utkastarskyddet rensas, gräsklipparen lämnas obevakad eller justeringar, reparationer eller kontroller utförs.
 - ◆ Använd bara gräsklipparen i dagsljus eller i bra artificiell belysning när föremål inom arbetsområdet är väl synliga från gräsklipparens arbetsområde.
 - ◆ Använd inte gräsklipparen när du är påverkad av alkohol eller droger eller när du är trött eller sjuk. Var alltid uppmärksam, titta på vad du gör och använd vanligt sunt förnuft.
 - ◆ Undvik farliga miljöer. Använd aldrig gräsklipparen i fuktigt eller vått gräs och använd den aldrig när det regnar. Se alltid att alltid ha bra fotfäste, gå alltid, spring aldrig.
 - ◆ Om gräsklipparen börjar vibrera på ett onormalt sätt ska du släppa säkerhetsbygeln, vänta tills kniven har stannat och ta ur säkerhetsnyckeln. Kontrollera sedan genast orsaken till problemet. Vibrationer innebär oftast problem. Titta i felsökningsguiden för råd vid onormala vibrationer.
 - ◆ Bär alltid skyddsglasögon och munskydd när du använder gräsklipparen.
 - ◆ Det kan vara farligt att använda tillbehör som inte är rekommenderade för användning med den här gräsklipparen. Använd enbart tillbehör

- godkända av BLACK+DECKER.
- ♦ Sträck dig inte för långt när du använder gräsklipparen. Se till att du alltid har säkert fotfäste och god balans när du använder gräsklipparen.
 - ♦ Arbeta tvärs över sluttningar, inte upp och ner. Var mycket försiktig när du byter riktning vid arbete på sluttningar.
 - ♦ Se upp för hål, hjulspår, gupp, stenar eller andra dolda föremål. Ojämn terräng kan orsaka halk- och fallskador. Långt gräs kan dölja hinder.
 - ♦ Klipp inte i vått gräs eller mycket branta sluttningar. Dåligt fotfäste kan orsaka halk- och fallskador.
 - ♦ Klipp inte i närheten av branter, diken eller sluttningar. Du kan tappa fotfästet eller balansen.
 - ♦ Låt alltid gräsklipparen svalna innan du ställer undan den.

Övriga risker.

Ytterligare risker som inte finns med i de bifogade säkerhetsanvisningarna kan uppstå när verktyget används. Dessa risker kan uppstå vid felaktig eller långvarig användning, etc. Även om alla relevanta säkerhetsanvisningar följs och säkerhetsanordningar används kan vissa ytterligare risker inte undvikas. Dessa omfattar:

- ♦ Skador orsakade av att roterande/rörliga delar vidrörs.
- ♦ Skador som uppstår vid byte av delar, blad eller tillbehör.
- ♦ Skador som orsakas av långvarig användning av ett verktyg. Se till

att regelbundet ta vilopauser när du använder ett verktyg under en längre period.

- ♦ Hörselnedsättning.
- ♦ Hälsorisker orsakade av inandning av damm när redskapet används (exempel: arbete med trä, särskilt ek, bok och MDF)

Varningssymboler

Följande varningssymboler finns på apparaten tillsammans med datumkoden:



Varning! Läs bruksanvisningen innan användning.



Utsätt inte apparaten för regn eller hög luftfuktighet.



Tänk på att knivarna är vassa.

Ta alltid ur säkerhetsnyckeln innan gräsklipparen rengörs, gräsbehållaren tas bort, utkastarskyddet rensas, gräsklipparen lämnas obevakad eller innan justeringar, reparationer eller kontroller utförs.



Se upp för flygande föremål. Håll andra personer borta från arbetsområdet.



Bär skyddsglasögon



Bladen fortsätter att rotera en kort stund efter att du har stängt av maskinen.



Garanterad ljudnivå enligt direktiv 2000/14/EG.

Ytterligare säkerhetsinstruktioner för batterier och laddare

Batterier

- ◆ Försök aldrig öppna batteriet.
- ◆ Utsätt inte batteriet för vatten.
- ◆ Utsätt inte batteriet för värme.
- ◆ Förvara inte på platser där temperaturen kan bli högre än 40 °C.
- ◆ Ladda endast vid temperaturer mellan 10 °C och 40 °C.
- ◆ Ladda endast med hjälp av laddaren som medföljer apparaten/verktyget. Användning av fel laddare kan resultera i en elektrisk stöt eller att batteriet överhettas.
- ◆ Följ instruktionerna i avsnittet "Skydda miljön" när du gör dig av med batterier.
- ◆ Skydda batteriet från skador/ deformationer i form av slag och stötar eftersom det kan leda till personskador eller eldsvåda.
- ◆ Ladda inte skadade batterier.
- ◆ Under extrema förhållanden kan batterierna läcka. Om det finns vätska på batterierna ska du torka bort vätskan försiktigt med en trasa. Undvik hudkontakt.
- ◆ Vid kontakt med hud eller ögon, följ instruktionerna nedan.

Varning! Batterivätskan kan orsaka person- eller materialskador. Vid

hudkontakt, skölj genast med vatten. Vid rodnader, smärta eller irritation ska läkare uppsökas. Vid kontakt med ögon, skölj genast med rent vatten och uppsök läkare.



Försök inte ladda skadade batterier.

Laddare

Laddaren är avsedd för en viss spänning. Kontrollera alltid att nätspänningen överensstämmer med värdet på typskylten.

Varning! Försök aldrig byta ut laddaren mot en vanlig nätkontakt.

- ◆ Använd endast din BLACK+DECKER-laddare för att ladda batteriet i den apparat som den levererades med. Andra batterier kan spricka och orsaka personskador och andra skador.
- ◆ Försök aldrig att ladda ej uppladdningsbara batterier.
- ◆ Om nätsladden är skadad så måste den bytas ut av tillverkaren eller en auktoriserad BLACK+DECKER-verkstad för att undvika risker.
- ◆ Utsätt inte laddaren för vatten.
- ◆ Öppna inte laddaren.
- ◆ Gör ingen åverkan på laddaren.
- ◆ Redskapet/verktyget/batteriet ska placeras på en plats med god ventilation vid laddning.



Laddaren är endast avsedd för inomhusbruk.



Läs bruksanvisningen före användning.

Elsäkerhet



Eftersom laddaren är dubbelisolerad behövs ingen jordledare. Kontrollera alltid att nätspänningen överensstämmer med spänningen på typskylten. Försök aldrig byta ut laddaren mot en vanlig nätkontakt.

Funktioner

Denna apparat har några eller samtliga av följande funktioner.

1. Säkerhetsnyckel
2. Säkerhetsbygel för kniven
3. Frigöring av låsknapp
4. Handtag
5. Sladdhållarklämmor
6. Övre handtag
7. Snabbfrigöringsklämma för övre handtag
8. Indikator för full gräsbehållare
9. Gräsupsamlare
10. Nedre handtag
11. Snabbfrigöringsklämma för nedre handtag
12. Fjädrande baklucka
13. Handtag med höjjustering
14. Batterilock
15. Frigöringsknapp för batterikåpa
16. Handtag

Montering

Varning! Se till att verktyget är avstängt och att säkerhetsnyckeln och batteriet har tagits ur innan montering.

Montera gräsupsamlaren (Fig. A - C)

Gräsupsamlaren måste monteras ihop innan användning och består av tre delar.

- ◆ Sätt ihop de två sidorna till gräsupsamlaren (9) (Fig. A). Se till att alla klämmor och markeringar är inpassade.
- ◆ Passa in locket (17) på den hopmonterade gräsupsamlaren. Se till att markeringarna och klämmorna är inpassade.

Notera: Var extra noggrann när du passar in klämmorna vid gräsupsamlarens bakre del.

- ◆ Tryck ned locket för att säkerställa att alla klämmor sitter

fast. Börja längst fram och arbeta dig bakåt. Se till att alla klämmor är rätt inpassade.

Montera den nedre delen av handtaget (Fig. D och E)

- ◆ Ta bort snabbfrigöringsklämman för nedre handtaget (11) från gräsklipparens bas.
- ◆ Placera nedre handtaget (10) runt basen och se till att de tre spåren (18) på det nedre handtaget (10) pekar uppåt.
- ◆ Fäst snabbfrigöringsklämmorna för det nedre handtaget (11) med skruv genom det nedre handtaget i gräsklipparens bas. Skruva i skruven till snabbfrigöringsklämmorna för nedre handtaget halvvägs, stäng klämmorna (fig.E) och se till att tänderna på handtaget och basen låser fast. Om anslutningen mellan handtaget och snabbfrigöringsklämmorna är för hård eller för lös, justerar du djupet för snabbfrigöringsklämmorna och stänger dem igen tills tänderna är helt stängda.

Montera det övre handtaget (Fig. F och G)

- ◆ Sätt ihop det övre handtaget (6) med det nedre handtaget (10) med hjälp av snabbfrigöringsklämmorna för övre handtaget (7) och muttrarna (19) enligt anvisningen.
- ◆ Fäst snabbfrigöringsklämmorna för övre handtaget (7) genom det nedre handtaget i muttrarna (20). Skruva i skruven till snabbfrigöringsklämmorna för övre handtaget halvvägs, stäng klämmorna (fig.G). Om anslutningen mellan handtaget och snabbfrigöringsklämmorna är för hård eller för lös, justerar du djupet för snabbfrigöringsklämmorna och stänger dem igen tills tänderna är helt stängda.

Justera höjden på handtaget (Fig. H)

- ◆ Lossa på snabbfrigöringsklämman för nedre handtaget enligt anvisningarna.
- ◆ Lyft eller sänk ned handtaget i en av de tre markerade positionerna bredvid snabbfrigöringsklämmorna för nedre handtaget.
- ◆ Stäng snabbfrigöringsklämmorna för nedre handtag (11) och se till att tänderna på handtaget och basen låser fast. Om anslutningen mellan handtaget och snabbfrigöringsklämmorna är för hård eller för lös, justerar du djupet för snabbfrigöringsklämmorna och stänger dem igen tills tänderna är helt stängda.

Fästa sladden

Nätsladden till motorn måste fästas med sladdklämman.

- ◆ Fäst kabeln på den övre och nedre delen av handtaget genom att klämma fast den med sladdklämmorna (5).

Montera gräsupsamlaren (Fig. I och J)

- ◆ Lyft den genomskinliga gräsluckan (12) och placera gräsbehållaren (9) över flänsarna (20).

Justering av hjulhöjden (Bild K och L)

Din gräsklippare är utrustad med BLACK+DECKER Easy – system för justering av höjden. Med det här systemet justeras alla fyra hjulen samtidigt.

Gräsklipparen har sex justeringslägen för knivhöjd (30 mm till 80 mm). Ta hjälp av skalan på sidan av gräsklipparen. Visaren indikerar höjdställningen för din gräsmatta.

Den här inställningen fungerar som mall nästa gång du vill klippa gräsmattan i samma höjd.

- ◆ Släpp säkerhetsbygeln (2) för att stanna gräsklipparen, vänta tills kniven stannat och ta därefter ur säkerhetsnyckeln (1).
- ◆ Du höjer eller sänker klipphöjden genom att placera handflatan på handstödet (21) och dra höjdjusteringsspaken (13) bort från gräsklipparen.
- ◆ Flytta höjdjusteringsspaken (13) till önskad position och tryck sedan tillbaka den mot gräsklipparen.

Notera: Kontrollera att gräsklipparen är säkert fastlåst i ett av de sex lägena.

Ta bort och montera batteriet (Fig. O)

Innan du tar bort batteriet:

- ◆ Se till att gräsklipparen står på ett jämnt underlag.
- ◆ Släpp säkerhetsbygeln (2) för att stanna gräsklipparen, vänta tills kniven stannat och ta därefter ur säkerhetsnyckeln (1).

Ta bort batteriet:

- ◆ Dra frigöringsknappen för batterikåpan (15) in mot gräsklipparens framsida och lyft upp batterikåpan (14).
- ◆ Lyft ur batteriet (22) från gräsklipparen.

Montera batteriet

- ◆ Dra frigöringsknappen för batterikåpan (15) in mot gräsklipparens framsida och lyft upp batterikåpan (14).
- ◆ Skjut in batteriet (22) på gräsklipparen. (Batteriet kan bara sättas in på ett sätt.)

Användning

Varning! Låt redskapet arbeta i sin egen takt. Överbelasta inte.

Ladda batteriet (Fig. M)

Batteriet måste laddas innan det används för första gången och sedan varje gång som det inte ger tillräckligt hög effekt för arbeten som annars brukar gå bra. Batteriet kan bli varmt när det laddas. Det är normalt och innebär inte att något är fel.

Varning! Ladda inte batteriet om temperaturen i luften är lägre än 10 °C eller högre än 40 °C. Den rekommenderade laddningstemperaturen är cirka 24 °C.

Notera: Laddaren laddar inte batteriet om celltemperaturen är lägre än ungefär 0 °C eller högre än 40 °C.

Batteriet får då sitta kvar i laddaren, som kommer att börja laddningen automatiskt när celltemperaturen har stigit eller sjunkit.

- ◆ Vid laddning av batteriet (22) sätter du det i laddaren (23). Batteriet kan bara placeras i laddaren på ett sätt. Tvinga inte. Se till att batteriet sitter ordentligt i laddaren.
- ◆ Anslut laddaren till vägguttaget.

Laddningsindikatorn (24) börjar blinka grönt (långsamt). När batteriet är laddat lyser laddningsindikatorn (24) med ett grönt fast sken. Batteriet kan sitta kvar i laddaren och laddaren kan vara ansluten till vägguttaget hur länge som helst när indikatorn lyser. Indikatorn kommer emellanåt att börja blinka grönt (laddningsläge) eftersom laddaren då och då fyller på batteriets laddning. Laddningsindikatorn (24) lyser när batteriet sitter i laddaren och laddaren är ansluten till ett eluttag.

- ◆ Ladda urladdade batterier inom 1 vecka. Om batterierna inte laddas när de är urladdade förkortas batterilivslängden avsevärt.

Lämna batteriet i laddaren

Batteriet kan sitta kvar i laddaren och laddaren kan vara ansluten till vägguttaget hur länge som helst när indikatorn lyser. Laddaren ser till att batteriet hålls fräscht och fulladdat.

Laddardiagnostik

Om laddaren upptäcker ett svagt eller skadat batteri börjar laddningsindikatorn (24) att blinka rött i snabb takt.

Gör så här:

- ◆ Sätt i batteriet (22) igen.
- ◆ Om laddningsindikatorn fortsätter att blinka rött snabbt kan du använda ett annat batteri för att kontrollera att batteriet laddas som det ska.
- ◆ Om det utbytta batteriet kan laddas utan problem är det gamla batteriet defekt och bör lämnas till ett servicecenter för återvinning.
- ◆ Om problemet kvarstår med det nya batteriet bör du ta med laddaren till ett auktoriserat servicecenter.

Notera: Det kan ta upp till 30 minuter att avgöra om batteriet är defekt.

Om batteriet är för varmt eller för kallt blinkar indikatorn rött omväxlande snabbt och långsamt med en blinkning i varje hastighet.

Laddningsindikatorns status (Fig. N)

Batteriet är utrustat med en laddningsindikator. Den visar batteriets laddningsnivå under användning och laddning.

- ◆ Tryck på laddningsindikatorknappen (25).

Säkerhetsnyckel (Fig. P)

Ta ur säkerhetsnyckeln:

- ◆ När du lämnar apparaten oövervakad.
- ◆ Innan du tar bort ett stopp.

- ◆ Innan du kontrollerar, rengör eller arbetar med apparaten.
- ◆ När apparaten kört på ett främmande föremål.
- ◆ Om apparaten börjar vibrera på ett onormalt sätt.

Start och stopp (Fig. P och Q)

Varning! Vass kniv i rörelse. Försök aldrig koppla förbi strömbrytaren eller säkerhetsnyckelsystemet eftersom det kan leda till allvariga olyckor.

Slå på

- ◆ Sätt i säkerhetsnyckeln (1).
- ◆ Tryck in låsknappen (3) längst upp på strömbrytarhöljet.
- ◆ Dra knivens säkerhetsbygel (2) mot handtaget (4).

Stänga av

- ◆ Stäng av gräsklipparen genom att släppa säkerhetsbygeln för kniven (2).

När säkerhetsbygeln (2) har återvänt till ursprungsläget aktiveras den automatiska bromsmekanismen. Motorn bromsas elektriskt och gräsklipparens kniv slutar rotera på 3 sekunder eller snabbare.

Indikator för full gräsbehållare (Fig. R)

Gräsklipparen har en anordning med vilken du enkelt kan se när gräsbehållaren är full och behöver tömmas.

- ◆ När gräsklipparen körs med tom gräsbehållare är indikatorn i öppet läge (26).
- ◆ När gräsklipparen körs med full gräsbehållare är indikatorn i stängt läge (27).

Tips för optimal användning

- ◆ Gräsmattan bör klippas första gången under våren när gräset är mellan 63 och 76 mm högt. Om du klipper gräsmattan för tidigt på säsongen kan det leda till att gräsets rotsystem, som förnyas varje vår, begränsas. En ny gräsmatta bör klippas när den är omkring 63 mm.
- ◆ Klipp inte för mycket av grässtråna på en gång, aldrig mer än 1/3 av gräshöjden vid varje klippning. Om du klipper för kort "chockas" känsliga grässtrån och det leder till att rotsystemet blottas, vilket i sin tur gör det svårare för gräsmattan att ta upp det vatten som finns i jorden.
- ◆ Klipp din gräsmatta när det är torrt för att undvika vått gräs som klumpar sig. Om du har möjlighet att välja är det bäst att klippa gräsmattan sent på eftermiddagen, inte bara för att gräset är torrt utan också för att det känsliga nyklippta området inte kommer att utsättas för intensivt solljus.
- ◆ För att du ska få ett jämnt och fint resultat bör du se till att kniven hålls vass. Detta förbättrar din gräsklippares prestanda och gör att din gräsmatta ser bättre ut. En trubbig kniv splittrar och skadar grässtrånas toppar. Det här minskar din gräsmattas tillväxt och ökar känsligheten för angrepp på gräset. Om grässtrånas toppar skadas får de en brunaktig färg och det gör din gräsmatta fulare. En

trubbig kniv ökar också risken för att grässådd rycks upp.

- ◆ Försök att klippa gräsmattan med samma klipphöjd varje gång. Även om det finns tillfällen då du bör variera klipphöjden över de olika årstiderna ger en jämn och oförändrad klipphöjd en vitalare och vackrare gräsmatta, ofta med mindre ogräs. Klipp din gräsmatta oftare under de perioder den växer snabbare. Genom att klippa gräsmattan ofta följer du mindre vackra delar av gräsmattan.

- ◆ Om gräset blivit för högt, vilket kan ske om gräsmattan inte klippts under en tid, t.ex. i samband med en semesterresa, ändrar du klipphöjden så att du klipper ett eller två steg högre än normalt. Ytterligare en klippning med din vanliga klipphöjd några dagar senare återställer skicket på din gräsmatta. Det är lätt att ändra klipphöjden med BLACK+ DECKER Deckers system för snabbjustering av hjulhöjden eftersom alla fyra hjulen justeras samtidigt.
- ◆ Under våren och hösten eller efter en utebliven klippning är gräset längre och tjockare. Om motorn går långsammare vid klippning kan du prova att ställa hjulen högre. Kraftig motorbelastning kan leda till ojämnt klippresultat, att batteriet laddas ur snabbare och att motorn överbelastas och stannar.
- ◆ Det finns tre bra sätt att förbättra din gräsmattas utseende: Variera klippriktningen ofta och klipp horisontellt i slutningar (detta är också bra ur säkerhetssynpunkt) och glöm inte att alltid överlappa klippspåren.

Tips vid klippning

Notera: Inspektera alltid området där gräsklipparen ska användas och rensa bort alla stenar, grenar, ledningar, ben o.s.v. eftersom de kan kastas iväg av den roterande kniven.

- ◆ Arbeta tvärs över slutningar, inte upp och ned. Var mycket försiktig när du byter riktning vid arbete på slutningar. Använd inte gräsklipparen i branta slutningar. Se till att alltid ha bra fotgrepp.
- ◆ Släpp säkerhetsbygeln (2) för att stänga av gräsklipparen när du korsar grusområden eftersom den roterande kniven kan slunga iväg stenar.
- ◆ Ställ gräsklipparen på högsta klipphöjden när du klipper på ojämn mark eller i högt gräs. Om gräsklipparen klipper för mycket gräs på en gång kan motorn överhettas, vilket leder till att gräsklipparen stannar. Använd felsökningsguiden. Om gräsbehållaren (9) används under den snabbväxande säsongen kan gräset komma att täppa igen utkastaröppningen.
- ◆ Släpp säkerhetsbygeln (2) för att stanna gräsklipparen och ta därefter ur säkerhetsnyckeln (1).
- ◆ Ta bort gräsbehållaren (9) och skaka tills gräset hamnar längst bak i behållaren.
- ◆ Rensa bort eventuellt gräs eller skräp som samlats runt utkastaröppningen.

- ◆ Montera gräsbehållaren (9) igen.

Om gräsklipparen börjar vibrera på ett onormalt sätt:

- ◆ Släpp säkerhetsbygeln (2) omedelbart för att stanna gräsklipparen och ta därefter ur säkerhetsnyckeln (1) och batteriet (22).
- ◆ Ta reda på orsaken till vibrationerna. Vibrationer är ett varningstecken. Använd inte gräsklipparen förrän den genomgått en servicekontroll. Använd felsökningsguiden i bruksanvisningen.

Notera: Släpp alltid säkerhetsbygeln för att stanna gräsklipparen och ta därefter ur säkerhetsnyckeln även om du bara lämnar den oövervakad under en kort tid.

Så här kan du optimera drifttiden för din sladdlösa gräsklippare:

- ◆ Kör långsammare i områden där gräset är extra högt eller tjockt.
- ◆ Undvik att klippa när gräset är fuktigt.
- ◆ Klipp din gräsmatta ofta, särskilt när den växer mycket.

Underhåll

Din kabelanslutna/sladdlösa BLACK+DECKER-apparat/verktyg är konstruerad för att fungera en lång tid med minsta möjliga underhåll. Med rätt underhåll och regelbunden rengöring behåller verktyget/apparaten sin funktion.

Laddaren behöver inget annat underhåll än regelbunden rengöring.

Varning! Innan något underhåll utförs på sladdanslutna/sladdlösa elverktyg:

- ◆ Stäng av apparaten/verktyget och dra ur nätkontakten.
- ◆ Om batteriet är inbyggt låter du det laddas ur helt innan avstängningen.
- ◆ Dra ur sladden till laddaren innan du rengör den. Laddaren behöver inget annat underhåll än regelbunden rengöring.
- ◆ Rengör regelbundet redskapets/verktygets/laddarens luftintag med en mjuk borste eller torr trasa.
- ◆ Rengör motorhöljet regelbundet med en fuktig trasa. Använd aldrig något slipande eller lösningsmedelsbaserat rengöringsmedel.
- ◆ Ta med jämna mellanrum bort gräs och smuts från skyddets undersida med en trubbig skrapa.

Ta bort och montera kniven (Fig. S, T och U)

Varning! Vidrör inte kniven förrän säkerhetsnyckeln har tagits ur och kniven har stannat helt.

- ◆ Släpp säkerhetsbygeln (2) för att stanna gräsklipparen, vänta tills kniven stannat och ta därefter ur säkerhetsnyckeln (1).
- ◆ Säg till en träbit (ungefär 50 mm × 100 mm × 600 mm lång) som du använder för att hindra kniven från att röra sig medan du tar bort flämsmuttern (29).
- ◆ Lägg gräsklipparen på sidan.

Varning! Använd handskar och ordentliga skydd för ögonen. Akta dig för knivens vassa kanter.

- ◆ Sätt träbiten (28) på plats och ta bort flämsmuttern (29) med en 13 mm nyckel (Fig. S).
- ◆ Ta bort brickan (30), kniven (31), den fyrkantiga knivguiden (32) och fläkten (33) (fig T). Kontrollera om det finns skador på knivguiden (32) och fläkten (33) och byt dem om det behövs.

När du monterar kniven ska du se till att rätt sida av kniven (visas med pilar i var ände) är vänd mot marken när gräsklipparen ställs tillbaka på hjulen.

- ◆ Installera fläkten (33). Se till placera fläktbladen (34) så att de pekar in mot gräsklipparen.
- ◆ Installera knivguiden (32). Se till placera de D-formade piggarna (35) så att de pekar ut och bort från gräsklipparen.
- ◆ Se till att passa in den platta sidan av fläkten (33) och knivguiden (32) med de platta sidorna på axeln.
- ◆ Sätt kniven (31) i knivguiden (32) med pilarna pekande utåt.
- ◆ Placera träbiten (28) så att den hindrar kniven (31) från att röra sig (Fig. U).
- ◆ Sätt brickan (30) och flämsmuttern (29) på plats och dra åt med en 13 mm nyckel.

Slipa kniven (Fig. V)

För bästa prestanda bör du se till att kniven alltid är vass. En slö kniv varken klipper eller finfördelar gräset ordentligt.

Varning! Se alltid till att säkerhetsnyckeln är urtagen.

Varning! Se till att skydda ögonen ordentligt när du tar bort, slipar eller monterar en kniv.

Under normala förhållanden räcker det att slipa kniven två gånger under en klippsäsong. Sand gör att kniven snabbt blir slö. Om din gräsmatta växer i sandjord kan du behöva slipa knivarna oftare.

- ◆ Byt ut böjda eller skadade knivar omedelbart.

Vid slipning av kniven:

- ◆ Kontrollera att kniven förblir balanserad.
- ◆ Slipa kniven med den ursprungliga klippningsvinkeln.
- ◆ Slipa skärkanterna i båda ändar av kniven och avlägsna lika mycket material från båda ändarna.

Slipa en kniv i ett skruvstöd (Fig. V)

- ◆ Släpp säkerhetsbygeln (2) för att stanna gräsklipparen och vänta tills kniven stannat helt och hållet.
- ◆ Ta ur säkerhetsnyckeln (1) och batteriet (22) och ställ gräsklipparen på sidan.
- ◆ Ta bort kniven (31) från gräsklipparen. Se anvisningarna för borttagning och montering av kniv.

Varning! Använd ordentligt skydd för ögonen och handskar och var försiktig med knivens vassa kanter.

- ◆ Placera kniven (31) i ett skruvstöd.
- ◆ Fila knivens skärkanter försiktigt med en fintandad fil eller ett bryne för att återskapa den ursprungliga skärkanten.

- ◆ Kontrollera knivens balans. Se anvisningarna för knivbalansering.
- ◆ Montera kniven (31) på gräsklipparen och se till att den sitter fast. Se anvisningarna för borttagning och montering av kniv.

Bladbalansering (Fig. W)

- ◆ Du kontrollerar knivens balans genom att placera knivens centrumhål runt en spik eller en skruvmejsel med runt skaft som fästs horisontellt i ett skruvstöd. Om någon av knivens ändrar rör sig nedåt filar du den änden på kniven tills kniven är balanserad.

Smörjning

Ingen smörjning behövs. Håll inte olja på hjulen. Hjulets lagerytor är av plast och behöver inte smörjas.

Rengöring

- ◆ Släpp säkerhetsbygel (2) för att stanna gräsklipparen och vänta tills kniven stannat helt och hållet.
- ◆ Ta ur säkerhetsnyckeln (1).
- ◆ Använd bara mild tvål och en fuktig trasa för att rengöra gräsklipparen.
- ◆ Använd ett trubbigt verktyg för att rensa bort eventuella gräsrester som kan ha samlats under gräsklipparen.
- ◆ Efter flera användningar bör du kontrollera alla utsatta fästelement är ordentligt åtdragna.

Förebygga korrosion

Gödningsmedel och andra trädgårdskemikalier innehåller ämnen som i hög grad påskyndar korrosion av metaller. Om du klipper i områden där gödningsmedel eller kemikalier har använts bör gräsklipparen rengöras så här efteråt:

- ◆ Släpp säkerhetsbygel (2) för att stanna gräsklipparen och vänta tills kniven stannat helt och hållet.
- ◆ Ta ur säkerhetsnyckeln (1).
- ◆ Torka av alla åtkomliga delar med en fuktigt trasa.

Transport och förvaring

Varning! Den roterande kniven kan orsaka allvarliga skador. Släpp säkerhetsbygel för att stanna gräsklipparen och ta ur säkerhetsnyckeln innan gräsklipparen lyfts, transporteras eller förvaras. Förvara gräsklipparen på ett torrt ställe.

Notera: Det blir lättare att lyfta gräsklipparen om batteriet tas ur först. Använd inte batterilåset för att lyfta gräsklipparen.

Förvaring

Vi rekommenderar att batteriet står på kontinuerlig laddning för optimala prestanda i varma klimat. Batteriet kan förvaras med laddaren frånkopplad om följande villkor är uppfyllda.

- ◆ Batteriet är fulladdat innan förvaring.

- ◆ Medeltemperaturen i förvaringsutrymmet ligger under 10 °C (50 °F).

Felsökning

Om apparaten inte fungerar som den ska följer du instruktionerna nedan. Om problemet kvarstår kontaktar du närmaste BLACK+DECKER-verkstad.

Varning! Innan du fortsätter släpper du säkerhetsbygeln för att stanna gräsklipparen, väntar tills kniven stannat och tar därefter ur säkerhetsnyckeln.

Problem	Möjlig lösning
Maskinen fungerar inte.	Kontrollera att säkerhetsnyckeln sitter ordentligt på plats och att låsknappen tryckts in ordentligt innan du rör säkerhetsbygeln.
	Stäng av gräsklipparen genom att släppa upp säkerhetsbygeln. Ta ur säkerhetsnyckeln och batteripaketet, stäng av gräsklipparen och kontrollera att kniven har fritt svängrum.
	Kontrollera att batterifacket är fritt från skräp och att batteriet är installerat på rätt sätt.
	Är batteriet fulladdat? Anslut laddaren och vänta tills den gröna lampan tänds
Motorn stannar under klippning.	Stäng av gräsklipparen genom att släppa upp säkerhetsbygeln. Ta ur säkerhetsnyckeln och batteriet. Stäng av gräsklipparen och kontrollera att kniven har fritt svängrum.
	Höj hjulen till den högsta klipphöjden och starta gräsklipparen.
	Kontrollera att batteriet är fritt från skräp och att det är korrekt anslutet.
	Är batteriet fulladdat? Tryck på laddningsknappen.
	Undvik att överbelasta gräsklipparen. Sänk klippshastigheten eller öka klipphöjden.
Maskinen klipper ojämnt eller motorn arbetar hårt	Är batteriet fulladdat? Tryck på laddningsknappen.
	Stäng av gräsklipparen genom att släppa upp säkerhetsbygeln. Ta ur säkerhetsnyckeln och batteriet. Vänd på gräsklipparen och kontrollera följande: <ul style="list-style-type: none"> ◆ Kniven ska vara vass. ◆ Undersidan och utkastarrännan är fria från gräsrester.
	Hjulinställningen kan vara för låg för gräsförhållandena. Öka klipphöjden.
Gräsklipparen är för tung att skjuta framåt.	Stäng av gräsklipparen genom att släppa upp säkerhetsbygeln. Ta ur säkerhetsnyckeln och batteriet. Öka klipphöjden för att minska undersidans motstånd mot gräset. Kontrollera att alla hjul roterar fritt

Problem	Möjlig lösning
Gräsklipparen bullrar och vibrerar onormalt mycket.	Stäng av gräsklipparen genom att släppa upp säkerhetsbygeln. Ta ur säkerhetsnyckeln och batteriet. Ställ gräsklipparen på sidan och säkerställ att kniven inte är böjd eller skadad. Om kniven är skadad ska den bytas mot en ersättningskniv från BLACK+DECKER. Om gräsklipparens underdel är skadad ska du lämna in gräsklipparen hos en auktoriserad BLACK+DECKER-verkstad. Om det inte finns några synliga skador på kniven och gräsklipparen fortfarande vibrerar: <ul style="list-style-type: none"> ◆ Stäng av gräsklipparen genom att släppa upp säkerhetsbygeln. ◆ Ta ur säkerhetsnyckeln och batteriet. ◆ Demontera hela knivmontaget såsom beskrivs i sektionen "Borttagning och installation av kniv". ◆ Ta bort skräp och rengör varje del. ◆ Sätt tillbaka varje del såsom beskrivs i sektionen "Borttagning och installation av kniv".
Gräsklipparen tar inte upp klipprester.	Om gräsklipparens fortfarande vibrerar lämnar du in gräsklipparen hos en auktoriserad Black & Decker-verkstad. Utkastarrännan har täppts igen. Stäng av gräsklipparen genom att släppa upp säkerhetsbygeln. Ta ur säkerhetsnyckeln och batteriet. Rensa bort klipprester från utkastarrännan. Höj hjulen för att minska längden på gräset som klipps. Behållaren är full. Töm behållaren oftare.

Skydda miljön



Separat insamling. Produkter och batterier som är markerade med denna symbol får inte kastas i de vanliga hushållsoporna.

Tänk på miljön när du slänger denna Black & Decker-produkt. Släng den inte tillsammans med hushållsavfallet. Gör denna produkt tillgänglig för separat insamling.

Separat insamling av använda produkter och förpackningar möjliggör att ämnena kan återvinnas och användas igen.

Återanvändning av återvunna ämnen bidrar till att förhindra miljöföroreningar och minskar behovet av råmaterial.

Lokala bestämmelser kan ge anvisningar för separat insamling av elektriska produkter från hushållen, på kommunala avfallsanläggningar eller via återförsäljaren när du köper en ny vara.

Black & Decker samlar in och återvinner uttjänta Black & Decker-produkter. För att utnyttja denna tjänst, återsänd din vara till något behörigt reparationsombud, som kommer att tillvarata den å dina vägnar.

För information om närmaste auktoriserade verkstad, kontakta det lokala Black & Decker-kontoret på den adress som är angiven i bruksanvisningen. En lista över alla auktoriserade Black & Decker verkstäder samt fullständiga detaljer om våd kundtjänst och kontakter finns tillgängliga på Internet på: www.2helpU.com

Kassera batterierna på ett miljövänligt sätt när de är förbrukade:

- ◆ Låt batteriet laddas ur helt och ta sedan ut det ur verktyget.
- ◆ Batterier av typerna nickelkadmiium (NiCd), nickelmetallhydrid (NiMH) och litiumjon kan återvinnas. Placera batterierna i en lämplig förpackning så att polerna

inte kan kortslutas. Ta med dem till en auktoriserad verkstad eller en återvinningsstation.

- ◆ Undvik att kortsluta batteripolerna.
- ◆ Bränn aldrig batterier eftersom det kan leda till personskador eller orsaka en explosion.

Tekniska data

CLM3820		
Inspänning	V _{ec}	36 V
Obelastad hastighet	min-1	3500
Vikt	kg	16,2
Batteri		BL2036
Spänning	V _{oc}	36 V
Kapacitet	Ah	2
Typ		Li-jon
Laddare		LCS36 typ. 1
Inspänning	V _{ac}	230 V
Utspänning	V _{oc}	36 V
Strömstyrka	A	1300
Laddningstid cirka	h	1,0-2,0

Vibrationspåverkan på hand/arm:
= < 2,5 m/s², osäkerhet (K) = 1,5 m/s².

L_{wa} (ljudnivå) 80 dB(A)
osäkerhet (K) = 3 dB(A)

Klippyta:

- ◆ Den här gräsklipparen kan klippa upp till 300 m² med ett 2 Ah-batteri.
- ◆ Den här ytan (300 m²) klipps med ett enda, fulladdat, 2 Ah-batteri under torra förhållanden med höjjusteringsspaken i läge 6 under normala växtförhållanden.
- ◆ Under fuktiga förhållanden, lägre höjdställning eller kraftig gräsväxt kan klippytan vara mindre än 300 m².

EG-försäkran om överensstämmelse
MASKINDIREKTIVET
BULLERFÖRESKRIFTER, UTOHMUS



CLM3820 gräsklippare

Black & Decker försäkrar att dessa produkter, beskrivna under

"tekniska data" uppfyller:

2006/42/EG, EN 60335-1:2012/A13:2017;

EN 60335-2-77:2010; EN 62233:2008

2000/14/EG, Gräsklippare, L < 50 cm, Bilaga VI,

TÜV SÜD Industrie Service GmbH

Westendstraße 199, 80686 München

Land: Tyskland

Anmält organ nummer: 0036

LWA (uppmätt ljudeffekt) 92 dB(A),

Osäkerhet (K) = 2,25 dB(A),

L_{WA} (garanterad ljudnivå) 96 dB(A).

De här produkterna överensstämmer även med direktiven 2014/30/EU och 2011/65/EU. Kontakta Black & Decker för ytterligare information på följande adress, eller se handbokens baksida.

Undertecknad är ansvarig för sammanställningen av tekniska data och gör denna försäkran för Black & Decker.



Patrick Diepenbach
General Manager, Benelux
Black and Decker,
Egide Walschaertsstraat 14-18
2800 Mechelen, Belgien
2022.03.16

Garanti

Black & Decker är säker på kvaliteten hos denna produkt och erbjuder kunder 24 månaders garanti från inköpsdatumet. Denna garanti gäller utöver konsumentens rättigheter enligt lag och påverkar inte dessa. Garantin är giltig i de områden som tillhör medlemsstaterna i Europeiska unionen och det europeiska frihandelsområdet.

För yrkande under garantin måste yrkandet vara i enlighet med Black&Deckers villkor och du kommer att behöva skicka in bevis på köpet till försäljaren eller en auktoriserad reparatör. Villkoren för Black&Deckers tvååriga garanti och var du hittar din närmaste auktoriserade reparatör kan erhållas på internet på www.2helpU.com, eller genom att kontakta ditt lokala Black & Decker-kontor på adressen som angetts i denna bruksanvisning.

Besök vår webbplats www.blackanddecker.se för att registrera din nya Black & Decker-produkt samt för att få information om nya produkter och specialerbjudanden.

Tiltenkt bruk

Denne BLACK+DECKER CLM3820 gressklipperen er konstruert for å klippe gress. Apparatet er kun beregnet for privat bruk.

Sikkerhetsanvisninger

Advarsel! Når du bruker batteridrevne apparater, må du alltid ta grunnleggende forholdsregler når det gjelder sikkerhet, blant annet dem som er beskrevet nedenfor, for å redusere risikoen for brann, elektrisk støt, personskade og materiell skade.

Advarsel! Når du bruker maskinen, må du følge sikkerhetsreglene.

Les disse instruksjonene før du bruker maskinen, for å ivareta sikkerheten for deg selv og personer i nærheten.

Ta vare på instruksjonene for senere bruk.

- ♦ Apparatet er ikke ment for bruk av personer (inkludert barn) med redusert fysiske, sensoriske eller mentale evner, eller mangel på erfaring og kunnskap, med mindre de får tilsyn eller har blitt opplært i bruk av apparatet av en person ansvarlig for deres sikkerhet.
- ♦ Hold barn under oppsyn for å passe på at de ikke leker med apparatet.
- ♦ Hvis strømledningen blir skadet, må den byttes av produsenten eller et autorisert BLACK+DECKER-servicesenter for å unngå fare.
- ♦ Les hele denne håndboken nøye før du bruker apparatet.
- ♦ Beregnet bruk er beskrevet i denne håndboken. Hvis du bruker annet

tilbehør, kobler til annet utstyr eller bruker dette apparatet til andre oppgaver enn det som er anbefalt i denne håndboken, kan det føre til fare for personskade.

- ♦ Ta vare på denne håndboken for fremtidig bruk.

Bruke produktet

Vær alltid forsiktig når du bruker apparatet.

- ♦ Det er ikke meningen at dette apparatet skal brukes av unge eller svakelige personer uten tilsyn.
- ♦ Apparatet skal ikke brukes som leketøy.
- ♦ Pass på at barn og dyr ikke kommer i nærheten av arbeidsområdet, og at de ikke berører apparatet eller strømledningen.
- ♦ Pass ekstra godt på når apparatet brukes i nærheten av barn.
- ♦ Brukes bare i tørre omgivelser. Ikke la apparatet bli vått.
- ♦ Ikke senk produktet ned i vann.
- ♦ Ikke åpne maskinkassen. Verktøyet inneholder ingen deler som kan vedlikeholdes av brukeren.
- ♦ Ikke bruk apparatet i omgivelser med eksplosjonsfare, for eksempel på steder der det finnes brennbare væsker, gasser eller støv.
- ♦ Dra aldri i kabelen når du skal ta støpselet ut av stikkontakten. Dermed reduserer du risikoen for skade på støpsel og kabel.

Etter bruk

- ◆ Når apparatet ikke er i bruk, skal det oppbevares på et tørt og godt ventilert sted og utilgjengelig for barn.
- ◆ Barn skal ikke ha tilgang til maskiner som oppbevares.
- ◆ Når apparatet oppbevares eller transporteres i et kjøretøy, bør det plasseres i bagasjerommet eller festes, slik at det ikke påvirkes av raske farts- eller retningsendringer.

Kontroll og reparasjon

- ◆ Kontroller at apparatet ikke er skadet eller har defekte deler før du bruker det. Undersøk om brytere eller andre deler er skadet, eller om det er andre forhold som kan påvirke bruken.
- ◆ Ikke bruk apparatet hvis en del er skadet eller defekt.
- ◆ Overlat reparasjon eller utskifting av skadde eller defekte deler til et autorisert serviceverksted.
- ◆ Forsøk aldri å fjerne eller bytte ut andre deler enn delene som er oppgitt i denne håndboken.
- ◆ Vær forsiktig når du justerer gressklipperen, slik at du ikke klemmer fingrene mellom bevegelige blader/ deler og faste deler på maskinen.
- ◆ Ved service av bladene vær oppmerksom på at når strømkilden er slått av så kan bladene fortsatt bevege seg.

Ekstra sikkerhetsinstruksjoner for gressklippere

- ◆ Hold godt fast i håndtaket med begge

hender når du bruker gressklipperen.

- ◆ Hvis det på noe tidspunkt er nødvendig å vippe gressklipperen til én side, sørg for at begge hender forblir i denne betjeningsposisjonen mens gressklipperen vippes. Hold begge hender i betjeningsposisjonen helt til gressklipperen er satt riktig tilbake på bakken igjen.
- ◆ Du må aldri bruke hodetelefoner for radio eller musikk når du bruker gressklipperen.
- ◆ Forsøk aldri å justere høyden på hjulene mens motoren går, eller mens sikkerhetsnøkkelen er i bryterhuset.
- ◆ Hvis gressklipperen kjører seg fast, slipper du sikkerhetshåndtaket for å slå gressklipperen av, venter til bladet har stoppet og tar ut sikkerhetsnøkkelen før du prøver å fjerne tilstoppingen eller fjerne noe under.
- ◆ Hold hendene og føttene borte fra skjæreområdet.
- ◆ Hold bladene skarpe. Bruk alltid vernehansker når du håndterer bladet på gressklipperen.
- ◆ Hvis du bruker gressoppsamleren, må du jevnlig kontrollere om den er slitt eller skadet. Hvis den er svært slitt, må du bytte den ut med en ny gressoppsamler for din egen sikkerhets skyld.
- ◆ Vær svært forsiktig når du kjører gressklipperen bakover eller trekker den mot deg.
- ◆ Ikke ha hendene eller føttene i nærheten av eller under

gressklipperen. Hold deg alltid unna utkasteråpningen.

- ◆ Rydd området der gressklipperen skal brukes, for gjenstander som steiner, pinner, tråder, leker, bein osv. som bladet kan kaste.

Gjenstander som treffes av bladet, kan påføre personer alvorlige skader. Hold deg bak håndtaket når motoren er i gang.

- ◆ Ikke bruk gressklipperen barbent eller når du har på sandaler. Bruk alltid solid fotteøy.
- ◆ Ikke trekk gressklipperen bakover med mindre det er absolutt nødvendig. Se alltid nedover og bak før og mens du beveger deg bakover.
- ◆ Du må aldri rette materiale som kastes ut, mot noen. Unngå at materiale blir kastet ut mot en vegg eller hindring. Materiale kan bli kastet tilbake mot brukeren. Slipp sikkerhetshåndtaket for å slå gressklipperen av og stoppe bladet når du krysser gruslagte flater.
- ◆ Ikke bruk gressklipperen med mindre hele gressoppsamleren, utmatingsvernet, det bakre vernet eller annet sikkerhetsutstyr er på plass og fungerer. Kontroller alle verneinnretninger og alt sikkerhetsutstyr regelmessig for å sikre at dette er i god stand, fungerer riktig og utfører den funksjonen det er beregnet for. Hvis et vern eller annet sikkerhetsutstyr er skadet, bytter du det ut før videre bruk.
- ◆ Du må aldri la en gressklipper være uten tilsyn når den går. Hvis

gressklipperen skal være uten tilsyn, må du alltid ta ut sikkerhetsnøkkelen.

- ◆ Slipp alltid sikkerhetshåndtaket for å stoppe motoren, vent til bladet stopper helt, og ta ut sikkerhetsnøkkelen før du rengjør gressklipperen, tar av gressoppsamleren eller fjerner tilstopping ved utmatingsvernet, når du forlater gressklipperen, eller før du utfører noen justeringer, reparasjoner eller kontroller.
- ◆ Ruk gressklipperen bare i dagslys eller godt kunstig lys når gjenstander i banen til bladet er godt synlige fra betjeningsområdet for gressklipperen.
- ◆ Ikke bruk gressklipperen dersom du er påvirket av alkohol eller rusmidler, eller dersom du er trøtt eller syk. Vær alltid oppmerksom, se hva du gjør og bruk sunn fornuft.
- ◆ Unngå farlige omgivelser. Du må aldri bruke gressklipperen i fuktig eller vått gress, og aldri når det regner. Pass på at du alltid har godt fotfeste. Gå, aldri løp.
- ◆ Hvis gressklipperen begynner å vibrere unormalt, slipper du sikkerhetshåndtaket, venter til bladet stopper og tar ut sikkerhetsnøkkelen. Undersøk deretter straks årsaken. Unormal vibrasjon er vanligvis en advarsel om at noe er galt. Du kan se etter råd i feilrettingsuiden i slike tilfeller.
- ◆ Bruk alltid tilfredsstillende øye- og åndedrettsbeskyttelse når du bruker gressklipperen.
- ◆ Det kan være farlig å bruke tilbehør

- eller tilkoblet utstyr som ikke er anbefalt for bruk sammen med denne gressklipperen. Bruk bare tilbehør som er godkjent av BLACK+DECKER.
- ♦ Du må aldri strekke deg for langt når du bruker gressklipperen. Pass på at du alltid har sikkert fotfeste og god balanse mens du bruker gressklipperen.
 - ♦ Slå gresset på langs av skråninger, aldri opp og ned. Vær svært forsiktig når du endrer retning i skråninger.
 - ♦ Se opp for hull, spor, humper, steiner eller andre skjulte ting. Ujevnt terreng kan føre til uhell der man sklir og faller. Høyt gress kan skjule hindringer.
 - ♦ Ikke bruk gressklipperen på vått gress eller i svært bratte skråninger. Dårlig fotfeste kan føre til uhell der man sklir og faller.
 - ♦ Ikke bruk gressklipperen i nærheten av skråninger, grøfter eller skrenter. Du kan miste fotfestet eller balansen.
 - ♦ La alltid gressklipperen bli avkjølt før den settes til oppbevaring.

Andre risikoer.

Når verktøyet brukes, kan det oppstå ytterligere risikoer som kanskje ikke er beskrevet i de medfølgende sikkerhetsadvarslene. Disse risikoene kan bli forårsaket av feil bruk, langvarig bruk osv.

Selv om de relevante sikkerhetsbestemmelsene blir fulgt, og sikkerhetstiltakene blir gjennomført, kan visse gjenværende risikoer ikke unngås. Disse inkluderer:

- ♦ Personskader som forårsakes av berøring av en roterende/ bevegelig del.
- ♦ Personskader som forårsakes av at en del, et blad eller tilbehør endres.
- ♦ Personskader som forårsakes av langvarig bruk av et verktøy. Når du bruker et verktøy i lange perioder, må du sørge for å ta regelmessige pauser.
- ♦ Hørselskader.
- ♦ Helsefarer som skyldes innånding av støv som dannes når du bruker verktøyet (for eksempel under arbeid med tre, spesielt eik, bøk og MDF.)

Advarselssymboler

Følgende advarselssymboler vises på maskinen sammen med datokoden:



Advarsel! Les håndboken før bruk.



Ikke utsett maskinen for regn eller høy fuktighet.



Se opp for skarpe blader. Ta alltid ut sikkerhetsnøkkelen før du rengjør gressklipperen, tar av gressposen eller fjerner tilstopping ved utmatingsvernet når du forlater gressklipperen, eller før du utfører justeringer, reparasjoner eller undersøkelser.



Se opp for gjenstander som kastes rundt. Hold personer i nærheten borte fra klippeområdet.



Bruk vernebriller



Bladene vil fortsette å rotere etter at maskinen er slått av.



Garantert lydeffekt i henhold til direktiv 2000/14/EF.

Ytterligere sikkerhetsinstruksjoner for batterier og ladere

Batterier

- ◆ Forsøk aldri å åpne av noen årsak.
- ◆ Ikke utsett batteriet for vann.
- ◆ Ikke utsett batteriet for varme.
- ◆ Ikke oppbevar det på steder hvor temperaturen kan komme over 40 °C.
- ◆ Bare lade ved omgivelsestemperaturer mellom 10 °C og 40 °C.
- ◆ Bruk bare den laderen som følger med apparatet/verktøyet. Hvis du bruker feil lader, kan dette føre til et elektrisk støt eller at batteriet overopphetes.
- ◆ Følg instruksjonene i avsnittet "Miljøvern" når du skal kaste batterier.
- ◆ Ikke skad eller deformer batteripakken ved punktering eller støt, da dette kan føre til risiko for personskade og brann.
- ◆ Du må ikke lade skadede batterier.
- ◆ Under ekstreme forhold kan batterilekkasje forekomme. Hvis du oppdager væske på batteriene, må du tørke den forsiktig av med en klut. Unngå kontakt med huden.
- ◆ Hvis væsken kommer i kontakt

med huden eller øynene, følger du instruksjonene nedenfor.

Advarsel! Batterivæsken kan føre til personskade eller skade på eiendom. Ved hudkontakt skyller du umiddelbart med vann. Hvis huden blir rød eller irritert eller smerter inntreffer, søk øyeblikkelig medisinsk hjelp. Hvis væsken kommer i kontakt med øynene, skyller du umiddelbart med rent vann og søker øyeblikkelig medisinsk hjelp.



Ikke forsøk å lade opp skadede batterier.

Ladere

Laderen er konstruert for en bestemt spenning. Kontroller alltid at nettspenningen er i overensstemmelse med spenningen på typeskiltet.

Advarsel! Ikke skift ut laderen med et vanlig nettstøpsel.

- ◆ Bruk bare BLACK+DECKER-laderen til å lade batteriet i apparatet som laderen ble levert sammen med. Andre batterier kan sprekke og føre til personskade og materiell skade.
- ◆ Prøv aldri å lade ikke-oppladbare batterier.
- ◆ Hvis strømledningen blir skadet, må den byttes av produsenten eller et autorisert BLACK+DECKER-servicesenter for å unngå fare.
- ◆ Skal ikke utsettes for vann.
- ◆ Ikke åpne laderen.
- ◆ Ikke stikk gjenstander eller fingre inn i laderen.

- ◆ Apparatet, verktøyet eller batteriet må plasseres på et sted med god gjennomlufting under ladning.



Laderen er bare beregnet for innendørs bruk.



Les denne håndboken før bruk.

Elektrisk sikkerhet



Denne laderen er dobbeltisolert. Jording er derfor ikke nødvendig. Kontroller alltid at nettspenningen er i overensstemmelse med spenningen på typeskiltet. Ikke skift ut laderen med et vanlig nettstøpsel.

Funksjoner

Dette apparatet har noen av eller alle funksjonene nedenfor.

1. Sikkerhetsnøkkel
2. Sikkerhetshåndtak
3. Opplåsningsknapp
4. Håndtak
5. Kabelklemmer
6. Håndtak, øvre
7. Hurtigtutløser for øvre del av håndtak
8. Indikator for full gressoppsamler
9. Gressoppsamler
10. Nedre del av håndtak
11. Hurtigtutløser for nedre del av håndtak
12. Fjærbelastet bakre dør
13. Høydejusteringsspak
14. Batterilokk
15. Batteridekselutløser
16. Håndtak

Montering

Advarsel! Før montering må du passe på at verktøyet er slått av, og at sikkerhetsnøkkelen og batteriet er tatt ut.

Montere gressoppsamleren (Fig. A - C)

Gressoppsamleren leveres i 3 deler og må monteres før bruk.

- ◆ Sett sammen de 2 sidene av gressoppsamleren (9) (Fig. A). Pass på at alle klemmer og styretapper er justert riktig.
- ◆ Sett lokket (17) på den monterte gressoppsamleren. Pass på at styretappene og klemmene er justert riktig.

Merk: Vær ekstra nøye når du justerer klemmene bak på gressoppsamleren.

- ◆ Trykk lokket ned for å feste alle klemmene. Begynn fremst og jobb deg bakover. Kontroller at alle klemmene sitter godt.

Montere den nedre delen av håndtaket (Fig. D og E)

- ◆ Ta hurtigtutløserne for den nedre delen av håndtaket (11) av selve gressklipperen.
- ◆ Plasser den nedre delen av håndtaket (10) på selve gressklipperen, og pass på at de tre hakkene (18) på den nedre delen av håndtaket (10) vender oppover.
- ◆ Skru hurtigtutløserne for den nedre delen av håndtaket (11) gjennom den nedre delen av håndtaket og på selve gressklipperen. Når hurtigtutløserne for den nedre delen av håndtaket er skrudd halvveis inn, lukker du hurtigtutløserne (Fig. E) og kontrollerer at taggene på håndtaket og selve gressklipperen griper inn i hverandre. Hvis koblingen mellom håndtaket og hurtigtutløserne er for stram eller løs, justerer du dybden til hurtigtutløserne og lukker dem igjen inntil taggene griper ordentlig inn i hverandre.

Montere den øvre delen av håndtaket (Fig. F og G)

- ◆ Fest den øvre delen av håndtaket (6) til den nedre delen (10) med hurtigtutløserne for den øvre delen av håndtaket (7) og mutterne (19) som vist.
- ◆ Skru hurtigtutløserne for den øvre delen av håndtaket (7) gjennom den nedre delen av håndtaket, og skru på mutterne (20). Når hurtigtutløserne for den øvre delen av håndtaket er skrudd halvveis inn, lukker du hurtigtutløserne (Fig. G). Hvis koblingen mellom håndtaket og hurtigtutløserne er for stram eller løs, justerer du dybden til hurtigtutløserne og lukker dem igjen inntil taggene griper ordentlig inn i hverandre.

Justere håndtakets høyde (Fig. H)

- ◆ Åpne hurtigtutløseren for den nedre delen av håndtaket som vist.
- ◆ Hev eller senk håndtaket til en av de 3 merkede posisjonene ved siden av hurtigtutløserne for den nedre delen av håndtaket.
- ◆ Lukk hurtigtutløserne for den nedre delen av håndtaket (11), og kontroller at taggene på håndtaket og selve gressklipperen griper inn i hverandre. Hvis koblingen mellom håndtaket og hurtigtutløserne er for stram eller løs, justerer du dybden til hurtigtutløserne og lukker dem igjen inntil taggene griper ordentlig inn i hverandre.

Feste motorkabelen

Motorkabelen må festes med kabelklemmene.

- ◆ Fest kabelen til øvre og nedre del av håndtaket ved hjelp av kabelklemmene (5).

Montere gressoppsamleren (Fig. I og J)

- ◆ Løft den gjennomskitige gressklaffen (12) og plasser gressoppsamleren (9) opp på tappene (20).

Justere hjulhøyden (Fig. K og L)

Gressklipperen er utstyrt med BLACK+DECKER enkle høydejusteringssystem. Dette systemet justerer alle fire hjulene samtidig.

Gressklipperen har seks justeringsposisjoner for blad høyde (30 mm til 80 mm). Se skalaen på siden av gressklipperen. Peken indikerer høydeinnstillingen gressklipperen har når du klipper plenen.

Du kan bruke denne innstillingen som referanse neste gang du ønsker å klippe plenen i samme høyde.

- ◆ Slipp sikkerhetshåndtaket (2) for å slå gressklipperen av, vent til bladet stopper og ta ut sikkerhetsnøkkelen (1).
- ◆ Vil du heve eller senke klippehøyden, plasserer du håndflaten på håndtaket (21) og drar høydejusteringsspaken (13) ut fra selve gressklipperen.
- ◆ Flytt høydejusteringsspaken (13) til ønsket posisjon, og trykk den deretter inn mot selve gressklipperen igjen.

Merk: Kontroller at spaken sitter godt fast i en av de seks posisjonene.

Ta ut og sette in batteriet (Fig. O)

Før du tar ut batteriet:

- ◆ Plasser gressklipperen på et jevt underlag.
- ◆ Slipp sikkerhetshåndtaket (2) for å slå gressklipperen av, vent til bladet stopper og ta ut sikkerhetsnøkkelen (1).

Slik tar du ut batteriet:

- ◆ Dra batteridekselutløseren (15) mot fronten av selve gressklipperen, og løft batteridekselet (14).
- ◆ Løft batteriet (22) ut av gressklipperen.

Slik setter du inn batteriet

- ◆ Dra batteridekselutløseren (15) mot fronten av selve gressklipperen, og løft batteridekselet (14).
- ◆ Sett batteriet (22) i gressklipperen. (Batteriet kan bare settes i på én måte.)

Bruk

Advarsel! La apparatet arbeide i sitt eget tempo.

Må ikke overbelastes.

Lade batteriet (Fig. M)

Batteriet må lades før første gang det brukes, og hver gang

det ikke lenger gir nok strøm til oppgaver som tidligere ble utført uten problemer. Batteriet kan bli varmt under lading. Dette er normalt og innebærer ikke feil.

Advarsel! Ikke lad batteriet ved omgivelsestemperaturer under 10 °C eller over 40 °C. Anbefalt ladetemperatur er ca. 24 °C.

Merk: Laderen vil ikke lade et batteri hvis celleteperaturen er under ca. 0 °C eller over 40 °C.

Du bør la batteriet stå i laderen. Laderen begynner å lade automatisk når celleteperaturen blir høyere eller lavere.

- ◆ Når du skal lade batteriet (22), setter du det inn i laderen (23). Batteriet kan bare settes i laderen på én måte. Ikke bruk kraft. Pass på at batteriet sitter helt inne i laderen.
 - ◆ Plugg i laderen og slå på ved å koble til nettstrøm.
- Ladeindikatoren (24) blinker grønt kontinuerlig (langsomt). Ladingen er fullført når ladeindikatoren (24) lyser grønt kontinuerlig. Laderen og batteriet kan være tilkoblet så lenge du vil mens LED-en lyser. LED-lyset begynner å blinke grønt (lader) når laderen av og til "fyller på" batteriet. Ladeindikatoren (24) lyser så lenge batteriet er tilkoblet laderen, og denne er koblet til strømmen.
- ◆ Lad utladede batterier innen 1 uke. Batterienes levetid blir mye kortere hvis de oppbevares utladet.

La batteriet være i laderen

Laderen og batteripakken kan forbli tilkoblet med lysende LED-lys i ubegrenset tid. Laderen holder batteripakken klar og fulladet.

Laderdiagnose

Hvis laderen oppdager et svakt eller skadet batteri, blinker ladeindikatoren (24) rødt i rask takt.

Fortsett som følger:

- ◆ Sett inn batteriet (22) på nytt.
- ◆ Hvis ladingindikatoren fortsetter å blinke rødt med rask takt, bruker du et annet batteri til å finne ut om ladingprosessen fungerer riktig.
- ◆ Hvis det andre batteriet lades korrekt, er det opprinnelige batteriet defekt og bør leveres til et servicesenter for resirkulering.
- ◆ Hvis det nye batteriet gir samme indikasjon som det opprinnelige batteriet, bringer du laderen til et autorisert servicesenter.

Merk: Det kan ta så mye som 30 minutter å avgjøre om batteriet er defekt.

Hvis batteriet er for varmt eller for kaldt, blinker LED-lampen rødt vekslende raskt og langsomt, ett blink ved hver hastighet med gjentakelse.

Ladeindikator (Fig. N)

Batteriet er utstyrt med en ladeindikator. Denne kan brukes til å vise batteriets ladenivå under bruk og under lading.

- ◆ Trykk på ladeindikatorknappen (25).

Sikkerhetsnøkkel (Fig. P)

Ta ut sikkerhetsnøkkelen:

- ◆ Når maskinen er uten tilsyn.
- ◆ Før du fjerner en tilstopping.
- ◆ Før du kontrollerer, rengjør eller arbeider på maskinen.
- ◆ Etter at du har truffet en fremmed gjenstand.
- ◆ Når maskinen begynner å vibrere unormalt.

Slå på og av (Fig. P og Q)

Advarsel! Skarpt blad i bevegelse. Du må aldri forsøke å overstyre funksjonen til denne bryteren og sikkerhetsnøkkelsystemet. Dette kan medføre alvorlig personskade.

Slå på

- ◆ Sett sikkerhetsnøkkelen (1) helt inn i bryterhuset.
- ◆ Trykk på opplåsingsknappen (3) oppå bryterhuset.
- ◆ Trekk bladsikkerhetshåndtaket (2) mot håndtaket (4).

Slå av

- ◆ Slipp bladsikkerhetshåndtaket (2) for å slå gressklipperen av.

Når sikkerhetshåndtaket (2) har returnert til den opprinnelige posisjonen, aktiveres den automatiske bremsemekanismen. Motoren bremses elektrisk, og bladet på gressklipperen slutter å rotere innen 3 sekunder eller mindre.

Indikator for full gressoppsamler (Fig. R)

Gressklipperen er utstyrt med en indikator som gjør at du enkelt kan se når gressoppsamleren er full og må tømmes.

- ◆ Når gressklipperen brukes og gressoppsamleren er tom, er indikatoren åpen (26).
- ◆ Når gressklipperen brukes og gressoppsamleren er full, er indikatoren lukket (27).

Råd for optimal bruk

- ◆ Om våren bør plener først klippes når gresset er rundt 63 mm til 76 mm høyt. Hvis du klipper for tidlig i sesongen, begrenser du rotsystemene til gresset som fornyer seg hver vår. Nytt gress bør klippes når det er rundt 63 mm høyt.
- ◆ Ikke fjern for mye av gressdekket samtidig og aldri mer enn 1/3 av gresshøyden i løpet av hver klipp. Hvis du klipper for lavt, får sensitive gressstrå "sjokk", og dette fører til et overfladisk rotsystem som gjør det vanskeligere for plenen å ta opp vann fra jordbunnen.
- ◆ Klipp plenen når den er tørr, slik at du unngår klumper med vått gress. Hvis du kan velge, så er det beste tidspunktet for å klippe gress på ettermiddagen. Dette er ikke bare fordi gresset er tørt, men fordi det sensitive, nyklippede området med gress ikke vil bli utsatt for intenst sollys.
- ◆ Hold klippebladet skarpt slik at du får en fin og ren

klipp. Dette forbedrer gressklipperens ytelse og plenens utseende. Et sløvt blad knuser og skader gressstoppene. Dette skader den friske veksten til plenen og øker mottakeligheten for gressykdommer. Hvis gressstoppene er skadet, forårsaker dette en brunaktig farge som gjør at plenen ikke ser frisk ut. Et sløvt blad kan også dra opp unge frøplanter i gresset.

- ◆ Forsøk å klippe plenen med en jevn klippehøyde. Selv om du enkelte ganger bør variere klippehøyden ut i fra de ulike sesongene, så vil en jevn klippehøyde gi en friskere og penere plen med generelt mindre ugress. Klipp oftere i perioder med rask vekst. Hvis du klipper ofte, sørger dette for at den lave og mindre attraktive delen av gresset ikke vises.
- ◆ Hvis plenen har blitt for lang, for eksempel i en ferie, klipp med en klippehøyde som er én eller to posisjoner høyere enn normalt. Hvis du klipper en gang til med den vanlige klippehøyden noen dager senere, vil plenen være tilbake i normalt gjenge.
- ◆ Det er ingen sak å endre klippehøyde med BLACK+DECKER innstilling "One Touch Wheel Height" som justerer alle fire hjulene samtidig.
- ◆ Om våren eller høsten, eller etter et avbrudd i klippeplanen, vil gresset være lengre og tykkere. Hvis motoren stadig senker farten under klipping, forsøk å stille inn hjulene til en høyere klippehøyde. Overdreven belastning av motoren kan føre til en ujevn klipp og at batteriet utlades raskere, og det kan føre til overbelastning av motoren som gjør at den stopper.
- ◆ Det er tre gode måter å forbedre plenens utseende på: Varier klipperetningen regelmessig, klipp horisontalt i bakker (dette er også en god sikkerhetsregel), og ikke glem å overlape klippefeltet ved hver passering.

Klippetips

Merk: Sjekk alltid området der gressklipperen skal brukes, og fjern alle steiner, pinner, tråd, bein og annet avfall som det roterende bladet kan kaste ut.

- ◆ Slå gresset på langs i skråninger, aldri opp og ned. Vær svært forsiktig når du endrer retning i skråninger. Ikke klipp gresset i svært bratte skråninger. Pass på at du alltid opprettholder et godt fotfeste.
- ◆ Slipp sikkerhetshåndtaket (2) for å slå gressklipperen av når du krysser områder med grus, ettersom steiner kan bli kastet ut av det roterende bladet.
- ◆ Still gressklipperen inn på den høyeste klippehøyden når du beveger deg på ujevnt underlag eller over høyt ugress. Hvis du slår for store mengder gress samtidig, kan motoren bli overbelastet og gressklipperen stoppe. Se i problemløsningsveiledningen. Hvis du bruker gressoppsamleren (9) i vekstsesongen, kan gresset ha en tendens til å klumpe seg i utmatingsåpningen.

- ◆ Slipp sikkerhetshåndtaket (2) for å slå gressklipperen av, og ta ut sikkerhetsnøkkelen (1).
- ◆ Ta av gressoppsamleren (9), og rist gresset bakover i oppsamleren.
- ◆ Fjern gress eller avfall som kan ha samlet seg rundt utmatingsåpningen.
- ◆ Sett gressoppsamleren (9) på plass igjen.

Hvis gressklipperen begynner å vibrere på en unormal måte:

- ◆ Slipp straks sikkerhetshåndtaket (2) for å slå gressklipperen av, og ta ut sikkerhetsnøkkelen (1) og batteripakken (22).
- ◆ Undersøk årsaken til vibrasjonen. Vibrasjon er en advarsel. Ikke bruk gressklipperen før det er blitt utført en servicekontroll. Se i problemløsningsveiledningen i håndboken.

Merk: Slipp alltid sikkerhetshåndtaket for å slå gressklipperen av, og ta ut sikkerhetsnøkkelen når den er uten tilsyn, selv om det bare er for en kort periode.

De følgende forslagene vil hjelpe deg med å oppnå optimal brukstid av den batteridrevne gressklipperen:

- ◆ Senk farten i områder hvor gresset er spesielt langt eller tykt.
- ◆ Unngå å slå gresset når det er vått.
- ◆ Klipp plenen regelmessig, og særlig i løpet av perioder med mye vekst.

Vedlikehold

BLACK+DECKER maskinen/-verktøyet med eller uten ledning er laget for å brukes over lang tid med et minimum av vedlikehold. Verktøyet/apparatet er avhengig av riktig stell og regelmessig rengjøring for å fungere som det skal til enhver tid.

Laderen krever ikke annet vedlikehold enn regelmessig rengjøring.

Advarsel! Før du utfører vedlikehold på elektriskdrevet/batteridrevet elektroverktøy:

- ◆ Slå av apparatet/verktøyet og trekk ut støpselet.
- ◆ Eller la batteriet gå helt tomt hvis det er innebygd, og slå deretter av.
- ◆ Trekk ut laderen fra stikkkontakten før du rengjør den. Laderen krever ikke annet vedlikehold enn regelmessig rengjøring.
- ◆ Rengjør ventilasjonsåpningene i verktøy/apparat og lader jevnlig med en myk børste eller tørr klut.
- ◆ Rengjør motorhuset regelmessig med en fuktig klut. Ikke bruk slipende eller løsemiddelbaserte rengjøringsmidler.
- ◆ Bruk et butt skraperedskap regelmessig for å fjerne gress og jord fra undersiden av vernet.

Demontere og montere bladet (Fig. S, T og U)

Advarsel! Du må ikke berøre bladet før sikkerhetsnøkkelen er tatt ut og bladene har stoppet helt opp.

- ◆ Slipp sikkerhetshåndtaket (2) for å slå gressklipperen av,

vent til bladet stopper og ta ut sikkerhetsnøkkelen (1).

- ◆ Skjær til et trestykke (på ca. 50 mm x 100 mm x 600 mm) som du kan bruke for å hindre at bladet beveger seg mens du fjerner flensmutteren (29).
- ◆ Legg gressklipperen på siden.

Advarsel! Bruk hansker og tilfredsstillende øyeskyttelse.

Vær oppmerksom på de skarpe kantene til bladet.

- ◆ Plasser trestykket (28), og fjern flensmutteren (29) med en 13 mm skrunøkkel (Fig. S).
- ◆ Ta av sikringsskiven (30), bladet (31), den kvadratiske bladskinnen (32) og viften (33) (Fig. T). Undersøk om bladskinnen (32) og viften (33) er skadet, og bytt dem om nødvendig.

Når du monterer bladet, må du passe på at bladets gresside (som indikeres av piler på begge kortsidene) vender mot bakken når gressklipperen settes i normal, oppreist stilling igjen.

- ◆ Monter viften (33). Pass på at viftebladene (34) monteres slik at de vender inn mot gressklipperen.
- ◆ Monter bladskinnen (32). Pass på at de D-formede tappene (35) plasseres slik at de vender ut og bort fra gressklipperen.
- ◆ Pass på at de flate sidene av hullet i viften (33) og bladskinnen (32) ligger mot akslingens flate sider.
- ◆ Sett bladet (31) på bladskinnen (32) med pilene vendt utover.
- ◆ Plasser trestykket (28) slik at det hindrer bladet (31) i å rotere (Fig. U).
- ◆ Sett på sikringsskiven (30) og flensmutteren (29), og fest dem deretter med en 13 mm skrunøkkel.

Slipe bladet (Fig. V)

Hold bladet skarpt for å oppnå best mulig resultat. Et sløvt blad klipper ikke gresset med et rent snitt og gir ikke en ordentlig bioklipp.

Advarsel! Pass alltid på at sikkerhetsnøkkelen er tatt ut.

Advarsel! Bruk tilfredsstillende øyeskyttelse når du demonterer, sliper og monterer et blad.

I normale forhold er det vanligvis tilstrekkelig å slippe bladet to ganger i løpet av en klippesesong. Sand gjør at bladet blir raskt sløvt. Hvis plenen har sandete jordbunn, kan det være nødvendig å slippe oftere.

- ◆ Skift straks ut bøyde eller skadde blad.

Når du sliper bladet:

- ◆ Sørg for at bladet holder seg balansert.
- ◆ Slip bladet i den opprinnelige klippevinkelen.
- ◆ Slip klippekantene på begge endene av bladet, og ta vekk like mye materiale på begge ender.

Slik sliper du et blad i en skrustikke (Fig. V)

- ◆ Slipp sikkerhetshåndtaket (2) for å slå gressklipperen av, og vent til bladet stopper helt opp.

- ◆ Ta ut sikkerhetsnøkkelen (1) og batteripakken (22), og legg gressklipperen på siden.
- ◆ Demonter bladet (31) fra gressklipperen. Du kan lese om demontering og montering av blader i instruksjonene.

Advarsel! Bruk tilfredsstillende øyebeskyttelse og hansker, og vær oppmerksom på de skarpe kantene på bladet.

- ◆ Sett bladet (31) fast i skrustikken.
- ◆ Fil forsiktig ned bladets klippekanten med en fintannet fil eller en slipestein, og oppretthold den opprinnelige klippekanten.
- ◆ Kontroller bladets balanse. Du kan lese om balansering av bladet i instruksjonene.
- ◆ Monter bladet (31) på gressklipperen, og stram godt. Du kan lese om demontering og montering av blader i instruksjonene.

Balansere bladet (Fig. W)

- ◆ Du kan kontrollere bladets balanse ved å sette en spiker eller en skrutrekker med rund klinge som er spent fast horisontalt i en skrustikke, gjennom midthullet på bladet. Hvis én av endene på bladet roterer nedover, fil den enden på bladet inntil bladet er balansert.

Smøring

Det er ikke nødvendig med smøring. Du må ikke olje hjulene. De har hullagre med overflater i plast som ikke trenger smøring.

Rengjøring

- ◆ Slipp sikkerhetshåndtaket (2) for å slå gressklipperen av, og vent til bladet stopper helt opp.
- ◆ Ta ut sikkerhetsnøkkelen (1).
- ◆ Bare bruk mild såpe og en fuktig klut til å rengjøre gressklipperen.
- ◆ Bruk et butt redskap for å rengjøre gressklipperen for avklipp som kan ha samlet seg på undersiden.
- ◆ Etter flere gangers bruk, kontroller at alle utsatte fester er stramme.

Forhindre rust

Kunstgjødsel og andre hagekjemikalier inneholder virkemidler som forårsaker at metaller ruster fortere. Hvis du klipper i områder hvor det er blitt brukt kunstgjødsel eller kjemikalier, bør gressklipperen straks rengjøres på følgende måte:

- ◆ Slipp sikkerhetshåndtaket (2) for å slå gressklipperen av, og vent til bladet stopper helt opp.
- ◆ Ta ut sikkerhetsnøkkelen (1).
- ◆ Tørk alle utsatte deler med en fuktig klut.

Transport og oppbevaring

Advarsel! Det roterende bladet kan forårsake alvorlig personskaade.

Slipp sikkerhetshåndtaket for å slå gressklipperen av, og

ta ut sikkerhetsnøkkelen før du løfter, transporterer eller oppbevarer gressklipperen. Oppbevar den på et tørt sted.
Merk: Gressklipperen blir lettere å løfte hvis batteripakken fjernes først. Ikke bruk låsen som et løftepunkt på gressklipperen.

Lagring

I varmt klima anbefales det å la batteriet lades konstant, slik at gressklipperen yter optimalt.

Batteriet kan lagres med frakoblet lader hvis de følgende vilkårene oppfylles.

- ◆ Batteriet er fulladet før oppbevaring.
- ◆ Gjennomsnittstemperaturen på oppbevaringsstedet er under 10 °C (50 °F).

Feilsøking

Hvis apparatet ikke fungerer som det skal, følger du instruksjonene nedenfor. Hvis problemet ikke løses, kontakter du ditt lokale BLACK+DECKER-serviceverksted.

Advarsel! Før du fortsetter, slipper du sikkerhetshåndtaket for å slå gressklipperen av, venter til bladet stopper og tar ut sikkerhetsnøkkelen .

Problem	Mulig løsning
Maskinen vil ikke fungere.	Sjekk for å se at sikkerhetsnøkkelen er på plass og satt ordentlig inn, og at opplåsningsknappen er trykt helt ned, før du beveger sikkerhetshåndtaket.
	Slipp sikkerhetshåndtaket for å slå gressklipperen av. Ta ut sikkerhetsnøkkelen og batteripakken, snu gressklipperen og kontroller at bladet kan rotere fritt.
	Kontroller at batterirommet er fritt for avfall, og at batteriet er riktig montert.
	Er batteriet ladet helt opp? Plugg inn laderen, og vent til det grønne lyset tennes
Motoren stopper under klipping.	Slipp sikkerhetshåndtaket for å slå gressklipperen av. Ta ut sikkerhetsnøkkelen og batteripakken. Legg gressklipperen på siden, og kontroller om bladet kan bevege seg fritt.
	Hev hjulenes klippehøyde til høyeste posisjon, og start gressklipperen.
	Kontroller at batterihullet er rent for avfall, og at det er riktig tilkoblet.
	Er batteriet ladet helt opp? Trykk på ladeknappen.
	Ikke overbelast gressklipperen. Senk farten, eller hev klippehøyden.
Maskinen kutter ujevnt, eller motoren arbeider tungt	Er batteriet ladet helt opp? Trykk på ladeknappen.
	Slipp sikkerhetshåndtaket for å slå gressklipperen av. Ta ut sikkerhetsnøkkelen og batteripakken. Legg gressklipperen på siden og kontroller: <ul style="list-style-type: none"> ◆ At bladet er skarpt – hold bladet skarpt. ◆ Om undersiden og utmatingen er tilstoppet.
	Innstillingen av hjulhøyden kan være for lav for gressforholdene. Hev klippehøyden.

Problem	Mulig løsning
Det er unormalt tungt å skyve gressklipperen.	Slipp sikkerhetshåndtaket for å slå gressklipperen av. Ta ut sikkerhetsnøkkelen og batteripakken. Hev klippehøyden for å hindre at gressklipperen sleper i gresset. Kontroller at alle hjul roterer fritt.
Gressklipperen bråker unormalt og vibrerer.	Slipp sikkerhetshåndtaket for å slå gressklipperen av. Ta ut sikkerhetsnøkkelen og batteripakken. Legg gressklipperen på siden, og kontroller at bladet ikke har blitt bøyd eller skadet. Hvis bladet er skadet, skifter du det ut med et nytt blad fra BLACK+DECKER. Hvis gressklipperens underside er skadet, leverer du inn gressklipperen til et autorisert BLACK+DECKER-servicecenter. Hvis det ikke er noen synlig skade på bladet og gressklipperen fremdeles vibrerer: <ul style="list-style-type: none"> ◆ Slipp sikkerhetshåndtaket for å slå gressklipperen av. ◆ Ta ut sikkerhetsnøkkelen og batteripakken. ◆ Demonter hele bladmodulen som beskrevet i avsnittet «Ta av og sette på bladet». ◆ Fjern avfall og rens alle delene. ◆ Sett på igjen alle delene som beskrevet i avsnittet «Ta av og sette på bladet». Hvis gressklipperen fremdeles vibrerer, leverer du inn gressklipperen til et autorisert BLACK+DECKER-servicecenter.
Gressklipperen samler ikke opp gresset.	Utmatingen er tilstoppet. Slipp sikkerhetshåndtaket for å slå gressklipperen av. Ta ut sikkerhetsnøkkelen og batteripakken. Fjern gress fra utmatingen. Hev hjulenes klippehøyde for å klippe mindre gress. Gressopsamlere er full. Tøm gressopsamlere oftere.

Miljøvern



Separat avfallshåndtering. Produkter og batterier merket med dette symbolet skal ikke kastes i vanlig husholdningsavfall.

Hvis du synes Black & Decker-produktet bør skiftes ut, eller du ikke har bruk for det lenger, må du ikke kaste det sammen med husholdningsavfall. Lever dette produktet for separat avfallshåndtering.

Separat innsamling av brukte produkter og emballasje gjør at materialene kan resirkuleres og brukes om igjen.

Gjenbruk av resirkulert materiale hjelper til med å hindre miljøforurensning og reduserer etterspørselen etter råmateriale.

Lokale forskrifter kan ha separat innsamling av elektriske produkter fra husholdningen ved kommunale søppelfyllinger, eller hos forhandleren der du kjøper et nytt produkt.

Black & Decker har en ordning for innsamling og resirkulering av Black & Decker-produkter som ikke skal brukes lenger. For å benytte deg av denne tjenesten, returnerer produktet til en autorisert reparatør som samler det inn på vegne av oss.

Du kan finne ut hvor nærmeste autoriserte serviceverksted er, ved å kontakte din lokale Black & Decker-avdeling på adressen som er oppgitt i denne bruksanvisningen.

Det finnes også en liste over autoriserte Black & Decker-serviceverksteder og opplysninger om ettersalgsservice og kontakter på Internet:www.2helpU.com

Tenk på miljøet når batteriene er tomme og du skal kaste dem:

- ◆ La batteriet gå helt tomt og fjern det så fra verktøyet.
- ◆ NiCd-, NiMH- og litiumionbatterier kan gjenvinnes. Legg batteriet i egnet emballasje for å sikre at terminalene ikke kortslutter. Ta med batteriene til et autorisert serviceverksted eller til en lokal spesialavfallsstasjon.
- ◆ Ikke kortslutt batteriterminalene.
- ◆ Ikke kast batteriet på ild. Dette kan føre til personskade eller en eksplosjon.

Tekniske data

CLM3820		
Inngangsspenning	V _{oc}	36V
Hastighet uten belastning	min-1	3500
Vekt	kg	16,2
Batteri		BL2036
Spenning	V _{oc}	36V
Kapasitet	Ah	2
Type		Li-Ion
Lader		LCS36 typ. 1
Inngangsspenning	V _{ac}	230V
Utgangsspenning	V _{oc}	36V
Strøm	A	1300
Omtrentlig ladetid	h	1,0-2,0

Vektet vibrasjonsverdi for hånd/arm:
= < 2,5 m/s², usikkerhet (K) = 1,5 m/s².

L_w (lydtrykk) 80 dB(A)
usikkerhet (K) = 3 dB(A)

Klippeareal:

- ◆ Denne gressklipperen kan klippe opptil 300 m² på én enkelt batteripakke på 2 Ah.
- ◆ Dette arealet (300 m²) oppnås på én enkelt, fullt oppladet batteripakke på 2 Ah når gresset er tørt, høydejusteringsspaken er satt i posisjon 6 og gresset ikke har vokst særlig mye.
- ◆ Når gresset er vått, klippehøyden er lavere eller gresset har vokst mye, kan klippearealet være mindre enn 300 m².

EF-samsvarserklæring
MASKINDIREKTIVET
DIREKTIV FOR UTENDØRSSTØY



CLM3820 gressklipper

Black & Decker erklærer at disse produktene, som er beskrevet under "Tekniske data", er i samsvar med:

2006/42/EC, EN 60335-1:2012/A13:2017;

EN 60335-2-77:2010; EN 62233:2008

2000/14/EF, gressklipper, L < 50 cm, vedlegg VI,

TÜV SÜD Industrie Service GmbH

Westendstraße 199, 80686 München

Land : Tyskland

Sertifiseringsinstans nummer (Notified Body): 0036

LWA (målt lydeffekt) 92 dB(A),

Usikkerhet (K) = 2,25 dB(A),

L_{WA} (garantert lydeffekt) 96 dB(A).

Disse produktene er også i samsvar med direktiv 2014/30/EU og 2011/65/EU. Hvis du ønsker mer informasjon, kan du kontakte Black & Decker på adressen under eller se baksiden av bruksanvisningen.

Undertegnede er ansvarlig for utarbeidelsen av den tekniske dokumentasjonen og gir denne erklæringen på vegne av Black & Decker.

Patrick Diepenbach
General Manager, Benelux
Black and Decker,
Egide Walschaertsstraat 14-18
2800 Mechelen, Belgia
2022.03.16

Garanti

Black & Decker er trygg på kvaliteten av produktene sine og tilbyr en 24 måneders garanti fra kjøpsdato. Denne garanti-erklæringen kommer i tillegg til dine lovbestemte rettigheter og er ikke i konflikt med disse. Garantien er gyldig innen områdene tilhørende medlemslandene i den Europeiske Union (EU) og det Europeiske Frihandelsområdet (EFTA).

For å ta garantien i bruk må kravet være i samsvar med kjøpsbetingelsene fra Black&Decker og du må vise kjøpskvittering til forhandleren eller til et autorisert serviceverksted. Betingelsene for Black&Deckers 2 års garanti og adressen til din nærmeste autoriserte serviceverksted kan du finne på internett under www.2helpU.com, eller ved å kontakte ditt lokale Black & Decker kontor på adressen du finner i denne bruksanvisningen.

Besøk våre nettsider på www.blackanddecker.no for å registrere ditt nye Black & Decker-produkt og for å få informasjon om nye produkter og spesialtilbud.

Tilsigtet brug

Din BLACK+DECKER CLM3820-plæneklipper er designet til græsslåning. Dette apparat er kun beregnet til privat brug.

Sikkerhedsinstruktioner

Advarsel! Ved anvendelse af ledningsfri apparater skal grundlæggende sikkerhedsforholdsregler inkl. nedenstående altid følges, så risikoen for brand, elektrisk stød, personskade og materiel skade undgås.

Advarsel! Sikkerhedsreglerne skal følges ved brug af maskinen.

Læs denne vejledning, før du bruger maskinen, af hensyn til din egen og omkringståendes sikkerhed.

Gem vejledningen til senere brug.

- ◆ Dette værktøj er ikke beregnet til anvendelse af personer (inklusive børn) med nedsatte fysiske, sensoriske eller mentale handicaps eller med mangel på erfaringer eller viden, medmindre de er under overvågning eller har fået instruktioner i brugen af værktøjet af en person, der er ansvarlig for deres sikkerhed.
- ◆ Børn skal holdes under opsyn, så det sikres, at de ikke leger med apparatet.
- ◆ Hvis netledningen beskadiges, skal den udskiftes af producenten eller et autoriseret BLACK+DECKER-værksted, så farlige situationer undgås.
- ◆ Læs hele vejledningen omhyggeligt, før du bruger apparatet.
- ◆ Den tilsigtede brug er beskrevet i denne vejledning. Brugen af ekstraudstyr eller tilbehør eller udførelse af andet arbejde med dette

apparat end det, der anbefales i denne vejledning, kan udgøre en fare for kvæstelser.

- ◆ Opbevar denne vejledning til senere brug.

Brug af apparatet

Vær altid opmærksom ved brugen af apparatet.

- ◆ Dette apparat må ikke bruges af børn eller svagelige personer uden opsyn.
- ◆ Apparatet må ikke bruges som legetøj.
- ◆ Lad ikke børn eller dyr komme i nærheden af arbejdsområdet eller røre ved apparatet eller netledningen.
- ◆ Vær meget opmærksom, når apparatet benyttes i nærheden af børn.
- ◆ Apparatet må kun bruges på tørre steder. Lad ikke apparatet blive vådt.
- ◆ Apparatet må ikke nedsænkes i vand.
- ◆ Kabinettet må ikke åbnes. Der er ingen dele indeni, der kan serviceres af brugeren.
- ◆ Brug ikke apparatet i eksplosive omgivelser, f.eks. hvor der er brændbare væsker, gasser eller støv.
- ◆ For at reducere risikoen for beskadigelse af stik og ledninger må du aldrig trække i ledningen for at tage stikket ud af en stikkontakt.

Efter brug

- ◆ Opbevar apparatet på et tørt, godt ventileret sted uden for børns rækkevidde, når det ikke er i brug.
- ◆ Opbevar apparater utilgængeligt for børn.
- ◆ Når apparatet opbevares eller

transporteres i et køretøj, skal det anbringes i bagagerummet eller fastgøres for at forhindre bevægelse som følge af pludselige ændringer i hastighed eller retning.

Eftersyn og reparationer

- ◆ Før brug skal apparatet kontrolleres for beskadigede eller defekte dele. Se efter knækkede dele, skader på kontakter og eventuelle andre tilstande, der kan påvirke apparatets funktion.
- ◆ Brug ikke apparatet med beskadigede eller defekte dele.
- ◆ Få beskadigede eller defekte dele repareret eller udskiftet på et autoriseret værksted.
- ◆ Forsøg aldrig at fjerne eller udskifte dele ud over dem, der er beskrevet i denne vejledning.
- ◆ Vær forsigtig under justering af plæneklipperen for at forhindre, at fingre fanges mellem knive/dele i bevægelse og faste dele på maskinen.
- ◆ Vær under servicering af klingerne opmærksom på, at selvom strømmen er afbrudt, kan klingerne stadig bevæge sig.

Yderligere sikkerhedsvejledning for plæneklippere

- ◆ Hold godt fast i håndtaget med begge hænder, når du bruger plæneklipperen.
- ◆ Hvis det bliver nødvendigt at vippe plæneklipperen, skal du have begge hænder i arbejdsstilling, mens den vippes. Hold begge hænder i

arbejdsstilling, til apparatet står sikkert på jorden igen.

- ◆ Lyt aldrig til radio eller musik i hovedtelefoner, mens du bruger plæneklipperen.
- ◆ Juster aldrig hjulenes højde, mens motoren kører, eller mens sikkerhedsnøglen sidder i.
- ◆ Slip aktiveringsbøjlen for at slukke for plæneklipperen, hvis den står stille, vent indtil klingens er stoppet, og tag sikkerhedsnøglen ud, før blokeringer i udkastet eller under skjoldet fjernes.
- ◆ Hold hænder og fødder væk fra skæreamrådet.
- ◆ Hold knivene skarpe. Brug altid beskyttelseshandsker ved håndtering af plæneklipperkniven.
- ◆ Kontroller jævnligt græsopsamlere for slid og ødelæggelse. Udskift den af hensyn til din egen sikkerhed, hvis den er meget slidt.
- ◆ Vær yderst forsigtig, når du bakker eller trækker plæneklipperen imod dig selv.
- ◆ Sæt ikke hænder eller fødder ind under plæneklipperen. Hold altid afstand til udkaståbningen.
- ◆ Ryd det område, hvor plæneklipperen skal bruges, for genstande såsom sten, pinde, ståltråd, legetøj, ben etc., som kniven kan kaste rundt med. Genstande, der rammes af kniven, kan forårsage alvorlig personskade. Blev bag håndtaget, når motoren kører.
- ◆ Kør ikke med plæneklipperen med bare fødder eller iført sandaler. Bær altid solidt fodtøj.

- ◆ Træk ikke plæneklipperen baglæns, medmindre det er strengt nødvendigt. Se altid ned og bag dig, når du trækker plæneklipperen baglæns.
- ◆ Ret aldrig det udkastede materiale mod andre. Undgå af kaste materiale ud mod en mur eller en forhindring. Materialet kan springe tilbage mod brugeren. Slip aktiveringsbøjlen for at slukke plæneklipperen og stoppe klingen, når grusbelagte flader passerer.
- ◆ Brug ikke plæneklipperen, før græsopsamlern, udkastskærmen, den bageste skærm eller andre sikkerheds- og beskyttelsesanordninger er monteret og fungerer. Kontroller jævnligt, at alle skærme og sikkerheds- og beskyttelsesanordninger er i god stand og fungerer korrekt, så de opfylder deres formål. Udskift beskadigede skærme og andre sikkerhedsanordninger, før maskinen tages i brug igen.
- ◆ Efterlad aldrig plæneklipperen uden opsyn, mens motoren kører. Tag altid sikkerhedsnøglen ud, hvis plæneklipperen efterlades uden opsyn.
- ◆ Slip altid aktiveringsbøjlen for at stoppe motoren, vent til klingen står helt stille, og tag sikkerhedsnøglen ud, før du rengør plæneklipperen, afmonterer græsposen, fjerner blokeringer under udkastskærmen, forlader plæneklipperen eller foretager justeringer, reparationer eller inspektioner.
- ◆ Brug kun plæneklipperen i dagslys eller ved godt kunstigt lys, hvor genstande i knivens bane er tydeligt synlige fra plæneklipperens betjeningsområde.
- ◆ Kør ikke med plæneklipperen under indflydelse af alkohol eller narkotika, eller hvis du er træt eller syg. Vær altid opmærksom, hold øje med, hvad du laver og brug din sunde fornuft.
- ◆ Undgå farlige omgivelser. Brug aldrig plæneklipperen i fugtigt eller vådt græs, eller når det regner. Sørg altid for godt fodfæste; gå, løb ikke.
- ◆ Slip aktiveringsbøjlen, vent til klingens stopper og tag sikkerhedsnøglen ud, hvis plæneklipperen begynder at vibrere unormalt. Kontroller derefter omgående årsagen. Vibration er generelt en advarsel om et problem; se fejlsøgningsvejledningen for at få hjælp ved unormal vibration.
- ◆ Bær altid korrekt øjen- og åndedrætsbeskyttelse, når du bruger plæneklipperen.
- ◆ Brugen af ekstraudstyr eller tilbehør, som ikke anbefales til brug sammen med denne plæneklipper, kan være farligt. Brug kun ekstraudstyr, der er godkendt af BLACK+DECKER.
- ◆ Stræk dig ikke for langt, mens du bruger plæneklipperen. Sørg altid for at have sikkert fodfæste og balance, når du bruger plæneklipperen.
- ◆ Arbejd på tværs af skrånninger, aldrig op og ned. Vær især forsigtig, når du ændrer retning på skrånninger.

- ◆ Hold øje med huller, hjulspor, sten og andre skjulte genstande. Du kan skride eller falde i ujævnt terræn og komme til skade. Højt græs kan dække over forhindringer.
- ◆ Slå ikke vådt græs eller græs på meget stejle skrånninger. Et dårligt fodfæste kan få dig til at skride eller falde, så du kommer til skade.
- ◆ Slå ikke græs i nærheden af skrænter, grøfter eller volde. Du kan miste fodfæstet eller balancen.
- ◆ Lad altid plæneklipperen køle ned, inden den sættes væk.

Resterende risici.

Der kan opstå yderligere, tilbageværende risici under brugen af apparatet, som muligvis ikke behandles i de vedlagte sikkerhedsadvarsler. Disse risici kan opstå pga. forkert anvendelse, langvarig brug etc.

Selv ved overholdelse af relevante sikkerhedsforskrifter og anvendelse af sikkerhedsudstyr kan visse resterende risici ikke undgås. Disse omfatter:

- ◆ Tilskadekomst forårsaget af berøring af roterende/bevægelige dele.
- ◆ Tilskadekomst forårsaget af udskiftning af dele, klinger eller tilbehør.
- ◆ Tilskadekomst forårsaget af langvarig brug af et apparat. Husk at holde pause jævnlige ved brug af et apparat i længere tid.
- ◆ Hørenedsættelse.
- ◆ Sundhedsrisici forårsaget af indånding af støv, der genereres ved brug af

værktøjet (eksempel: arbejde med træ, især eg, bøg og MDF.)

Advarselssymboler

Følgende advarselssymboler findes på apparatet sammen med datokoden:



Advarsel! Læs vejledningen inden brug.



Udsæt ikke apparatet for regn eller høj fugtighed.



Pas på skarpe knive. Tag altid sikkerhedsnøglen ud, før du rengør plæneklipperen, afmonterer græsposen, fjerner blokeringer under udkastskærmen, forlader plæneklipperen eller foretager justeringer, reparationer eller inspektioner.



Pas på flyvende genstande. Hold omkringstående på afstand af klippeområdet.



Brug øjeværn



Kniven fortsætter med at rotere, efter at maskinen er slukket.



Direktiv 2000/14/EF garanteret lydeffekt.

Yderligere sikkerhedsvejledninger for batterier og ladere

Batterier

- ◆ Forsøg aldrig at åbne den af en eller anden grund.
- ◆ Batteriet må ikke udsættes for fugt.
- ◆ Batteriet må ikke udsættes for varme.
- ◆ Må ikke opbevares på steder, hvor temperaturen kan overstige 40 °C.
- ◆ Oplad kun ved omgivelsestemperaturer på mellem 10 °C og 40 °C.
- ◆ Brug kun den oplader, der fulgte med apparatet/værktøjet, til opladning. Brug af den forkerte oplader kan medføre elektrisk stød eller overophedning af batteriet.
- ◆ Følg vejledningen i afsnittet "Miljøbeskyttelse" ved bortskaffelse af batterier.
- ◆ Undgå at beskadige/deformere batteripakken ved at punktere den eller slå på den, da dette kan forårsage risiko for tilskadekomst eller brand.
- ◆ Beskadigede batterier må ikke oplades.
- ◆ Under ekstreme forhold kan der forekomme batterilækage. Hvis du bemærker væske på batterierne, skal du omhyggeligt tørre den af med en klud. Undgå kontakt med huden.
- ◆ I tilfælde af kontakt med hud eller øjne, skal du følge nedenstående anvisninger.

Advarsel! Batterivæsken kan forårsage personskader eller materielle skader. I

tilfælde af kontakt med huden skylles straks med vand. Søg læge, hvis der opstår rødme, smerte eller irritation. Skyl straks med rent vand, og søg læge i tilfælde af kontakt med øjnene.



Forsøg ikke at oplade beskadigede batterier.

Opladere

Opladeren er udviklet til en specifik spænding.

Kontroller altid, at netspændingen svarer til spændingen på typeskiltet.

Advarsel! Forsøg aldrig at erstatte opladerenheden med et almindeligt netstik.

- ◆ Brug kun din BLACK+DECKER-lader til at oplade batteriet i det apparat/værktøj, som den blev leveret sammen med. Andre batterier kan eksplodere og forårsage kvæstelser og materielle skader.
- ◆ Forsøg aldrig at oplade ikke-genopladelige batterier.
- ◆ Hvis netledningen beskadiges, skal den udskiftes af producenten eller et autoriseret BLACK+DECKER-værksted, så farlige situationer undgås.
- ◆ Opladeren må ikke udsættes for fugt.
- ◆ Opladeren må ikke åbnes.
- ◆ Opladeren må ikke undersøges.
- ◆ Apparatet/værktøjet/batteriet skal anbringes et sted med god udluftning, når det oplades.



Opladeren er kun beregnet til indendørs brug.



Læs brugervejledningen, før værktøjet tages i brug.

Elektricitet og sikkerhed



Opladeren er dobbelt isoleret. Derfor er en jordledning ikke nødvendig. Kontroller altid, at netspændingen svarer til spændingen på typeskiltet. Forsøg aldrig at erstatte opladerenheden med et almindeligt netstik.

Funktioner

Dette apparat leveres med nogle af eller alle de følgende komponenter.

1. Sikkerhedsnøgle
2. Aktiveringsbøjle
3. Låseudløser
4. Håndtagsbøjle
5. Ledningsholderklips
6. Øverste håndtag
7. Hurtigudløserklemme på øverste håndtag
8. Indikator for fuld græsboks
9. Græsopsamlingsboks
10. Nederste håndtag
11. Hurtigudløserklemme på nederste håndtag
12. Fjederbelastet bagdæksel
13. Højdejusteringshåndtag
14. Batteridæksel
15. Batteridækseludløser
16. Håndtag

Samling

Advarsel! Før montering skal det sikres, at værktøjet er slukket, og at sikkerhedsnøglen og batteriet er fjernet.

Samling af græsopsamlingsboksen (Fig. A - C)

Græsboksen skal samles før brug og leveres i 3 dele.

- ◆ Sæt græsopsamlingsboksens (9) to sider sammen (Fig. A). Sørg for, at alle klips og ledestyr er rettet ind.
- ◆ Ret låget (17) ind efter den samlede græsopsamlingsboks. Sørg for, at ledestyr og klips er rettet ind.

Bemærk: Vær ekstra omhyggelig, når klipsene bag på græsopsamlingsboksen rettes ind.

- ◆ Tryk ned på låget for at sikre alle klips. Start forrest, og arbejd bagud. Sørg for, at alle klips sidder sikkert.

Montering af nederste håndtag (Fig. D og E)

- ◆ Fjern hurtigudløserklemmerne på nederste håndtag (11) fra bunden af plæneklipperen.
- ◆ Placer de nederste håndtag (10) omkring bunden, og sørg for, at de tre hak (18) på det nederste håndtag (10) vender mod toppen.
- ◆ Skru hurtigudløserklemmerne på nederste håndtag (11) gennem det nederste håndtag ind i bunden af plæneklipperen. Når hurtigudløserklemmerne på nederste håndtag er skruet halvt i, lukkes hurtigudløserklemmerne (Fig. E), og det sikres, at håndtagets tænder og bunden låses sammen. Hvis forbindelsen mellem håndtaget og hurtigudløserklemmerne er for stram eller for løs, justeres dybden af hurtigudløserklemmerne, og de lukkes igen, indtil tænderne er helt lukkede.

Montering af øverste håndtag (Fig. F og G)

- ◆ Sæt det øverste håndtag (6) på det nederste håndtag (10) vha. hurtigudløserklemmerne på øverste håndtag (7) og klemmemøtrikkerne (19) som vist.
- ◆ Skru hurtigudløserklemmerne på øverste håndtag (7) gennem det nederste håndtag ind i klemmemøtrikkerne (20). Når hurtigudløserklemmerne på øverste håndtag er skruet halvt i, lukkes hurtigudløserklemmerne (Fig. G). Hvis forbindelsen mellem håndtaget og hurtigudløserklemmerne er for stram eller for løs, justeres dybden af hurtigudløserklemmerne, og de lukkes igen, indtil tænderne er helt lukkede.

Justering af håndtagets højde (Fig. H)

- ◆ Udløs hurtigudløserklemmen på nederste håndtag som vist.
- ◆ Løft eller sænk håndtaget til en af de tre markerede positioner ved siden af hurtigudløserklemmerne på nederste håndtag.
- ◆ Luk hurtigudløserklemmerne på nederste håndtag (11), og sørg for, at håndtagets tænder og bunden låses sammen. Hvis forbindelsen mellem håndtaget og hurtigudløserklemmerne er for stram eller for løs, justeres dybden af hurtigudløserklemmerne, og de lukkes igen, indtil tænderne er helt lukkede.

Fastgøring af motorledningen

Motorledningen skal fastgøres vha. ledningsholderen.

- ◆ Fastgør ledningen på det øverste og nederste håndtag ved at klippe den på ledningsholderklipsene (5).

Montering af græsopsamlingsboksen (Fig. I og J)

- ◆ Løft den klare græsflap (12), og anbring græsopsamlingsboksen (9) over monteringsstederne (20).

Justering af hjulhøjden (Fig. K og L)

Plæneklipperen er udstyret med højdejusteringssystemet BLACK+DECKER Easy. Dette system justerer alle fire hjul på én gang.

Plæneklipperen har seks justeringspositioner for knivhøjde (30 mm til 80 mm). Se skalaen på siden af plæneklipperen. Markøren angiver den aktuelle klippehøjdeindstilling for plænen.

Denne indstilling kan være en reference til næste gang, du vil klippe plænen i samme højde.

- ◆ Slip aktiveringsbøjlen (2) for at slukke plæneklipperen, vent til kniven stopper, og fjern sikkerhedsnøglen (1).
- ◆ Placer håndfladen på håndfladestøtten (21), og træk håndtaget til højdejustering (13) væk fra plæneklipperens kabinet for at hæve eller sænke klippehøjden.
- ◆ Flyt håndtaget til højdejustering (13) til den ønskede position, og skub det derefter tilbage mod plæneklipperens kabinet.

Bemærk: Sørg for, at plæneklipperen er sikkert låst i en af de seks positioner.

Udtagning og isætning af batteriet (Fig. O)

Før batteriet tages ud:

- ◆ Placer plæneklipperen på en jævn flade.
- ◆ Slip aktiveringsbøjlen (2) for at slukke plæneklipperen, vent til kniven stopper, og fjern sikkerhedsnøglen (1).

Sådan tages batteriet ud:

- ◆ Træk batteridækseludløseren (15) mod forsiden af plæneklipperens kabinet, og løft batteridækslet (14).
- ◆ Løft batteriet (22) ud af plæneklipperen.

Sådan sættes batteriet i

- ◆ Træk batteridækseludløseren (15) mod forsiden af plæneklipperens kabinet, og løft batteridækslet (14).
- ◆ Lad batteriet (22) glide ind i plæneklipperen. (Batteriet passer kun i én retning).

Anvendelse

Advarsel! Lad apparatet arbejde i dets eget tempo. Det må ikke overbelastes.

Opladning af batteriet (Fig. M)

Batteriet skal oplades inden ibrugtagningen, og når det ikke leverer strøm nok til opgaver, der tidligere kunne udføres ubesværet. Batteriet kan blive varmt under opladningen. Det er normalt og ikke tegn på problemer.

Advarsel! Oplad ikke batteriet ved omgivelsestemperaturer

på under 10 °C eller over 40 °C. Den anbefalede opladningstemperatur: ca. 24 °C.

Bemærk: Opladeren oplader ikke et batteri, hvis dets temperatur er under ca. 0 °C eller over 40 °C.

Batteriet bør blive siddende i laderen, som automatisk begynder opladningen, når batteriet opvarmes/afkøles.

- ◆ Sæt batteriet (22) i opladeren (23) for at lade det op. Batteriet passer kun i opladeren på én måde. Tving dem ikke. Kontroller, at batteriet er sat helt i opladeren.
- ◆ Tilslut laderen, og tænd på stikkontakten.

Ladeindikatoren (24) blinker konstant grønt (langsomt). Opladningen er afsluttet, når ladeindikatoren (24) lyser konstant grønt. Du kan lade opladeren og batteriet være tilsluttet i længere tid med tændt lysdiode. LED'en begynder at blinke grønt (opladning), når laderen en gang imellem efterfylder batteriet. Ladeindikatoren (24) lyser, så længe batteriet er tilsluttet til laderen, der er sat i stikkontakten.

- ◆ Afladede batterier bør oplades inden for 1 uge. Batteriets levetid reduceres kraftigt, hvis batteriet opbevares i afladet tilstand.

Lad batteriet blive siddende i opladeren

Batteripakken kan uden problemer forblive i opladeren, selvom LED lyser konstant. Opladeren holder batteripakken klar og fuldt opladet.

Fejlsøgning på opladeren

Ladeindikatoren (24) blinker hurtigt rødt, hvis laderen registrerer et svagt eller beskadiget batteri.

Fortsæt som følger:

- ◆ Sæt batteriet (22) i igen.
- ◆ Hvis ladeindikatoren fortsætter med at blinke hurtigt rødt, skal du bruge et andet batteri til at kontrollere, om opladningen sker korrekt.
- ◆ Hvis det andet batteri lades korrekt, er det oprindelige batteri defekt og skal indleveres til genbrug på et servicecenter.
- ◆ Hvis det andet batteri giver samme fejlvisning som det oprindelige, skal laderen testes på et autoriseret servicecenter.

Bemærk: Det kan tage op til 30 minutter at konstatere, at batteriet er defekt.

Hvis batteriet er for varmt eller koldt, blinker lysdioden rødt skiftevis hurtigt og langsomt med et blink ved hver frekvens, hvorefter sekvensen gentages.

Ladeindikator (Fig. N)

Batteriet er udstyret med en ladeindikator. Den kan bruges til at vise batteriets aktuelle ladeniveau under brug og under opladning.

- ◆ Tryk på ladeindikatorknappen (25).

Sikkerhedsnøgle (Fig. P)

Fjern sikkerhedsnøglen:

- ◆ Når apparatet efterlades uden opsyn.
- ◆ Før du fjerner en blokering.
- ◆ Før du kontrollerer, rengør, justerer eller arbejder på apparatet.
- ◆ Når du har ramt et fremmedlegeme.
- ◆ Hvis apparatet begynder at vibrere unormalt.

Start og stop (Fig. P og Q)

Advarsel! Skarp roterende kniv. Forsøg ikke at omgå denne kontakts funktion og sikkerhedsnøglesystemet. Det kan medføre alvorlig tilskadekomst.

Tænd

- ◆ Sæt sikkerhedsnøglen (1) helt ind i kontakthuset.
- ◆ Tryk på låseknapen (3) oven på kontakthuset.
- ◆ Træk knivens aktiveringsbøjle (2) mod håndtagsbøjlen (4).

Sluk

- ◆ Slip knivens aktiveringsbøjle (2) for at slukke plæneklipperen.

Når aktiveringsbøjlen (2) er vendt tilbage til sin oprindelige stilling, aktiveres den automatiske låsemekanisme. Motoren bremses elektrisk, og plæneklipperens kniv holder op med at rotere i løbet af 3 sekunder eller mindre.

Indikator for fuld græsboks (Fig. R)

Plæneklipperen har en enhed, så du let kan se, når græsboksen er fuld og skal tømmes.

- ◆ Når plæneklipperen kører, og græsboksen er tom, er indikatoren i åben position (26).
- ◆ Når plæneklipperen kører, og græsboksen er fuld, er indikatoren i lukket position (27).

Gode råd mhp. optimal brug

- ◆ Plæner slås første gang om foråret, når græsset er ca. 63 mm til 76 mm højt. Hvis plænen slås for tidligt på sæsonen, begrænses græssets rodsystem, som fornyr sig selv hvert forår. Nyt græs skal først slås, når det er ca. 63 mm højt.
- ◆ Klip ikke for meget græs af ad gangen, aldrig mere end ca. en tredjedel af græssets længde ved hver klipning. Hvis plænen klippes for tæt, får græsset et chok, som giver det hule rødder og gør det vanskeligt for plænen at nå vandet i jorden.
- ◆ Slå plænen, når den er tør, så undgår du klumper af vådt græs. Hvis du har muligheden, er det bedste tidspunkt at slå græs på sent om eftermiddagen, ikke blot fordi græsset da er tørt, men også fordi det følsomme nyklippede græsområde ikke udsættes for kraftigt sollys.
- ◆ Hold kniven skarp, det giver et pænt og rent snit. Dette forbedrer plæneklipperens ydeevne og græsplænsens

udseende. En sløv kniv slår græssets spidser i stykker og beskadiger dem. Det påvirker plænsens sunde vækst negativt og øger sårbarheden over for græssygdomme. Hvis græssets spidser beskadiges, får de en brunlig farve, og græsplænen kommer til at se usund ud. En sløv kniv kan også trække ny græsvækst op.

- ◆ Prøv at slå plænen med en konstant klippehøjde. Selvom der er tidspunkter, hvor klippehøjden skal ændres afhængig af tidspunktet på sæsonen, giver en ensartet klippelængde en sundere og smukkere plæne med mindre ukrudt. Slå plænen hyppigt i perioder med hurtig vækst. Hyppig klipning sikrer, at den nederste mindre attraktive del af græsset ikke ses.
- ◆ Hvis plænen er blevet for lang, f.eks. pga. ferie, skal du slå den med en klippehøjde, der er en eller to positioner højere end normalt. Yderligere en slåning nogle få dage senere ved normal klippehøjde giver plænen dens normale udseende igen.
- ◆ Ændring af klippehøjden er ganske let med BLACK+DECKER one-touch justeringssystem til hjulhøjde, hvor alle fire hjul justeres på én gang.
- ◆ Om foråret og om efteråret eller efter en afbrydelse af den normale klipperutine vil græsset være længere og tykkere. Prøv at indstille hjulene til en højere klippehøjde, hvis motoren bliver ved med at reducere omdrejningstallet under klipningen. En for kraftig belastning af motoren kan medføre ujævn klipning, hurtigere afladning af batteriet og overbelastning, som stopper motoren.
- ◆ Du kan forbedre plænsens udseende på tre måder: Skift hyppigt slåretning, slå vandret på skråninger (dette er også en god sikkerhedspraksis), og husk at overlape ved hver overkørsel.

Tip til græsslåning

Bemærk: Inspicer altid det område, hvor plæneklipperen skal bruges, og fjern sten, pinde, ståltråd, ben etc., som den roterende kniv kan kaste ud.

- ◆ Arbejd på tværs af skråninger, aldrig op og ned. Vær især forsigtig, når du ændrer retning på skråninger. Slå ikke græs på meget stejle skråninger. Sørg altid for et godt fodfæste.
- ◆ Slip aktiveringsbøjlen (2) for at slukke plæneklipperen, når grusbelaagte flader passerer, den roterende kniv kan slynge sten ud.
- ◆ Indstil plæneklipperen til den højeste klippehøjde i ujævnt terræn eller i højt ukrudt. Hvis der slås for meget græs på én gang, kan motoren blive overbelastet, så plæneklipperen stopper. Se fejlsøgningsvejledningen. Når græsboksen (9) bruges i perioder, hvor græsset vokser hurtigt, kan tømmeåbningen tilstoppes.
- ◆ Slip aktiveringsbøjlen (2) for at slukke plæneklipperen, og fjern sikkerhedsnøglen (1).

- ◆ Tag græsboksen (9) af, og ryst græsset til den bageste ende af posen.
- ◆ Fjern græs og snavs, der samler sig omkring tømmeåbningen.
- ◆ Monter græsboksen (9) igen.

Hvis plæneklipperen begynder at vibrere unormalt:

- ◆ Slip omgående aktiveringsbøjlen (2) for at slukke plæneklipperen, og fjern sikkerhedsnøglen (1) og batteripakken (22).
- ◆ Undersøg årsagen til vibration. Vibration er en advarsel. Brug ikke plæneklipperen, før den har gennemgået et servicecheck. Se fejlsøgningsvejledningen i betjeningsvejledningen.

Bemærk: Slip altid aktiveringsbøjlen for at slukke plæneklipperen, og fjern sikkerhedsnøglen, hvis plæneklipperen efterlades uden opsyn selv i kort tid. Nedenstående forslag hjælper dig med at opnå optimal driftstid med den ledningsfri plæneklipper:

- ◆ Sæt farten ned på områder, hvor græsset er meget langt eller tykt.
- ◆ Slå ikke græs, når det er vådt.
- ◆ Slå plænen hyppigt, især i perioder med kraftig vækst.

Vedligeholdelse

Dit BLACK+DECKER-apparat/værktøj med eller uden ledning er beregnet til brug gennem lang tid med et minimum af vedligeholdelse. Forsat tilfredsstillende drift afhænger af korrekt behandling af apparatet samt regelmæssig rengøring. Opladeren kræver ingen vedligeholdelse, men skal rengøres jævnligt.

Advarsel! Før udførelse af nogen form for vedligeholdelse på elværktøj med/uden ledning:

- ◆ Sluk, og tag apparatets/værktøjets stik ud af stikkontakten.
- ◆ Eller aflad batteriet helt, hvis det er indbygget, og sluk derefter.
- ◆ Træk opladeren ud af stikkontakten, før den rengøres. Opladeren kræver ingen vedligeholdelse, men skal rengøres jævnligt.
- ◆ Rengør jævnligt værktøjets/apparatets og laderens ventilationshuller med en blød børste eller en tør klud.
- ◆ Rengør med jævne mellemrum motorhuset med en fugtig klud. Der må ikke bruges skuremidler eller opløsningsmidler.
- ◆ Brug jævnligt en uskarp skraber til at fjerne græs og snavs fra apparatet.

Afmontering og montering af kniven (Fig. S, T og U)

Advarsel! Rør ikke ved kniven, før sikkerhedsnøglen er fjernet, og kniven står helt stille.

- ◆ Slip aktiveringsbøjlen (2) for at slukke plæneklipperen, vent til kniven stopper, og fjern sikkerhedsnøglen (1).

- ◆ Skær et stykke træ til (ca. 50 mm x 100 mm x 600 mm langt), som kan holde kniven fast, så den ikke drejer, mens du afmonterer flangemøtrikken (29).
- ◆ Læg græsslåmaskinen på siden.

Advarsel! Bær handsker og ordentlig øjenbeskyttelse. Pas på knivens skarpe kanter.

- ◆ Monter træstykket (28), og fjern flangemøtrikken (29) med en 13 mm nøgle (Fig. S).
- ◆ Afmonter skiven (30), kniven (31), det firkantede knivstyr (32) og blæseren (33) (Fig. T). Kontroller knivstyret (32) og blæseren (33) for beskadigelse, og udskift om nødvendigt.

Kontroller ved montering af kniven, at dens græsside (angivet ved pile i enderne) vender mod jorden, når plæneklipperen igen sættes i normal, stående stilling.

- ◆ Monter blæseren (33). Sørg for at placere blæserens blade (34), så de vender mod plæneklipperen.
- ◆ Monter knivstyret (32). Sørg for at placere de "D"-formede tapper (35), så de vender udad og væk fra plæneklipperen.
- ◆ Ret fladerne på blæseren (33) og knivstyret (32) ind efter fladerne på akslen.
- ◆ Monter kniven (31) på knivstyret (32), idet pilene peger udad.
- ◆ Monter træstykket (28), så kniven (31) ikke kan dreje rundt (Fig. U).
- ◆ Monter skiven (30) og flangemøtrikken (29), og tilspænd derefter med en 13 mm nøgle.

Slibning af kniven (Fig. V)

Hold kniven skarp, det giver det bedste resultat. En sløv kniv klipper og snitter ikke græsset ordentligt.

Advarsel! Kontroller altid, at sikkerhedsnøglen er fjernet.

Advarsel! Bær ordentlig øjenbeskyttelse, når du afmonterer, sliber eller monterer en kniv.

Det er normalt tilstrækkeligt at slibe kniven to gange i sæsonen under normale forhold. Sand gør hurtigt kniven døv. Hvis der er sandjord i din plæne, kan det være nødvendigt at slibe kniven hyppigere.

- ◆ Udskift straks kniven, hvis den bliver bøjet eller beskadiget.

Ved slibning af kniven:

- ◆ Sørg for, at kniven er afbalanceret.
- ◆ Slib kniven i den oprindelige skærevinkel.
- ◆ Slib skærekanterne i begge ender af kniven, så der fjernes en lige stor mængde materiale fra begge ender.

Slibning af en kniv i en skruestik (Fig. V)

- ◆ Slip aktiveringsbøjlen (2) for at slukke plæneklipperen, og vent til kniven stopper helt.
- ◆ Fjern sikkerhedsnøglen (1) og batteripakken (22), og læg plæneklipperen på siden.

- ◆ Afmonter kniven (31) fra plæneklipperen, se vejledningen vedrørende afmontering og montering af kniv.

Advarsel! Brug ordentlig øjenbeskyttelse og handsker, og pas på knivens skarpe kanter.

- ◆ Sæt kniven (31) i en skruestik.
- ◆ Fil forsigtigt knivens skæreflader med en fin fil eller slibesten, så den oprindelige skærekant bevares.
- ◆ Kontroller knivens balance, se vejledningen vedrørende afbalancering af kniv.
- ◆ Monter kniven (31) på plæneklipperen, og spænd den fast, se vejledningen vedrørende afmontering og montering af kniv.

Afbalancering af kniv (Fig. W)

- ◆ Kontroller knivens balance ved at sætte knivens midterhul på et søm eller en rund skruetrækker, der er opspændt vandret i en skruestik. Hvis en af knivens ender drejer nedad, skal den ende af kniven files, til den er i balance.

Smøring

Smøring er ikke nødvendigt. Smør ikke hjulene med olie. De har plastiklejer, som ikke kræver smøring.

Rengøring

- ◆ Slip aktiveringsbøjlen (2) for at slukke plæneklipperen, og vent til kniven stopper helt.
- ◆ Fjern sikkerhedsnøglen (1).
- ◆ Brug kun en mild sæbe og en fugtig klud til rengøring af plæneklipperen.
- ◆ Brug et uskarpt værktøj til at fjerne græs, der måtte have samlet sig under plæneklipperen.
- ◆ Kontroller, at alle udsatte fastgørelsesdele sidder fast, når du har brugt plæneklipperen nogle gange.

Forebyggelse af korrosion

Gødning og andre havekemikalier indeholder stoffer, som øger rustdannelse på metal. Hvis du slår græs i områder, hvor der er anvendt gødning eller kemikalier, skal plæneklipperen rengøres umiddelbart efter brug som følger:

- ◆ Slip aktiveringsbøjlen (2) for at slukke plæneklipperen, og vent til kniven stopper helt.
- ◆ Fjern sikkerhedsnøglen (1).
- ◆ Tør alle udsatte dele af med en fugtig klud.

Transport og opbevaring

Advarsel! Den roterende kniv kan forårsage alvorlig tilskadekomst.

Slip aktiveringsbøjlen for at slukke plæneklipperen, og fjern sikkerhedsnøglen, før du løfter, transporterer eller stiller plæneklipperen til side. Opbevar plæneklipperen på et tørt sted.

Bemærk: Plæneklipperen er ikke så tung at løfte, hvis

batteripakken fjernes først. Brug ikke krampen til at løfte plæneklipperen i.

Opbevaring

I varme klimaer anbefales det, at batteriet holdes konstant opladet, det giver det bedste resultat.

Batteriet kan opbevares uden tilsluttet oplader, hvis følgende betingelser er opfyldt.

- ◆ Batteriet er fuldt opladet, før det sættes til side.
- ◆ Gennemsnitstemperaturen på opbevaringsstedet er under 10 °C (50 °F).

Problemløsning

Følg vejledningen nedenfor, hvis apparatet ikke synes at fungere korrekt. Hvis dette ikke løser problemet, bedes du kontakte det lokale BLACK+DECKER-værksted.

Advarsel! Slip aktiveringsbøjlen for at slukke plæneklipperen, før du fortsætter, vent til kniven stopper, og fjern sikkerhedsnøglen.

Problem	Mulig løsning
Maskinen starter ikke.	Kontroller, at sikkerhedsnøglen er sat helt i, og at låsekappen er trykket helt ned, før aktiveringshåndtaget bevæges.
	Slip båndhåndtaget for at slukke for plæneklipperen. Fjern sikkerhedsnøglen og batteripakken, læg plæneklipperen på siden, og kontroller, at klingens kan dreje frit.
	Kontroller, at batterifordybningen er fri for snavs, og at batteriet er monteret korrekt.
	Er batteriet ladet helt op? Tilslut opladeren og vent på, at den grønne lampe lyser
Motoren stopper under ståning.	Slip båndhåndtaget for at slukke for plæneklipperen. Fjern sikkerhedsnøglen og batteripakken. Læg plæneklipperen på siden, og kontroller, at klingens kan dreje frit.
	Forøg klippehøjden på hjulene til den højeste position, og start plæneklipperen.
	Kontrollér, at batteriets hulrum er fri for snavs og er korrekt tilsluttet.
	Er batteriet ladet helt op? Tryk på ladeknappen.
Maskinen giver en ujævn finish, eller motoren hakker	Undgå at overbelaste plæneklipperen. Sæt farten ned, eller forøg klippehøjden.
	Er batteriet ladet helt op? Tryk på ladeknappen.
	Slip båndhåndtaget for at slukke for plæneklipperen. Fjern sikkerhedsnøglen og batteripakken. Læg plæneklipperen på siden, og kontroller: <ul style="list-style-type: none"> ◆ Kniven for skarphed - Hold kniven skarp. ◆ Bunden og udkastet for tilstopning.
	Hjulhøjdejusteringen kan være indstillet for lavt i forhold til græssets tilstand. Forøg klippehøjden.
Plæneklipperen er for svær at skubbe.	Slip båndhåndtaget for at slukke for plæneklipperen. Fjern sikkerhedsnøglen og batteripakken. Forøg klippehøjde for at reducere maskinens træk i græsset. Kontroller, at alle hjul drejer frit

Problem	Mulig løsning
Plæneklipperen støjer normalt meget og vibrerer.	<p>Slip båndhåndtaget for at slukke for plæneklipperen. Fjern sikkerhedsnøglen og batteripakken. Læg plæneklipperen på siden, og kontroller, at klingerne ikke er bøjet eller beskadiget. Udskift klingerne med en ny fra BLACK+DECKER, hvis den er beskadiget. Hvis undersiden af plæneklipperen er beskadiget, skal den indleveres til et autoriseret BLACK+DECKER servicecenter.</p> <p>Hvis der ikke er synlige skader på klingerne, men plæneklipperen stadig vibrerer:</p> <ul style="list-style-type: none"> ◆ Slip båndhåndtaget for at slukke for plæneklipperen. ◆ Fjern sikkerhedsnøglen og batteripakken. ◆ Afmonter hele klingesamlingen som beskrevet i afsnittet: "Demontering og montering af klingerne". ◆ Fjern alt snavs og rengør hver del. ◆ Udskift hver del som beskrevet i afsnittet: "Demontering og montering af klingerne". <p>Hvis plæneklipperen stadig vibrerer, skal den indleveres til et autoriseret BLACK+DECKER servicecenter.</p>
Plæneklipperen samler ikke græsset op.	<p>Udkastet er tilstoppet. Slip båndhåndtaget for at slukke for plæneklipperen. Fjern sikkerhedsnøglen og batteripakken. Fjern græs fra udkastet.</p> <p>Forøg klippehøjden på hjulene for at afkorte klippelængden.</p> <p>Posen er fuld. Tøm posen oftere.</p>

Miljøbeskyttelse



Særskilt bortskaffelse. Produkter og batterier mærket med dette symbol må ikke bortskaffes sammen med normalt husholdningsaffald.

Når dit Black & Decker-produkt en dag er udtjent, eller du ikke længere har brug for det, må du ikke smide det ud sammen med det almindelige affald. Sørg for, at dette produkt bortskaffes særskilt.

Særskilt bortskaffelse af brugte produkter og emballage gør det muligt at genbruge materialer og anvende dem på ny. Genanvendelse af genbrugsmaterialer bidrager til at forhindre forurening af miljøet og reducerer behovet for råmaterialer.

Lokale forskrifter muliggør i nogen tilfælde særskilt bortskaffelse af elektriske produkter fra husholdningen, ved kommunale affaldsdepoter eller hos forhandleren i forbindelse med køb af et nyt produkt.

Black & Decker sørger for at indsamle og genanvende Black & Decker-produkter, når disse ikke længere kan bruges. For at benytte sig af denne service kan du returnere produktet til et hvilket som helst autoriseret serviceværksted, der modtager det på vores vegne.

Kontakt det lokale Black & Decker-kontor på den adresse, der er angivet i denne vejledning, for at få oplysninger om nærmeste autoriserede værksted. Alternativt findes der en liste over autoriserede Black & Decker serviceværksteder og detaljerede oplysninger om vores eftersalgsservice og kontakter på følgende internetadresse: www.2helpU.com

Når batterier er udtjente, skal de bortskaffes under passende hensyntagen til miljøet:

- ◆ Aftad batteriet helt, og tag det derefter ud af værktøjet.
- ◆ NiCd-, NiMH- og Li-Ion-batterier kan genbruges. Anbring batteriet/batterierne i en egnet emballage, så polerne ikke

kortsluttes. Aflever dem på et autoriseret værksted eller en lokal genbrugsstation.

- ◆ Batteripolerne må ikke kortsluttes.
- ◆ Batteriet/batterierne må ikke kastes på ild, da dette kan medføre personskaade eller eksplosion.

Tekniske data

CLM3820		
Indgangsspænding	V _{ac}	36V
Ubelastet hastighed	o/min	3500
Vægt	kg	16,2
Batteri		BL2036
Spænding	V _{dc}	36V
Kapacitet	Ah	2
Type		Li-Ion
Oplader		LCS36 typ. 1
Indgangsspænding	V _{ac}	230V
Udgangsspænding	V _{dc}	36V
Strømstyrke	A	1300
Ladetid ca.	h	1,0-2,0

Værdi for hånd/arm-vægtet vibration:
= < 2,5 m/s², usikkerhed (K) = 1,5 m/s².

L_a (lydtryk) 80 dB(A)
usikkerhed (K) = 3 dB(A)

Klippeområde:

- ◆ Denne plæneklipper kan klippe op til 300 m² på en enkelt 2Ah-batteripakke.
- ◆ Dette område (300 m²) opnås med en enkelt, fuldt opladet 2Ah-batteripakke under tørre forhold med håndtaget til højdejustering i position 6 efter lette vækstforhold.
- ◆ Under fugtige forhold eller kraftige vækstforhold sænkes højdeindstillingen, ellers vil klippeområdet være mindre end 300 m².

EF-overensstemmelseserklæring
MASKINDIREKTIV
DIREKTIV OM STØJEMISSION FRA MASKINER TIL
UDENDØRS BRUG



CLM3820 plæneklipper

Black & Decker erklærer, at produktet beskrevet under

"Tekniske data" er i overensstemmelse med:

2006/42/EF, EN 60335-1:2012/A13:2017;

EN 60335-2-77:2010; EN 62233:2008

2000/14/EF, Plæneklipper, L < 50 cm, bilag VI,

TÜV SÜD Industrie Service GmbH

Westendstraße 199, 80686 München

Land: Tyskland

Bemyndiget organ nr.: 0036

LWA (målt lydeffekt) 92 dB(A),

Usikkerhed (K) = 2,25 dB(A),

L_{WA} (garanteret lydeffekt) 96 dB(A).

Disse produkter er endvidere i overensstemmelse med direktiv 2014/30/EU og 2011/65/EU. Kontakt Black & Decker på nedenstående adresse eller se vejledningens bagside for at få yderligere oplysninger.

Undertegnede er ansvarlig for udarbejdelsen af de tekniske data og fremsætter denne erklæring på vegne af Black & Decker.



Patrick Diepenbach

Administrerende direktør, Benelux

Black and Decker,

Egide Walschaertsstraat 14-18

2800 Mechelen, Belgien

2022.03.16

Garanti

Black & Decker er overbevist om den gode kvalitet af sine produkter og giver forbrugerne en garanti på 24 måneder fra købsdatoen. Garantien er et tillæg til forbrugerens lovmæssige rettigheder og påvirker ikke disse. Garantien er gyldig inden for medlemsstaterne af Den Europæiske Union og Det Europæiske Frihandelsområde.

Når du gør krav på garantien, skal kravet være i overensstemmelse med Black&Decker vilkår og betingelser, og du skal indsende dokumentation for købet til sælgeren eller til en autoriseret reparatør. Vilkår og betingelser for Black & Decker 2 års garanti og placeringen af dit nærmeste autoriserede serviceværksted kan fås på internettet på www.2helpU.com, eller ved at kontakte dit lokale Black & Decker kontor på den adresse, der er angivet i denne vejledning.

Besøg venligst vores websted www.blackanddecker.co.uk for at registrere dit nye Black & Decker produkt og modtage opdateringer om nye produkter og specielle tilbud.

Käyttötarkoitus

BLACK+DECKER CLM3820 -ruohonleikkuri on suunniteltu ruohon leikkaamiseen. Laite on tarkoitettu vain yksityiskäyttöön.

Turvallisuusohjeet**Varoitus!** Johdottomia laitteita

käytettäessä on aina noudatettava asianmukaisia turvaohjeita, jotta tulipalojen, sähköiskujen, henkilövahinkojen ja materiaalivaurioiden riski olisi mahdollisimman pieni.

Varoitus! Laitetta käytettäessä on

noudatettava turvallisuussääntöjä. Lue tämä opas huolellisesti läpi ennen koneen käyttöä oman ja muiden turvallisuuden takia.

Säilytä ohjeet myöhempää tarvetta varten.

- ◆ Tämä laite ei ole tarkoitettu henkilöiden (mukaan lukien lapset) käytettäväksi, joiden fyysiset, sensoriset tai henkiset kyvyt tai kokemus ja tietämys ovat rajalliset, ellei heidän turvallisuudestaan vastuussa oleva henkilö valvo tai ohjaa heitä laitteen käytössä.
- ◆ Lapsia on valvottava ja estettävä leikkimästä laitteella.
- ◆ Jos virtajohto vahingoittuu, sen vaihtaminen on turvallisuussyistä jätettävä valmistajan tai valtuutetun BLACK+DECKER-huollon tehtäväksi.
- ◆ Lue nämä ohjeet huolellisesti ennen laitteen käyttöä.
- ◆ Käyttötarkoitus Kuvataan ohjeissa. Muiden kuin ohjeissa suositeltujen lisävarusteiden tai -osien käyttö sekä laitteen käyttö muuhun kuin oppaassa

suositeltuun tarkoitukseen voi aiheuttaa henkilövahingon vaaran.

- ◆ Säilytä tämä käyttöohje tulevaa tarvetta varten.

Laitteen käyttö

Ole aina huolellinen käyttäessäsi laitetta.

- ◆ Tätä laitetta ei ole tarkoitettu nuorten tai lihasvoimaltaan heikkojen henkilöiden käyttöön ilman valvontaa.
- ◆ Laitetta ei tule käyttää leluna.
- ◆ Älä anna lasten tai eläinten tulla lähelle työskentelyaluetta tai koskea laitteeseen tai virtajohtoon.
- ◆ Jos laitetta käytetään lasten läheisyydessä, sitä on valvottava läheisesti.
- ◆ Soveltuu vain kuivaan käyttöympäristöön. Älä anna laitteen kastua.
- ◆ Älä upota laitetta veteen.
- ◆ Älä avaa laitteen koteloä. Sisällä ei ole mitään huollettavia osia.
- ◆ Älä käytä laitetta räjähdysalttiissa ympäristössä, jossa on syttyvää nestettä, kaasua tai pölyä.
- ◆ Älä koskaan irrota johtoa pistorasiasta johdosta vetäen. Pistoike tai johto voi vahingoittua.

Käytön jälkeen

- ◆ Kun laitetta ei käytetä, säilytä sitä kuivassa, hyvin tuuletetussa paikassa poissa lasten ulottuvilta.
- ◆ Pidä laite lasten ulottumattomissa.
- ◆ Kun laitetta säilytetään tai kuljetetaan ajoneuvossa, sijoita se tavaratilaan tai kiinnitä se kunnolla, ettei se matkan aikana pääse liikkumaan.

Tarkastus ja korjaus

- ◆ Tarkista ennen laitteen käyttöä, ettei laitteessa ole vahingoittuneita tai viallisia osia. Tarkista osien ja kytkimien kunto sekä muut seikat, jotka voivat vaikuttaa laitteen toimintaan.
- ◆ Älä käytä laitetta, jos jokin sen osa on vahingoittunut tai viallinen.
- ◆ Korjauta tai vaihdata vaurioituneet tai vialliset osat valtuutetussa huoltoliikkeessä.
- ◆ Älä yritä korjata tai vaihtaa muita kuin tässä käyttöohjeessa erikseen määriteltyjä osia.
- ◆ Varo leikkuria säädettäessä, että sormesi eivät jää liikkuvien terien/osien ja kiinteästi asennettujen osien väliin.
- ◆ Muista teriä huollettaessa, että vaikka virtalähde on sammutettu, terät liikkuvat edelleen.

Ruohonleikkurien lisäturvaohjeet

- ◆ Pidä ruohonleikkuria työntöaisasta tukevasti molemmin käsin käytön aikana.
- ◆ Jos joudut käytön aikana kallistamaan ruohonleikkuria, pidä molemmat kädet koko ajan ajoasennossa. Pidä molemmat kädet ajoasennossa niin kauan, kunnes ruohonleikkuri on jälleen normaaliasennossa.
- ◆ Älä käytä radiota tai kuulokkeita ruohonleikkurin käytön aikana.
- ◆ Älä koskaan säädä pyörien korkeutta moottorin käydessä tai turva-avaimen ollessa paikallaan kytkentäkotelossa.
- ◆ Jos ruohonleikkuri pysähtyy, sammuta leikkuri vapauttamalla kahva, odota

terän pysähtymistä ja irrota turva-avain ennen kuin yrität avata tukoksen tai poistaa mitään kannen alta.

- ◆ Pidä kädet ja jalat poissa leikkausalueelta.
- ◆ Pidä terät terävinä. Käytä aina suojakäsineitä käsitellessäsi ruohonleikkurin terää.
- ◆ Jos käytät keräyssäiliötä, tarkista säännöllisesti, ettei se ole kulunut tai rikkoutunut. Jos keräyssäiliö on hyvin kulunut, vaihda se uuteen turvallisuuden vuoksi.
- ◆ Ole erittäin varovainen vetäessäsi ruohonleikkuria taaksepäin itseäsi kohti.
- ◆ Älä aseta käsiä tai jalkoja ruohonleikkurin lähelle tai sen alle. Pysy loitolla laitteen poistoaukosta.
- ◆ Poista ruohonleikkurin aiotulta käyttöalueelta kivet, puunpalaset, johdot, lelut, luut ja muut esineet, jotka terä voisi heittää suurella nopeudella. Terän heittämät esineet voivat aiheuttaa vakavia henkilövahinkoja. Pysy kahvan takana moottorin käydessä.
- ◆ Älä käytä ruohonleikkuria avoaloin tai avonaisten sandaalien kanssa. Käytä aina riittäviä turvajalkineita.
- ◆ Älä vedä ruohonleikkuria taaksepäin, ellei se ole täysin välttämätöntä. Katso aina alas ja taaksesi ennen siirtymistä taaksepäin ja sen aikana.
- ◆ Älä koskaan suuntaa laitteen poistoaukkoa ketään kohti. Vältä poistoaukon suuntaamista seinää tai muuta estettä kohti. Materiaalia

voi kimmota takaisin käyttäjää kohti. Sammuta ruohonleikkuri ja pysäytä terä vapauttamalla työntöaisa ennen kuin ylität sorapintaisen alueen.

- ◆ Älä käytä ruohonleikkuria, elleivät keräyssäiliö, poistoaukon suojuus, takasuojus ja muut turvalaitteet ole paikoillaan ja kunnossa. Tarkista aika ajoin kaikki suojuukset ja turvalaitteet ja varmista, että ne ovat hyvässä käyttökunnossa ja toimivat oikein. Vaihda vahingoittunut suojuus tai muu turvalaite ennen laitteen käytön jatkamista.
- ◆ Älä koskaan jätä käynnissä olevaa ruohonleikkuria ilman valvontaa. Irrota turva-avain aina, kun ruohonleikkuri jää ilman valvontaa.
- ◆ Pysäytä moottori vapauttamalla kahva, odota, että terä pysähtyy kokonaan ja irrota turva-avain, ennen kuin puhdistat ruohonleikkurin tai poistoaukon suojuksen, irrotat ruohonkeräyspussin tai kun poistut ruohonleikkurin luota tai teet säätöjä, korjauksia tai tarkastuksia.
- ◆ Käytä ruohonleikkuria vain päivänvalossa tai hyvässä keinovalossa niin, että terän tiellä olevat esineet näkyvät selvästi ruohonleikkurin käyttöalueelle.
- ◆ Ruohonleikkuria ei saa käyttää alkoholin tai huumeiden vaikutuksen alaisena tai väsyneenä tai sairaana. Pysy aina valppaana, tarkkaile toimenpiteitäsi ja käytä tervettä järkeä.
- ◆ Vältä vaarallisia ympäristöjä. Älä käytä ruohonleikkuria kostealla tai märällä

nurmikolla tai sateessa. Varmista aina tukeva jalansija. Kävele, älä juokse.

- ◆ Jos ruohonleikkuri alkaa täristä epätavallisesti, vapauta kahva, odota terän pysähtymistä, irrota turva-avain ja tarkista heti tärinän syy. Tärinä on yleensä merkki ongelmista. Tutustu vianmääritysohjeisiin saadaksesi selville syyn epätavalliseen tärinään.
- ◆ Käytä aina asianmukaisia suojalaseja ja hengityssuojainta ruohonleikkuria käyttäessäsi.
- ◆ Sellaisten lisävarusteiden tai -laitteiden käyttö, joita ei ole suositeltu käytettäväksi ruohonleikkurin kanssa, saattaa johtaa vaaratilanteeseen. Käytä vain BLACK+DECKERin hyväksymiä lisävarusteita.
- ◆ Älä kurkota ruohonleikkurin käytön aikana. Seiso aina tukevasti ja tasapainossa ruohonleikkurin käytön aikana.
- ◆ Leikkaa ruoho rinteiden korkeussuuntaan nähden poikittain, älä koskaan ylhäältä alas tai päinvastoin. Ole erityisen varovainen vaihtaessasi suuntaa rinteessä.
- ◆ Varo koloja, kumpuja, kiviä tai muita näkymättömiä esineitä. Epätasainen maasto voi aiheuttaa liukastumisen tai kaatumisen. Pitkä ruoho voi peittää esteitä.
- ◆ Älä leikkaa märkää ruohoa tai leikkaa hyvin jyrkissä rinteissä. Epävakaa asento voi aiheuttaa liukastumisen tai kaatumisen.
- ◆ Älä leikkaa nurmikkoa aivan kuopan, ojan tai pengerryksen lähellä. Voit

menettää tasapainon tai jalka voi luistaa.

- ◆ Anna leikkurin aina jäähtyä ennen varastointia.

Muut riskit.

Myös muut kuin turvavaroituksissa mainitut riskit ovat mahdollisia laitetta käytettäessä. Nämä riskit voivat liittyä muun muassa virheelliseen tai pitkäaikaiseen käyttöön.

Tiettyjä jäännösriskejä ei voi välttää, vaikka noudatat kaikkia turvamääräyksiä ja käytät turvalaitteita. Näitä ovat:

- ◆ Pyörivien tai liikkuvien osien koskettamisen aiheuttamat vahingot.
- ◆ Osia, teriä tai lisävarusteita vaihdettaessa aiheutuneet vahingot.
- ◆ Työkalun pitkäaikaisen käytön aiheuttamat vahingot. Varmista, että pidät säännöllisesti taukoja laitteen pitkäaikaisen käytön aikana.
- ◆ Kuulon heikkeneminen.
- ◆ Työkalua käytettäessä (esimerkiksi puuta, erityisesti tammea, pyökkiä ja MDF-levyjä käsiteltäessä) syntyneen pölyn sisäänhengityksen aiheuttamat terveysriskit.

Varoitusmerkit

Työkaluun on merkitty päivämääräkoodi sekä seuraavat varoitusmerkit:



Varoitus! Lue käyttöohje ennen laitteen käyttöönottoa.



Älä käytä laitetta sateessa tai erittäin kosteissa olosuhteissa.



Varo teräviä teriä.

Irrota turva-avain, ennen kuin puhdistat ruohonleikkurin, irrotat ruohonkeräyspussin, puhdistat poistoaukon suojuksen tai poistut ruohonleikkurin luota sekä aina ennen kuin teet säätöjä, korjauksia tai tarkastuksia.



Varo sinkoilevia esineitä. Pidä sivulliset poissa leikkausalueelta.



Käytä suojalaseja.



Terien liike jatkuu vielä hetken moottorin sammuttamisen jälkeen.



Direktiivin 2000/14/EY mukainen taattu ääniteho.

Akkuja ja laturia koskevat lisäturvaohjeet


Akut

- ◆ Älä koskaan yritä avata mistään syystä.
- ◆ Älä anna akun kastua.
- ◆ Älä altista akkua kuumuudelle.
- ◆ Älä säilytä akkuja tiloissa, joissa lämpötila voi nousta yli 40 °C:een.
- ◆ Lataa akku paikassa, jonka lämpötila on vähintään +10 °C ja enintään +40 °C.
- ◆ Käytä akun lataamiseen vain laitteen/työkalun mukana toimitettua laturia.

Väärän tyyppinen laturi voi aiheuttaa sähköiskun tai akun ylikuumentumisen.

- ◆ Noudata akkujen hävittämisessä Ympäristönsuojelu-kohdassa esitettyjä ohjeita.
- ◆ Suojaa akkua vahingoittumiselta niin, ettei sen kotelo rikkoudu eikä siihen kohdistu iskuja, sillä muutoin voi syntyä henkilövahinkojen ja tulipalon vaara.
- ◆ Älä lataa viallisia akkuja.
- ◆ Vaativissa oloissa voi ilmetä paristovuotoja. Jos havaitset akkujen pinnalla nestettä, pyyhi se huolellisesti pois. Vältä ihokosketusta.
- ◆ Jos nestettä joutuu silmiin tai iholle, noudata jäljempänä olevia ohjeita.

Varoitus! Akkuneste voi aiheuttaa aineellisia vahinkoja tai henkilövahinkoja. Jos nestettä joutuu iholle, se on välittömästi huuhteltava pois vedellä. Jos ihoa kirvelee tai se punottaa tai on muuten ärtynyt, kysy lisäohjeita lääkäriltä. Jos nestettä joutuu silmiin, huuhto välittömästi puhtaalla vedellä ja mene lääkäriin.

 Älä koskaan yritä ladata viallisia akkuja.

Laturit

Laturi on tarkoitettu tietylle jännitteelle. Tarkista aina, että verkkojännite vastaa arvokilvessä ilmoitettua jännitettä.

Varoitus! Älä yritä vaihtaa laturiin tavallista verkkovirran pistoketta.

- ◆ Käytä BLACK+DECKER-laturia vain työkalun mukana toimitetun akun lataamiseen. Muut akut voivat räjähtää

ja aiheuttaa henkilövahinkoja tai aineellisia vahinkoja.

- ◆ Älä koskaan yritä ladata akkuja, joita ei ole tarkoitettu ladattaviksi.
- ◆ Jos virtajohto vahingoittuu, sen vaihtaminen on turvallisuussyistä jätettävä valmistajan tai valtuutetun BLACK+DECKER-huollon tehtäväksi.
- ◆ Suojaa laturi vedeltä.
- ◆ Älä avaa laturia.
- ◆ Älä työnnä mitään laturin sisään.
- ◆ Lataa laite/työkalu/akku paikassa, jossa on kunnollinen ilmanvaihto.



Laturi on tarkoitettu ainoastaan sisäkäyttöön.



Lue käyttöohjeet huolellisesti ennen laitteen käyttöä.

Sähköturvallisuus



Laturi on kaksoiseristetty, joten erillistä maadoitusta ei tarvita. Tarkista aina, että verkkojännite vastaa arvokilvessä ilmoitettua jännitettä. Älä yritä vaihtaa laturiin tavallista verkkovirran pistoketta.

Yleiskuvaus

Tässä laitteessa on kaikki tai joitakin seuraavista ominaisuuksista.

1. Turva-avain
2. Kahva
3. Lukituksen vapautin
4. Työntöaisa
5. Kaapelinkiinnikkeet
6. Yläkahva
7. Yläkahvan vapautusvipu
8. Täyden keräyssäiliön ilmaisin

9. Keräyssäiliö
10. Alakahva
11. Alakahvan vapautusvipu
12. Jousitettu takaluukku
13. Korkeudensäätökahva
14. Paristokotelon kansi
15. Akkukotelon kannen vapautin
16. Kahva

Asennus

Varoitus! Varmista ennen työkalun kokoamista, että sen virta on katkaistu ja turva-avain ja akku on irrotettu.

Keräyssäiliön kokoaminen (Kuvat A - C)

Kolmessa osassa toimitettava keräyssäiliö on koottava ennen käyttöä.

- ◆ Napsauta keräyssäiliön (9) kaksi sivua yhteen (Kuva A). Varmista, että kaikki kiinnikkeet ja ohjaimet ovat kohdallaan.
- ◆ Aseta kansi (17) kootun keräyssäiliön päälle. Varmista, että ohjaimet ja kiinnikkeet ovat kohdallaan.

Huomautus: Ole erittäin huolellinen, kun kohdistat keräyssäiliön takaosassa olevia kiinnikkeitä.

- ◆ Lukitse kaikki kiinnikkeet painamalla kantta alaspäin. Aloita edestä ja jatka takaosaa kohti. Varmista, että kaikki kiinnikkeet ovat kunnolla paikallaan.

Alakahvan kiinnittäminen (Kuvat D ja E)

- ◆ Irrota alakahvan vapautusvivut (11) ruohonleikkurin alustasta.
- ◆ Aseta alakahva (10) alustan ympärille varmistaen, että alakahvan (10) kolme lovea (18) osoittavat ylöspäin.
- ◆ Ruuvaa alakahvan vapautusvivut (11) alakahvan läpi ruohonleikkurin alustaan. Kun olet ruuvannut alakahvan vapautusvivut puoleenväliin, sulje vapautusvivut (Kuva E) ja varmista, että kahvan ja alustan hampaat lukkiutuvat. Jos kahvan ja vapautusvipujen välinen kiinnitys on liian tiukka tai löysä, säädä vapautusvipujen syvyyttä ja sulje ne uudelleen, kunnes hampaat ovat täysin kiinni.

Yläkahvan kiinnittäminen (Kuvat F ja G)

- ◆ Kiinnitä yläkahva (6) alakahvaan (10) yläkahvan vapautusviviilla (7) ja muttereilla (19) kuvan mukaisesti.
- ◆ Ruuvaa yläkahvan vapautusvivut (7) alakahvan läpi muttereihin (20). Kun olet ruuvannut yläkahvan vapautusvivut puoleenväliin, sulje vapautusvivut (Kuva G). Jos kahvan ja vapautusvipujen välinen kiinnitys on liian tiukka tai löysä, säädä vapautusvipujen syvyyttä ja sulje ne uudelleen, kunnes hampaat ovat täysin kiinni.

Kahvan korkeuden säätö (Kuva H)

- ◆ Vapauta alakahvan vapautusvipu kuvan osoittamalla tavalla.

- ◆ Nosta tai laske kahva johonkin alakahvan vapautusvipujen vieressä olevasta kolmesta merkitystä asennosta.
- ◆ Sulje alakahvan vapautusvivut (11) ja varmista, että kahvan ja alustan hampaat lukkiutuvat. Jos kahvan ja vapautusvipujen välinen kiinnitys on liian tiukka tai löysä, säädä vapautusvipujen syvyyttä ja sulje ne uudelleen, kunnes hampaat ovat täysin kiinni.

Moottorin kaapelin kiinnittäminen

Moottorin johto kiinnitetään kaapelikiinnikkeellä.

- ◆ Kiinnitä kaapeli kiinnikkeillä (5) ylä- ja alakahvaan.

Keräyssäiliön asentaminen (kuva6 I ja J)

- ◆ Nosta ruoholäppä (12) ja aseta keräyssäiliö (9) kiinnikkeisiin (20).

Pyöräkorkeuden säätäminen (Kuvat K ja L)

Tässä ruohonleikkurissa on BLACK+DECKER Easy -korkeudensäätömekanismi. Mekanismi säätää kaikki pyörät samanaikaisesti.

Leikkurissa on kuusi vaihtoehtoista leikkauskorkeuden asentoa (30–80 mm). Katso ruohonleikkurin sivussa olevaa asteikkoja. Osoitin ilmaisee ruohonleikkauksessa käytettävän korkeusasetuksen.

Käytä samaa asetusta, kun myöhemmin haluat leikata ruohon saman mittaiseksi.

- ◆ Sammuta ruohonleikkuri vapauttamalla kahva (2), odota kunnes terä pysähtyy ja irrota sitten turva-avain (1).
- ◆ Kun haluat nostaa tai laskea leikkauskorkeutta, aseta kämmen käsituelle (21) ja vedä korkeudensäätökahvaa (13) pois päin leikkurin rungosta.
- ◆ Siirrä säätökahva (13) oikeaan asentoon ja paina se sitten takaisin kohti leikkurin runkoa.

Huomautus: Varmista, että leikkuri on lukittu tiukasti johonkin kuudesta asennosta.

Akun kiinnittäminen ja irrottaminen (Kuva O)

Ennen kuin irrotat akun:

- ◆ Siirrä ruohonleikkuri tasaiselle alustalle.
- ◆ Sammuta ruohonleikkuri vapauttamalla kahva (2), odota kunnes terä pysähtyy ja irrota sitten turva-avain (1).

Akun irrottaminen:

- ◆ Vedä akkukotelon kannen vapautinta (15) leikkurin runkoa kohti ja irrota akkukotelon kansi (14).
- ◆ Nosta akku (22) pois leikkurista.

Akun kiinnittäminen

- ◆ Vedä akkukotelon kannen vapautinta (15) leikkurin runkoa kohti ja irrota akkukotelon kansi (14).
- ◆ Työnnä akku (22) ruohonleikkuriin. (Akku sopii paikalleen vain yhdellä tavalla.)

Käyttö

Varoitus! Anna laitteen käydä omaan tahtiinsa.

Älä ylikuormita sitä.

Akun lataaminen (Kuva M)

Lataa akku ennen ensimmäistä käyttökertaa ja aina, kun se ei enää tuota riittävästi virtaa toimintoihin, jotka aiemmin sujuivat helposti. Akku voi lämmetä ladattaessa. Tämä on normaalia, eikä se ole merkki mistään viasta.

Varoitus! Älä lataa akkua alle 10 °C tai yli 40 °C asteen lämpötilassa. Suositeltava latauslämpötila on noin 24 °C.

Huomautus: Laturi ei lataa akkua, jos akun kennon lämpötila on alle 0 °C tai yli 40 °C.

Akku tulee kuitenkin jättää laturiin. Laturi aloittaa lataamisen automaattisesti, kun kennon lämpötila nousee tai laskee riittävästi.

- ◆ Lataa akku (22) asettamalla se laturiin (23). Akku sopii laturiin vain yhdessä asennossa. Älä pakota. Varmista, että akku on kunnolla laturissa.
- ◆ Kytke laturi pistorasiaan.

Latauksen merkkivalo (24) vilkkuu tasaisesti vihreänä (hitaasti).

Akku on ladattu, kun latauksen merkkivalo (24) palaa keskeytyksettä vihreänä. Akku voidaan jättää laturiin, kun merkkivalo palaa. Merkkivalo voi alkaa vilkkua uudelleen vihreänä ns. täydennyslatauksen ajaksi. Latauksen merkkivalo (24) palaa niin kauan kuin akku on pistorasiaan liitettyssä laturissa.

- ◆ Lataa akut yhden viikon kuluessa niiden tyhjentyemisestä. Akkujen käyttöikä lyhenee merkittävästi, jos ne jätetään tyhjiksi pitkäksi aikaa.

Akun jättäminen laturiin

Akku voidaan jättää laturiin, kun merkkivalo palaa. Laturi pitää akun käyttövalmiina ja ladattuna.

Laturin vianmääritys

Jos laturi havaitsee lähes tyhjän tai viallisen akun, latauksen merkkivalo (24) vilkkuu nopeasti punaisena.

Toimi seuraavasti:

- ◆ Aseta akku (22) uudelleen laturiin.
- ◆ Jos merkkivalot vilkkuvat edelleen nopeasti punaisina, vaihda akku, jotta saat tarkistettua, toimiiko lataus asianmukaisesti.
- ◆ Jos toinen akku latautuu normaalisti, alkuperäinen akku on viallinen ja se on vietävä Black & Deckerin huoltopisteeseen kierätettäväksi.
- ◆ Jos toinen akku antaa saman virheilmoituksen kuin alkuperäinen, vie laturi huoltopisteeseen testattavaksi.

Huomautus: Akun kennon määrittäminen voi kestää 30 minuuttia.

Jos akku on liian kuuma tai kylmä, latauksen merkkivalo vilkkuu punaisena vuoroin nopeasti ja hitaasti.

Varaustilan merkkivalo (Kuva N)

Akussa on varaustilan merkkivalo. Voit tarkistaa sen avulla akun varaustilan, latauksen tai käytön aikana.

- ◆ Tarkista varaustila painamalla painiketta (25).

Turva-avain (Kuva P)

Irrota turva-avain seuraavissa tilanteissa:

- ◆ Aina kun ruohonleikkuri jää valvomatta.
- ◆ Ennen kuin aloitat tukosten puhdistamisen.
- ◆ Ennen leikkurin tarkastusta, puhdistusta, huoltoa tai säätöä.
- ◆ Kun ruohonleikkuri on osunut johonkin.
- ◆ Kun leikkuri tärisee tavalla, joka ei ole normaalia.

Käynnistys ja pysäytys (Kuvat P ja Q)

Varoitus! Terävä pyörivä terä. Älä koskaan yritä ohittaa tämän kytkimen ja turva-avaimen toimintaa, koska seurauksena voi olla vakavia vammoja.

Käynnistäminen

- ◆ Työnnä turva-avain (1) perille kytkinkoteloon.
- ◆ Paina kytkinkotelon päällä olevaa lukituksen vapautuspainiketta (3).
- ◆ Paina teräkahva (2) työntöaisaa (4) vasten.

Sammuttaminen

◆ Ruohonleikkuri sammutetaan vapauttamalla teräkahva (2). Alkuasetonon palautuessaan kahva (2) aktivoi automaattisen jarrutusmekanismin. Moottorissa on sähköinen jarru, joka pysäyttää terän pyörimisen kolmen sekunnin kuluessa.

Täyden keräyssäiliön ilmaisimien (Kuva R)

Ruohonleikkurissa on ilmaisimien, jonka avulla näet helposti, kun keräyssäiliö on täynnä ja edellyttää tyhjennystä.

- ◆ Kun ruohonleikkuri on käytössä ja keräyssäiliö on tyhjä, ilmaisimien avoimessa asennossa (26).
- ◆ Kun ruohonleikkuri on käytössä ja keräyssäiliö on täynnä, ilmaisimien suljetussa asennossa (27).

Vinkejä parhaimman tuloksen saavuttamiseksi

- ◆ Nurmikko leikataan ensimmäisen kerran keväällä, kun ruohon pituus on noin 63–76 mm. Liian aikainen leikkaaminen hidastaa keväisin uudistuvan juuriston kehittymistä. Uusi nurmikko voidaan leikata, kun sen pituus on noin 63 mm.
- ◆ Älä leikkaa liian paljon ruohokasvustosta kerralla. Sopiva mitta on enintään 1/3 ruohon kokonaispituudesta. Liian lyhyeksi leikkaaminen vahingoittaa ruohoa, jolloin se ei jaksa kehittää riittävän voimakasta juuristoa, mikä vaikeuttaa ruohon vedensantia.
- ◆ Leikkaa nurmikko kuivalla säällä, ettei leikkuusiippu paakkuuntuisi. Myöhäinen iltapäivä on ihanteellinen ajankohta ruohonleikkuruille, koska nurmikko on kuiva

eikä vastaleikkattu kasvusto altistu heti kuumalle auringon paisteelle.

- ◆ Siisti leikkauks jälki edellyttää, että leikkuuterä on terävä. Terävä terä parantaa leikkurin suorituskykyä ja jättää siistin leikkuu jäljen. Tylsä terä murskaa ja silpoo ruohon katkaisukohdan. Se hidastaa nurmen uusiutumista ja altistaa kasvuston taudinaiheuttajille. Murskautuneet ruohonkärjet muuttuvat ruskeiksi, jolloin nurmikko ei enää näytä täysin terveeltä. Tylsä terä voi myös nyhtää nuoria versoja ylös juurineen.
- ◆ Nurmikon leikkauk korkeus kannattaa pitää muuttumattomana. Vaikka kasvukauden edetessä leikkauk korkeutta joudutaan joskus muuttamaan, tasainen, muuttumaton leikkauk korkeus on yleensä tae kauniille nurmikolle, jossa rikkakasvusto ei pääse valtaan. Leikkaa nurmikko usein, kun ruohon kasvu on nopeaa. Kun ruoho leikataan riittävän usein, mahdolliset heikkokasvuiset alueet eivät erotu.
- ◆ Jos nurmikko vaikkapa loman aikana on päässyt venähämään pitkäksi, nosta leikkauksen asteen pykälä tai pari normaalia ylemmäksi. Toinen ajo pari päivää myöhemmin normaalilla korkeudella palauttaa nurmikon ennalleen. Leikkauk korkeuden muuttaminen käy vaivattomasti BLACK+DECKERin yhden kosketuksen säätömekanismilla, joka säätää kaikki neljä pyörää kerralla.
- ◆ Keväällä, syksyllä ja tavallista pidemmän leikkauksen jälkeen nurmi on yleensä normaalia pidempää ja tiheämpää. Jos moottorin käynti jatkuvasti hidastuu leikatessa, nosta leikkauk korkeutta. Moottorin liiallinen kuormitus voi johtaa epätasaiseen leikkuu jälkeen, akun nopeaan tyhjenemiseen ja moottorin pysäyttävään ylikuormitukseen.
- ◆ Nurmikko pysyy näyttävän näköisenä seuraavin keinoin: Vaihda ajosuuntaa usein, mutta leikkaa rinteet kuitenkin vaakasuuntaisesti (turvallisuuden vuoksi) ja muista liittää jokainen leikkukaista osittain edellisen päälle.

Vinkkejä ruohonleikkaukseen

Huomautus: Tarkasta ruohonleikkurin aiottu käyttöalue ja poista siitä kivet, puunpalaset, johdot, luut ja muut esineet, joita pyörivä terä voisi heittää.

- ◆ Leikkaa ruoho rinteessä poikittain, ei ylhäältä alas tai päinvastoin. Ole erityisen varovainen vaihtaessasi suuntaa rinteessä. Älä työskentele liian jyrkissä rinteissä. Pidä huoli, että jalat ovat tukevasti maassa.
- ◆ Sammuta ruohonleikkuri ja pysäytä terä vapauttamalla kahva (2) ennen kuin ylität sorapintaisen alueen, ettei pyörivä terä lennättäisi kiviä.
- ◆ Säädä leikkauk korkeus ylämpään asentoon, jos maasto on hyvin epätasaista tai heinikko pitkää. Jos ruohoa leikataan kerralla liikaa, moottori ylikuormittuu ja pysähtyy. Katso

vianmääritysohjeita. Jos keräyssäiliötä (9) käytetään ruohon nopeimmalla kasvukaudella, ruohosilppu voi vähitellen tukkia poistoaukon.

- ◆ Sammuta ruohonleikkuri vapauttamalla kahva (2) ja irrota turva-avain (1).
- ◆ Irrota keräyssäiliö (9) ja ravista ruohosilppu pussin perälle.
- ◆ Puhdista poistoaukon reunoille pakkautunut ruohosilppu.
- ◆ Asenna keräyssäiliö (9) takaisin paikalleen.

Jos ruohonleikkuri alkaa täristä epänormaalisti:

- ◆ Sammuta ruohonleikkuri välittömästi vapauttamalla kahva (2) ja irrota sitten turva-avain (1) ja akku (22).
- ◆ Selvitä tähän aiheuttaja. Tärinä on varoitus. Älä käytä ruohonleikkuria, ennen kuin huoltotarkastus on tehty. Käytä apuna käyttöoppaan vianmääritysohjeita.

Huomautus: Sammuta ruohonleikkuri vapauttamalla kahva ja irrota turva-avain aina, kun ruohonleikkuri jää valvomatta vähäksikin aikaa.

Seuraava ohjeet auttavat tehostamaan johdottoman ruohonleikkurin käyttöä:

- ◆ Hidasta vauhtia paikoissa, joissa ruoho on tavanomaista pidempää tai paksumpaa.
- ◆ Älä leikkaa märkää nurmikkaa.
- ◆ Leikkaa ruoho riittävän usein erityisesti nopeimman kasvukauden aikana.

Huolto

Verkkojohdolla varustettu tai verkkojohdoton

BLACK+DECKER-laite on suunniteltu toimimaan mahdollisimman kauan mahdollisimman vähällä huollolla. Oikealla huollolla ja säännöllisellä puhdistuksella työkalu/laite säilyttää suorituskykynsä.

Laturi ei tarvitse säännöllisen puhdistamisen lisäksi mitään muuta huoltoa.

Varoitus! Ennen verkkojohdolla varustetun tai verkkojohdottoman sähkötyökalun huoltoa toimi seuraavasti:

- ◆ Sammuta laite/työkalu ja irrota se verkkovirrasta.
- ◆ Jos akku on kiinteä, käytä akku täysin loppuun ja sammuta laite/työkalu sitten.
- ◆ Irrota laturi pistorasiasta ennen laturin puhdistamista. Laturi ei tarvitse säännöllisen puhdistamisen lisäksi mitään muuta huoltoa.
- ◆ Puhdista työkalun, laitteen ja laturin ilma-aukot säännöllisesti pehmeällä harjalla tai kuivalla kangasliinalla.
- ◆ Puhdista moottorikotelo säännöllisesti kostealla liinalla. Älä käytä hankaavia tai liuotinpohjaisia puhdistusaineita.
- ◆ Poista ruoho ja lika suojuksen alta säännöllisesti tylpällä kaapimella.

Terän irrottaminen ja kiinnittäminen (Kuvat S, T ja U)

Varoitus! Älä koske terään ennen kuin turva-avain on irrotettu ja terä on täysin pysähtynyt.

- ◆ Sammuta ruohonleikkuri vapauttamalla kahva (2), odota

kunnes terä pysähtyy ja irrota sitten turva-avain (1).

- ◆ Leikkaa sopiva puupalikka (noin 50 mm x 100 mm x 600 mm), jolla estetään terän pyöriminen laippamutteria (29) avattaessa.
- ◆ Käännä ruohonleikkuri kyljelleen.

Varoitus! Käytä käsineitä ja suojalaseja. Varo leikkurin terävää terää.

- ◆ Aseta puupalikka (28) paikalleen ja irrota laippamutteri (29) 13 mm:n avaimella (Kuva S).
- ◆ Irrota aluslevy (30), terä (31), nelikulmainen teränohjain (32) ja tuuletin (33) (Kuva T). Tarkista teränohjaimen (32) ja tuuletin (33) kunto ja vaihda tarvittaessa.

Huomioi terää asentaessasi, että sen ruohonleikkupuoli (merkitty päihin nuolilla) on alaspäin sitten, kun ruohonleikkuri käännetään normaaliasentoon.

- ◆ Asenna tuuletin (33). Tuuletin terien (34) tulee osoittaa ruohonleikkuria kohti.
- ◆ Asenna teränohjain (32). Aseta D-kirjaimen muotoiset tapit (35) niin, että ne osoittavat ruohonleikkurista pois päin.
- ◆ Kohdista tuuletin (33) ja teränohjaimen (32) suorat sivut akselin vastaaviin tasapintoihin.
- ◆ Sovita terä (31) teränohjaimen (32) niin, että nuolet osoittavat ulospäin.
- ◆ Aseta puupalikka (28) estämään terän (31) pyöriminen (Kuva U).
- ◆ Aseta aluslaatta (30) ja laippamutteri (29) paikalleen ja kiristä 13 mm:n avaimella.

Terän teroittaminen (Kuva V)

Terävä terä leikkaa ruohoa parhaiten. Tylsä terä ei leikkaa tai silppua ruohoa siististi.

Varoitus! Tarkista, että turva-avain on irrotettu.

Varoitus! Käytä suojalaseja, kun irrotat, teroitat ja kiinnität terää.

Normaalioloissa yleensä riittää, kun terä teroitetaan kaksi kertaa kesässä. Hiekka tylsyyttää terän nopeasti.

Jos ruoho kasvaa hiekkamaassa, terää voi joutua teroittamaan useammin.

- ◆ Vaihda vääntyneen tai vahingoittuneen terän tilalle uusi.

Terän teroittamisessa huomioitavaa:

- ◆ Varmista, että terän tasapaino säilyy.
- ◆ Säilytä terän alkuperäinen teroituskulma.
- ◆ Teroita leikkaavat kohdat terän molemmin puolin ja poista metallia saman verran molemmilta puolilta.

Terän teroittaminen ruuvipenkissä (Kuva V)

- ◆ Sammuta ruohonleikkuri vapauttamalla kahva (2) ja odota, kunnes terä on täysin pysähtynyt.
- ◆ Irrota turva-avain (1) ja akku (22) ja kallista ruohonleikkuri kyljelleen.
- ◆ Irrota ruohonleikkurin terä (31). Katso terän irrotus- ja kiinnitysohjeita.

Varoitus! Käytä suojalaseja ja käsineitä ja varo terävää terää.

- ◆ Kiinnitä terä (31) ruuvipenkkiin.
- ◆ Viilaa terän leikkauspinnat hienolla viilalla tai hio hiomakivellä. Säilytä alkuperäinen leikkauskulma.
- ◆ Säilytä terän tasapaino. Katso terän tasapainutusohjeita.
- ◆ Asenna terä (31) ruohonleikkuriin ja kiristä kunnolla. Katso terän irrotus- ja kiinnitysohjeita.

Terän tasapainottaminen (Kuva W)

- ◆ Tarkista tasapaino asettamalla terä kiinnitysreiästään pyöreään naulaan tai ruuviavaimeen, joka on kiinnitetty ruuvipenkkiin vaaka-asentoon. Jos terän kumpi tahansa pää kallistuu alas, viilaa sitä päätä, kunnes terä pysyy tasapainossa.

Voiteleminen

Voitelu ei ole tarpeen. Älä voitele pyöriä. Niiden muoviset laakeripinnat eivät vaadi voitelua.

Puhdistaminen

- ◆ Sammuta ruohonleikkuri vapauttamalla kahva (2) ja odota, kunnes terä on täysin pysähtynyt.
- ◆ Irrota turva-avain (1).
- ◆ Käytä ruohonleikkurin puhdistamiseen vain mietoa pesuainetta ja kosteaa kangasta.
- ◆ Irrota ruohonleikkurin alapintaan mahdollisesti tarttunut leikkujäte jollakin tylsällä työkalulla.
- ◆ Tarkista useiden käyttökertojen jälkeen kiinnikkeiden pitävyyttä.

Korroosion estäminen

Lannoitteet ja muut puutarhakemikaalit sisältävät aineita, jotka nopeuttavat metallin korroosiota. Jos ruohonleikkurin käyttöalueelle on levitetty lannoitteita tai kemikaaleja, ruohonleikkuri on puhdistettava heti käytön jälkeen seuraavasti:

- ◆ Sammuta ruohonleikkuri vapauttamalla kahva (2) ja odota, kunnes terä on täysin pysähtynyt.
- ◆ Irrota turva-avain (1).
- ◆ Pyyhi lannoitteelle altistuneet osat kostealla rievulla.

Kuljetus ja varastointi

Varoitus! Pyöriä terä voi aiheuttaa vakavia vammoja.

Sammuta ruohonleikkuri vapauttamalla työntöaisa ja irrota turva-avain ennen ruohonleikkurin nostoa, siirtoa tai varastointia. Säilytä kuivassa paikassa.

Huomautus: Ruohonleikkurin nostamista voi helpottaa poistamalla akku ennen nostoa. Ruohonleikkuria ei saa nostaa salvasta.

Säilytys

Lämpimässä ilmastossa parhaan suorituskyvyn ylläpitämiseksi akkua suositellaan pidettäväksi jatkuvasti latauksessa.

Akku voidaan varastoida laturi irrotettuna seuraavissa olosuhteissa.

- ◆ Akku on ladattu täyteen ennen varastointia.
- ◆ Varaston lämpötila on alle 10 °C (50 °F).

Vianetsintä

Jos laite ei näytä toimivan oikein, noudata seuraavia ohjeita. Jos tämä ei auta, ota yhteys paikalliseen BLACK+DECKER-huoltoliikkeeseen.

Varoitus! Ennen jatkamista sammuta ruohonleikkuri vapauttamalla työntöaisa, odota kunnes terä pysähtyy ja irrota sitten turva-avain.

Ongelma	Mahdollinen ratkaisu
Laite ei toimi.	Varmista ennen työntöaisan liikuttamista, että turva-avain on kunnolla paikallaan ja että lukituspainike on kokonaan ylhäällä.
	Sammuta ruohonleikkuri vapauttamalla työntöaisa. Irrota turva-avain ja akku, käännä ruohonleikkuri kyljelleen ja tarkista, että terä pääsee pyörimään esteettä.
	Tarkista, että akkukotelo on puhdas ja akku on asennettu oikein.
	Onko akku täysin latautunut? Kytke laturi ja odota, kunnes vihreä merkivalo syttyy.
Moottori pysähtyy kesken käytön.	Sammuta ruohonleikkuri vapauttamalla työntöaisa. Irrota turva-avain ja akku. Käännä ruohonleikkuri kyljelleen ja tarkista, että terä pääsee pyörimään esteettä.
	Nosta leikkauskorkeus ylimmälle tasolle ja käynnistä ruohonleikkuri.
	Tarkista, että akkukotelo on puhdas ja että akku on kiinnitetty kunnolla.
	Onko akku täysin latautunut? Tarkista varaustila painamalla painiketta.
	Vältä ylikuormittamista leikkuria. Hidasta vauhtia tai nosta leikkauskorkeutta.
Laite tuottaa epätasaisen jäljen tai moottori käy voimakkaasti	Onko akku täysin latautunut? Tarkista varaustila painamalla painiketta.
	Sammuta ruohonleikkuri vapauttamalla työntöaisa. Irrota turva-avain ja akku. Käännä ruohonleikkuri kyljelleen ja tee seuraavat tarkistukset: <ul style="list-style-type: none"> ◆ Terän kunto. Pidä terä aina terävänä. ◆ Leikkurin alaosan ja poistoaukkoon mahdollisesti kertynyt ruohosilppu.
	Leikkaustaso on ehkä säädetty olosuhteisiin nähden liian alas. Nosta leikkaustasoa.
Ruohonleikkuri on raskas työntää.	Sammuta ruohonleikkuri vapauttamalla työntöaisa. Irrota turva-avain ja akku. Nosta leikkaustasoa, jotta ruohon vastus vähenee. Tarkista kaikkien pyörien esteetön pyörintä.

Ongelma	Mahdollinen ratkaisu
Ruohonleikkuri on normaalia äänekkäämpi ja tärisee.	Sammuta ruohonleikkuri vapauttamalla työntöaisa. Irrota turva-avain ja akku. Käännä ruohonleikkuri kyljelleen ja tarkista, ettei terä ole vääntynyt tai muuten vahingoittunut. Jos terä on vahingoittunut, vaihda sen tilalle BLACK+DECKERin vaihtoterä. Jos ruohonleikkurin alusta on vahingoittunut, toimita leikkuri valtuutettuun BLACK+DECKER-huoltoon korjattavaksi.
	Näkyviä terävarauroita ei ole havaittavissa, mutta ruohonleikkuri silti tärisee: <ul style="list-style-type: none"> ◆ Sammuta ruohonleikkuri vapauttamalla työntöaisa. ◆ Irrota turva-avain ja akku. ◆ Pura koko teräkokoonpano osion "Terän irrotus ja asennus" mukaisesti. ◆ Poista mahdolliset jäämät ja puhdista kaikki osat. ◆ Asenna osat takaisin osion "Terän irrotus ja asennus" mukaisesti.
	Jos ruohonleikkuri edelleen tärisee, toimita se valtuutettuun BLACK+DECKER-huoltoon korjattavaksi.
Ruohonleikkuri ei kerää leikattua ruohoa talteen pussiin.	Poistoaukko on tukossa. Sammuta ruohonleikkuri vapauttamalla työntöaisa. Irrota turva-avain ja akku. Puhdista poistoaukko leikkuujätteestä.
	Lyhennä leikattavaa määrää nostamalla leikkauskorkeutta.
	Pussi on täynnä. Tyhjennä pussi useammin.

Ympäristönsuojelu



Toimita tämä laite erilliskeräykseen. Tällä symbolilla merkityjä tuotteita ja akkuja ei saa hävittää tavallisen kotitalousjätteen mukana.

Kun Black & Decker -laitteesi aikanaan täytyy vaihtaa tai ei kelpaa enää käyttöön, älä hävitä laitetta kotitalousjätteen mukana. Toimita se kierrätykseen. Kierrätykseen toimitetut käytetyt tuotteet ja pakkaus voidaan käyttää uudelleen.

Tämä suojelee ympäristöä ja vähentää raaka-aineiden tarvetta.

Paikallisissa määräyksissä voidaan edellyttää, että sähkölaitteet on toimitettava kierrätysasemalle tai

jälleenmyyjälle, jolta osit uuden tuotteen. Black & Decker tarjoaa käytettyjen Black & Decker -tuotteiden keräys- ja kierrätysmahdollisuuden. Voit käyttää tätä palvelua palauttamalla tuotteen valtuutettuun huoltokorjaamoon. Saat valtuutettujen huoltoliikkeiden yhteystiedot ottamalla yhteyden Black & Decker Oy:hyn tässä käyttöoppaassa ilmoitetussa osoitteessa. Internet-osoitteesta www.2helpU.com löydät listan valtuutetuista Black & Decker -huoltoliikkeistä, tietoja palveluista sekä yhteystiedot

Hävitä loppuun kuluneet akut ympäristöstävällisesti:

- ◆ Käytä akku täysin loppuun ja irrota se sitten työkalusta.
- ◆ NiCd-, NiMH- ja Li-Ion-akut ovat kierrätettäviä. Pakkaa akut niin, että navat eivät aiheuta oikosulkuja. Voit viedä akut mihin tahansa valtuutettuun huoltoliikkeeseen tai paikalliselle jätehuoltoasemalle kierrätystä varten.
- ◆ Käsittele paristoja niin, että navat eivät joudu oikosulkuun.
- ◆ Älä yritä polttaa akkuja, sillä se voi aiheuttaa henkilövahinkoja tai räjähtää.

Tekniset tiedot

CLM3820		
Tulojännite	V _{sc}	36 V
Kuormittamaton nopeus	min-1	3500
Paino	kg	16,2
Akku		BL2036
Jännite	V _{sc}	36 V
Teho	Ah	2
Tyyppi		Li-Ion
Laturi		LCS36 tyyppi 1
Tulojännite	V _{ac}	230 V
Lähtöjännite	V _{sc}	36 V
Virta	A	1300
Arvioitu latausaika	h	1,0-2,0

Käden/käsivarren painotettu tärinäarvo:
= < 2,5 m/s² , epävarmuus (K) = 1,5 m/s².

L_w (äänenpaine) 80 dB(A)
epävarmuus (K) = 3 dB(A)

Leikkuualue:

- ◆ Tämä leikkuri pystyy leikkaamaan jopa 300 m² yhdellä 2 Ah:n akulla.
- ◆ Tämä alue (300 m²) voidaan saavuttaa yhdellä täyteen ladatulla 2 Ah:n akulla kuivissa olosuhteissa, kun korkeudensäätövipu on asennossa 6 ja ruoho ei ole kasvanut voimakkaasti.
- ◆ Kosteissa olosuhteissa, alhaisilla leikkuuasetuksilla tai voimakkaissa kasvuolosuhteissa leikkuualue saattaa jäädä pienemmäksi kuin 300 m².

EY-vaatimustenmukaisuusvakuutus KONEDIREKTIIVI ULKOILMAMELUDIREKTIIVI



CLM3820-ruohonleikkuri

Black & Decker ilmoittaa, että tuotteet, jotka on kuvattu kohdassa Tekniset tiedot, täyttävät seuraavien direktiivien vaatimukset:

2006/42/EY, EN 60335-1:2012/A13:2017;
EN 60335-2-77:2010; EN 62233:2008

2000/14/EY, Ruohonleikkuri, L < 50 cm, Liite VI,
TÜV SÜD Industrie Service GmbH
Westendstraße 199, 80686 München
Maa: Saksa

Ilmoitetun laitoksen tunnusnumero: 0036
LWA (mitattu ääniteho) 92 dB(A),
Epävarmuus (K) = 2,25 dB(A),
L_{WA} (taattu ääniteho) 96 dB(A).

Nämä tuotteet täyttävät myös direktiivien
2014/30/EU ja 2011/65/EU vaatimukset. Lisätietoja
saa ottamalla yhteyden Black & Deckeriin seuraavassa
osoitteessa. Tiedot ovat myös käyttöohjeen takakannessa.
Allekirjoittanut vastaa teknisten tietojen kokoamisesta tehden
tämän ilmoituksen Black & Deckerin puolesta.

Patrick Diepenbach

Patrick Diepenbach
Toimitusjohtaja, Benelux
Black and Decker,
Egide Walschaertsstraat 14-18
2800 Mechelen, Belgia
16.3.2022

Takuu

Black & Decker on vakuuttanut tuotteidensa korkeasta laadusta ja tarjoaa kuluttajille 24 kuukauden takuun, joka astuu voimaan ostopäivänä. Kyseinen takuu75 on lisäys kuluttajan laillisiin oikeuksiin eikä vaikuta niihin. Tämä takuu on voimassa kaikissa EU- ja ETA-maissa. Edellytyksenä takuun saamiselle on, että vaade täyttää Black & Deckerin ehdot ja että ostaja toimittaa ostotositteen jälleenmyyjälle tai valtuutetulle huoltoilikeelle. Black & Deckerin kahden vuoden takuun ehdot ja lähimmän valtuutetun korjauspalvelun yhteystiedot ovat saatavilla osoitteessa www.2helpu.com tai ottamalla yhteyttä paikalliseen Black & Deckerin toimipisteeseen tässä ohjekirjassa ilmoitettuihin osoitteisiin. Käy verkkosivuiltamme osoitteessa www.blackanddecker.fi ja rekisteröi uusi Black & Decker -tuotteesi saadaksesi tietoa uusista tuotteista ja erikoistarjouksista.

Προβλεπόμενη χρήση

Η χλοοκοπτική μηχανή BLACK+DECKER CLM3820 έχει σχεδιαστεί για κόψιμο γρασίδι. Αυτή η συσκευή προορίζεται μόνο για ερασιτεχνική χρήση.

Οδηγίες ασφαλείας**Προειδοποίηση!** Κατά τη χρήση

συσκευών μπαταρίας, πρέπει πάντοτε να τηρούνται βασικές προφυλάξεις ασφαλείας, συμπεριλαμβανομένων των παρακάτω, για τον περιορισμό του κινδύνου πυρκαγιάς, ηλεκτροπληξίας, τραυματισμού ατόμων και υλικών ζημιών.

Προειδοποίηση! Κατά τη χρήση του μηχανήματος πρέπει να τηρούνται οι κανόνες ασφαλείας.

Για ασφάλεια δική σας και των παρευρισκομένων, διαβάστε αυτές τις οδηγίες πριν χρησιμοποιήσετε το μηχάνημα.

Φυλάξτε τις οδηγίες σε ασφαλές μέρος για μεταγενέστερη χρήση.

- ♦ Αυτή η συσκευή δεν προορίζεται για χρήση από άτομα (περιλαμβανομένων παιδιών) με μειωμένες σωματικές, αισθητηριακές ή πνευματικές ικανότητες, ή με έλλειψη εμπειρίας και γνώσης, εκτός αν σε αυτά έχει παρασχεθεί από άτομο υπεύθυνο για την ασφάλειά τους επίβλεψη ή εκπαίδευση σχετικά με τη χρήση της συσκευής.
- ♦ Τα παιδιά πρέπει να επιτηρούνται για να εξασφαλίζεται ότι δεν παίζουν με τη συσκευή.
- ♦ Αν το καλώδιο ρεύματος έχει υποστεί ζημιά, πρέπει να αντικατασταθεί από τον κατασκευαστή ή ένα

εξουσιοδοτημένο κέντρο σέρβις BLACK+DECKER, για την αποφυγή κινδύνου.

- ♦ Διαβάστε προσεκτικά όλο το περιεχόμενο αυτού του εγχειριδίου πριν χρησιμοποιήσετε τη συσκευή.
- ♦ Η προβλεπόμενη χρήση περιγράφεται σε αυτό το εγχειρίδιο. Τόσο η χρήση αξεσουάρ ή προσαρτημάτων, όσο και η πραγματοποίηση με αυτή τη συσκευή οποιασδήποτε εργασίας, πέραν αυτών που συνιστώνται στο παρόν εγχειρίδιο οδηγιών, μπορεί να εγκυμονεί κίνδυνο σωματικών βλαβών.
- ♦ Φυλάξτε αυτό το εγχειρίδιο για μελλοντική αναφορά.

Χρήση της συσκευής

Προσέχετε πάντα όταν χρησιμοποιείτε τη συσκευή.

- ♦ Η συσκευή αυτή δεν προορίζεται για χρήση από νεαρά ή αδύναμα άτομα χωρίς επίβλεψη.
- ♦ Η συσκευή δεν πρέπει να χρησιμοποιείται ως παιχνίδι.
- ♦ Μην επιτρέπεται σε παιδιά ή ζώα να πλησιάζουν το χώρο εργασίας ή να αγγίζουν τη συσκευή ή το καλώδιο τροφοδοσίας.
- ♦ Απαιτείται στενή επίβλεψη όταν η συσκευή χρησιμοποιείται κοντά σε παιδιά.
- ♦ Να χρησιμοποιείται μόνο σε στεγνή τοποθεσία. Μην αφήσετε να βραχεί η συσκευή.
- ♦ Μη βυθίσετε τη συσκευή σε νερό.
- ♦ Μην ανοίγετε το περίβλημα του κυρίως

τήματος της συσκευής.

Δεν υπάρχουν στο εσωτερικό της συσκευής εξαρτήματα που επιδέχονται σέρβις από το χρήστη.

- ◆ Μη θέτετε σε λειτουργία τη συσκευή σε εκρηκτικό περιβάλλον, όπως όπου υπάρχει παρουσία εύφλεκτων υγρών, αερίων ή σκόνης.
- ◆ Για να αφαιρέσετε το φιν από την πρίζα μην το τραβάτε ποτέ από το καλώδιο. Έτσι, θα αποφύγετε τον κίνδυνο φθοράς του φιν και του καλωδίου.

Μετά τη χρήση

- ◆ Όταν δεν χρησιμοποιείται, η συσκευή πρέπει να φυλάσσεται σε στεγνό, καλά αεριζόμενο χώρο, μακριά από παιδιά.
- ◆ Τα παιδιά δεν πρέπει να έχουν πρόσβαση σε αποθηκευμένες συσκευές.
- ◆ Όταν η συσκευή φυλάσσεται ή μεταφέρεται με ένα όχημα, πρέπει να τοποθετείται στο χώρο αποσκευών ή να στερεώνεται ώστε να μη μετακινείται σε περίπτωση απότομων μεταβολών της ταχύτητας ή της κατεύθυνσης του οχήματος.

Έλεγχος και επισκευές

- ◆ Πριν από τη χρήση, ελέγξτε τη συσκευή σας για τυχόν εξαρτήματα που παρουσιάζουν ζημιά ή βλάβη. Ελέγξτε αν υπάρχουν σπασμένα εξαρτήματα, ζημιά σε διακόπτες και οτιδήποτε άλλο μπορεί να επηρεάσει τη λειτουργία της.
- ◆ Μη χρησιμοποιήσετε τη συσκευή

αν οποιοδήποτε εξάρτημά της έχει υποστεί ζημιά ή βλάβη.

- ◆ Δώστε τα τυχόν χαλασμένα ή ελαττωματικά εξαρτήματα για αντικατάσταση ή επιδιόρθωση σε ένα εξουσιοδοτημένο κέντρο επισκευών.
- ◆ Ποτέ μην επιχειρήσετε να αφαιρέσετε ή να αντικαταστήσετε οποιοδήποτε εξάρτημα, εκτός από αυτά που καθορίζονται στο παρόν εγχειρίδιο.
- ◆ Προσέχετε κατά τη ρύθμιση της χλοοκοπτικής μηχανής για να αποφύγετε εμπλοκή των δακτύλων μεταξύ των κινούμενων λεπίδων/ εξαρτημάτων και των σταθερών τμημάτων της μηχανής.
- ◆ Κατά τη συντήρηση των λεπίδων να έχετε υπόψη σας ότι, παρόλο που η πηγή τροφοδοσίας ρεύματος είναι αποσυνδεδεμένη, οι λεπίδες και πάλι μπορούν να κινηθούν.

Πρόσθετες οδηγίες ασφαλείας για χλοοκοπτικές μηχανές

- ◆ Κρατάτε γερά τη λαβή και με τα δύο χέρια όταν χρησιμοποιείτε τη χλοοκοπτική μηχανή.
- ◆ Οποιαδήποτε στιγμή είναι απαραίτητο να γείρετε τη χλοοκοπτική μηχανή, βεβαιωθείτε ότι και τα δύο χέρια σας παραμένουν στη θέση χειρισμού ενώ γέρνετε τη μηχανή. Κρατήστε και τα δυο σας χέρια στη θέση χειρισμού μέχρι να επαναφέρετε τη χλοοκοπτική μηχανή στην σωστή θέση στο έδαφος.
- ◆ Ποτέ μη φοράτε ακουστικά ραδιοφώνου ή συσκευής αναπαραγωγής μουσικής όταν

- χειρίζεστε τη χλοοκοπτική μηχανή.
- ◆ Ποτέ μην αποπειραθείτε να πραγματοποιήσετε ρύθμιση του ύψους τροχού όταν το μοτέρ βρίσκεται σε λειτουργία ή ενώ το κλειδί ασφαλείας βρίσκεται μέσα στο περίβλημα του διακόπτη.
 - ◆ Αν μπλοκάρει η χλοοκοπτική μηχανή, ελευθερώστε την μπάρα λειτουργίας για να την απενεργοποιήσετε, περιμένετε να σταματήσει η λεπίδα και αφαιρέστε το κλειδί ασφαλείας, πριν επιχειρήσετε να αποφράξετε τη χοάνη ή να απομακρύνετε οτιδήποτε από κάτω από το δάπεδο της μηχανής.
 - ◆ Μην πλησιάζετε τα χέρια και τα πόδια σας στην περιοχή κοπής.
 - ◆ Διατηρείτε τις λάμες αιχμηρές. Φοράτε πάντοτε προστατευτικά γάντια όταν χειρίζεστε τη λεπίδα της χλοοκοπτικής μηχανής.
 - ◆ Εάν χρησιμοποιείτε το συλλέκτη γρασιδιού, ελέγχετε τον τακτικά για τυχόν φθορές. Εάν έχει φθαρεί υπερβολικά, αντικαταστήστε τον με νέο συλλέκτη γρασιδιού, για τη δική σας ασφάλεια.
 - ◆ Επιδεικνύετε εξαιρετική προσοχή όταν κινείστε προς τα πίσω ή τραβάτε τη χλοοκοπτική μηχανή προς το μέρος σας.
 - ◆ Μην πλησιάζετε τα χέρια ή τα πόδια σας κοντά ή κάτω από τη χλοοκοπτική μηχανή. Παραμένετε πάντα μακριά από το άνοιγμα εξαγωγής.
 - ◆ Καθαρίστε την περιοχή όπου θα χρησιμοποιηθεί η χλοοκοπτική μηχανή από αντικείμενα όπως πέτρες, ξύλα, σύρματα, παιγνίδια, κόκαλα κλπ., τα οποία μπορούν να εκσφενδονιστούν από τη λεπίδα.
- Αντικείμενα τα οποία κτυπούν στη λεπίδα μπορούν να προκαλέσουν σοβαρό τραυματισμό σε άτομα.
- Παραμένετε πίσω από τη λαβή όταν το μοτέρ βρίσκεται σε λειτουργία.
- ◆ Μη χρησιμοποιείτε τη χλοοκοπτική μηχανή με γυμνά πόδια ή φορώντας σανδάλια. Φοράτε πάντοτε γερά υποδήματα.
 - ◆ Μην τραβάτε προς τα πίσω τη χλοοκοπτική μηχανή, εκτός εάν είναι απόλυτα απαραίτητο. Πάντοτε κοιτάτε κάτω και προς τα πίσω πριν και όσο κινείστε προς τα πίσω.
 - ◆ Ποτέ μην κατευθύνετε απορριπτόμενο υλικό προς οποιονδήποτε. Αποφύγετε την εξαγωγή υλικού προς κάποιο τοίχο ή άλλο εμπόδιο. Το υλικό μπορεί να εξοστρακιστεί προς το χειριστή. Απελευθερώστε τη μπάρα λειτουργίας για να απενεργοποιηθεί η χλοοκοπτική μηχανή και να σταματήσει η λεπίδα πριν περάσετε από επιφάνεια με χαλίκια.
 - ◆ Μη χρησιμοποιείτε τη χλοοκοπτική μηχανή χωρίς να είναι ολόκληρος ο συλλέκτης γρασιδιού, το προστατευτικό εξαγωγής, το πίσω προστατευτικό και άλλες προστατευτικές διατάξεις ασφαλείας στη θέση τους και σε λειτουργία. Περιοδικά ελέγχετε όλα τα προστατευτικά και τις προστατευτικές διατάξεις ασφαλείας για να εξασφαλίζετε ότι βρίσκονται σε καλή

- κατάσταση λειτουργίας και ότι θα λειτουργήσουν σωστά επιτελώντας το σκοπό τους. Αντικαταστήστε τυχόν προστατευτικό ή άλλη διάταξη ασφαλείας που έχει υποστεί ζημιά, πριν από την περαιτέρω χρήση.
- ♦ Ποτέ μην αφήνετε μια χλοοκοπτική μηχανή σε λειτουργία χωρίς επιτήρηση. Αφαιρείτε πάντα το κλειδί ασφαλείας αν πρόκειται να αφήσετε τη χλοοκοπτική μηχανή χωρίς επιτήρηση.
 - ♦ Πάντα ελευθερώνετε την μπάρα λειτουργίας για να σταματήσει το μοτέρ, περιμένετε να ακινητοποιηθεί απόλυτα η λεπίδα και αφαιρείτε το κλειδί ασφαλείας, πριν καθαρίσετε τη χλοοκοπτική μηχανή, αφαιρέσετε τη σακούλα συλλογής γρασιδιού, αποφράξετε το προστατευτικό εξαγωγής, όταν αφήνετε τη χλοοκοπτική μηχανή και πριν εκτελέσετε οποιαδήποτε εργασία ρύθμισης, επισκευής ή ελέγχου.
 - ♦ Χρησιμοποιείτε τη χλοοκοπτική μηχανή μόνο στο φως της ημέρας ή σε καλό τεχνητό φωτισμό, όταν αντικείμενα που τυχόν βρίσκονται στην πορεία της λεπίδας είναι εύκολα ορατά από την περιοχή χειρισμού της χλοοκοπτικής μηχανής.
 - ♦ Μη χρησιμοποιείτε τη χλοοκοπτική μηχανή όταν είστε υπό την επίδραση αλκοόλ ή ναρκωτικών ουσιών, ή όταν είστε άρρωστος(-η) ή κουρασμένος(-η). Πάντα να είστε σε επαγρύπνηση, να προσέχετε τι κάνετε και να χρησιμοποιείτε κοινή λογική.
 - ♦ Αποφεύγετε τα επικίνδυνα περιβάλλοντα. Ποτέ μη χρησιμοποιήσετε τη χλοοκοπτική μηχανή σε υγρό ή βρεγμένο γρασίδι, ούτε στη βροχή. Να είστε πάντοτε σίγουροι για το που πατάτε, και να περπατάτε, ποτέ μην τρέχετε.
 - ♦ Αν η χλοοκοπτική μηχανή παρουσιάσει ασυνήθιστους κραδασμούς, ελευθερώστε την μπάρα λειτουργίας, περιμένετε να σταματήσει η λεπίδα, αφαιρέστε το κλειδί ασφαλείας και στη συνέχεια ελέγξτε αμέσως την αιτία. Οι κραδασμοί αποτελούν γενικά προειδοποίηση προβλήματος, δείτε τον οδηγό αντιμετώπισης προβλημάτων για συμβουλές σε περίπτωση μη φυσιολογικών κραδασμών.
 - ♦ Φοράτε πάντοτε κατάλληλα προστατευτικά ματιών και αναπνοής κατά τη χρήση της χλοοκοπτικής μηχανής.
 - ♦ Η χρήση οποιουδήποτε αξεσουάρ ή εξαρτήματος που δεν συνιστάται για χρήση με αυτή τη χλοοκοπτική μηχανή, θα μπορούσε να είναι επικίνδυνη. Χρησιμοποιείτε μόνο αξεσουάρ εγκεκριμένα από την BLACK+DECKER.
 - ♦ Ποτέ μην τεντώνετε υπερβολικά όταν χρησιμοποιείτε τη χλοοκοπτική μηχανή. Να εξασφαλίζετε πάντοτε σωστή στήριξη στα πόδια σας και καλή ισορροπία όταν χρησιμοποιείτε τη χλοοκοπτική μηχανή.

- ♦ Σε εδάφη με κλίση, να κουρεύετε κατά το πλάτος της κλίσης και ποτέ προς τα πάνω και κάτω. Επιδεικνύετε εξαιρετική προσοχή όταν αλλάζετε κατεύθυνση σε εδάφη με κλίση.
- ♦ Να προσέχετε για λακούβες, αυλάκια, πέτρες ή άλλα κρυμμένα αντικείμενα. Το ανώμαλο έδαφος μπορεί να προκαλέσει ατύχημα λόγω ολίσθησης και πτώσης. Τα ψηλά χόρτα μπορεί να κρύβουν εμπόδια.
- ♦ Μην κουρεύετε σε βρεγμένο γρασιδί ή υπερβολικά κεκλιμένα εδάφη. Η κακή στήριξη στα πόδια σας μπορεί να προκαλέσει ατύχημα λόγω ολίσθησης και πτώσης.
- ♦ Μην κουρεύετε κοντά σε γκρεμούς, χαντάκια ή πρανή. Μπορεί να παραπατήσετε ή να χάσετε την ισορροπία σας.
- ♦ Πάντοτε αφήνετε τη χλοοκοπτική μηχανή να κρυώσει πριν την αποθηκεύσετε.

Υπολειπόμενοι κίνδυνοι.

Κατά τη χρήση του εργαλείου μπορεί να δημιουργηθούν πρόσθετοι υπολειπόμενοι κίνδυνοι, οι οποίοι ενδέχεται να μη συμπεριλαμβάνονται στις προειδοποιήσεις ασφαλείας που εσωκλείονται. Αυτοί οι κίνδυνοι μπορεί να προκληθούν από κακή χρήση, παρατεταμένη χρήση κλπ. Παρά την εφαρμογή των σχετικών κανονισμών ασφαλείας και τη χρήση διατάξεων ασφαλείας, ορισμένοι υπολειπόμενοι κίνδυνοι δεν είναι

δυνατό να αποφευχθούν. Σε αυτούς περιλαμβάνονται:

- ♦ Τραυματισμοί από επαφή με οποιαδήποτε περιστρεφόμενα/κινούμενα μέρη.
- ♦ Τραυματισμοί από αλλαγή οπιοωνδήποτε εξαρτημάτων, λεπίδων ή αξεσουάρ.
- ♦ Σωματικές βλάβες από παρατεταμένη χρήση εργαλείου. Όταν χρησιμοποιείτε οποιοδήποτε εργαλείο για παρατεταμένα χρονικά διαστήματα, μην παραλείπετε με κανένα τρόπο να κάνετε τακτικά διαλείμματα.
- ♦ Βλάβη της ακοής.
- ♦ Κίνδυνοι για την υγεία λόγω εισπνοής σκόνης που αναπτύσσεται κατά τη χρήση του εργαλείου (παραδείγματα:- εργασία με ξύλο, ειδικά βελανιδιά, οξιά και MDF).

Προειδοποιητικά σύμβολα

Η συσκευή φέρει τα παρακάτω προειδοποιητικά σύμβολα μαζί με τον κωδικό ημερομηνίας:



Προειδοποίηση! Διαβάστε το εγχειρίδιο οδηγιών πριν από τη λειτουργία.



Μην εκθέτετε τη συσκευή σε βροχή ή υψηλά επίπεδα υγρασίας.



Προσέχετε τις αιχμηρές λεπίδες.

Πάντα αφαιρείτε το κλειδί ασφαλείας πριν καθαρίσετε τη χλοοκοπτική μηχανή, αφαιρέσετε τη σακούλα συλλογής γρασιδιού, αποφράξετε το προστατευτικό εξαγωγής, όταν αφήνετε τη χλοοκοπτική μηχανή ή πριν εκτελέσετε οποιαδήποτε εργασία ρύθμισης, επισκευής ή ελέγχου.



Προσέχετε για τυχόν αντικείμενα που εκσφενδονίζονται. Μην αφήνετε να πλησιάσουν άλλα άτομα στην περιοχή κοπής.



Φοράτε προστασία ματιών



Οι λεπίδες συνεχίζουν να κινούνται και μετά την απενεργοποίηση του μηχανήματος.



Εγγυημένη ηχητική ισχύς σύμφωνα με την Οδηγία 2000/14/ΕΚ.

Πρόσθετες οδηγίες ασφαλείας για μπαταρίες και φορτιστές

Μπαταρίες

- ♦ Ποτέ μην επιχειρήσετε να τις ανοίξετε, για κανένα λόγο.
- ♦ Μην εκθέτετε την μπαταρία σε νερό.
- ♦ Μην εκθέτετε την μπαταρία σε θερμότητα.
- ♦ Μην αποθηκεύετε μπαταρίες σε θέσεις

όπου η θερμοκρασία ενδέχεται να υπερβεί τους 40 °C.

- ♦ Η φόρτιση πρέπει να γίνεται μόνο σε θερμοκρασίες περιβάλλοντος μεταξύ 10 °C και 40 °C.
- ♦ Η φόρτιση πρέπει να γίνεται μόνο με τον φορτιστή που παρέχεται μαζί με τη συσκευή/το εργαλείο. Η χρήση λανθασμένου φορτιστή θα μπορούσε να επιφέρει ηλεκτροπληξία, ή υπερθέρμανση της μπαταρίας.
- ♦ Κατά την απόρριψη μπαταριών, τηρείτε τις οδηγίες που παρέχονται στην ενότητα "Προστασία του περιβάλλοντος".
- ♦ Μην προξενήσετε ζημιά/ παραμορφώσετε το πακέτο μπαταριών είτε με τρύπημα είτε με χτύπημα, επειδή αυτό μπορεί να προκαλέσει κίνδυνο τραυματισμού και πυρκαγιάς.
- ♦ Μη φορτίζετε μπαταρίες που έχουν υποστεί ζημιά.
- ♦ Υπό ακραίες συνθήκες μπορεί να προκύψει διαρροή στην μπαταρία. Αν παρατηρήσετε υγρό πάνω στις μπαταρίες, σκουπίστε το προσεκτικά με ένα πανί. Αποφύγετε την επαφή με το δέρμα.
- ♦ Σε περίπτωση επαφής με το δέρμα ή τα μάτια, ακολουθήστε τις παρακάτω οδηγίες.

Προειδοποίηση! Το υγρό της μπαταρίας μπορεί να προκαλέσει σωματικές βλάβες ή υλικές ζημιές. Σε περίπτωση επαφής με το δέρμα, ξεπλύνετε αμέσως με άφθονο νερό. Αν παρουσιαστεί κοκκίνισμα του δέρματος, πόνος ή ερεθισμός, ζητήστε ιατρική βοήθεια. Σε περίπτωση

επαφής με τα μάτια, ξεπλύνετε αμέσως με καθαρό νερό και ζητήστε ιατρική βοήθεια.



Μην επιχειρήσετε να φορτίσετε μπαταρίες που έχουν υποστεί ζημιά.

Φορτιστές

Ο φορτιστής σας είναι σχεδιασμένος για συγκεκριμένη ηλεκτρική τάση. Ελέγχετε πάντα ότι η τάση ρεύματος δικτύου συμφωνεί με αυτήν που αναγράφεται στην πινακίδα τεχνικών χαρακτηριστικών.

Προειδοποίηση! Ποτέ μην επιχειρήσετε να αντικαταστήσετε τη μονάδα φορτιστή με κανονικό φως ρεύματος δικτύου.

- ♦ Ο φορτιστής BLACK+DECKER πρέπει να χρησιμοποιείται αποκλειστικά και μόνο για τη φόρτιση της μπαταρίας του εργαλείου που συνόδευε. Άλλες μπαταρίες ενδέχεται να εκραγούν, προκαλώντας τραυματισμό ατόμων και ζημιές.
- ♦ Ποτέ μην επιχειρήσετε να φορτίσετε μη επαναφορτιζόμενες μπαταρίες.
- ♦ Αν το καλώδιο ρεύματος έχει υποστεί ζημιά, πρέπει να αντικατασταθεί από τον κατασκευαστή ή ένα εξουσιοδοτημένο κέντρο σέρβις BLACK+DECKER, για την αποφυγή κινδύνου.
- ♦ Μην εκθέτετε τον φορτιστή σε νερό.
- ♦ Μην ανοίξετε τον φορτιστή.
- ♦ Μην εισάγετε οποιαδήποτε αντικείμενα μέσα στο φορτιστή.

- ♦ Κατά τη φόρτιση, η συσκευή/το εργαλείο/η μπαταρία πρέπει να βρίσκεται σε καλά αεριζόμενο χώρο.



Ο φορτιστής προορίζεται για χρήση μόνο σε εσωτερικούς χώρους.



Διαβάστε το εγχειρίδιο οδηγιών πριν τη χρήση.

Ασφαλής χρήση ηλεκτρικού ρεύματος



Ο φορτιστής σας φέρει διπλή μόνωση. Επομένως, δεν απαιτείται αγωγός γείωσης. Ελέγχετε πάντα ότι η τάση ρεύματος δικτύου συμφωνεί με αυτήν που αναγράφεται στην πινακίδα τεχνικών χαρακτηριστικών. Ποτέ μην επιχειρήσετε να αντικαταστήσετε τη μονάδα φορτιστή με κανονικό φως ρεύματος δικτύου.

Χαρακτηριστικά Η συσκευή αυτή διαθέτει μερικά ή όλα από τα παρακάτω χαρακτηριστικά.

1. Κλειδί ασφαλείας
2. Μπάρα λειτουργίας
3. Μηχανισμός απεμπλοκής ασφάλισης
4. Μπάρα λαβής
5. Κλιπ συγκράτησης καλωδίου
6. Πάνω λαβή
7. Σφικτήρας ταχείας απελευθέρωσης πάνω λαβής
8. Ένδειξη πλήρους συλλέκτη γρασιδιού
9. Συλλέκτης γρασιδιού
10. Κάτω λαβή
11. Σφικτήρας ταχείας απελευθέρωσης κάτω λαβής
12. Ελατηριωτό πίσω πορτάκι
13. Λαβή ρύθμισης ύψους
14. Κάλυμμα μπαταριών
15. Ασφάλιση καλύμματος μπαταρίας
16. Λαβή

Συναρμολόγηση

Προειδοποίηση! Πριν τη συναρμολόγηση, βεβαιωθείτε ότι το εργαλείο είναι απενεργοποιημένο και ότι το κλειδί ασφαλείας και η μπαταρία έχουν αφαιρεθεί.

Συναρμολόγηση του συλλέκτη γρασιδιού (εικ. Α - C)

Ο συλλέκτης γρασιδιού χρειάζεται συναρμολόγηση πριν τη χρήση και παρέχεται σε 3 τμήματα.

- ◆ Κομπώστε μεταξύ τους τις 2 πλευρές του συλλέκτη γρασιδιού (9) (εικ. Α). Βεβαιωθείτε ότι είναι ευθυγραμμισμένα όλα τα κλιπ και οι οδηγοί.
- ◆ Ευθυγραμμίστε το καπάκι (17) στο συναρμολογημένο συλλέκτη γρασιδιού. Εξασφαλίστε ότι οι οδηγοί και τα κλιπ έχουν ευθυγραμμιστεί.

Σημείωση: Προσέχετε ιδιαίτερα κατά την ευθυγράμμιση των κλιπ στο πίσω μέρος του συλλέκτη γρασιδιού.

- ◆ Πιέστε το καπάκι για να ασφαλισουν όλα τα κλιπ. Αρχίστε από εμπρός και κατευθυνθείτε προς τα πίσω. Διασφαλίστε ότι όλα τα κλιπ είναι σωστά τοποθετημένα.

Τοποθέτηση της κάτω λαβής (εικ. D και E)

- ◆ Αφαιρέστε τους σφικτήρες ταχείας απελευθέρωσης της κάτω λαβής (11) από τη βάση της μηχανής.
- ◆ Τοποθετήστε την κάτω λαβή (10) γύρω από τη βάση και διασφαλίστε ότι οι τρεις εγκοπές (18) της κάτω λαβής (10) είναι στραμμένες προς τα πάνω.
- ◆ Βιδώστε τους σφικτήρες ταχείας απελευθέρωσης (11) της κάτω λαβής μέσα από την κάτω λαβή στη βάση της μηχανής. Όταν οι σφικτήρες ταχείας απελευθέρωσης της κάτω λαβής βιδωθούν έως τη μέση, κλείστε τους σφικτήρες ταχείας απελευθέρωσης (εικ. E) και βεβαιωθείτε ότι τα δόντια της λαβής και της βάσης αλληλοσυνδέονται. Αν η σύνδεση μεταξύ της λαβής και των σφικτήρων ταχείας απελευθέρωσης είναι υπερβολικά σφικτή ή χαλαρή, προσαρμόστε το βάθος των σφικτήρων ταχείας απελευθέρωσης και κλείστε τους ξανά έως ότου τα δόντια να είναι εντελώς κλειστά.

Τοποθέτηση της πάνω λαβής (εικ. F και G)

- ◆ Προσαρμόστε την πάνω λαβή (6) στην κάτω λαβή (10) χρησιμοποιώντας τους σφικτήρες ταχείας απελευθέρωσης (7) της πάνω λαβής και τα παξιμάδια των σφικτήρων (19) όπως δείχνει η εικόνα.
- ◆ Βιδώστε τους σφικτήρες ταχείας απελευθέρωσης (7) της πάνω λαβής μέσα από την κάτω λαβή στα παξιμάδια των σφικτήρων (20). Όταν οι σφικτήρες ταχείας απελευθέρωσης της πάνω λαβής βιδωθούν ως τη μέση, κλείστε τους σφικτήρες ταχείας απελευθέρωσης (εικ. G). Αν η σύνδεση μεταξύ της λαβής και των σφικτήρων ταχείας απελευθέρωσης είναι υπερβολικά σφικτή ή χαλαρή, προσαρμόστε το βάθος των σφικτήρων ταχείας απελευθέρωσης και κλείστε τους ξανά έως ότου τα δόντια να είναι εντελώς κλειστά.

Ρύθμιση του ύψους της λαβής (εικ. H)

- ◆ Ελευθερώστε το σφικτήρα ταχείας απελευθέρωσης της κάτω λαβής όπως δείχνει η εικόνα.
- ◆ Ανασηκώστε ή χαμηλώστε τη λαβή σε μία από τις 3 σημειωμένες θέσεις δίπλα από τους σφικτήρες ταχείας απελευθέρωσης της κάτω λαβής.
- ◆ Κλείστε τους σφικτήρες ταχείας απελευθέρωσης (11) της κάτω λαβής και διασφαλίστε ότι τα δόντια της λαβής και της βάσης αλληλοσυνδέονται. Αν η σύνδεση μεταξύ της λαβής και των σφικτήρων ταχείας απελευθέρωσης είναι υπερβολικά σφικτή ή χαλαρή, προσαρμόστε το βάθος των σφικτήρων ταχείας απελευθέρωσης και κλείστε τους ξανά έως ότου τα δόντια να είναι εντελώς κλειστά.

Ασφάλιση του καλωδίου του μοτέρ

Το καλώδιο του μοτέρ πρέπει να στερεωθεί χρησιμοποιώντας το συγκρατητήρα του καλωδίου.

- ◆ Ασφαλίστε το καλώδιο στην πάνω και κάτω λαβή κουμπώνοντας το μέσα στα κλιπ συγκράτησης καλωδίου (5).

Τοποθέτηση του συλλέκτη γρασιδιού (εικ. I και J)

- ◆ Σηκώστε το διαφανές περυσίο γρασιδιού (12) και τοποθετήστε τον συλλέκτη γρασιδιού (9) πάνω από τις προεξοχές (20).

Ρύθμιση του ύψους των τροχών (εικ. K και L)

Η χλοοκοπτική μηχανή σας διαθέτει το σύστημα ρύθμισης ύψους BLACK+DECKER Easy. Αυτό το σύστημα ρυθμίζει ταυτόχρονα και τους τέσσερις τροχούς.

Η χλοοκοπτική μηχανή έχει έξι θέσεις ρύθμισης ύψους της λεπίδας (30 mm έως 80 mm). Ανατρέξτε στην κλίμακα του πλαισίου τμήματος της χλοοκοπτικής μηχανής. Ο δείκτης υποδεικνύει τη ρύθμιση ύψους για το κούρεμα του γκαζόν σας.

Αυτή τη ρύθμιση μπορείτε να τη χρησιμοποιήσετε ως αναφορά την επόμενη φορά που θα θελήσετε να κουρέψετε το γκαζόν σας στο ίδιο ύψος.

- ◆ Ελευθερώστε την μπάρα λειτουργίας (2) για να απενεργοποιήσετε τη χλοοκοπτική μηχανή, περιμένετε μέχρι να σταματήσει η λεπίδα και αφαιρέστε το κλειδί ασφαλείας (1).
- ◆ Για να ανεβάσετε ή κατεβάσετε το ύψος κοπής, τοποθετήστε την παλάμη του χεριού σας στη θέση στήριξης παλάμης (21) και τραβήξτε τον μοχλό ρύθμισης ύψους (13) αντίθετα από το σώμα της χλοοκοπτικής μηχανής.
- ◆ Μετακινήστε τον μοχλό ρύθμισης ύψους (13) στην απαιτούμενη θέση και στη συνέχεια πιέστε τον πάλι πίσω προς το σώμα της χλοοκοπτικής μηχανής.

Σημείωση: Βεβαιωθείτε ότι η χλοοκοπτική μηχανή έχει ασφαλίσει σωστά σε μία από τις έξι θέσεις.

Αφαίρεση και τοποθέτηση της μπαταρίας (εικ. Ο)**Πριν αφαιρέσετε την μπαταρία:**

- ◆ Τοποθετήστε τη μηχανή σε επίπεδο έδαφος.
- ◆ Ελευθερώστε την μπάρα λειτουργίας (2) για να απενεργοποιήσετε τη μηχανή, περιμένετε μέχρι να σταματήσει η λεπίδα και αφαιρέστε το κλειδί ασφαλείας (1).

Για να αφαιρέσετε την μπαταρία:

- ◆ Τραβήξτε την ασφάλιση καλύμματος μπαταρίας (15) προς το μπροστινό τμήμα του σώματος της χλοοκοπτικής μηχανής και ανασήκωσε το κάλυμμα της μπαταρίας (14).
- ◆ Αнуψώστε την μπαταρία (22) έξω από τη χλοοκοπτική μηχανή.

Για να τοποθετήσετε την μπαταρία

- ◆ Τραβήξτε την ασφάλιση καλύμματος μπαταρίας (15) προς το μπροστινό τμήμα του σώματος της χλοοκοπτικής μηχανής και ανασήκωσε το κάλυμμα της μπαταρίας (14).
- ◆ Τοποθετήστε τη μπαταρία (22) μέσα στη χλοοκοπτική μηχανή. (η μπαταρία μπορεί να τοποθετηθεί μόνο με έναν τρόπο.)

Χρήση

Προειδοποίηση! Αφήστε τη συσκευή να λειτουργήσει με το δικό της ρυθμό.

Μην την υπερφορτώνετε.

Φόρτιση της μπαταρίας (εικ. Μ)

Η μπαταρία πρέπει να φορτιστεί πριν την πρώτη χρήση και όταν δεν μπορεί πλέον να παρέχει επαρκή ισχύ σε εργασίες που πριν γίνοντουσαν εύκολα. Η μπαταρία μπορεί να θερμαίνεται κατά τη φόρτιση. Κάτι τέτοιο είναι φυσιολογικό και δεν υποδηλώνει πρόβλημα.

Προειδοποίηση! Μη φορτίζετε την μπαταρία σε θερμοκρασίες περιβάλλοντος κάτω από 10 °C ή πάνω από 40 °C. Η συνιστώμενη θερμοκρασία φόρτισης είναι περίπου 24 °C.

Σημείωση: Ο φορτιστής δεν θα φορτίσει μια μπαταρία με θερμοκρασία στοιχείων κάτω από περίπου 0 °C ή πάνω από 40 °C.

Η μπαταρία θα πρέπει να παραμείνει στον φορτιστή και αυτός θα αρχίσει να τη φορτίζει αυτόματα μόλις η θερμοκρασία στοιχείων αυξηθεί ή μειωθεί αντίστοιχα.

- ◆ Για να φορτίσετε την μπαταρία (22), τοποθετήστε την στον φορτιστή (23). Η μπαταρία μπορεί να τοποθετηθεί στον φορτιστή μόνο με έναν τρόπο. Μην ασκείτε άσκοπη δύναμη. Βεβαιωθείτε ότι η μπαταρία έχει εδράσει πλήρως μέσα στον φορτιστή.
- ◆ Συνδέστε τον φορτιστή στην πρίζα και κατόπιν ενεργοποιήστε τον από το δίκτυο ρεύματος.

Η ενδεικτική λυχνία φόρτισης (24) θα αρχίσει να αναβοσβήνει

συνεχώς (αργά) με πράσινο χρώμα.

Η φόρτιση έχει ολοκληρωθεί όταν η ενδεικτική λυχνία φόρτισης (24) ανάψει σταθερά με πράσινο χρώμα. Ο φορτιστής και η μπαταρία μπορούν να παραμείνουν συνδεδεμένα επ' αόριστον όσο η ενδεικτική λυχνία LED είναι αναμμένη. Η ενδεικτική λυχνία LED θα αναβοσβήνει με πράσινο χρώμα (φόρτιση), καθώς ο φορτιστής αναπληρώνει περιστασιακά τη φόρτιση της μπαταρίας. Η ενδεικτική λυχνία φόρτισης (24) παραμένει αναμμένη για όσο διάστημα η μπαταρία είναι συνδεδεμένη με το φορτιστή στην πρίζα.

- ◆ Φορτίστε τις αποφορτισμένες μπαταρίες εντός 1 εβδομάδας. Η διάρκεια ζωής μιας μπαταρίας μειώνεται σημαντικά αν αποθηκευτεί σε αποφορτισμένη κατάσταση.

Παραμονή της μπαταρίας στον φορτιστή

Ο φορτιστής και το πακέτο μπαταριών μπορούν να παραμείνουν συνδεδεμένα επ' αόριστον με τη λυχνία LED αναμμένη. Ο φορτιστής θα διατηρεί το πακέτο μπαταριών σε βέλτιστη κατάσταση και πλήρως φορτισμένο.

Διαγνωστικά φορτιστή

Αν ο φορτιστής ανιχνεύσει ότι η μπαταρία είναι εξασθενημένη ή έχει υποστεί ζημιά, η ενδεικτική λυχνία φόρτισης (24) θα αρχίσει να αναβοσβήνει γρήγορα με κόκκινο χρώμα.

Προχωρήστε ως εξής:

- ◆ Επανατοποθετήστε τη μπαταρία (22).
- ◆ Εάν η ενδεικτική λυχνία φόρτισης συνεχίσει να αναβοσβήνει γρήγορα με κόκκινο χρώμα, χρησιμοποιήστε μια άλλη μπαταρία για να εξακριβώσετε αν η διαδικασία φόρτισης λειτουργεί σωστά.
- ◆ Εάν η νέα μπαταρία φορτίζεται σωστά, αυτό σημαίνει ότι η αρχική μπαταρία είναι ελαττωματική και θα πρέπει να επιστραφεί σε ένα κέντρο σέρβις για ανακύκλωση.
- ◆ Εάν η νέα μπαταρία δίνει την ίδια ένδειξη με την αρχική μπαταρία, παραδώστε τον φορτιστή για έλεγχο σε ένα εξουσιοδοτημένο κέντρο σέρβις.

Σημείωση: Μπορεί να χρειαστούν μέχρι και 30 λεπτά για να εξακριβωθεί εάν η μπαταρία είναι ελαττωματική.

Εάν η μπαταρία είναι πολύ ζεστή ή πολύ κρύα, η ενδεικτική λυχνία LED θα αναβοσβήνει εναλλάξ με κόκκινο χρώμα σε γρήγορο και αργό ρυθμό εναλλασσόμενα, με μία αναλαμπή σε κάθε ρυθμό και επαναλαμβανόμενα.

Ενδεικτική λυχνία κατάστασης φόρτισης (εικ. Ν)

Η μπαταρία είναι εξοπλισμένη με μια ενδεικτική λυχνία κατάστασης φόρτισης. Αυτή μπορεί να χρησιμοποιηθεί για να εμφανίσει το τρέχον επίπεδο φόρτισης στην μπαταρία κατά τη διάρκεια της χρήσης και κατά τη διάρκεια της φόρτισης.

- ◆ Πιέστε το κουμπί ένδειξης κατάστασης φόρτισης (25).

Κλειδί ασφαλείας (εικ. Ρ)

Αφαιρέστε το κλειδί ασφαλείας:

- ◆ Οποτεδήποτε αφήγεται τη μηχανή χωρίς επιτήρηση.

- ◆ Πριν την καθαρίσετε σε περίπτωση που έχει φράξει.
- ◆ Πριν τον έλεγχο, τον καθαρισμό ή την εργασία με τη μηχανή.
- ◆ Αφού χτυπήσει σε ξένο αντικείμενο.
- ◆ Οποτεδήποτε αρχίζει να δονείται με μη φυσιολογικό τρόπο.

Θέση εντός και εκτός λειτουργίας (εικ. Ρ και Q)

Προειδοποίηση! Αιχμηρή κινούμενη λεπίδα. Μην προσπαθήσετε ποτέ να παρακάμψετε τη λειτουργία αυτού του συστήματος διακόπτη και κλειδιού ασφαλείας, καθώς μπορεί να προκληθεί σοβαρός τραυματισμός.

Ενεργοποίηση

- ◆ Εισαγάγετε το κλειδί ασφαλείας (1) πλήρως μέσα στο περίβλημα του διακόπτη.
- ◆ Πιέστε το κουμπί μηχανισμού απεμπλοκής ασφάλισης (3) στο πάνω τμήμα του περιβλήματος διακόπτη.
- ◆ Τραβήξτε τη μπάρα λειτουργίας λεπίδας (2) προς την μπάρα λαβής (4).

Απενεργοποίηση

- ◆ Για να απενεργοποιήσετε τη χλοοκοπτική μηχανή, απελευθερώστε τη μπάρα λειτουργίας λεπίδας (2). Όταν η μπάρα λειτουργίας (2) επιστρέψει στην αρχική της θέση θα ενεργοποιήσει τον αυτόματο μηχανισμό ασφαλείας. Στο μοτέρ εφαρμόζεται ηλεκτρική πέδηση και η λεπίδα της χλοοκοπτικής μηχανής θα σταματήσει να περιστρέφεται σε 3 δευτερόλεπτα ή λιγότερο.

Ένδειξη πλήρους συλλέκτη γρασιδιού (εικ. R)

Η χλοοκοπτική μηχανή διαθέτει μια διάταξη που σας επιτρέπει να βλέπετε εύκολα πόσο ο συλλέκτης γρασιδιού έχει γεμίσει και χρειάζεται αδειασμα.

- ◆ Όταν η χλοοκοπτική μηχανή λειτουργεί και ο συλλέκτης γρασιδιού είναι άδειος, η ένδειξη θα βρίσκεται στην ανοικτή θέση (26).
- ◆ Όταν η χλοοκοπτική μηχανή λειτουργεί και ο συλλέκτης γρασιδιού είναι γεμάτος, η ένδειξη θα βρίσκεται στην κλειστή θέση (27).

Συμβουλές για βέλτιστη χρήση

- ◆ Πρέπει πρώτα να κουρεύετε το γραζόν την άνοιξη όταν το γρασίδι βρίσκεται σε ύψος περίπου 63 mm έως 76 mm. Εάν κουρεύετε το γραζόν πολύ νωρίτερα από την εποχή που πρέπει, εμποδίζετε την ανανέωση των ριζών του γρασιδιού, που συμβαίνει κάθε άνοιξη. Πρέπει να κουρεύετε το νέο γρασίδι όταν βρίσκεται σε ύψος περίπου 63 mm.
- ◆ Μην αφαιρείτε πάρα πολύ γρασίδι σε μία φορά, ποτέ περισσότερο από το 1/3 του ύψους του φύλλου κατά τη διάρκεια του κάθε κουρέματος. Εάν κουρεύετε το

γραζόν πάρα πολύ κοντό "στρεσάρονται" τα ευαίσθητα φύλλα του γραζόν, με αποτέλεσμα οι ρίζες να μην αναπτύσσονται σε βάθος έτσι ώστε το γραζόν σας να φτάνει πιο δύσκολα το νερό στο έδαφος.

- ◆ Να κουρεύετε το γραζόν σας όταν είναι στεγνό για να αποφεύγετε το σχηματισμό σβόλων από το υγρό γρασίδι. Εάν έχετε επιλογή, η ιδανική ώρα για το κούρεμα του γραζόν είναι αργά το απόγευμα, όχι μόνο γιατί το γραζόν είναι στεγνό, αλλά επειδή η ευαίσθητη, φρεσκοκουρεμένη περιοχή του γραζόν δε θα εκτεθεί στο άμεσο ηλιακό φως.
- ◆ Διατηρήστε τη λεπίδα κουρέματος κοφτερή για άριστη κοπή. Με τον τρόπο αυτό βελτιώνεται η απόδοση της χλοοκοπτικής μηχανής καθώς επίσης και η εμφάνιση του γραζόν σας. Μία στομωμένη λεπίδα θρυμματίζει και τσακίζει τις άκρες του γρασιδιού. Αυτό βλάπτει την υγιή ανάπτυξη του γραζόν σας και γίνεται επιρρεπές στις ασθένειες του γρασιδιού. Εάν οι άκρες του γρασιδιού τσακιστούν, το γραζόν παίρνει ένα καφετί χρώμα που το κάνει να φαίνεται "αρρωστημένο". Μία στομωμένη λεπίδα μπορεί επίσης να τραβήξει προς τα έξω τους νέους σπόρους του γρασιδιού.
- ◆ Προσπαθήστε να κουρεύετε το γραζόν σας σε ένα σταθερό ύψος. Παρόλο που υπάρχουν φορές που θα πρέπει να ποικίλλει το ύψος του κουρέματος με την αλλαγή των εποχών, ένα σταθερό ύψος κουρέματος κάνει το γραζόν πιο υγιές, πιο όμορφο και με γενικά λιγότερα αγριόχορτα. Να κουρεύετε το γραζόν συχνά, κατά τις περιόδους υψηλής βλάστησης. Το συχνό κούρεμα του γραζόν σας εξασφαλίζει ότι δε θα εμφανιστεί το χαμηλότερο, λιγότερο όμορφο μέρος του γρασιδιού.
- ◆ Εάν το γραζόν σας έχει μεγαλώσει πάρα πολύ, για παράδειγμα κατά τη διάρκεια των διακοπών, κουρέψτε το με τη λεπίδα σε ύψος μιας ή δύο θέσεων πιο ψηλά από το κανονικό. Ένα δεύτερο πέρασμα στο συνηθισμένο ύψος κουρέματος λίγες μέρες αργότερα θα επαναφέρει το γραζόν σας πίσω στο πρόγραμμά του. Η αλλαγή του ύψους κοπής είναι κάτι απλό με τη λειτουργία Ρύθμιση ύψους τροχών με ένα άγγιγμα της BLACK+ DECKER, η οποία ρυθμίζει και τους τέσσερις τροχούς ταυτόχρονα.
- ◆ Την άνοιξη ή το φθινόπωρο ή μετά από διακοπή στο πρόγραμμα κουρέματος, το γρασίδι θα είναι μεγαλύτερο και πιο πυκνό. Εάν το μοτέρ συνεχώς επιβραδύνει κατά τη διάρκεια του κουρέματος, προσπαθήστε να ρυθμίσετε τους τροχούς για μεγαλύτερο ύψος κοπής. Η υποφόρτωση του μοτέρ μπορεί να προκαλέσει ανεμοιογενές κούρεμα, γρηγορότερη εξάντληση της μπαταρίας και επίσης μπορεί το μοτέρ να σταματήσει.
- ◆ Υπάρχουν τρεις καλοί τρόποι για να βελτιώσετε την εμφάνιση του γραζόν σας: Αλλάζετε συχνά την κατεύθυνση της φοράς κουρέματος, κουρεύετε σε οριζόντια διεύθυνση σε κατηφορικό έδαφος (αυτή είναι

και μια καλή πρακτική ασφαλείας) και μην ξεχνάτε να επικαλύπτετε τη διαδρομή που έχετε κουρέψει σε κάθε πέρασμα.

Συμβουλές για κούρεμα του γκαζόν

Σημείωση: Να επιθεωρείτε πάντα την περιοχή όπου θα χρησιμοποιήσετε τη χλοοκοπτική μηχανή και να απομακρύνετε όλες τις πέτρες, ξύλα, σύρματα, κόκαλα και άλλα αντικείμενα τα οποία μπορούν να εκσφενδονιστούν από την περιστρεφόμενη λεπίδα.

- ◆ Σε εδάφη με κλίση, να κουρεύετε κατά το πλάτος της κλίσης και ποτέ προς τα πάνω και κάτω. Επιδεικνύετε εξαιρετική προσοχή όταν αλλάζετε κατεύθυνση σε εδάφη με κλίση. Μην κουρεύετε σε υπερβολικά απότομες κλίσεις. Φροντίστε να βρίσκεστε πάντα σε σταθερή θέση.
- ◆ Απελευθερώστε την μπάρα λειτουργίας (2) για να απενεργοποιηθεί η χλοοκοπτική μηχανή όταν διασχίζετε επιφάνεια με χαλίκια καθώς μπορεί να εκσφενδονιστούν πέτρες από την περιστρεφόμενη λεπίδα.
- ◆ Ρυθμίστε τη χλοοκοπτική μηχανή στο ανώτατο ύψος κοπής όταν κουρεύετε σε σκληρό έδαφος ή σε ψηλά αγριόχορτα. Η απομάκρυνση υπερβολικής ποσότητας γρασιδιού με τη μία μπορεί να προκαλέσει υπερφόρτωση του μοτέρ που θα προκαλέσει διακοπή λειτουργίας της χορτοκοπτικής μηχανής. Ανατρέξτε στον οδηγό αντιμετώπισης προβλημάτων. Εάν χρησιμοποιήσετε το συλλέκτη γρασιδιού (9) κατά την εποχή υψηλής βλάστησης, το γρασίδι μπορεί να φράξει το άνοιγμα κένωσης.
- ◆ Απελευθερώστε την μπάρα λειτουργίας (2) για να απενεργοποιήσετε τη χλοοκοπτική μηχανή και αφαιρέστε το κλειδί ασφαλείας (1).
- ◆ Αφαιρέστε τον συλλέκτη γρασιδιού (9) και ανακινήστε το γρασίδι προς το πίσω μέρος της σακούλας.
- ◆ Καθαρίστε τυχόν χορτάρι ή υπολείμματα βρωμιάς τα οποία μπορεί να έχουν συσσωρευτεί στο άνοιγμα κένωσης.
- ◆ Επαναποθετήστε τον συλλέκτη γρασιδιού (9).

Εάν η χλοοκοπτική μηχανή αρχίσει να παρουσιάζει μη φυσιολογικούς κραδασμούς:

- ◆ Ελευθερώστε αμέσως την μπάρα λειτουργίας (2) για να απενεργοποιήσετε τη χλοοκοπτική μηχανή και αφαιρέστε το κλειδί ασφαλείας (1) και το πακέτο μπαταριών (22).
- ◆ Ελέγξτε την αιτία των κραδασμών. Οι κραδασμοί αποτελούν προειδοποίηση. Μη θέσετε πάλι σε λειτουργία τη χλοοκοπτική μηχανή μέχρι να γίνει έλεγχος από το σέρβις. Ανατρέξτε στον οδηγό αντιμετώπισης προβλημάτων στο εγχειρίδιο.

Σημείωση: Ελευθερώνετε πάντοτε την μπάρα λειτουργίας για να απενεργοποιήσετε τη χλοοκοπτική μηχανή και αφαιρέτε το κλειδί ασφαλείας όταν αφήνετε τη μηχανή χωρίς επιτήρηση ακόμη και για μικρό χρονικό διάστημα.

Οι παρακάτω υποδείξεις θα σας βοηθήσουν ώστε να

επιτύχετε τον καλύτερο δυνατό χρόνο λειτουργίας για τη χλοοκοπτική μηχανή σας:

- ◆ Να πηγαίνετε σιγά σε περιοχές όπου το γρασίδι είναι υπερβολικά υψηλό ή πυκνό.
- ◆ Να αποφεύγετε το κούρεμα του γκαζόν όταν είναι υγρό.
- ◆ Να κουρεύετε το γκαζόν συχνά, ειδικά κατά τη διάρκεια περιόδων υψηλής βλάστησης.

Συντήρηση

Αυτή η συσκευή/το εργαλείο ρεύματος/μπαταρίας της BLACK+DECKER έχει σχεδιαστεί έτσι ώστε να λειτουργεί για μεγάλο χρονικό διάστημα με την ελάχιστη δυνατή συντήρηση. Η αδιαιλεπτη και ικανοποιητική λειτουργία του εργαλείου/της συσκευής εξαρτάται από τη φροντίδα και τον τακτικό καθαρισμό του/της.

Ο φορτιστής σας δεν χρειάζεται καμία άλλη συντήρηση πέραν του τακτικού καθαρισμού.

Προειδοποίηση! Πριν πραγματοποιήσετε οποιαδήποτε συντήρηση σε ηλεκτρικά εργαλεία ρεύματος/μπαταρίας:

- ◆ Απενεργοποιήστε και αποσυνδέστε τη συσκευή/εργαλείο από την πρίζα.
- ◆ Ή χρησιμοποιήστε την μπαταρία μέχρι να αδειάσει εντελώς και στη συνέχεια απενεργοποιήστε.
- ◆ Αποσυνδέστε τον φορτιστή από την πρίζα πριν τον καθαρίσετε. Ο φορτιστής σας δεν χρειάζεται καμία άλλη συντήρηση πέραν του τακτικού καθαρισμού.
- ◆ Να καθαρίζετε τακτικά τα ανοίγματα αερισμού του εργαλείου/της συσκευής και του φορτιστή με μια μαλακή βούρτσα ή ένα στεγνό πανί.
- ◆ Καθαρίζετε τακτικά το περίβλημα του μοτέρ με ένα υγρό πανί. Μη χρησιμοποιείτε καθαριστικά που χαράζουν ή περιέχουν διαλύτες.
- ◆ Χρησιμοποιείτε τακτικά μια μη αιχμηρή ξύστρα για να αφαιρέσετε το γρασίδι και το χρώμα από το κάτω μέρος του προστατευτικού.

Αφαίρεση και τοποθέτηση της λεπίδας (εικ. S, T και U)

Προειδοποίηση! Μην αγγίζετε τη λεπίδα πριν αφαιρέσετε το κλειδί ασφαλείας και πριν ακινητοποιηθούν εντελώς οι λεπίδες.

- ◆ Ελευθερώστε την μπάρα λειτουργίας (2) για να απενεργοποιήσετε τη μηχανή, περιμένετε μέχρι να σταματήσει η λεπίδα και αφαιρέστε το κλειδί ασφαλείας (1).
- ◆ Κόψτε ένα κομμάτι ξύλου (διαστάσεων περίπου 50 mm x 100 mm x 600 mm) για να το χρησιμοποιήσετε για να εμποδίσετε την περιστροφή της λεπίδας ενώ αφαιρείτε το παξιμάδι φλάντζας (29).
- ◆ Γυρίστε τη μηχανή στο πλάι.

Προειδοποίηση! Να φοράτε πάντα γάντια και κατάλληλα προστατευτικά γυαλιά. Προσέχετε τις άκρες της λεπίδας διότι είναι κοφτερές.

- ♦ Τοποθετήστε το ξύλο (28) και αφαιρέστε το παξιμάδι φλάντζας (29) με ένα κλειδί 13 mm (εικ. S).
- ♦ Αφαιρέστε τη ροδέλα (30), τη λεπίδα (31), τον τετραγωνικό οδηγό λεπίδας (32) και τον ανεμιστήρα (33) (εικ. T). Ελέγχετε τον οδηγό λεπίδας (32) και τον ανεμιστήρα (33) για ζημιές και αντικαταστήστε εάν είναι χρειάζεται.

Όταν τοποθετείτε τη λεπίδα, βεβαιωθείτε ότι η πλευρά της λεπίδας (που υποδεικνύεται με βέλη σε κάθε άκρο) που κόβει το γρασιδί βλέπει το έδαφος όταν επαναφέρετε τη χλοοκοπτική μηχανή στην αρχική της όρθια θέση.

- ♦ Εγκαταστήστε τον ανεμιστήρα (33). Βεβαιωθείτε ότι τοποθετείτε τις λεπίδες του ανεμιστήρα (34) έτσι ώστε να είναι στραμμένες προς τη χλοοκοπτική μηχανή.
- ♦ Εγκαταστήστε τον οδηγό λεπίδας (32). Βεβαιωθείτε ότι τοποθετείτε τους πείρους σχήματος "D" (35) έτσι ώστε να είναι στραμμένοι, μακριά από τη χλοοκοπτική μηχανή.
- ♦ Βεβαιωθείτε ότι έχετε ευθυγραμμίσει τα επίπεδα τμήματα του ανεμιστήρα (33) και του οδηγού λεπίδας (32) με τα επίπεδα τμήματα του άξονα.
- ♦ Τοποθετήστε τη λεπίδα (31) στον οδηγό λεπίδας (32) με τα βέλη στραμμένα προς τα έξω.
- ♦ Τοποθετήστε το κομμάτι ξύλου (28) για να εμποδίζει την περιστροφή της λεπίδας (31) (εικ. U).
- ♦ Εγκαταστήστε τη ροδέλα (30) και το παξιμάδι φλάντζας (29) και στη συνέχεια σφίξτε με κλειδί 13mm.

Ακόνισμα λεπίδας (εικ. V)

Διατηρήστε τη λεπίδα κοφτερή για άριστη απόδοση. Μία εξασθενημένη λεπίδα δεν κόβει το γρασιδί καλά και δεν κουρεύει τα ξερά χορτάρια σωστά.

Προειδοποίηση! Βεβαιωθείτε πάντοτε ότι έχετε αφαιρέσει το κλειδί ασφαλείας.

Προειδοποίηση! Φορέστε κατάλληλα προστατευτικά γυαλιά ενώ βγάξετε, ακονίζετε και τοποθετείτε τη λεπίδα.

Το καθάρισμα της λεπίδας δύο φορές κατά τη διάρκεια της εποχής κουρέματος του γρασιδιού είναι συνήθως αρκετό υπό κανονικές συνθήκες. Το αμμώδες χώμα στομώνει τη λεπίδα γρήγορα. Εάν το γρασιδί σας έχει αμμώδες έδαφος απαιτείται συχνότερο ακόνισμα της λεπίδας.

- ♦ Να αντικαθιστάτε αμέσως λυγισμένες ή κατεστραμμένες λεπίδες.

Όταν ακονίζετε τη λεπίδα:

- ♦ Βεβαιωθείτε ότι η λεπίδα παραμένει ακίνητη.
- ♦ Ακονίζετε τη λεπίδα στην αρχική της γωνία κοπής.
- ♦ Ακονίζετε τις άκρες κοπής και από τις δύο πλευρές της λεπίδας, αφαιρώντας ίσες ποσότητες υλικού και από τα δύο άκρα.

Για να ακονίσετε μια λεπίδα σε μέγγενη (εικ. V)

- ♦ Απελευθερώστε την μπάρα λειτουργίας (2) για να απενεργοποιήσετε τη χλοοκοπτική μηχανή και περιμένετε

μέχρι να σταματήσει εντελώς η λεπίδα.

- ♦ Αφαιρέστε το κλειδί ασφαλείας (1) και το πακέτο μπαταριών (22) και γυρίστε τη χλοοκοπτική μηχανή στο πλάι.
- ♦ Αφαιρέστε τη λεπίδα (31) από τη μηχανή, δείτε τις οδηγίες για την αφαίρεση και τοποθέτηση των λεπίδων.

Προειδοποίηση! Φορέστε κατάλληλα προστατευτικά γυαλιά και γάντια και προσέξτε τις κοφτερές άκρες της λεπίδας.

- ♦ Βάλτε τη λεπίδα (31) σε μια μέγγενη.
- ♦ Λιμάρετε προσεκτικά τις κοφτερές άκρες της λεπίδας με μια οδοντωτή λίμα ή με πέτρα ακονίσματος, κρατώντας την αρχική άκρη κοπής.
- ♦ Ελέγξτε την ισορροπία της λεπίδας, δείτε τις οδηγίες για την ισορροπία της λεπίδας.
- ♦ Τοποθετήστε τη λεπίδα (31) στη μηχανή και σφίξτε γερά, δείτε τις οδηγίες για την αφαίρεση και τοποθέτηση των λεπίδων.

Ισορροπία της λεπίδας (εικ. W)

- ♦ Ελέγξτε τη ζυγοστάθμιση της λεπίδας τοποθετώντας στην κεντρική της οπή πάνω σε ένα καρφί ή σε ένα κατασαβίδι με στρογγυλό στέλεχος που έχει σφηνωθεί οριζόντια σε μέγγενη. Εάν το ένα άκρο της λεπίδας περιστρέφεται προς τα κάτω, λιμάρετε αυτό το άκρο μέχρι να ισορροπήσει η λεπίδα.

Λίπανση

Δεν απαιτείται λίπανση. Μη λιπαίνετε τους τροχούς. Έχουν πλαστικές επιφάνειες έδρασης οι οποίες δεν χρειάζονται λίπανση.

Καθαρισμός

- ♦ Απελευθερώστε την μπάρα λειτουργίας (2) για να απενεργοποιήσετε τη χλοοκοπτική μηχανή και περιμένετε μέχρι να σταματήσει εντελώς η λεπίδα.
- ♦ Αφαιρέστε το κλειδί ασφαλείας (1).
- ♦ Για τον καθαρισμό του μηχανήματος, χρησιμοποιείτε αποκλειστικά ήπιο απορρυπαντικό και ένα ελαφρά υγρό πανί.
- ♦ Χρησιμοποιήστε ένα μη αιχμηρό εργαλείο για να καθαρίσετε τυχόν κορυφές γρασιδιού που έχουν συσσωρευτεί στο κάτω μέρος της μηχανής.
- ♦ Μετά από αρκετές χρήσεις, ελέγξτε όλα τα εκτεθειμένα στοιχεία στερέωσης για καλή σύσφιξη.

Προστασία από τη διάβρωση

Λιπάσματα και άλλα χημικά κήπου περιέχουν στοιχεία που μπορούν να επιταχύνουν σε μεγάλο βαθμό τη διάβρωση των μετάλλων. Εάν κουρεύετε γρασιδί σε περιοχές όπου έχουν χρησιμοποιηθεί λιπάσματα ή χημικά, πρέπει να καθαρίζετε αμέσως μετά το χλοοκοπτική μηχανή ως ακολούθως:

- ♦ Απελευθερώστε την μπάρα λειτουργίας (2) για να απενεργοποιήσετε τη χλοοκοπτική μηχανή και περιμένετε

μέχρι να σταματήσει εντελώς η λεπίδα.

- ◆ Αφαιρέστε το κλειδί ασφαλείας (1).
- ◆ Σκουπίστε όλα τα εκτεθειμένα μέρη με ένα υγρό πανί.

Μεταφορά και αποθήκευση

Προειδοποίηση! Η περιστρεφόμενη λεπίδα μπορεί να προκαλέσει σοβαρό τραυματισμό.

Ελευθερώστε την μπάρα λειτουργίας για να απενεργοποιήσετε τα χλοοκοπτική μηχανή και αφαιρέστε το κλειδί ασφαλείας πριν ανυψώσετε, μεταφέρετε ή αποθηκεύσετε τη χλοοκοπτική μηχανή. Αποθηκεύστε σε δροσερό μέρος.

Σημείωση: Η μηχανή δεν θα είναι τόσο βαριά για να τη σηκώσετε αν έχετε αφαιρέσει πρώτα το πακέτο μπαταριών. Μη χρησιμοποιείτε την ασφάλεια ως μέσο ανύψωσης της χλοοκοπτικής μηχανής.

Φύλαξη

Σε θερμά κλίματα, για να εξασφαλίσετε άριστη απόδοση συνιστάται να παραμείνει η μπαταρία σε συνεχή φόρτιση. Μπορείτε να αποθηκεύσετε την μπαταρία με αποσυνδεδεμένο το φορτιστή εάν τηρούνται οι παρακάτω συνηχές.

- ◆ Η μπαταρία είναι πλήρως φορτισμένη πριν την αποθήκευση.
- ◆ Η μέση θερμοκρασία του χώρου αποθήκευσης είναι κάτω από τους 10 °C (50 °F).

Αντιμετώπιση προβλημάτων

Αν η συσκευή σας φαίνεται να μη λειτουργεί σωστά, ακολουθήστε τις παρακάτω οδηγίες. Αν αυτό δεν σας βοηθήσει να επιλύσετε το πρόβλημα, επικοινωνήστε με το πλησιέστερο κέντρο επισκευών της BLACK+DECKER.

Προειδοποίηση! Πριν συνεχίσετε, ελευθερώστε την μπάρα λειτουργίας για να απενεργοποιήσετε τη χλοοκοπτική μηχανή, περιμένετε να σταματήσει η λεπίδα και αφαιρέστε το κλειδί ασφαλείας.

Πρόβλημα	Πιθανή λύση
Η μηχανή δεν λειτουργεί.	Ελέγξτε ότι το κλειδί ασφαλείας έχει τοποθετηθεί και έχει εδράσει πλήρως και ότι το κουμπί μηχανισμού ασφάλισης έχει πατηθεί πλήρως, πριν μετακινήσετε τη λαβή λειτουργίας.
	Ελευθερώστε τη λαβή λειτουργίας για να απενεργοποιήσετε τη χλοοκοπτική μηχανή. Αφαιρέστε το κλειδί ασφαλείας και το πακέτο μπαταριών, γυρίστε τη χλοοκοπτική μηχανή ανάποδα και ελέγξτε ότι η λεπίδα μπορεί να περιστρέφεται ελεύθερα.
	Ελέγξτε ότι η υποδοχή της μπαταρίας δεν έχει υπολείμματα ρύπων και ότι η μπαταρία είναι εγκατεστημένη σωστά.
	Είναι η μπαταρία πλήρως φορτισμένη; Συνδέστε στο φορτιστή και περιμένετε μέχρι να ανάψει η πράσινη λυχνία

Πρόβλημα	Πιθανή λύση
Το μοτέρ σταματάει ενώ κούρευετε το γρασίδι.	Ελευθερώστε τη λαβή λειτουργίας για να απενεργοποιήσετε τη χλοοκοπτική μηχανή. Αφαιρέστε το κλειδί ασφαλείας και το πακέτο μπαταριών. Γυρίστε τη χλοοκοπτική μηχανή ανάποδα και ελέγξτε ότι η λεπίδα μπορεί να περιστρέφεται ελεύθερα.
	Αυξήστε το ύψος κοπής των τροχών στην πιο ψηλή θέση και θέστε σε λειτουργία τη χλοοκοπτική μηχανή.
	Ελέγξτε ότι ο χώρος της μπαταρίας δεν έχει υπολείμματα βρωμιάς και ότι η μπαταρία είναι συνδεδεμένη σωστά.
	Είναι η μπαταρία πλήρως φορτισμένη; Πίεστε το κουμπί κατάστασης φόρτισης.
	Αποφεύγετε την υπερφόρτωση της χλοοκοπτικής μηχανής. Χαμηλώστε το ρυθμό κοπής ή αυξήστε το ύψος της κοπής.
Η μηχανή δεν δίνει ομοιόμορφο αποτέλεσμα ή δυσκολεύεται ο κινητήρας	Είναι η μπαταρία πλήρως φορτισμένη; Πίεστε το κουμπί κατάστασης φόρτισης.
	Ελευθερώστε τη λαβή λειτουργίας για να απενεργοποιήσετε τη χλοοκοπτική μηχανή. Αφαιρέστε το κλειδί ασφαλείας και το πακέτο μπαταριών. Γυρίστε τη χλοοκοπτική μηχανή ανάποδα και ελέγξτε: <ul style="list-style-type: none"> ◆ Ότι η λεπίδα είναι κοφτερή - διατηρείτε τη λεπίδα κοφτερή. ◆ Το κάλυμμα και τη χοάνη εξαγωγής για τυχόν έμφραξη.
	Μπορεί το ύψος των τροχών να έχει ρυθμιστεί πολύ χαμηλά για την κατάσταση του γρασίδι. Αυξήστε το ύψος κοπής.
Είναι πολύ δύσκολο να απωρξάτε τη χλοοκοπτική μηχανή.	Ελευθερώστε τη λαβή λειτουργίας για να απενεργοποιήσετε τη χλοοκοπτική μηχανή. Αφαιρέστε το κλειδί ασφαλείας και το πακέτο μπαταριών. Αυξήστε το ύψος κοπής για να μειώσετε την αντίσταση τριβής του πατεδίου της μηχανής πάνω στο γρασίδι. Ελέγξτε τον κάθε τροχό εάν περιστρέφεται ελεύθερα
Η χλοοκοπτική μηχανή παράγει ασυνήθιστο θόρυβο και κραδασμούς.	Ελευθερώστε τη λαβή λειτουργίας για να απενεργοποιήσετε τη χλοοκοπτική μηχανή. Αφαιρέστε το κλειδί ασφαλείας και το πακέτο μπαταριών. Γυρίστε τη χλοοκοπτική μηχανή στο πλάι και ελέγξτε τη λεπίδα για να διασφαλίσετε ότι δεν έχει λυγίσει ή υποστεί ζημιά. Αν η λεπίδα έχει υποστεί ζημιά, αντικαταστήστε την με ανταλλακτική λεπίδα BLACK+DECKER. Εάν το κάτω μέρος του πατεδίου της χλοοκοπτικής μηχανής έχει υποστεί ζημιά, παραδώστε τη μηχανή σε εξουσιοδοτημένο κέντρο σέρβις BLACK+DECKER.
	Εάν δεν υπάρχει ορατή ζημιά στη λεπίδα και η χλοοκοπτική μηχανή ακόμη παρουσιάζει κραδασμούς: <ul style="list-style-type: none"> ◆ Ελευθερώστε τη λαβή λειτουργίας για να απενεργοποιήσετε τη χλοοκοπτική μηχανή. ◆ Αφαιρέστε το κλειδί ασφαλείας και το πακέτο μπαταριών. ◆ Αποσυναρμολογήστε ολόκληρο το συγκρότημα λεπίδας όπως περιγράφεται στην ενότητα "Αφαίρεση και εγκατάσταση της λεπίδας". ◆ Αφαιρέστε τυχόν υπολείμματα και καθαρίστε κάθε εξάρτημα. ◆ Επαναποθετίστε κάθε εξάρτημα όπως περιγράφεται στην ενότητα "Αφαίρεση και εγκατάσταση της λεπίδας".
	Αν η χλοοκοπτική μηχανή και πάλι παρουσιάζει κραδασμούς, παραδώστε την σε εξουσιοδοτημένο κέντρο σέρβις BLACK+DECKER.

Πρόβλημα	Πιθανή λύση
Η χλοοκοπτική μηχανή δεν συλλέγει το κομμένο γρασίδι με σάκο.	Φραγμένη χοάνη. Ελευθερώστε τη λαβή λειτουργίας για να απενεργοποιήσετε τη χλοοκοπτική μηχανή. Αφαιρέστε το κλειδί ασφαλείας και το πακέτο μπαταριών. Καθαρίστε τη χοάνη από τα κομμάτια γρασιδιού.
	Αυξήστε το ύψος κοπής των τροχών για να μειώσετε το μήκος κοπής.
	Σάκος πλήρης. Αδειάζετε το σάκο πιο συχνά.

Προστασία του περιβάλλοντος



Χωριστή συλλογή. Τα προϊόντα και οι μπαταρίες που επισημαίνονται με αυτό το σύμβολο δεν πρέπει να απορρίπτονται μαζί με τα κανονικά οικιακά απορρίμματα.

Εάν κάποια μέρα διαπιστώσετε ότι το προϊόν σας Black & Decker χρειάζεται αντικατάσταση ή ότι δεν το χρειάζεστε άλλο, μην το απορρίψετε μαζί με τα κοινά οικιακά απορρίμματα. Παραδώστε το προϊόν αυτό σε σημείο χωριστής συλλογής.

Η χωριστή συλλογή χρησιμοποιημένων προϊόντων και συσκευασιών επιτρέπει την ανακύκλωση και επαναχρησιμοποίηση των υλικών.

Η επαναχρησιμοποίηση ανακυκλωμένων υλικών συντελεί στην αποτροπή της ρύπανσης του περιβάλλοντος και μειώνει την απαίτηση για πρώτες ύλες.

Οι τοπικοί κανονισμοί μπορεί να προβλέπουν τη χωριστή συλλογή ηλεκτρικών προϊόντων από τα νοικοκυριά σε δημοτικές θέσεις συγκέντρωσης απορριμμάτων ή από το κατάστημα όπου αγοράσατε ένα νέο προϊόν.

Η Black & Decker δίνει τη δυνατότητα ανακύκλωσης των προϊόντων της που έχουν συμπληρώσει τη διάρκεια ζωής τους. Για να αξιοποιήσετε αυτήν την υπηρεσία, επιστρέψτε το προϊόν σας σε οποιονδήποτε εξουσιοδοτημένο αντιπρόσωπο επισκευών που θα τα συλλέξει για λογαριασμό μας.

Ενημερωθείτε για το πλησιέστερο εξουσιοδοτημένο κέντρο τεχνικής εξυπηρέτησης στην περιοχή σας, επικοινωνώντας με το τοπικό σας γραφείο της Black & Decker στη διεύθυνση που αναγράφεται στο παρόν εγχειρίδιο. Επίσης, μια λίστα με τους εξουσιοδοτημένους αντιπρόσωπους επισκευών Black & Decker και πλήρεις λεπτομέρειες για τις υπηρεσίες που παρέχονται μετά την πώληση, καθώς και στοιχεία επικοινωνίας υπάρχουν στο διαδίκτυο, στη διεύθυνση:

www.2helpU.com

Στο τέλος της ωφέλιμης διάρκειας ζωής τους, απορρίψτε τις μπαταρίες με τρόπο που σέβεται το περιβάλλον:

- ◆ Χρησιμοποιήστε την μπαταρία μέχρι να αδειάσει εντελώς και, στη συνέχεια, αφαιρέστε την από το εργαλείο.
- ◆ Οι μπαταρίες NiCd, NiMH και Li-Ion είναι ανακυκλώσιμες. Τοποθετήστε την(τις) μπαταρία(ες) σε κατάλληλη συσκευασία για να εξασφαλίσετε ότι οι ακροδέκτες δεν μπορούν να βραχυκυκλώσουν. Παραδώστε τις σε οποιονδήποτε εξουσιοδοτημένο αντιπρόσωπο επισκευών ή σε τοπικό σταθμό ανακύκλωσης.
- ◆ Μη βραχυκυκλώνετε τους ακροδέκτες της μπαταρίας.
- ◆ Μην απορρίπτετε την(τις) μπαταρία(ες) στη φωτιά, επειδή μπορεί να προκληθεί κίνδυνος προσωπικού τραυματισμού ή έκρηξη.

Τεχνικά χαρακτηριστικά

CLM3820		
Τάση εισόδου	V _{ac}	36 V
Ταχύτητα χωρίς φορτίο	min-1	3500
Βάρος	kg	16,2
Μπαταρία		BL2036
Τάση	V _{ac}	36 V
Χωρητικότητα	Ah	2
Τύπος		Ιόντων λιθίου
Φορτιστής		LCS36 τύπος 1
Τάση εισόδου	V _{ac}	230 V
Τάση εξόδου	V _{ac}	36 V
Ρεύμα	A	1300
Χρόνος φόρτισης περ.	ώρ.	1,0-2,0

Σταθμισμένη τιμή κραδασμών συστήματος χεριού/βραχίονα:
= < 2,5 m/s², αβεβαιότητα (K) = 1,5 m/s².

L_{wa} (ηχητική πίεση) 80 dB(A)
αβεβαιότητα (K) = 3 dB(A)

Περιοχή κοπής:

- ◆ Αυτή η χλοοκοπτική μηχανή μπορεί να κουρέψει έως και 300 m² γρασιδιού με ένα μόνο πακέτο μπαταριών 2 Ah.
- ◆ Αυτό το μέγεθος επιφάνειας (300 m²) επιτυγχάνεται με ένα μόνο, πλήρως φορτισμένο πακέτο μπαταριών 2 Ah σε ξηρές συνθήκες με το μοχλό ρύθμισης ύψους στη θέση 6 μετά από συνθήκες ελαφριάς ανάπτυξης.
- ◆ Σε υγρές συνθήκες, σε χαμηλότερες ρυθμίσεις ύψους ή σε συνθήκες έντονης ανάπτυξης, η επιφάνεια κοπής ενδέχεται να είναι μικρότερη των 300 m².

Δήλωση συμμόρφωσης EK
ΟΔΗΓΙΑ ΠΕΡΙ ΜΗΧΑΝΗΜΑΤΩΝ
ΟΔΗΓΙΑ ΓΙΑ ΘΟΡΥΒΟΥΣ ΣΕ ΕΞΩΤΕΡΙΚΟΥΣ ΧΩΡΟΥΣ



CLM3820 Χλοοκοπτική μηχανή
Η Black & Decker δηλώνει ότι τα προϊόντα αυτά που περιγράφονται στα "τεχνικά χαρακτηριστικά" συμμορφώνονται με τα ακόλουθα:
2006/42/EK, EN 60335-1:2012/A13:2017;

EN 60335-2-77:2010, EN 62233:2008
 2000/14/EK, Χλοοκοπτική μηχανή, L < 50cm, Παράρτημα VI,
 TÜV SÜD Industrie Service GmbH
 Westendstraße 199, 80686 München
 Χώρα: Γερμανία
 Αριθμός κοινοποιημένου φορέα: 0036
 LWA (μετρημένη ηχητική ισχύς) 92 dB(A),
 Αβεβαιότητα (K) = 2,25 dB(A),
 L_{WA} (εγγυημένη ηχητική ισχύς) 96 dB(A).

Αυτά τα προϊόντα συμμορφώνονται επίσης με την Οδηγία 2014/30/ΕΕ και 2011/65/ΕΕ. Για περισσότερες πληροφορίες, επικοινωνήστε με την Black & Decker στην παρακάτω διεύθυνση ή ανατρέξτε στο πίσω μέρος του εγχειριδίου.

Ο κάτωθι υπογεγραμμένος είναι υπεύθυνος για την κατάρτιση του τεχνικού φακέλου και δηλώνει τα παρόντα εκ μέρους της Black & Decker.

Patrick Diepenbach

Patrick Diepenbach
 Γενικός Διευθυντής, Μπενελούξ
 Black and Decker,
 Egide Walschaertsstraat 14-18
 2800 Mechelen, Belgium (Βέλγιο)
 2022.03.16

Εγγύηση

Η Black & Decker είναι σίγουρη για την ποιότητα των προϊόντων της και προσφέρει στους καταναλωτές εγγύηση 24 μηνών από την ημερομηνία αγοράς. Αυτή η εγγύηση συμπληρώνει και με κανένα τρόπο δεν παραβλάπτει τα νόμιμα δικαιώματά σας. Η εγγύηση ισχύει εντός της επικράτειας των χωρών μελών της Ευρωπαϊκής Ένωσης και της Ευρωπαϊκής Ζώνης Ελεύθερων Συναλλαγών. Για να υποβάλετε αξίωση βάσει της εγγύησης, η αξίωση θα πρέπει να είναι σύμφωνη με τους Όρους και Προϋποθέσεις της Black&Decker και θα χρειαστεί να υποβάλετε απόδειξη αγοράς στον πωλητή ή σε εξουσιοδοτημένο αντιπρόσωπο σέρβις. Μπορείτε να αποκτήσετε τους Όρους και προϋποθέσεις της εγγύησης 2 ετών της Black&Decker και να μάθετε την τοποθεσία του πλησιέστερου εξουσιοδοτημένου αντιπροσώπου επισκευών στο Internet στο www.2helpu.com, ή επικοινωνώντας με το τοπικό σας γραφείο Black & Decker στη διεύθυνση που υποδεικνύεται στο παρόν εγχειρίδιο.

Παρακαλούμε επισκεφθείτε την ιστοσελίδα μας www.blackanddecker.gr για να καταχωρίσετε το νέο σας προϊόν Black & Decker και για να ενημερώνεστε για τα νέα προϊόντα και τις ειδικές προσφορές.

België/Belgique/Luxembourg www.blackanddecker.be enduser.be@sbdinc.com	Stanley Black & Decker Belgium BVBA Egide Walschaertsstraat 16 2800 Mechelen	Tel. NL +32 15 47 37 65 Tel. FR +32 15 47 37 66 Fax. +32 15 47 37 99
Danmark	Black & Decker Roskildevej 22 2620 Albertslund	kundeservice.dk@sbdinc.com www.blackanddecker.dk
Deutschland www.blackanddecker.de infobdgc@sbdinc.com	Stanley Black & Decker Deutschland GmbH Black & Decker Str. 40, D - 65510 Idstein	Tel. 06126 21-0 Fax 06126 21-2980
Ελλάδα www.blackanddecker.gr greece.service@sbdinc.com	Stanley Black & Decker (ΕΛΛΑΣ) Ε.Π.Ε ΓΡΑΦΕΙΑ: Σπυρίδωνος 7 & Βουλιαγμένης 166 74 Γλυφάδα - Αθήνα	Τηλ. 210-8981616 Φαξ 210-8983570
SERVICE:	Ημερος Τόπος 2 -Χάνι Αδάμ 193 00 Ασπρόπυργος - Αθήνα	Τηλ. Service 210-8985208 Φαξ 210-5597598
España www.blackanddecker.es respuesta.posventa@sbdinc.com	Stanley Black & Decker Ibérica, S.C.A. Parc de Negocis "Mas Blau" Edificio Muntadas, c/Bergadá, 1, Of. A6 08820 El Prat de Llobregat (Barcelona)	Tel. 934 797 400 Fax 934 797 419
France www.blackanddecker.fr	Black & Decker (France) S.A.S. 5 allée des Hêtres B.P. 30084 69579 Limonest Cédex	Tel. 04 72 20 39 20 Fax 04 72 20 39 00
Helvetia www.blackanddecker.ch service@rofoag.ch	ROFO AG Gewerbezone Seeblick 3213 Kleinbödingen	Tel. 026-6749393 Fax 026-6749394
Italia www.blackanddecker.it service.italia@sbdinc.com	Stanley Black & Decker Italia Via Energypark 6 20871 Vimercate (MB)	Tel. 039-9590200 Fax 039-9590313 Numero verde 800-213935
Nederland www.blackanddecker.nl enduser.nl@sbdinc.com	Stanley Black & Decker Netherlands BV Holtum Noordweg 35, 6121 RE BORN Postbus 83, 6120 AB BORN	Tel. +31 164 283 065 Fax +31 164 283 200
Norge	Black & Decker Postboks 4613, Nydalen 0405 Oslo	kundeservice.no@sbdinc.com www.blackanddecker.no
Österreich www.blackanddecker.at service.austria@sbdinc.com	Stanley Black & Decker Austria GmbH Oberlaaerstraße 248, A-1230 Wien	Tel. 01 66116-0 Fax 01 66116-614
Portugal www.blackanddecker.pt resposta.posventa@sbdinc.com	Black & Decker Limited SARL Quinta da Fonte - Edifício Q55 D. Diniz Rua dos Malhões, 2 e 2A - Piso 2 Esquerdo 2770 - 071 Paço de Arcos	Tel. 214667500 Fax 214667580
Suomi	Black & Decker PL47 00521, Helsinki	asiakaspalvelu.fi@sbdinc.com www.blackanddecker.fi
Sverige	Black & Decker AB Box 94, 431 22 Mölndal	kundservice.se@sbdinc.com www.blackanddecker.se
Türkiye www.blackanddecker.com.tr	KALE Hırdavat ve Makina A.Ş. Defferdar Mah. Savaklar Cad. No:15 Edirnekapı / Eyüp / İstanbul 34050	Tel. 0212 533 52 55 Fax. 0212 533 10 05
United Kingdom & Republic Of Ireland www.blackanddecker.co.uk emeaservice@sbdinc.com	Black & Decker 270 Bath Road Slough, Berkshire SL1 4DX	Tel. 01753 511234 Fax 01753 512365
Middle East & Africa www.blackanddecker.ae service.mea@sbdinc.com	Black & Decker P.O.Box - 17164 Jebel Ali Free Zone (South), Dubai, UAE	Tel. +971 4 8863030 Fax +971 4 8863333