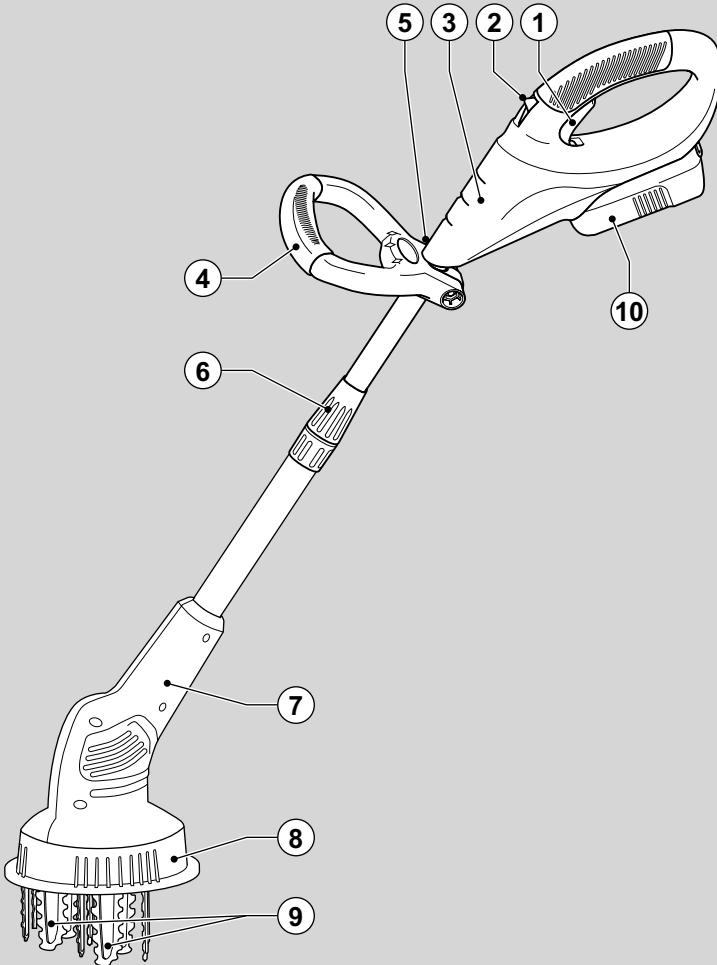




BLACK & DECKER®

www.blackanddecker.co.uk

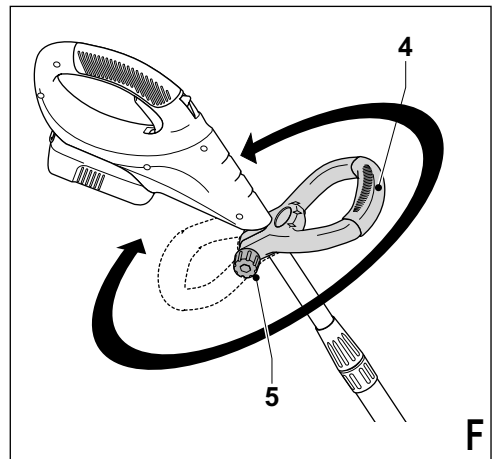
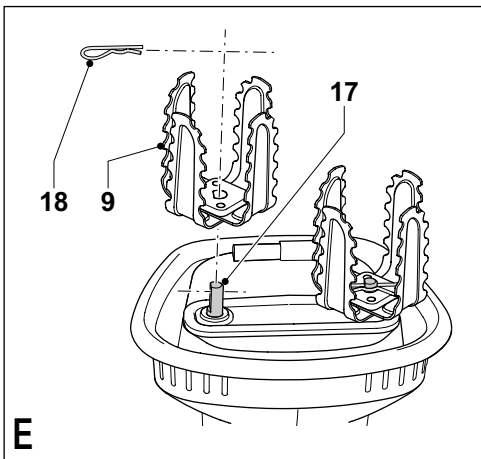
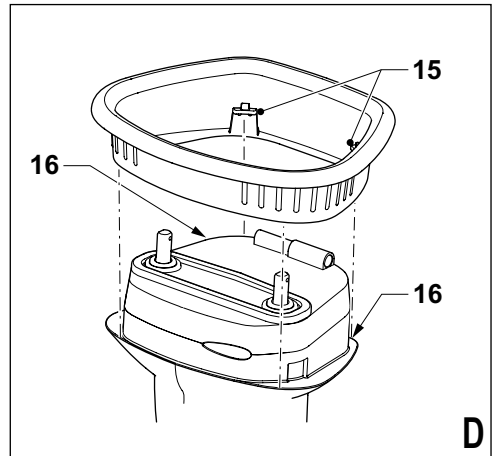
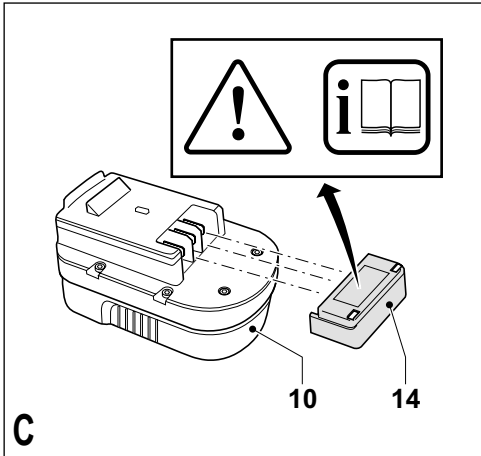
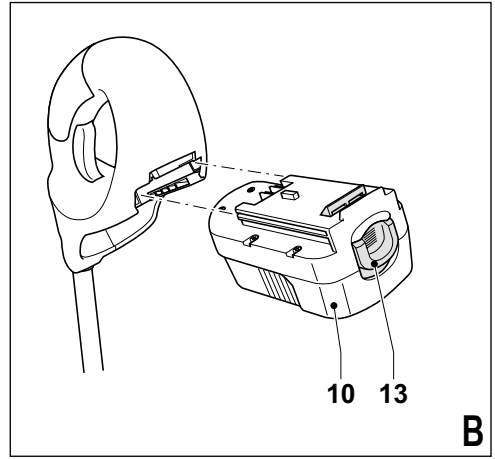
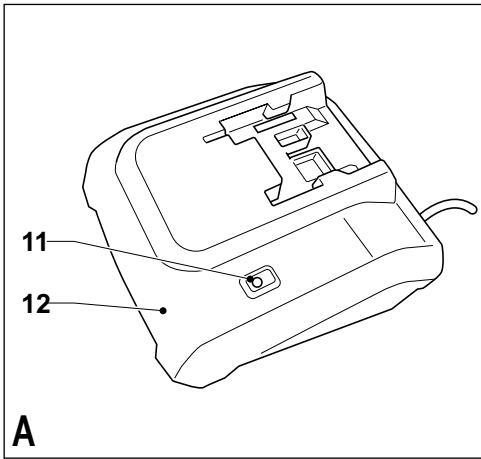


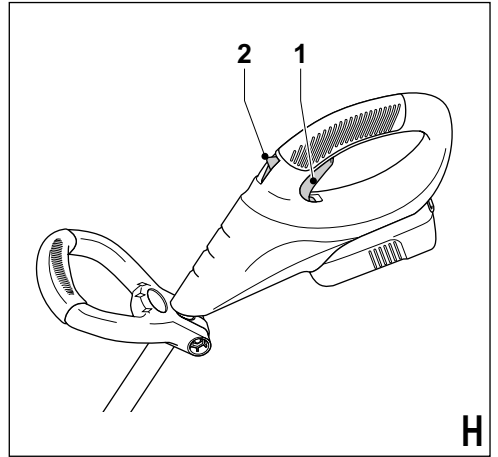
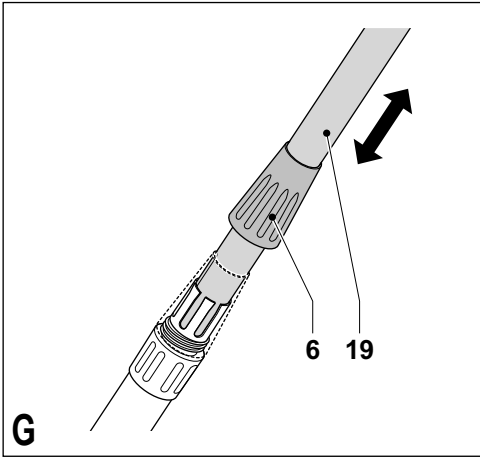
UK

Ireland

Australia

New Zealand





Intended use

Your Black & Decker cultivator has been designed for light cultivation of garden beds. This tool is intended for consumer use only.

Your Black & Decker charger has been designed for charging Black & Decker batteries of the type supplied with this tool.

Safety instructions

General power tool safety warnings



Warning! Read all safety warnings and all instructions. Failure to follow the warnings and instructions listed below may result in electric shock, fire and/or serious injury.

Save all warnings and instructions for future reference.

The term "power tool" in all of the warnings listed below refers to your mains operated (corded) power tool or battery operated (cordless) power tool.

1. **Work area safety**
 - a. **Keep work area clean and well lit.** Cluttered or dark areas invite accidents.
 - b. **Do not operate power tools in explosive atmospheres, such as in the presence of flammable liquids, gases or dust.** Power tools create sparks which may ignite the dust or fumes.
 - c. **Keep children and bystanders away while operating a power tool.** Distractions can cause you to lose control.
2. **Electrical safety**
 - a. **Power tool plugs must match the outlet. Never modify the plug in any way. Do not use any adapter plugs with earthed (grounded) power tools.** Unmodified plugs and matching outlets will reduce risk of electric shock.
 - b. **Avoid body contact with earthed or grounded surfaces such as pipes, radiators, ranges and refrigerators.** There is an increased risk of electric shock if your body is earthed or grounded.
 - c. **Do not expose power tools to rain or wet conditions.** Water entering a power tool will increase the risk of electric shock.
 - d. **Do not abuse the cord. Never use the cord for carrying, pulling or unplugging the power tool. Keep cord away from heat, oil, sharp edges or moving parts.** Damaged or entangled cords increase the risk of electric shock.
 - e. **When operating a power tool outdoors, use an extension cord suitable for outdoor use.** Use of a cord suitable for outdoor use reduces the risk of electric shock.
 - f. **If operating a power tool in a damp location is unavoidable, use a residual current device (RCD) protected supply.** Use of an RCD reduces the risk of electric shock.
3. **Personal safety**
 - a. **Stay alert, watch what you are doing and use common sense when operating a power tool. Do not use a power tool while you are tired or under the influence of drugs, alcohol or medication.** A moment of inattention while operating power tools may result in serious personal injury.
 - b. **Use personal protective equipment. Always wear eye protection.** Protective equipment such as dust mask, non-skid safety shoes, hard hat, or hearing protection used for appropriate conditions will reduce personal injuries.
 - c. **Prevent unintentional starting. Ensure the switch is in the off-position before connecting to power source and/or battery pack, picking up or carrying the tool.** Carrying power tools with your finger on the switch or energising power tools that have the switch on invites accidents.
 - d. **Remove any adjusting key or wrench before turning the power tool on.** A wrench or a key left attached to a rotating part of the power tool may result in personal injury.
 - e. **Do not overreach. Keep proper footing and balance at all times.** This enables better control of the power tool in unexpected situations.
 - f. **Dress properly. Do not wear loose clothing or jewellery. Keep your hair, clothing and gloves away from moving parts.** Loose clothes, jewellery or long hair can be caught in moving parts.
 - g. **If devices are provided for the connection of dust extraction and collection facilities, ensure these are connected and properly used.** Use of dust collection can reduce dust-related hazards.
4. **Power tool use and care**
 - a. **Do not force the power tool. Use the correct power tool for your application.** The correct power tool will do the job better and safer at the rate for which it was designed.
 - b. **Do not use the power tool if the switch does not turn it on and off.** Any power tool that cannot be controlled with the switch is dangerous and must be repaired.
 - c. **Disconnect the plug from the power source and/or the battery pack from the power tool before making any adjustments, changing accessories, or storing power tools.** Such preventive safety measures reduce the risk of starting the power tool accidentally.
 - d. **Store idle power tools out of the reach of children and do not allow persons unfamiliar with the power tool or these instructions to operate the power tool.** Power tools are dangerous in the hands of untrained users.

- e. **Maintain power tools. Check for misalignment or binding of moving parts, breakage of parts and any other condition that may affect the power tools operation. If damaged, have the power tool repaired before use.** Many accidents are caused by poorly maintained power tools.
- f. **Keep cutting tools sharp and clean.** Properly maintained cutting tools with sharp cutting edges are less likely to bind and are easier to control.
- g. **Use the power tool, accessories and tool bits etc. in accordance with these instructions, taking into account the working conditions and the work to be performed.** Use of the power tool for operations different from those intended could result in a hazardous situation.

5. Battery tool use and care

- a. **Recharge only with the charger specified by the manufacturer.** A charger that is suitable for one type of battery pack may create a risk of fire when used with another battery pack.
- b. **Use power tools only with specifically designated battery packs.** Use of any other battery packs may create a risk of injury and fire.
- c. **When battery pack is not in use, keep it away from other metal objects, like paper clips, coins, keys, nails, screws, or other small metal objects, that can make a connection from one terminal to another.** Shorting the battery terminals together may cause burns or a fire.
- d. **Under abusive conditions, liquid may be ejected from the battery; avoid contact. If contact accidentally occurs, flush with water. If liquid contacts eyes, additionally seek medical help.** Liquid ejected from the battery may cause irritation or burns.

6. Service

- a. **Have your power tool serviced by a qualified repair person using only identical replacement parts.** This will ensure that the safety of the power tool is maintained.

Additional safety instructions

The intended use is described in this instruction manual. Do not force small tools or attachments to do the job of a heavy-duty tool. The tool will do the job better and safer at the rate for which it was intended. Do not force the tool. Do not use the tool for purposes not intended, for example, do not use a circular saw to cut tree limbs or logs.

Warning! The use of any accessory or attachment or performance of any operation with this tool other than those recommended in this instruction manual may present a risk of personal injury.

Before use, carefully check the tool and mains cable for damage. Check for misalignment and seizure of moving parts, breakage of parts, damage to guards and switches and any other conditions that may affect its operation. Ensure that the tool will operate properly and perform its intended function. Do not use the tool if any part is damaged or defective. Do not use the tool if the switch does not turn it on and off. Have any damaged or defective parts repaired or replaced by an authorised repair agent. Never attempt any repairs yourself.

Warning symbols

The following warning symbols are found on the tool:



Read the instruction manual before use.



Do not use the tool in wet conditions or expose it to rain.



Wear safety glasses or goggles when operating this tool.



Use a face or dust mask whenever the operations take place in dusty surroundings.



Do not incinerate the battery.



Keep people and animals at least 6 m away from the cutting area.

Additional safety instructions for batteries and chargers

Batteries

- ◆ Never attempt to open for any reason.
- ◆ Do not expose the battery to water.
- ◆ Do not expose the battery to heat.
- ◆ Do not store in locations where the temperature may exceed 40 °C.
- ◆ Charge only at ambient temperatures between 10 °C and 40 °C.
- ◆ Charge only using the charger provided with the tool.
- ◆ When disposing of batteries, follow the instructions given in the section "Protecting the environment".
- ◆ Do not damage or deform the battery either by puncture or impact, as this can create a risk of injury and fire.
- ◆ Do not charge damaged batteries.

Chargers

Warning! Your charger has been designed for a specific voltage. Always check that the mains voltage corresponds to the voltage on the rating plate.

- ◆ Use your Black & Decker charger only to charge the battery in the tool with which it was supplied. Other batteries could burst, causing personal injury and damage.
- ◆ Never attempt to charge non-rechargeable batteries.
- ◆ If the supply cord is damaged, it must be replaced by the manufacturer or an authorised Black & Decker Service Centre in order to avoid hazard.
- ◆ Do not expose the charger to water.
- ◆ Do not open the charger.
- ◆ Do not probe the charger.

The following symbols are found on your charger:



The charger is intended for indoor use only.



Read the instruction manual before use.



Charge only at ambient temperatures between 10 °C and 40 °C.

Electrical safety



Your charger is double insulated; therefore no earth wire is required. Always check that the mains voltage corresponds to the voltage on the rating plate. Never attempt to replace the charger unit with a regular mains plug.

- ◆ If the supply cord is damaged, it must be replaced by the manufacturer or an authorised Black & Decker Service Centre in order to avoid a hazard.

Features

1. On/off switch
2. Lock-off button
3. Main handle
4. Secondary handle
5. Handle knob
6. Handle adjustment collar
7. Motor housing
8. Shroud
9. Tine assembly
10. Battery

Fig. A

11. Charger
12. Charging indicator

Assembly

Warning! Before assembly, remove the battery from the tool.

Fitting and removing the battery (fig. B)

- ◆ To fit the battery (10), line it up with the receptacle on the tool. Slide the battery into the receptacle and push until the battery snaps into place.
- ◆ To remove the battery, push the release button (13) while at the same time pulling the battery out of the receptacle.

Fitting the battery cap (fig. C)

Warning! Fit the cap (14) to the battery (10) for transportation and storage.

Fitting the shroud (fig. D)

Warning! Never operate the tool with a damaged shroud or without the shroud in place.

- ◆ Place the shroud (9) onto the tool as shown, aligning the tabs (15) with the lugs (16) on the tool.
- ◆ Press the shroud until it snaps into place.
- ◆ Check that the shroud is fitted correctly.

Warning! Never use the tool unless the shroud is properly fitted.

Fitting the tines (fig. E)

- ◆ Place the first tine (9) onto the shaft (17).
- ◆ Insert the pin (18) into hole in the shaft.
- ◆ Push the pin firmly until it clicks into place.
- ◆ Repeat as for the other tine.

Use

Warning! Let the tool work at its own pace. Do not overload.

Charging the battery (fig. A)

Warning! Do not charge the battery at ambient temperatures below 10 °C or above 40 °C. Recommended charging temperature: approx. 24 °C.

Note: The charger will not charge a battery if the cell temperature is below approximately 0 °C or above 60 °C. The battery should be left in the charger and the charger will begin to charge automatically when the cell temperature warms up or cools down.

- ◆ Plug in the charger (11) and switch on at the mains.
- ◆ Insert the battery (10) into the charger. Make sure that the battery is fully seated in the charger (11).

The charging indicator (12) will flash continuously (slowly). The charge is complete when the charging indicator (12) lights continuously. The charger and the battery can be left connected indefinitely with the LED illuminated. The LED will change to flashing (charging) state as the charger occasionally tops off the battery charge.

The charging indicator (12) will be lit as long as the battery is connected to the plugged-in charger.

- ◆ Charge discharged batteries within 1 week. Battery life will be greatly diminished if stored in a discharged state.

Charging indicators

If the charger detects a problem with the battery, the charging indicator (12) will flash at a fast rate. Proceed as follows:

- ◆ Re-insert the battery (10).
- ◆ If the charging indicators continues flashing at a fast rate, use a different battery to determine if the charging process works properly.
- ◆ If the replaced battery charges correctly, the original battery is defective and should be returned to a service centre for recycling.
- ◆ If the new battery gives the same indication as the original battery, take the charger to be tested at an authorised services centre.

Note: It may take as long as 15 minutes to determine that the battery is defective. If the battery is too hot or too cold, the LED will alternately blink fast and slow, one flash at each speed and repeat.

Adjusting the position of the secondary handle (fig. F)

The secondary handle (4) can be adjusted to provide optimum balance and comfort.

- ◆ Let the shroud (9) rest on the ground.
- ◆ Slacken the handle knob (5).
- ◆ Move the handle into the desired position.
- ◆ Securely tighten the handle knob.

Adjusting the height (fig. G)

The telescopic shaft (19) allows you to set the tool to a comfortable height.

- ◆ Loosen the collar (6).
- ◆ To increase the height, slide the shaft out.
- ◆ To reduce the height, slide the shaft in.
- ◆ Tighten the collar.

Switching on and off (fig. H)

For your safety, this tool is equipped with a double switching system. This system prevents starting the tool inadvertently.

Switching on

- ◆ Push the lock-off button (2) backward using your thumb and at the same time squeeze the on/off switch (1).
- ◆ Release the lock-off button.

Switching off

- ◆ Release the on/off switch (1).

Warning! Never attempt to lock a switch in the on position.

Hints for optimum use

- ◆ Hold the tool as shown in fig. I.
- ◆ If the tool starts running slowly, reduce the load.
- ◆ For the first cultivating each season, move slowly because dirt is packed down. Subsequent cultivating will be completed more rapidly.
- ◆ In order to achieve optimum results, only cultivate dry soil.
- ◆ If the tines become clogged, immediately switch off the tool. Refer to the maintenance instructions to unclog the tines. To continue operating the tool in a clogged condition will damage the tool.
- ◆ If possible, keep the battery connected to the charger and the charger plugged in whenever the tool is not in use.

Maintenance

Your Black & Decker tool has been designed to operate over a long period of time with a minimum of maintenance. Continuous satisfactory operation depends upon proper tool care and regular cleaning.

Your charger does not require any maintenance apart from regular cleaning.

Warning! Before performing any maintenance on the tool, remove the battery from the tool. Unplug the charger before cleaning it.

- ◆ Regularly clean the ventilation slots in your tool and charger using a soft brush or dry cloth.
- ◆ Regularly clean the motor housing using a damp cloth. Do not use any abrasive or solvent-based cleaner.
- ◆ Regularly use a blunt scraper to remove grass and dirt from the underneath of the shroud.
- ◆ Make sure all switches are free of debris before and after use.

Warning! Do not immerse tool in water or spray it with a hose.

During use

- ◆ Remove clogged material from the tines with a stick or scraper.

Warning! Do not attempt to unclog the tines by dropping or tapping the tool on the ground. Wear gloves when cleaning tines.

After use and before storage

- ◆ After use, carefully clean the tines. After cleaning, apply a film of light machine oil to prevent the tines from rusting.

Note: Fertilizers and other garden chemicals contain agents that greatly accelerate the corrosion of metals. If you use the tool in areas where fertilizers or chemicals have been used, the tool should be cleaned immediately afterwards.

Warning! Wear proper gloves and eye protection when cleaning tool.

Storage

When the tool will not be used for several months, ideally leave the battery connected to the charger.

Warning! Do not hang the tool on the switch trigger.

Otherwise proceed as follows:

- ◆ Fully charge the battery.
- ◆ Remove the battery from the tool.
- ◆ Store the tool and battery in a secure and dry location. The storage temperature must always remain in the range of +5 °C to +40 °C. Place the battery on a level surface.
- ◆ Before using the tool after prolonged storage, fully charge the battery again.

Note: Do not store the tool on or adjacent to fertilizers or chemicals. Such storage can cause rapid corrosion.

Troubleshooting

If the tool does not operate correctly, check the following.

Fault	Possible cause	Action
Tool will not start.	Battery not installed properly.	Check the battery installation.
	Battery discharged.	Fit a (fully) charged battery.
	Lock-off button not actuated.	Observe the starting procedure.
	Pole connections not properly tightened.	Check the connections.
Battery will not charge.	Battery not installed properly.	Check the battery installation.

Protecting the environment



Separate collection. This product must not be disposed of with normal household waste.

Should you find one day that your Black & Decker product needs replacement, or if it is of no further use to you, do not dispose of it with household waste. Make this product available for separate collection.



Separate collection of used products and packaging allows materials to be recycled and used again. Re-use of recycled materials helps prevent environmental pollution and reduces the demand for raw materials.

Local regulations may provide for separate collection of electrical products from the household, at municipal waste sites or by the retailer when you purchase a new product.

Black & Decker provides a facility for the collection and recycling of Black & Decker products once they have reached the end of their working life. To take advantage of this service please return your product to any authorised repair agent who will collect them on our behalf.

You can check the location of your nearest authorised repair agent by contacting your local Black & Decker office at the address indicated in this manual. Alternatively, a list of authorised Black & Decker repair agents and full details of our after-sales service and contacts are available on the Internet at: www.2helpU.com

Batteries



Black & Decker batteries can be recharged many times. At the end of their useful life, discard batteries with due care for our environment:

- ◆ Run the battery down completely, then remove it from the tool.
- ◆ NiCd, NiMH and Li-Ion batteries are recyclable. Take them to any authorised repair agent or a local recycling station.
- ◆ Place the battery in a suitable packaging to ensure that the terminals cannot be short-circuited.

Technical data

	GXC1000L	
Voltage	V _{DC}	18
Number of strokes (no load)	min ⁻¹	331
Weight	kg	3.25

Battery	A1518L	
Voltage	V _{DC}	18
Capacity	Ah	1.5
Weight	kg	0.8

Charger

Input voltage	V _{AC}	230
Approx. charging time	h	1
Weight	kg	0.5

EC declaration of conformity

GXC1000L H1

Black & Decker declares that these products conform to:
98/37/EC, 2000/14/EC, 2006/95/EC, EN 60745, EN 60335

Level of sound pressure, measured according to 2000/14/EC:

L_{pA} (sound pressure) 82 dB(A)

L_{WA} (acoustic power) 93 dB(A)

L_{WA} (guaranteed) 95 dB(A)

Hand/arm weighted vibration value according
to EN 50144: < 2.5 m/s²

The undersigned is responsible for compilation of the technical file and makes this declaration on behalf of Black & Decker.



Kevin Hewitt
Director of Consumer Engineering
Spennymoor, County Durham DL16 6JG,
United Kingdom
23-03-2009

Guarantee

Black & Decker is confident of the quality of its products and offers an outstanding guarantee. This guarantee statement is in addition to and in no way prejudices your statutory rights. The guarantee is valid within the territories of the Member States of the European Union and the European Free Trade Area.

If a Black & Decker product becomes defective due to faulty materials, workmanship or lack of conformity, within 24 months from the date of purchase, Black & Decker guarantees to replace defective parts, repair products subjected to fair wear and tear or replace such products to ensure minimum inconvenience to the customer unless:

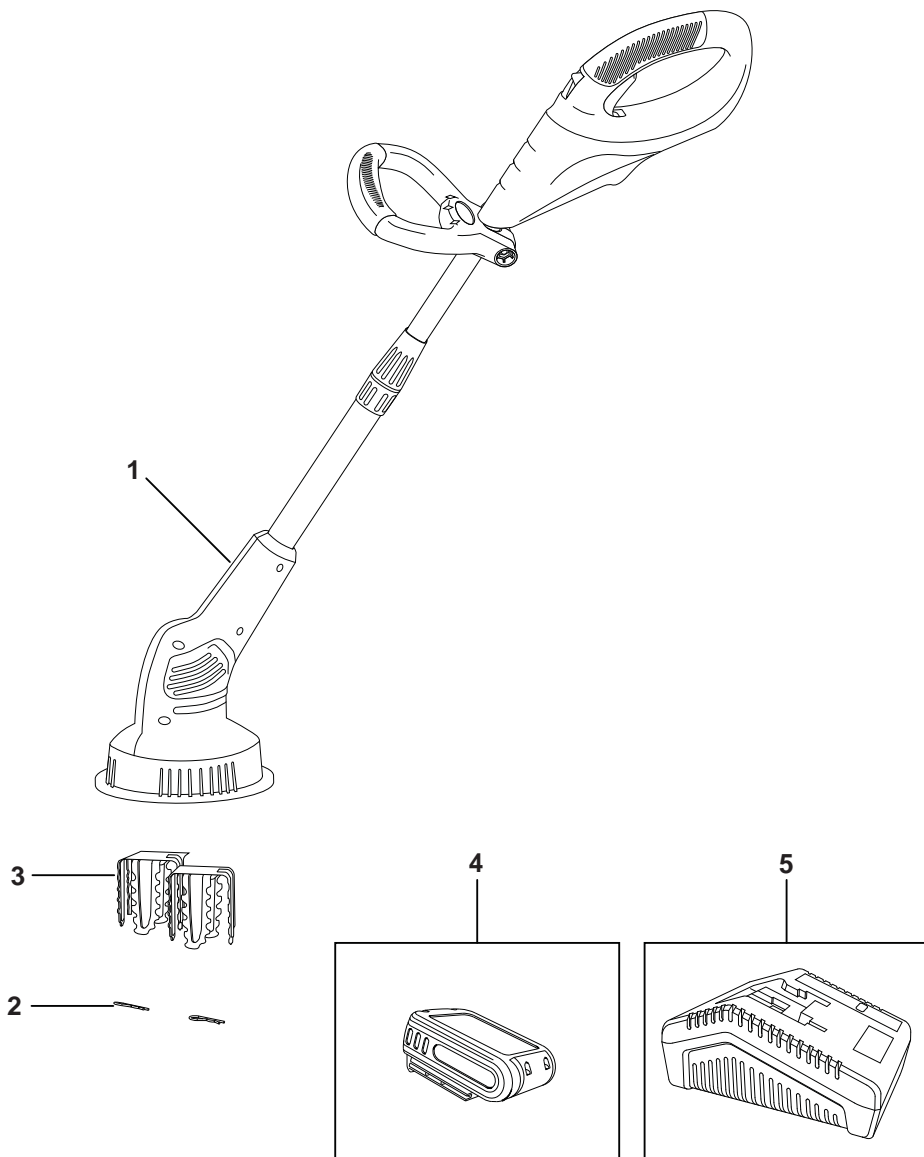
- ◆ The product has been used for trade, professional or hire purposes;
- ◆ The product has been subjected to misuse or neglect;
- ◆ The product has sustained damage through foreign objects, substances or accidents;
- ◆ Repairs have been attempted by persons other than authorised repair agents or Black & Decker service staff.

To claim on the guarantee, you will need to submit proof of purchase to the seller or an authorised repair agent. You can check the location of your nearest authorised repair agent by contacting your local Black & Decker office at the address indicated in this manual. Alternatively, a list of authorised Black & Decker repair agents and full details of our after-sales service and contacts are available on the Internet at:

www.2helpU.com

Please visit our website www.blackanddecker.co.uk to register your new Black & Decker product and to be kept up to date on new products and special offers. Further information on the Black & Decker brand and our range of products is available at www.blackanddecker.co.uk

Partial support - Only parts shown available
Nur die aufgefuehrten teile sind lieferbar
Reparation partielle - Seules les pieces indiquees sont disponibles
Supporto parziale - Sono disponibili soltanto le parti evidenziate
Solo estan disponibles las peizas listadas
So se encontram disponiveis as pecas listadas
Gedeeltelijke ondersteuning - alleen de getoonde onderdelen
zijn beschikbaar



ENGLISH

Do not forget to register your product!

www.blackanddecker.co.uk/productregistration

Register your product online at **www.blackanddecker.co.uk/productregistration** or send your name, surname and product code to Black & Decker in your country.

Australia

Black & Decker (Australia) Pty. Ltd.
20 Fletcher Road, Mooroolbark,
Victoria, 3138

Tel. 03-8720 5100
Fax 03-9727 5940

New Zealand

Black & Decker
5 Te Apunga Place
Mt Wellington
Auckland 1060

Tel. +64 9 259 1133
Fax +64 9 259 1122

United Kingdom

Black & Decker
210 Bath Road
Slough, Berkshire SL1 3YD

Tel. 01753 511234
Fax 01753 551155
Helpline 01753 574277