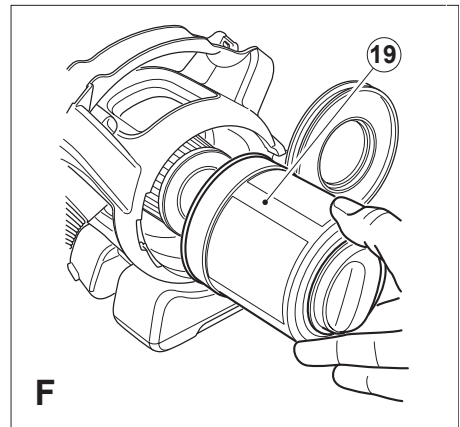
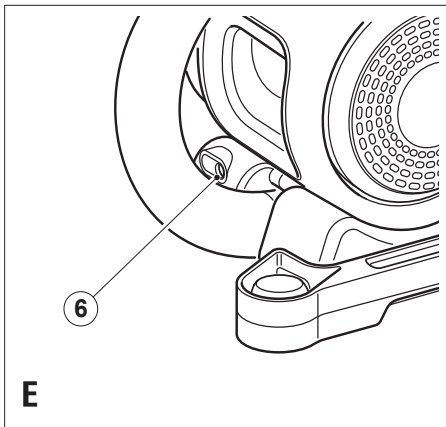
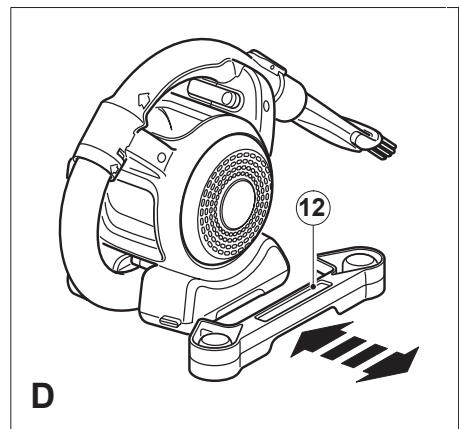
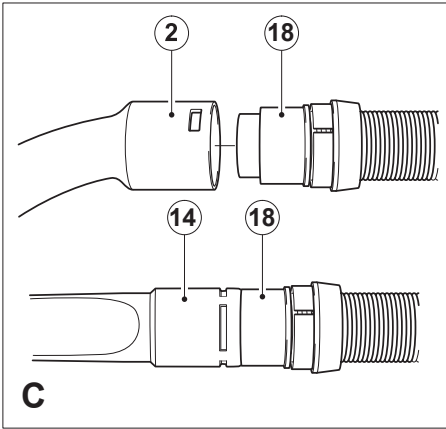
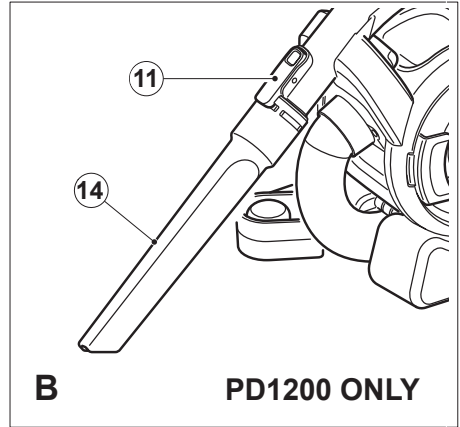
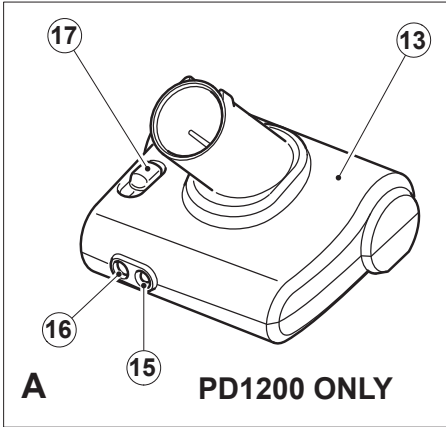


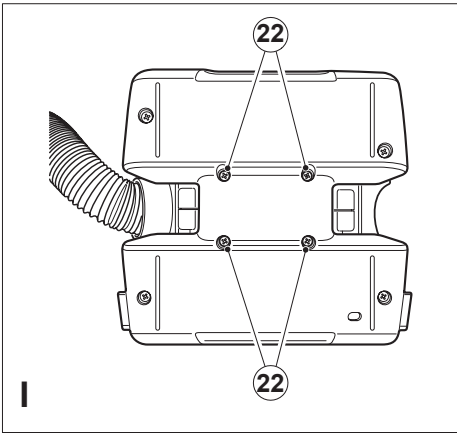
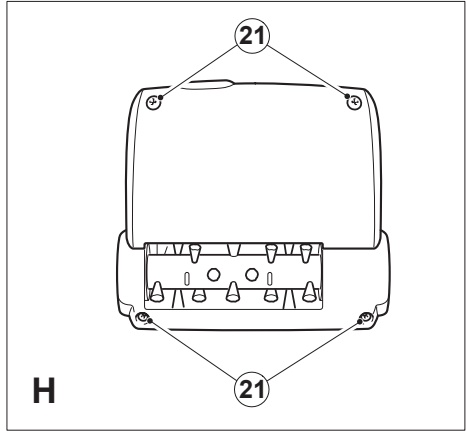
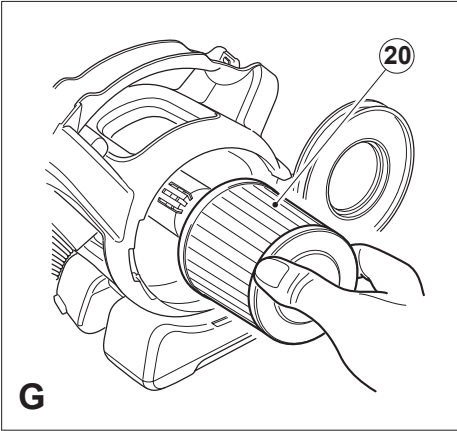
UK

Ireland

Australia

New Zealand





Intended use

Your Black & Decker Dustbuster Flexi™ vacuum cleaner has been designed for dry vacuum cleaning purposes. This appliance is intended for household use only.

Safety instructions

Warning! When using battery-powered appliances, basic safety precautions, including the following, should always be followed to reduce the risk of fire, leaking batteries, personal injury and material damage.

- ◆ Read all of this manual carefully before using the appliance.
- ◆ The intended use is described in this manual. The use of any accessory or attachment or the performance of any operation with this appliance other than those recommended in this instruction manual may present a risk of personal injury.
- ◆ Retain this manual for future reference.

Using your appliance

- ◆ Do not use near water.
- ◆ Do not use the appliance to pick up liquids or any materials that could catch fire.
- ◆ Do not immerse the appliance in water.
- ◆ Never pull the charger lead to disconnect the charger from the socket. Keep the charger lead away from heat, oil and sharp edges.
- ◆ This tool is not intended for use by persons (including children) with reduced physical, sensory or mental capabilities, or lack of experience and knowledge, unless they have been given supervision or instruction concerning use of the appliance by a person responsible for their safety. Children should be supervised to ensure that they do not play with the appliance.

After use

- ◆ Unplug the charger before cleaning the charger or charging base.
- ◆ When not in use, the appliance should be stored in a dry place.
- ◆ Children should not have access to stored appliances.

Inspection and repairs

- ◆ Before use, check the appliance for damaged or defective parts. Check for breakage of parts, damage to switches and any other conditions that may affect its operation.
- ◆ Do not use the appliance if any part is damaged or defective.
- ◆ Have any damaged or defective parts repaired or replaced by an authorized repair agent.

- ◆ Regularly check the charger lead for damage. Replace the charger if the lead is damaged or defective.
- ◆ Never attempt to remove or replace any parts other than those specified in this manual.

Additional safety instructions for batteries and chargers

Battery and charger

- ◆ Never attempt to open for any reason.
- ◆ Do not expose the battery to water.
- ◆ Do not short circuit the charging terminals on the vacuum cleaner bowl or the charging unit.
- ◆ Do not store in locations where the temperature may exceed 40°C.
- ◆ Charge only at ambient temperatures between 10°C and 40°C.
- ◆ Do not incinerate the battery.
- ◆ When disposing of batteries, follow the instructions given in the section "Protecting the environment".
- ◆ Have defective cords replaced immediately.
- ◆ Do not expose the charging base to water.
- ◆ Do not open the charging base.
- ◆ Do not probe the charger.

Electrical safety

Your charger has been designed for a specific voltage. Always check that the mains voltage corresponds to the voltage on the rating plate. Never attempt to replace the charger unit with a regular mains plug.



This appliance is double insulated; therefore no earth wire is required. Always check that the power supply corresponds to the voltage on the rating plate.



The charger is intended for indoor use only.



Read the instruction manual before use.



The charger automatically shuts off if the ambient temperature becomes too high. As soon as the ambient temperature has cooled down, the charger will resume operating.



Charge only at ambient temperatures between 10°C and 40°C.

Features

This appliance includes some or all of the following features.

1. On/off power switch
2. Removable hose/handle
3. Locking ring
4. Hose
5. Filter cleaning wheel
6. Charging inlet
7. Transparent door
8. LED charging indicator
9. Door latch
10. 2-in-1 combi nozzle accessory
11. Accessory clip

The following accessories are only available with model number PD1200 (fig. A & B):

12. Accessory caddy
13. Powered brush head
14. Crevice tool

The powered brush head is not included with all models.

Assembly

Mounting accessories (fig. A, B & C)

The 2-in-1 combi nozzle (10) has a brush that can be folded forward for dusting and upholstery cleaning.

The crevice tool (14) allows for vacuuming in narrow and hard-to-reach places.

The powered brush head (13) has its own rechargeable batteries and is charged separately from the appliance, refer to "Charging the battery" section.

- ◆ To fit an accessory press the accessory clip (11) and slide the accessory onto the handle (2).
- ◆ To remove an accessory, press the accessory clip (11) and remove the accessory.

The handle (2) can be removed from the hose (4) allowing the accessories to be connected directly to the hose cuff (18) when required. To remove the handle:

- ◆ Unclip the handle (2) from the appliance.
- ◆ Rotate the locking ring (3) anti-clockwise to release the clips.
- ◆ Pull the hose (4) away from the handle (2).
- ◆ Fit the accessory directly to the hose cuff (18).

To refit the handle:

- ◆ Remove the accessory from the hose.
- ◆ Push the hose (4) into the handle (2). Rotate the locking ring (3) clockwise until it clicks into place.

Fitting the accessory caddy (PD1200) (fig. D)

When not in use, accessories can be stored in the accessory caddy (12). The accessory caddy can be removed if necessary.

- ◆ To install the accessory caddy (12) slide it onto the lugs on the body of the appliance until it clicks into place.
- ◆ To remove the accessory caddy (12) pull it away from the base of the appliance.

Use

Before first use, the batteries must be charged for at least 16 hours.

- ◆ Connect the appliance and the powered brush head (13) to the charger for a minimum of 16 hours.
- ◆ Charge the batteries as described below.

You may need to charge/discharge the appliance a minimum of 5 times in order to achieve the best running time performance.

Charging the battery (fig. A & E)

Warning! Do not charge the battery at ambient temperatures below 10°C or above 40°C.

Note: If your vacuum cleaner is supplied with a single charger with a dual lead to charge both the appliance and the powered brush head (13), the jack plugs are the same size and are interchangeable. The appliance and the powered brush head (13) can be charged at the same time.

To charge the appliance:

- ◆ Make sure that the appliance is switched off. The battery will not be charged with the on/off power switch (1) in the on position.
- ◆ Insert the plug into the charging inlet (6) in the base.
- ◆ Plug in the charger and switch on at the mains.
- ◆ The charging indicator (8) will be lit.
- ◆ For the first charging, leave the appliance to charge for at least 16 hours.

To charge the powered brush head:

- ◆ Make sure that the powered brush head (13) is switched off. The battery will not be charged with the on/off power switch (17) in the on position.
- ◆ Insert the plug into the charger inlet (16).
- ◆ Plug in the charger and switch on at the mains.
- ◆ The charging indicator (15) will be lit.
- ◆ For the first charging, leave the appliance to charge for at least 16 hours.

While charging, the charger may become warm. This is normal and does not indicate a problem.

While it is safe to leave the appliance/powered brush head connected to the charger indefinitely, to reduce power consumption, we would recommend unplugging the charger after 24 hours. The charging indicators will be lit as long as the appliance is connected to the plugged-in charger.

Switching on and off

- ◆ To switch the appliance on, slide the on/off power switch (1) to the right to position 1.
- ◆ To switch the appliance off, slide the on/off power switch (1) to the left until it clicks into the off position.

Vacuuming

- ◆ When operating the appliance, make sure that the hose is not trapped, twisted or blocked.
- ◆ The handle (2) can be easily removed from the appliance allowing you to reach up to 1.5 m from the appliance.
- ◆ With the handle (2) removed, the appliance can be carried using the built-in handle.
- ◆ The handle (2) can also be removed from the hose (4) so that you can connect an accessory directly to the hose cuff (18) when required.

Hints for optimum use

- ◆ When working in confined spaces, temporarily remove the accessory caddy (12) from the base to improve your scope.
- ◆ When vacuuming stairs, always start at the bottom and work your way up.

Using the powered brush head (fig. A)

The powered brush head (13) can only be used with the handle removed from the appliance.

- ◆ To switch the powered brush head to on, move the on/off switch (17) to the on position .
- ◆ slide the on/off power switch (1) to the on position.
- ◆ Move the powered brush head (13) steadily backwards and forwards. Do not keep the brush on the same place for a long time, as this might damage the surface.
- ◆ Move the on/off switch (17) to the off position to switch the powered brush head off.

Optimising the suction force

In order to keep the suction force optimised, the filters must be cleared regularly during use.

- ◆ Turn the filter cleaning wheel (5) two turns clockwise to remove out any dust from the filters.
- ◆ The fine particulate filter must be cleaned regularly, see "Cleaning the fine particulate filter" section.

Cleaning and maintenance

Emptying the dust container (fig. F)

The dust container must be emptied regularly, preferably after every use.

- ◆ Release the door catch (9) and open the transparent door (7) 180° until it clicks in the open position.
- ◆ Remove the pre-filter (19).
- ◆ Empty the dust container.
- ◆ Clean the pre-filter (19) by lightly shaking over a dustbin.
- ◆ Refit the pre-filter (19).
- ◆ Close the transparent door (7) and make sure that it clicks into place.

Warning! Do not, under any circumstances, rinse out the dust container.

Warning! Do not immerse the appliance in water. A damp cloth and soapy water should be used to clean the exterior of the appliance. Always make sure that the appliance is completely dry before re-use or storing.

Cleaning the fine particulate filter (fig. H)

The fine particulate filter (20) prevents particles and larger objects from entering the motor housing.

The filter (20) is re-usable and should be cleaned regularly.

- ◆ Remove the pre-filter (19) from the appliance as described above.
- ◆ Remove the fine particulate filter (20) by pulling firmly.
- ◆ Tap the filter vigorously to remove loose dust from the filter.
- ◆ If necessary, wash the filter in warm, soapy water.
- ◆ Make sure that the filters are dry.
- ◆ Refit the fine particulate filter (20) on to the appliance.
- ◆ Refit the pre-filter (19) as described above.

Clearing the powered brush head (fig. H)

- ◆ Remove any hair or threads that have collected on the brush, use a pair of scissors if necessary.

Replacing the filters

The filters should be replaced every 6 to 9 months and whenever worn or damaged. Replacement filters are available from your Black & Decker dealer (cat. no. PD10):

- ◆ Remove the old filters as described above.
- ◆ Fit the new filters as described above.

Protecting the environment



Separate collection. This product must not be disposed of with normal household waste.

Should you find one day that your Black & Decker product needs replacement, or if it is of no further use to you, do not dispose of it with household waste. Make this product available for separate collection.



Separate collection of used products and packaging allows materials to be recycled and used again. Re-use of recycled materials helps prevent environmental pollution and reduces the demand for raw materials.

Local regulations may provide for separate collection of electrical products from the household, at municipal waste sites or by the retailer when you purchase a new product.

Black & Decker provides a facility for the collection and recycling of Black & Decker products once they have reached the end of their working life. To take advantage of this service please return your product to any authorised repair agent who will collect them on our behalf.

You can check the location of your nearest authorised repair agent by contacting your local Black & Decker office at the address indicated in this manual. Alternatively, a list of authorised Black & Decker repair agents and full details of our after-sales service and contacts are available on the Internet at: www.2helpU.com.

Batteries



Black & Decker batteries can be recharged many times. At the end of their useful life, discard batteries with due care for our environment.:

If you want to dispose of the product yourself, the batteries must be removed as described below and disposed of in accordance with local regulations.

- ◆ Discharge the battery by operating the appliance until the motor stops.
- ◆ Invert the appliance to get access to the screws that attach the base (fig. H & I).
- ◆ Remove the 4 screws (21 or 22).
- ◆ Remove the base.
- ◆ Disconnect the 3-pin connector.
- ◆ Place the battery in suitable packaging to ensure that the terminals cannot be short-circuited.
- ◆ NiHM batteries are recyclable. Take them to any authorised repair agent or a local recycling station.

Technical data

	PD1200	PD1080
Voltage	Vdc 12	10.8
Weight	kg 1.8	1.75

Charger

Input voltage	Vac 230
Approx. charging time	h 16
Weight	kg 0.5

Powered brush head

Voltage	Vdc 2.4
Brush rotation	rpm 2500

EC declaration of conformity

PD1200 - H1, PD1080 - H1

Black & Decker declares that these products conform to:
2006/95/EC, EN 60335

Level of sound pressure, measured
according to EN 60704-1: = 72 dB(A)

The undersigned is responsible for compilation of the technical file and makes this declaration on behalf of
Black & Decker

Kevin Hewitt
Director of Consumer Engineering
Spennymoor, County Durham, DL16 6JG,
United Kingdom
24-03-2009

Guarantee

Black & Decker is confident of the quality of its products and offers an outstanding guarantee. This guarantee statement is in addition to and in no way prejudices your statutory rights. The guarantee is valid within the territories of the Member States of the European Union and the European Free Trade Area.

If a Black & Decker product becomes defective due to faulty materials, workmanship or lack of conformity, within 24 months from the date of purchase, Black & Decker guarantees to replace defective parts, repair products subjected to fair wear and tear or replace such products to make sure of the minimum inconvenience to the customer unless:

- ◆ The product has been used for trade, professional or hire purposes.
- ◆ The product has been subjected to misuse or neglect.
- ◆ The product has sustained damage through foreign objects, substances or accidents.

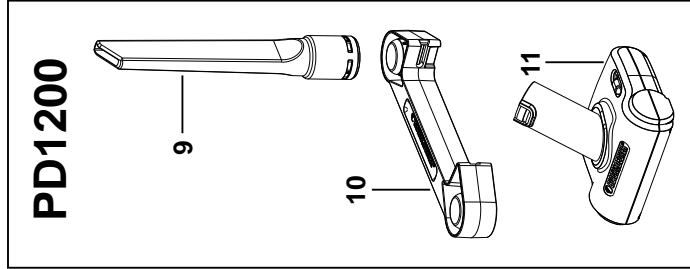
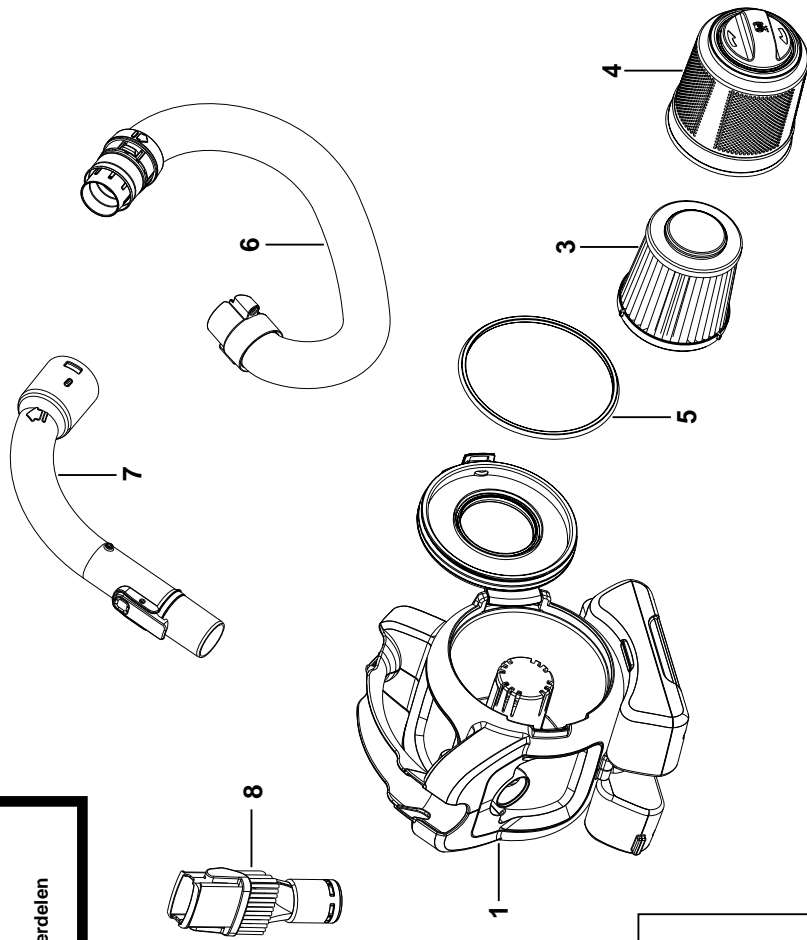
- ◆ Repairs have been attempted by persons other than authorised repair agents or Black & Decker service staff.

To claim on the guarantee, you will need to submit proof of purchase to the seller or an authorised repair agent. You can check the location of your nearest authorised repair agent by contacting your local Black & Decker office at the address indicated in this manual. Alternatively, a list of authorised Black & Decker repair agents and full details of our after-sales service and contacts are available on the Internet at:

www.2helpU.com

Please visit our website **www.blackanddecker.co.uk** to register your new Black & Decker product and to be kept up to date on new products and special offers. Further information on the Black & Decker brand and our range of products is available at **www.blackanddecker.co.uk**.

Partial support - Only parts shown available
Nur die aufgeführten teile sind lieferbar
Reparation partielle - Seules les pieces indiquees sont disponibles
Supporto parziale - Sono disponibili soltanto le parti evidenziate
Solo estan disponibles las piezas listadas
So se encontram disponibles as pecas listadas
Gedeeltelijke ondersteuning - alleen de getoonde onderdelen
zijn beschikbaar



Australia

Black & Decker (Australia) Pty. Ltd. Tel. 03-8720 5100
20 Fletcher Road, Mooroolbark, Fax 03-9727 5940
Victoria, 3138

New Zealand

Black & Decker Tel. +64 9 259 1133
5 Te Apunga Place Fax +64 9 259 1122
Mt Wellington
Auckland 1060

United Kingdom

Black & Decker Tel. 01753 511234
210 Bath Road Fax 01753 551155
Slough, Berkshire SL1 3YD Helpline 01753 574277