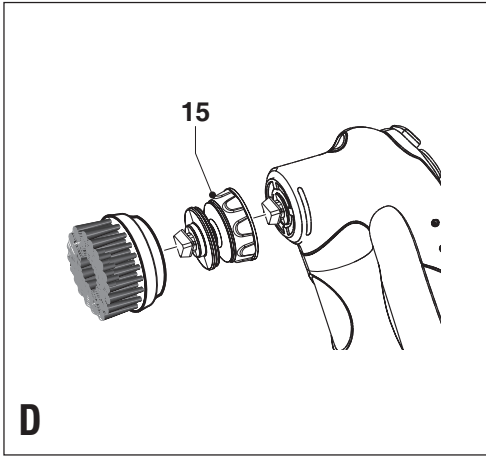
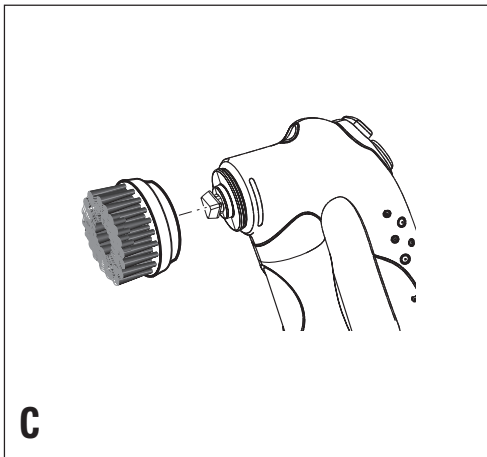
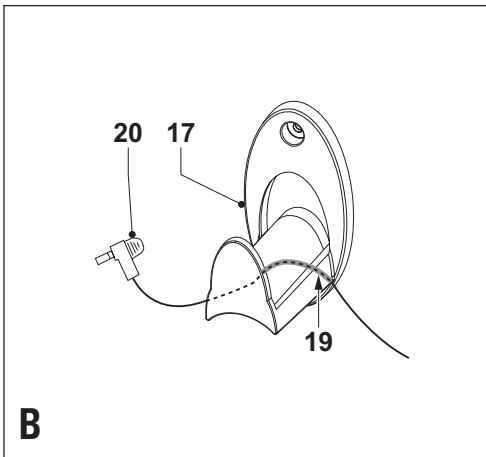
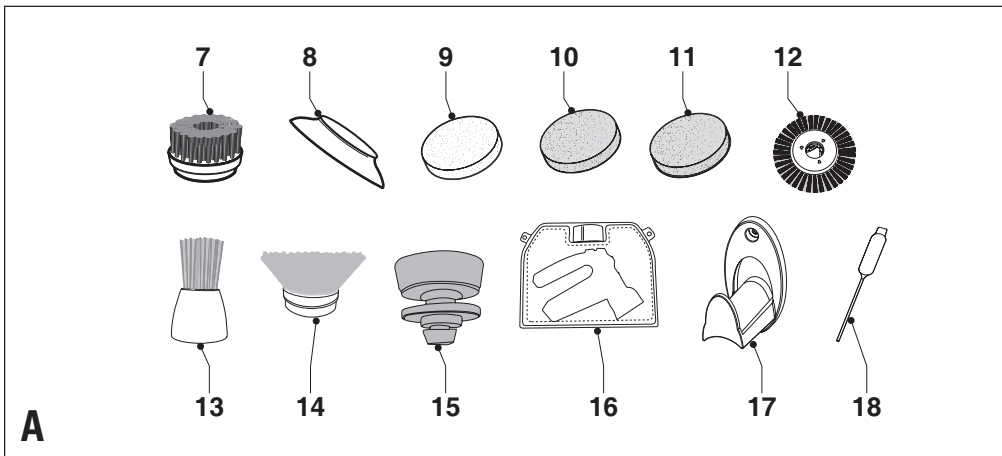
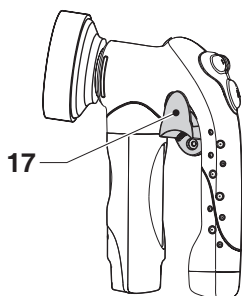
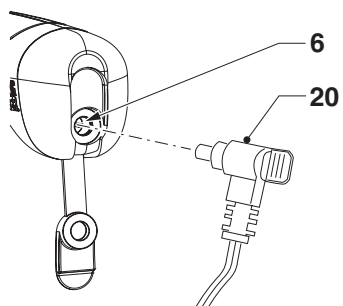
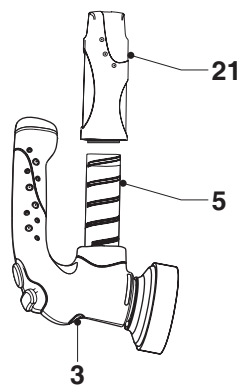


English	5
Deutsch	9
Français	14
Italiano	19
Nederlands	24
Español	29
Português	34
Svenska	39
Norsk	44
Dansk	49
Suomi	54
Ελληνικά	59

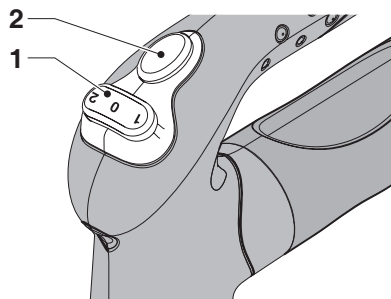




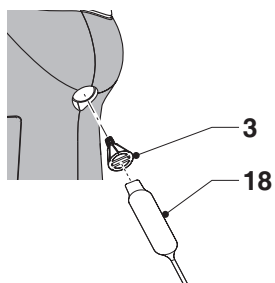
E



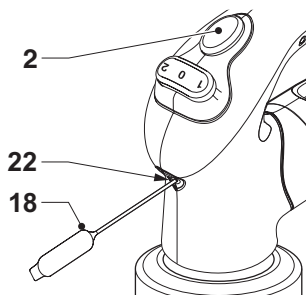
F



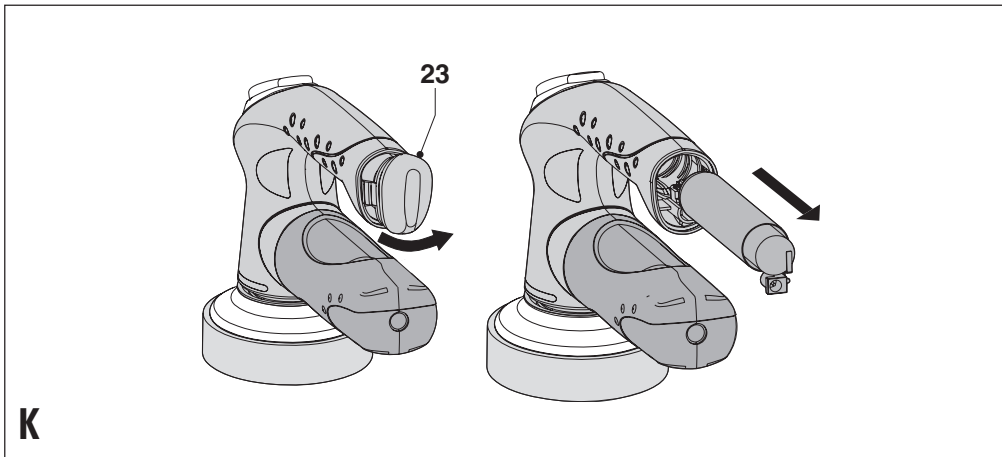
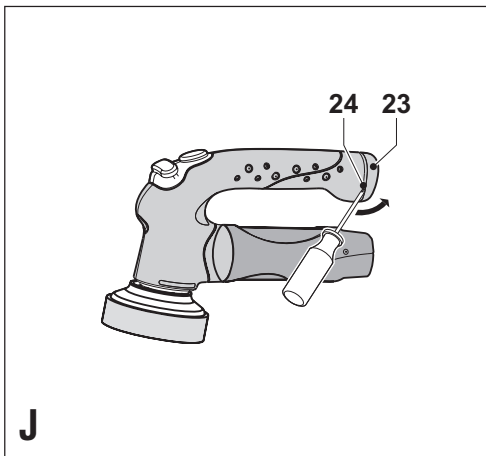
G



H



I



Intended use

Your Black & Decker Scumbuster® has been designed for wet and dry cleaning purposes. This product is intended for household use only.

Safety instructions

- ◆ **Warning!** When using battery-powered appliances, basic safety precautions, including the following, should always be followed to reduce the risk of fire, leaking batteries, personal injury and material damage.
- ◆ Read all of this manual carefully before using the appliance.
- ◆ The intended use is described in this manual. The use of any accessory or attachment or the performance of any operation with this appliance other than those recommended in this instruction manual may present a risk of personal injury.
- ◆ Retain this manual for future reference.

Using your appliance

- ◆ Keep children and animals at a safe distance when using this appliance.
- ◆ Never use the appliance near flammable fumes or liquids.
- ◆ Do not immerse the appliance in water.

After use

- ◆ Unplug the charger after use and before cleaning it.
- ◆ When not in use, the appliance should be stored indoors, in a dry place. Children should not have access to stored appliances.

Inspection and repairs

- ◆ Before use, check the appliance for damaged or defective parts. Check for breakage of parts, damage to switches and any other conditions that may affect its operation.
- ◆ Do not use the appliance if any part is damaged or defective.
- ◆ Have any damaged or defective parts repaired or replaced by an authorised repair agent.
- ◆ Regularly check the charger plug for damage. Replace the charger if the plug is damaged or defective.
- ◆ Never attempt to remove or replace any parts other than those specified in this manual.

Additional safety instructions for batteries and chargers

Batteries

- ◆ Never attempt to open for any reason.
- ◆ Do not expose the battery to water.
- ◆ Do not store in locations where the temperature may exceed 40 °C.
- ◆ Charge only at ambient temperatures between 4 °C and 40 °C.
- ◆ Charge only using the charger provided with the tool.

- ◆ When disposing of batteries, follow the instructions given in the section "Protecting the environment".
- ◆ Under extreme conditions, battery leakage may occur. When you notice liquid on the battery, proceed as follows:
 - Carefully wipe the liquid off using a cloth.
 - Avoid skin contact.
 - In case of skin or eye contact, follow the instructions below.

Warning! The battery fluid, a 25-30% solution of potassium hydroxide, can be harmful. In case of skin contact, immediately rinse with water. Neutralise with a mild acid such as lemon juice or vinegar. In case of eye contact, rinse abundantly with clean water for at least 10 minutes. Consult a physician.

- ◆ Do not incinerate the battery.
- ◆ Do not attempt to charge damaged batteries.

Chargers

- ◆ Use your Black & Decker charger only to charge the battery in the tool with which it was supplied. Other batteries could burst, causing personal injury and damage.
- ◆ Never attempt to charge non-rechargeable batteries.
- ◆ Have defective cords replaced immediately.
- ◆ Do not expose the charger to water.
- ◆ Do not open the charger.
- ◆ Do not probe the charger.



The charger is intended for indoor use only.

Electrical safety

Your charger has been designed for a specific mains voltage. Always check that the mains voltage corresponds to the voltage on the rating plate.



Your charger is double insulated; therefore no earth wire is required.

Features

1. On/off switch
2. Dispense button
3. Nozzle
4. Scrub pad & disc
5. Liquid reservoir
6. Charger connector

Accessories (fig. A)

This product is supplied with the following accessories:

7. Wide area bristle brush: for aggressive area cleaning on ceramic tile walls and floors, fibreglass and hard plastic surfaces
8. Pad disc: for use with pads

9. Mild scrub pad (white): for milder scrubbing of large areas, such as ceramic tile walls and floors or outdoor furniture
10. Coarse scrub pad (light blue): for aggressive scrubbing of larger surfaces, such as ceramic tile walls and floors or bath tubs and sinks (porcelain or enamel)
11. Heavy scrub pad (green): for aggressive scrubbing on large surfaces, such as barbecue grill grates
12. Radial brush: for tile grout cleaning
13. Narrow brush: for cleaning of corners and hard to reach places
14. Carpet brush: for carpet cleaning
15. Flexible attachment: for use of brushes and scrub pads in curved places
16. Carrying caddy: for portable and convenient storage of the unit and accessories
17. Wall mount: for storage of the unit during charging
18. Cleaning stick: for unclogging of the dispensing system

Installation

Mounting the wall mount to the wall (fig. B)

The wall mount can be fitted to the wall to provide a convenient storage and charging point for the appliance.

- ◆ Locate the wall mount (17) within reach of a mains supply. Fit the wall mount using the appropriate hardware.
- ◆ Plug in the charger.
- ◆ Insert the cord of the charger into the groove (19) in the bottom of the wall mount. Allow sufficient length of cord to connect the charger plug (20) to the appliance when placed in the wall mount.

Warning! Do not fit the wall mount directly over a mains supply. Ensure the cord has a loop when the charger is connected to the mains.

Assembly

Warning! Before assembly, switch off the tool.

Fitting and removing an accessory (fig. C)

Fitting

- ◆ When using a pad, fit the pad onto the pad disc.
- ◆ Align the triangular notch on the accessory with the shaft on the motor unit.
- ◆ Place the accessory onto the shaft. Snap and twist the accessory quickly in the clockwise direction.

Removing

- ◆ Snap and twist the accessory quickly in the counterclockwise direction and pull it off the motor unit.

Fitting flexible attachment (fig. D)

The flexible attachment (15) must be fitted between the motor unit and the accessory.

- ◆ Fit the flexible attachment onto the appliance as described above.
- ◆ Fit the accessory onto the appliance flexible attachment.

Warning! Never use the flexible attachment without a brush or scrub pad in place. Do not use the flexible attachment for carpet cleaning.

Use

- ◆ Before first use, the battery must be charged for at least 16 hours.
- ◆ Place the appliance in the wall mount whenever it is not in use.
- ◆ Leave the appliance connected to the charger whenever it is not in use.

Charging the battery (fig. E)

- ◆ Before charging, make sure that the appliance is switched off.
- ◆ Place the appliance in the wall mount (17) as shown.
- ◆ Insert the charger plug (20) into the charger connector (6) at the rear of the appliance.
- ◆ Plug in the charger. Switch on at the mains.

The indicator light on the charger will be lit and will stay lit as long as the battery is connected to the charger.

- ◆ Leave the appliance to charge for at least 16 hours. Whilst charging, the charger may become warm. This is normal and does not indicate a problem. The appliance can be left connected to the charger indefinitely.
- ◆ After disconnecting the appliance from the charger, replace the charging plug.

Warning! Do not charge the battery at ambient temperatures below 4 °C or above 40 °C.

Filling the liquid reservoir (fig. F)

Fill the appliance only with water-like household cleaning agents. Do not fill the appliance with gels or soft scrubs as they will clog the dispensing system.

- ◆ Hold the appliance over a sink with the nozzle (3) facing down as shown.
- ◆ Loosen the liquid reservoir cap (21) and remove it.
- ◆ Fill the reservoir (5) with the required cleaning agent up to the "max" line.
- ◆ Re-fit the cap, making sure it is tightened securely.

Warning! Before filling the appliance with a different cleaning agent, always clean the housing and flush the dispense system with clear water. Do not mix cleaning agents.

Warning! Never fill above the “max” line on the liquid reservoir.

Dispensing liquid (fig. G)

- ◆ Press the dispense button (2). The liquid will continue to dispense as long as the dispense button is kept depressed.

Warning! Do not dispense the liquid towards equipment containing electrical components, such as the interior of ovens.

Switching on and off (fig. G)

- ◆ To switch the appliance on at low speed, set the on/off switch to position 1.
- ◆ To switch the appliance on at high speed, set the on/off switch to position 2.
- ◆ To switch the appliance off, set the on/off switch to position 0.

Hints for optimum use

The appliance can be used with a variety of cleaning agents, including bathroom, automotive, patio furniture, carpet and other common household cleaners. Always read and follow the manufacturer’s instructions on the cleaning agent you use. Do not use the appliance with abrasive cleaning agents.

Warning! Wear gloves and eye protection when using aggressive chemical cleaners.

- ◆ Before cleaning carpets, thoroughly vacuum the surface.
- ◆ For soiled carpets, dip the shampoo brush in a cleaning solution and shampoo the soiled area. Move the appliance in a circular pattern. Do not hold the appliance in one place while running. Once the foam has disappeared, let it dry, then vacuum the carpet.
- ◆ If you are unsure about using this appliance on a particular surface, test it first on a small inconspicuous patch.

Cleaning and maintenance

- ◆ Regularly clean the motor unit using a damp cloth. Do not use any abrasive or solvent-based cleaner.
- ◆ After every use, clean the accessories in soapy water.
- ◆ Clean the liquid dispensing system after every use and before storage.

Cleaning the liquid reservoir (fig. F)

- ◆ Remove the liquid reservoir cap (21).
- ◆ Empty the liquid reservoir (5) as necessary.
- ◆ Wipe the inside of the liquid reservoir with a soft damp cloth and flush with water.

Cleaning the nozzle (fig. H)

- ◆ Loosen the nozzle (3) and remove it using the cleaning tool (18).
- ◆ Immerse the nozzle for a half hour in clear warm water.

- ◆ Clean the grooves in the nozzle using a fine synthetic brush.
- ◆ Re-fit the nozzle. Be careful not to overtighten.
- ◆ Fill the reservoir (5) with clear water.
- ◆ Dispense the liquid until the reservoir is empty.
- ◆ Repeat this procedure 1 or 2 times with clear water.

Cleaning the dispensing system (fig. H)

- ◆ Loosen the nozzle (3) and remove it using the cleaning tool (18).
- ◆ Fill the reservoir (5) with warm water.
- ◆ Dispense the liquid until the reservoir is empty.
- ◆ Repeat this procedure 1 or 2 times with warm water.
- ◆ Re-fit the nozzle. Be careful not to overtighten.

Unclogging the dispensing system (fig. H & I)

- ◆ Fill the reservoir (5) with clear warm water up to the “max” line.
- ◆ Loosen the nozzle (3) and remove it using the cleaning tool (18).
- ◆ Press the dispense button (2) while inserting the front end of the cleaning tool (18) into the dispense tube (22) repeatedly until the dispensing system is unclogged.

The dispensing system is unclogged when the sound of pressure release is heard, followed by water exiting the nozzle.

- ◆ Remove the cleaning tool. Dispense the liquid until the reservoir is empty.
- ◆ Repeat this procedure 1 or 2 times as necessary to restore the full flow.
- ◆ Re-fit the nozzle. Be careful not to overtighten.

Protecting the environment



Separate collection. This product must not be disposed of with normal household waste.

Should you find one day that your Black & Decker product needs replacement, or if it is of no further use to you, do not dispose of it with household waste. Make this product available for separate collection.



Separate collection of used products and packaging allows materials to be recycled and used again. Re-use of recycled materials helps prevent environmental pollution and reduces the demand for raw materials.

Local regulations may provide for separate collection of electrical products from the household, at municipal waste sites or by the retailer when you purchase a new product.

Black & Decker provides a facility for the collection and recycling of Black & Decker products once they have reached the end of their working life. To take advantage of this service please return your product to any authorised repair agent who will collect them on our behalf.

You can check the location of your nearest authorised repair agent by contacting your local Black & Decker office at the address indicated in this manual. Alternatively, a list of authorised Black & Decker repair agents and full details of our after-sales service and contacts are available on the Internet at: www.2helpU.com

Battery (fig. J & K)



At the end of their useful life, discard batteries with due care for our environment.

- ◆ Preferably discharge the battery by operating the appliance until the motor stops.
- ◆ Using a flat-blade screwdriver, push the battery cover (23) in at the notch (24) to the side of the cover, so that it unclips and can be removed.
- ◆ Take hold of the battery casing to pull the battery out of the appliance.
- ◆ Place the battery in suitable packaging to ensure that the terminals cannot be short-circuited.
- ◆ Take the battery to your service agent or a local recycling station.

Warning! Once removed, the battery cannot be refitted.

Technical data

		S600
Voltage	V_{DC}	3.6
Weight	kg	0.9

EC declaration of conformity

S600

Black & Decker declares that these products conform to:
98/37/EC, 89/336/EEC, 73/23/EEC, EN 55014, EN 60335,
EN 61000

L_{pA} (sound pressure): < 70 dB(A),
hand/arm weighted vibration < 2.5 m/s²

Colin Willis, Director of Engineering
BDCI, 4/F, 2 Dai Wang Street
Tai Po Industrial Estate
Tai Po NT, Hong Kong
1-1-2005

Guarantee

Black & Decker is confident of the quality of its products and offers an outstanding guarantee. This guarantee statement is in addition to and in no way prejudices your statutory rights. The guarantee is valid within the territories of the Member States of the European Union and the European Free Trade Area.

If a Black & Decker product becomes defective due to faulty materials, workmanship or lack of conformity, within 24 months from the date of purchase, Black & Decker guarantees to replace defective parts, repair products subjected to fair wear and tear or replace such products to ensure minimum inconvenience to the customer unless:

- ◆ The product has been used for trade, professional or hire purposes;
- ◆ The product has been subjected to misuse or neglect;
- ◆ The product has sustained damage through foreign objects, substances or accidents;
- ◆ Repairs have been attempted by persons other than authorised repair agents or Black & Decker service staff.

To claim on the guarantee, you will need to submit proof of purchase to the seller or an authorised repair agent. You can check the location of your nearest authorised repair agent by contacting your local Black & Decker office at the address indicated in this manual. Alternatively, a list of authorised Black & Decker repair agents and full details of our after-sales service and contacts are available on the Internet at:

www.2helpU.com

Please visit our website www.blackanddecker.co.uk to register your new Black & Decker product and to be kept up to date on new products and special offers. Further information on the Black & Decker brand and our range of products is available at www.blackanddecker.co.uk

Bestimmungsgemäße Verwendung

Ihr Black & Decker Scumbuster® wurde für Naß- und Trockenreinigungsarbeiten konstruiert. Dieses Gerät ist nicht für den gewerblichen Einsatz vorgesehen.

Sicherheitshinweise

- ◆ **Achtung!** Bei der Verwendung von Akkugeräten sind zum Schutz gegen Feuergefahr, gegen Austreten der Akkufflüssigkeit sowie gegen Körper- und Sachschaden grundlegende Sicherheitsmaßnahmen einschließlich der folgenden Vorschriften zu beachten.
- ◆ Lesen Sie diese Anleitung genau durch, bevor Sie das Gerät verwenden.
- ◆ Die bestimmungsgemäße Verwendung ist in dieser Bedienungsanleitung beschrieben. Das Verwenden anderer als der in dieser Anleitung empfohlenen Vorsatzgeräte und Zubehörteile oder die Ausführung von Arbeiten mit diesem Gerät, die nicht der bestimmungsgemäßen Verwendung entsprechen, kann zu Unfallgefahren führen.
- ◆ Bewahren Sie diese Anleitung auf.

Gebrauch des Gerätes

- ◆ Halten Sie Kinder und Tiere beim Gebrauch des Gerätes in einem sicheren Abstand.
- ◆ Verwenden Sie das Gerät niemals in der Nähe von brennbaren Dämpfen oder Flüssigkeiten.
- ◆ Tauchen Sie das Gerät nicht in Wasser ein.

Nach der Verwendung

- ◆ Ziehen Sie nach dem Gebrauch oder vor der Reinigung das Ladegerät aus der Steckdose.
- ◆ Das unbenutzte Gerät ist in einem geschlossenen Raum an einem trockenen Ort aufzubewahren. Kinder sollten keinen Zugang zu aufbewahrten Geräten haben.

Überprüfung und Reparaturen

- ◆ Überprüfen Sie das Gerät vor dem Gebrauch auf beschädigte oder defekte Teile. Prüfen Sie, ob Teile gebrochen, Schalter beschädigt oder andere Zustände eingetreten sind, die die Funktion des Gerätes beeinträchtigen.
- ◆ Benutzen Sie das Gerät nicht, wenn irgendein Teil defekt ist.
- ◆ Lassen Sie defekte Teile immer von einer unserer Kundendienstwerkstätten reparieren oder austauschen.
- ◆ Überprüfen Sie regelmäßig den Stecker des Ladegeräts auf Beschädigung. Erneuern Sie das Ladegerät, falls der Stecker beschädigt ist.
- ◆ Versuchen Sie nie, irgendwelche Teile zu entfernen oder auszutauschen, die nicht in dieser Anleitung beschrieben werden.

Zusätzliche Sicherheitshinweise für Akku und Ladegerät

Akkus

- ◆ Versuchen Sie auf keinen Fall, einen Akku zu öffnen.
- ◆ Setzen Sie den Akku keiner Nässe aus.
- ◆ Nicht an einem Ort aufbewahren, wo die Temperatur 40 °C überschreiten kann.
- ◆ Nur bei Umgebungstemperaturen zwischen 4 °C und 40 °C aufladen.
- ◆ Laden Sie den Akku nur mit dem im Lieferumfang enthaltenen Ladegerät.
- ◆ Befolgen Sie bei der Entsorgung von Akkus die Anweisungen im Abschnitt "Umweltschutz".
- ◆ Unter extremen Einsatzbedingungen kann Akkufflüssigkeit aus dem Akku austreten. Wenn sich Flüssigkeit auf dem Akku befindet, gehen Sie folgendermaßen vor:
 - Wischen Sie die Flüssigkeit mit Hilfe eines Tuches vorsichtig vom Akku. Vermeiden Sie eine Berührung mit der Haut.
 - Falls die Flüssigkeit dennoch mit der Haut oder den Augen in Berührung kommen sollte, befolgen Sie die folgenden Anweisungen.

Achtung! Die Akkufflüssigkeit, eine 25 bis 30% starke Kaliumhydroxidlösung, kann schädlich sein. Falls die Lösung mit der Haut in Berührung kommt, spülen Sie sofort mit reichlich Wasser. Neutralisieren Sie die Lösung mit einer milden Säure wie Zitronensaft oder Essig. Falls die Lösung mit den Augen in Berührung kommt, spülen Sie mindestens 10 Minuten lang mit reichlich klarem Wasser. Wenden Sie sich an einen Arzt.

- ◆ Verbrennen Sie den Akku nicht!
- ◆ Versuchen Sie nie, einen beschädigten Akku zu laden!

Ladegeräte

- ◆ Verwenden Sie Ihr Black & Decker Ladegerät nur zum Laden von Akkus vom im Lieferumfang enthaltenen Typ. Andere Akkus könnten platzen und Sach- und Personenschäden verursachen.
- ◆ Versuchen Sie nie, nicht aufladbare Batterien zu laden.
- ◆ Lassen Sie beschädigte Leitungen sofort austauschen.
- ◆ Setzen Sie das Ladegerät niemals Nässe aus.
- ◆ Öffnen Sie das Ladegerät nicht.
- ◆ Fassen Sie nicht mit den Fingern oder irgendwelchen Gegenständen in das Ladegerät.



Das Ladegerät ist ausschließlich für den Gebrauch in geschlossenen Räumen vorgesehen.

Elektrische Sicherheit

Ihr Ladegerät wurde für eine bestimmte Netzspannung konstruiert. Überprüfen Sie immer, ob die Netzspannung mit der Spannung auf der Datenplakette übereinstimmt.



Ihr Ladegerät ist schutzisoliert, daher ist keine Erdleitung erforderlich.

Merkmale

1. Ein-/Aus-Schalter
2. Spenderknopf
3. Düse
4. Scheuerkissen und Scheibe
5. Flüssigkeitsbehälter
6. Anschlußbuchse für Ladegerät

Zubehörteile (Abb. A)

Im Lieferumfang dieses Geräts sind folgende Zubehörteile enthalten:

7. Breitflächige Borstenbürste: für die aggressive Flächenreinigung von Keramikfliesen und Böden, Fiberglas und Hartplastikflächen
8. Kissenscheibe: für den Einsatz mit Kissens
9. Weiches Scheuerkissen (weiß): für das schonende Scheuern von Großflächen wie Keramikfliesen und Böden oder Möbeln im Freien
10. Grobes Scheuerkissen (hellblau): für das aggressive Scheuern von Großflächen wie Keramikfliesen und Böden oder Badewannen und Becken (Porzellan oder Emaille)
11. Kräftiges Scheuerkissen (grün): für das aggressive Scheuern von Großflächen wie Grillrosten
12. Radialbürste: für die Reinigung von Fliesenfugen
13. Schmale Bürste: für die Reinigung von Ecken und schwer zugänglichen Stellen
14. Teppichbürste: für die Reinigung von Teppichen
15. Flexibles Zusatzgerät: für die Verwendung von Bürsten und Scheuerkissen an runden Stellen
16. Transportkoffer: für den Transport und die bequeme Aufbewahrung des Gerätes samt Zubehör
17. Wandhalterung: für die Aufbewahrung des Gerätes während des Ladevorgangs
18. Reinigungsstab: für die Befreiung von Verstopfungen im Spendersystem

Installation

Montieren der Wandhalterung an der Wand (Abb. B)

Die Wandhalterung kann an der Wand angebracht werden, wodurch man einen bequemen Aufbewahrungs- und Ladeplatz für das Gerät erhält.

- ◆ Bringen Sie die Wandhalterung (17) in der Nähe einer Netzsteckdose an. Bringen Sie die Wandhalterung mit den entsprechenden Befestigungen an.
- ◆ Stecken Sie das Ladegerät in die Steckdose.
- ◆ Setzen Sie die Leitung des Ladegeräts in die Rille (19) in der Unterseite der Wandhalterung ein. Lassen Sie die Leitung lang genug, so daß der Ladegerätstecker (20) mit dem Gerät verbunden werden kann, wenn das Gerät in die Wandhalterung gesetzt wird.

Achtung! Bringen Sie die Wandhalterung nicht direkt über einer Netzsteckdose an. Vergewissern Sie sich, daß in der Anschlußleitung noch eine Schlaufe übrig ist, wenn das Ladegerät mit der Netzsteckdose verbunden wird.

Montage

Achtung! Schalten Sie das Gerät vor der Montage ab.

Anbringen und Entfernen von Zubehör (Abb. C)

Anbringen

- ◆ Bei Verwendung eines Kissens bringen Sie das Kissen auf der Kissenscheibe an.
- ◆ Richten Sie die Dreieckskerbe am Zubehör mit der Welle an der Motoreinheit aus.
- ◆ Setzen Sie das Zubehör auf die Welle. Lassen Sie das Zubehör einrasten und drehen Sie es schnell im Uhrzeigersinn.

Entfernen

- ◆ Lassen Sie das Zubehör einrasten, drehen Sie es schnell gegen den Uhrzeigersinn und ziehen Sie es von der Motoreinheit ab.

Anbringen des flexiblen Zusatzgeräts (Abb. D)

Das flexible Zusatzgerät (15) muß zwischen der Motoreinheit und dem Zubehör angebracht werden.

- ◆ Bringen Sie das flexible Zusatzgerät wie oben beschrieben am Gerät an.
- ◆ Bringen Sie das Zubehör am flexiblen Zusatzgerät des Geräts an.

Achtung! Verwenden Sie das flexible Zusatzgerät niemals ohne eine Bürste oder ein Scheuerkissen. Verwenden Sie das flexible Zusatzgerät nicht zur Teppichreinigung.

Gebrauch

- ◆ Vor dem ersten Gebrauch muß der Akku mindestens 16 Stunden aufgeladen werden.
- ◆ Setzen Sie das Gerät in die Wandhalterung ein, wenn es nicht gebraucht wird.

- ◆ Lassen Sie das Gerät mit dem Ladegerät verbunden, wenn Sie es nicht verwenden.

Laden des Akkus (Abb. E)

- ◆ Stellen Sie vor dem Laden sicher, daß das Gerät ausgeschaltet ist.
- ◆ Setzen Sie das Gerät wie angegeben in die Wandhalterung (17) ein.
- ◆ Verbinden Sie den Stecker (20) des Ladegerätes mit der Ladegerätebuchse (6) hinten am Gerät.
- ◆ Stecken Sie das Ladegerät in die Steckdose.

Die Anzeigelampe am Ladegerät leuchtet auf und bleibt an, solange der Akku mit dem Ladegerät verbunden ist.

- ◆ Lassen Sie das Gerät mindestens 16 Stunden aufladen. Während des Ladevorgangs kann das Ladegerät warm werden. Dies ist normal und kein Anzeichen für einen Fehler. Das Gerät kann ständig am Stromnetz angeschlossen bleiben.
- ◆ Bringen Sie nach dem Trennen des Geräts vom Ladegerät den Ladegerätestecker wieder an.

Achtung! Laden Sie den Akku nicht bei einer Umgebungstemperatur unter 4 °C oder über 40 °C.

Füllen des Flüssigkeitsbehälters (Abb. F)

Füllen Sie das Gerät ausschließlich mit wasserähnlichen Haushaltsreinigern. Füllen Sie das Gerät nicht mit Gels oder weichen Scheuermitteln, da diese das Spendersystem verstopfen.

- ◆ Halten sie das Gerät wie angegeben mit der Düse (3) nach unten weisend über ein Spülbecken.
- ◆ Lösen Sie den Deckel (21) des Flüssigkeitsbehälters und entfernen Sie ihn.
- ◆ Füllen Sie den Behälter (5) mit dem erforderlichen Reinigungsmittel bis zur 'Max'-Linie auf.
- ◆ Bringen Sie den Deckel wieder an und achten Sie darauf, daß er sicher angezogen ist.

Achtung! Bevor das Gerät mit einem anderen Reinigungsmittel aufgefüllt wird, reinigen Sie stets das Gehäuse und spülen Sie das Spendersystem mit sauberem Wasser. Mischen Sie keine Reinigungsmittel.

Achtung! Füllen Sie niemals über die 'Max'-Linie hinaus auf.

Spenderflüssigkeit (Abb. G)

- ◆ Drücken Sie auf den Spenderknopf (2). Die Flüssigkeit wird solange gespendet, wie der Spenderknopf gedrückt gehalten wird.

Achtung! Halten Sie die Flüssigkeit von Ausrüstung mit elektrischen Komponenten wie beispielsweise dem Inneren von Öfen fern.

Ein- und Ausschalten (Abb. G)

- ◆ Zum Einschalten des Geräts mit niedriger Geschwindigkeit stellen Sie den Ein-/Ausschalter auf Position 1.
- ◆ Zum Einschalten des Geräts mit hoher Geschwindigkeit stellen Sie den Ein-/Ausschalter auf Position 2.
- ◆ Zum Ausschalten des Geräts stellen Sie den Ein-/Ausschalter auf Position 0.

Hinweise für optimale Arbeitsergebnisse

Das Gerät kann mit einer Vielzahl von Reinigungsmitteln verwendet werden. Hierzu zählen Badreiniger, KFZ-Reinigungsmittel, Reinigungsmittel für Terrassenmöbel, Teppiche oder andere übliche Haushaltsreiniger. Lesen und befolgen Sie stets die Anweisungen auf dem verwendeten Reinigungsmittel. Verwenden Sie das Gerät nicht zusammen mit scheuernden Reinigungsmitteln.

Achtung! Tragen Sie bei der Verwendung von aggressiven chemischen Reinigungsmitteln Schutzhandschuhe und einen Augenschutz.

- ◆ Vor der Reinigung von Teppichen saugen Sie die Fläche mit einem Staubsauger gründlich ab.
- ◆ Bei stark verschmutzten Teppichen tauchen Sie die Schamponierbürste in ein Reinigungsmittel ein und schamponieren Sie die verschmutzte Fläche. Bewegen Sie das Gerät kreisförmig. Lassen Sie das Gerät beim Betrieb nicht auf einer Stelle. Ist der Schaum verschwunden, lassen Sie den Teppich trocken und saugen Sie ihn anschließend ab.
- ◆ Falls Sie nicht sicher sind, ob Sie das Gerät auf einer bestimmten Fläche verwenden sollten, prüfen Sie die Wirkungsweise zunächst auf einer versteckten Fläche.

Reinigung und Wartung

- ◆ Reinigen Sie regelmäßig die Motoreinheit mit Hilfe eines feuchten Tuches. Verwenden Sie keine scheuernden Reinigungsmittel oder Reinigungsmittel auf Lösungsmittelbasis.
- ◆ Reinigen Sie das Zubehör nach jedem Gebrauch in Seifenwasser.
- ◆ Reinigen Sie das Flüssigkeitsspendersystem nach jedem Gebrauch und vor der Aufbewahrung des Geräts.

Reinigung des Flüssigkeitsbehälters (Abb. F)

- ◆ Entfernen Sie den Deckel (21) des Flüssigkeitsbehälters.
- ◆ Leeren Sie gegebenenfalls den Flüssigkeitsbehälter (5).
- ◆ Wischen Sie das Innere des Flüssigkeitsbehälters mit einem weichen feuchten Lappen aus und spülen Sie mit Wasser nach.

Reinigung der Düse (Abb. H)

- ◆ Lösen Sie die Düse (3) und entfernen Sie sie mit dem Reinigungswerkzeug (18).
- ◆ Tauchen Sie die Düse eine halbe Stunde lang in sauberes warmes Wasser ein.
- ◆ Reinigen Sie die Rillen in der Düse mit einer feinen Synthetikbürste.
- ◆ Bringen Sie die Düse wieder an. Ziehen Sie sie nicht zu fest an.
- ◆ Füllen Sie den Behälter (5) mit sauberem Wasser.
- ◆ Spenden Sie die Flüssigkeit, bis der Behälter leer ist.
- ◆ Wiederholen Sie dies ein- bis zweimal mit sauberem Wasser.

Reinigung des Spendersystems (Abb. H)

- ◆ Lösen Sie die Düse (3) und entfernen Sie sie mit dem Reinigungswerkzeug (18).
- ◆ Füllen Sie den Behälter (5) mit warmem Wasser.
- ◆ Spenden Sie die Flüssigkeit, bis der Behälter leer ist.
- ◆ Wiederholen Sie dies ein- bis zweimal mit warmem Wasser.
- ◆ Bringen Sie die Düse wieder an. Ziehen Sie sie nicht zu fest an.

Beseitigung von Verstopfungen im Spendersystem (Abb. H & I)

- ◆ Füllen Sie den Behälter (5) mit sauberem warmem Wasser bis zur 'Max'-Linie auf.
- ◆ Lösen Sie die Düse (3) und entfernen Sie sie mit dem Reinigungswerkzeug (18).
- ◆ Drücken Sie auf den Spenderknopf (2), während Sie das vordere Ende des Reinigungswerkzeugs (18) wiederholt in das Spenderrohr (22) einführen, bis das Spendersystem von der Verstopfung befreit ist.

Das Spendersystem ist von der Verstopfung befreit, wenn ein Druckfreigabegeräusch zu hören ist und anschließend Wasser aus der Düse austritt.

- ◆ Entfernen Sie das Reinigungswerkzeug. Spenden Sie die Flüssigkeit, bis der Behälter leer ist.
- ◆ Wiederholen Sie dies gegebenenfalls ein- bis zweimal, um den Durchfluß wieder vollständig herzustellen.
- ◆ Bringen Sie die Düse wieder an. Ziehen Sie sie nicht zu fest an.

Umweltschutz



Getrennte Entsorgung. Dieses Produkt darf nicht über den normalen Hausmüll entsorgt werden.

Sollte Ihr Black & Decker Produkt eines Tages erneuert werden müssen, oder falls Sie es nicht weiter verwenden wollen, so darf es nicht über den Hausmüll entsorgt werden. Stellen Sie dieses Produkt zur getrennten Entsorgung bereit.



Durch die getrennte Entsorgung gebrauchter Produkte und Verpackungen können die Materialien recycelt und wiederverwertet werden. Die Wiederverwertung recycelter Materialien schont die Umwelt und verringert die Nachfrage nach Rohstoffen.

Die regionalen Bestimmungen schreiben unter Umständen die getrennte Entsorgung elektrischer Produkte aus dem Haushalt an Sammelstellen oder seitens des Händlers vor, bei dem Sie das neue Produkt erworben haben.

Black & Decker nimmt Ihre ausgedienten Black & Decker Geräte gern zurück und sorgt für eine umweltfreundliche Entsorgung und Wiederverwertung. Um diesen Dienst zu nutzen, schicken Sie bitte Ihr Produkt zu einer Vertragswerkstatt. Hier wird es dann auf unsere Kosten gesammelt.

Die Adresse der zuständigen Black & Decker Vertretung steht in diesem Handbuch, darüber läßt sich die nächstgelegene Vertragswerkstatt ermitteln. Außerdem ist eine Liste der Vertragswerkstätten und aller Kundendienststellen von Black & Decker sowie der zuständigen Ansprechpartner im Internet zu finden unter: www.2helpU.com

Akku (Abb. J & K)



Entsorgen Sie verbrauchte Akkus auf umweltgerechte Weise.

- ◆ Der Akku sollte entladen werden, indem das Gerät solange betrieben wird, bis der Motor stehen bleibt.
- ◆ Verwenden Sie einen Schraubendreher mit flacher Spitze und drücken Sie den Akkudeckel (23) an der Kerbe (24) an der Seite des Deckels hinein, so daß er sich löst und entfernt werden kann.
- ◆ Halten Sie das Akkugehäuse fest, um den Akku aus dem Gerät herauszuziehen.
- ◆ Legen Sie den Akku in eine geeignete Verpackung, um sicherzustellen, daß die Akkuanschlüsse nicht kurzgeschlossen werden können.
- ◆ Zur Wiederverwertung oder umweltverträglichen Entsorgung ist der Akku bei Ihrem Händler oder einer kommunalen Sammelstelle abzugeben.

Achtung! Ist der Akku erst einmal ausgebaut, kann er nicht wieder eingebaut werden.

Technische Daten

		S600
Spannung	V_{DC}	3,6
Gewicht	kg	0,9

EU-Konformitätserklärung

S600

Black & Decker erklärt hiermit, daß diese Geräte entsprechend folgenden Richtlinien und Normen konzipiert wurden:

98/37/EWG, 89/336/EWG, 73/23/EWG, EN 55014, EN 60335, EN 61000

L_{pa} (Schalldruck) < 70 dB(A),

gewichteter Effektivwert der Beschleunigung < 2,5 m/s²



Colin Wills
Director of Engineering
BDCI, 4/F, 2 Dai Wang Street
Tai Po Industrial Estate
Tai Po NT, Hong Kong
1-1-2005

Zur Inanspruchnahme dieser Garantie ist dem Verkäufer bzw. der Vertragswerkstatt ein Kaufnachweis vorzulegen. Der Kaufnachweis muß Kaufdatum und Gerätetyp bescheinigen. Die Adresse des zuständigen Büros von Black & Decker steht in dieser Anleitung, darüber läßt sich die nächstgelegene Vertragswerkstatt ermitteln. Außerdem ist eine Liste der Vertragswerkstätten und aller Kundendienststellen von Black & Decker sowie der zuständigen Ansprechpartner im Internet zu finden unter: **www.2helpU.com**

Bitte besuchen Sie unsere Webseite **www.blackanddecker.de**, um Ihr neues Black & Decker Produkt zu registrieren und über neue Produkte und Sonderangebote aktuell informiert zu werden. Weitere Informationen über die Marke Black & Decker und unsere Produkte finden Sie unter **www.blackanddecker.de**

Garantie

Black & Decker vertraut auf die Qualität der eigenen Geräte und bietet dem Käufer eine außergewöhnliche Garantie. Diese Garantiezusage versteht sich unbeschadet der gesetzlichen Gewährleistungsansprüche und schränkt diese keinesfalls ein. Sie gilt in sämtlichen Mitgliedsstaaten der Europäischen Union und der Europäischen Freihandelszone EFTA.

Tritt innerhalb von 24 Monaten ab Kaufdatum an einem Gerät von Black & Decker ein auf Material- oder Verarbeitungsfehler zurückzuführender Mangel auf, garantiert Black & Decker den Austausch defekter Teile, die Reparatur von Geräten mit üblichem Verschleiß bzw. den Austausch eines mangelhaften Geräts, ohne den Kunden dabei mehr als unbedingt nötig in Anspruch zu nehmen, allerdings vorbehaltlich folgender Ausnahmen:

- ◆ wenn das Gerät gewerblich, beruflich oder im Verleihgeschäft benutzt wurde;
- ◆ wenn das Gerät mißbräuchlich verwendet oder mit mangelnder Sorgfalt behandelt wurde;
- ◆ wenn das Gerät durch irgendwelche Fremdeinwirkung beschädigt wurde;
- ◆ wenn ein unbefugter Reparaturversuch durch anderes Personal als das einer Vertragswerkstatt oder des Black & Decker-Kundendienstes unternommen wurde.

Utilisation prévue

Votre Scumbuster® de Black & Decker a été conçu pour le nettoyage sec et humide.

Ce produit a été conçu uniquement pour une utilisation domestique.

Instructions de sécurité

- ◆ **Attention !** Lors de l'utilisation d'appareils sans fil, observez toujours les consignes de sécurité élémentaires, y compris celles qui suivent afin de réduire les risques d'incendie, de fuite de batterie, de blessures et de dommage matériel.
- ◆ Lisez et observez attentivement les instructions avant d'utiliser l'appareil.
- ◆ Le domaine d'utilisation de l'appareil est décrit dans le présent manuel. Une utilisation de l'appareil autre que celle prévue dans le présent manuel ou l'utilisation d'accessoires autres que ceux recommandés dans le présent manuel pourraient entraîner un risque de blessure.
- ◆ Conservez ce manuel à titre de référence.

Utilisation de l'appareil

- ◆ Quand vous utilisez l'appareil, maintenez les enfants et les animaux à une distance de sécurité.
- ◆ N'utilisez jamais cet appareil près de vapeurs ou de liquides inflammables.
- ◆ N'immergez pas l'appareil dans l'eau.

Après emploi

- ◆ Débranchez le chargeur après emploi et avant de le nettoyer.
- ◆ Non employé, l'appareil doit être rangé à l'intérieur, dans un endroit sec. Ne laissez pas les enfants s'approcher des appareils, même quand ils sont rangés.

Vérifications et réparations

- ◆ Avant d'utiliser l'appareil, vérifiez qu'il n'est pas endommagé et qu'il n'y a pas de pièces défectueuses. Assurez-vous que les pièces et les boutons ne sont pas endommagés et recherchez tout autre facteur qui pourrait nuire à son fonctionnement.
- ◆ N'utilisez pas l'appareil si une pièce est endommagée ou défectueuse.
- ◆ Faites réparer ou remplacer toute pièce endommagée par un réparateur agréé.
- ◆ Vérifiez régulièrement le chargeur pour vous assurer qu'il n'est pas endommagé. Remplacez le chargeur si la fiche est endommagée ou défectueuse.
- ◆ N'essayez jamais d'enlever ou de changer des pièces autres que celles qui sont spécifiées dans ce manuel.

Instructions de sécurité supplémentaires pour les batteries et chargeurs

Batteries

- ◆ Ne tentez jamais de l'ouvrir pour quelque raison que ce soit.
- ◆ Ne mettez pas la batterie en contact avec de l'eau.
- ◆ Ne pas ranger dans des endroits où la température peut être supérieure à 40 °C.
- ◆ Chargez uniquement à température ambiante, entre 4 °C et 40 °C.
- ◆ Chargez uniquement en utilisant le chargeur fourni avec l'outil.
- ◆ Lorsque vous jetez des batteries, suivez les instructions données à la section "Protection de l'environnement".
- ◆ Dans des conditions extrêmes, la batterie peut fuir. Si vous remarquez que la batterie a coulé, procédez comme suit :
 - Nettoyez soigneusement le liquide à l'aide d'un chiffon. Évitez le contact avec la peau.
 - En cas de contact avec la peau ou les yeux, suivez les instructions ci-dessous.

Attention ! Le liquide de la batterie, une solution d'hydroxyde de potassium à 25-30%, est toxique. En cas de contact avec la peau, rincer abondamment à l'eau. Neutraliser avec un acide doux tel que du citron ou du vinaigre. En cas de contact avec les yeux, rincer abondamment à l'eau au moins pendant 10 minutes. Consulter un médecin.

- ◆ N'incinerez pas la batterie.
- ◆ Ne pas charger une batterie endommagée.

Chargeurs

- ◆ Utilisez uniquement votre chargeur Black & Decker pour charger les batteries fournies avec votre outil ou de même type et modèle. D'autres batteries pourraient exploser et causer des dommages ou blessures.
- ◆ Ne tentez jamais de charger des batteries non-rechargeables.
- ◆ Remplacez immédiatement les fils électriques défectueux.
- ◆ Ne mettez pas le chargeur en contact avec de l'eau.
- ◆ N'ouvrez pas le chargeur.
- ◆ Ne testez pas le chargeur.



Le chargeur a été conçu pour être utilisé uniquement à l'intérieur.

Sécurité électrique

Votre chargeur a été conçu pour une tension secteur spécifique. Vérifiez toujours que la tension du secteur correspond à la tension indiquée sur la plaque d'identification.



Votre chargeur est doublement isolé ; par conséquent, aucun câble de masse n'est nécessaire.

Caractéristiques

1. Interrupteur marche/arrêt
2. Bouton de diffusion
3. Buse
4. Tampon et disque de nettoyage
5. Réservoir de liquide
6. Connecteur pour chargeur

Accessoires (fig. A)

Ce produit est fourni avec les accessoires suivants :

7. Brosse à poils pour surfaces étendues : pour le nettoyage énergétique de carreaux muraux et de sol en céramique, surfaces en fibre de verre et en plastique dur
8. Disque à tampons : pour emploi avec les tampons
9. Tampon de frottage doux (blanc) : pour le frottage doux de surfaces étendues, comme les carreaux muraux et de sol en céramique ou le mobilier de jardin
10. Tampon de frottage rugueux (bleu clair) : pour le frottage énergétique de surfaces plus étendues, comme les carreaux muraux et de sol en céramique ou les baignoires et évier (porcelaine ou émail)
11. Tampon de frottage dur (vert) : pour le frottage agressif des surfaces étendues, comme les grilles de barbecue
12. Brosse radiale : pour le nettoyage de dalles de ciment
13. Brosse étroite : pour le nettoyage d'angles et d'endroits difficiles d'accès
14. Brosse à moquette : pour le nettoyage de tapis et de moquette
15. Accessoire flexible : à utiliser avec les brosses et tampons dans les endroits courbes
16. Chariot de transport : pour le rangement portable et commode de l'appareil et des accessoires
17. Support mural : pour ranger l'unité pendant son chargement
18. Tige de nettoyage : pour déboucher le système de diffusion

Installation

Mise en place du support mural sur le mur (fig. B)

Le support mural peut être fixé au mur pour offrir un rangement pratique de l'appareil et lui fournir un point de chargement.

- ◆ Situez le support mural (17) à portée d'une prise de secteur. Fixez le support mural à l'aide de la visserie appropriée.
- ◆ Branchez le chargeur.
- ◆ Insérez le cordon du chargeur dans l'encoche (19) sur le fond du support mural. Laissez suffisamment de longueur de cordon pour brancher la prise de charge (20) à l'appareil lorsqu'il se trouve sur le support mural.

Attention ! Ne fixez pas le support mural directement sur une prise de secteur. Assurez-vous que le cordon présente une boucle lorsque le chargeur est raccordé au secteur.

Montage

Attention ! Avant le montage, mettez l'outil hors tension.

Mise en place et retrait d'un accessoire (fig. C)

Pose

- ◆ En cas d'emploi d'une tampon, montez-le sur le disque à tampons.
- ◆ Alignez l'encoche triangulaire située sur l'accessoire avec l'axe du bloc moteur.
- ◆ Poussez l'accessoire sur l'axe. Enclenchez et vissez l'accessoire rapidement dans le sens horaire.

Retrait

- ◆ Enclenchez et vissez l'accessoire rapidement dans le sens inverse des aiguilles d'une montre et tirez-le hors du bloc moteur.

Mise en place de l'accessoire flexible (fig. D)

L'accessoire flexible (15) doit être placé entre le bloc moteur et l'accessoire.

- ◆ Montez l'accessoire flexible sur l'appareil comme décrit ci avant.
- ◆ Montez l'accessoire sur l'accessoire flexible de l'appareil.

Attention ! N'utilisez jamais un accessoire flexible sans brosse ou tampon. N'utilisez pas l'accessoire flexible pour nettoyer les moquettes.

Utilisation

- ◆ Chargez la batterie pendant au moins 16 heures avant la première utilisation.
- ◆ Placez l'appareil sur le support mural lorsque vous ne l'utilisez pas.
- ◆ Laissez le chargeur connecté à l'appareil lorsque ce dernier n'est pas utilisé.

Chargement de la batterie (fig. E)

- ◆ Assurez-vous que l'appareil est éteint avant tout chargement.
- ◆ Placez l'appareil sur le support mural (17) comme indiqué.
- ◆ Insérez la prise de charge (20) dans le connecteur (6) à l'arrière de l'appareil.
- ◆ Branchez le chargeur.

Le témoin lumineux du chargeur s'allume et reste allumé tant que la batterie est connectée au chargeur.

- ◆ Laissez l'appareil se charger pendant au moins 16 heures.

Le chargeur peut chauffer pendant la charge. Cet état est normal et n'indique pas une défaillance. L'appareil peut rester branché indéfiniment au chargeur.

- ◆ Une fois l'appareil débranché du chargeur, remplacez la prise de charge.

Attention ! Ne chargez pas la batterie à une température ambiante inférieure à 4 °C ou supérieure à 40 °C.

Remplissage du réservoir de liquide (fig. F)

Remplissez l'appareil uniquement avec des nettoyeurs domestiques liquides. Ne remplissez pas l'appareil avec des gels ou des nettoyeurs en granulés qui peuvent bloquer le système de diffusion.

- ◆ Maintenez l'appareil sur un évier avec la buse (3) dirigée vers le bas.
- ◆ Desserrez le bouchon du réservoir de liquide (21) et enlevez-le.
- ◆ Remplissez le réservoir (5) avec le nettoyeur requis jusqu'au repère « max ».
- ◆ Remplacez le bouchon en vous assurant qu'il est bien serré.

Attention ! Avant de remplir l'appareil avec un nettoyeur différent, nettoyez toujours le réservoir et rincez le système de diffusion à l'eau claire. Ne mélangez pas les nettoyeurs.

Attention ! Ne remplissez jamais au-delà du repère « max » du réservoir de liquide.

Diffusion de liquide (fig. G)

- ◆ Appuyez sur le bouton de diffusion (2). Le liquide est diffusé en continu tant que le bouton de diffusion est enfoncé.

Attention ! Ne diffusez pas le liquide en direction d'équipements contenant des composants électriques, ainsi l'intérieur d'un four.

Démarrage et arrêt (fig. G)

- ◆ Pour allumer l'appareil à bas régime, positionnez l'interrupteur marche/arrêt sur 1.
- ◆ Pour allumer l'appareil à haut régime, positionnez l'interrupteur marche/arrêt sur 2.
- ◆ Pour éteindre l'appareil, positionnez l'interrupteur marche/arrêt sur 0.

Conseils pour une utilisation optimale

L'appareil peut être utilisé avec toute une gamme de nettoyeurs, y compris des nettoyeurs pour salles de bains, autos, meubles de patio, moquettes et autres nettoyeurs domestiques courants. Il convient de toujours lire les instructions du fabricant du nettoyeur que vous allez employer.

N'employez pas cet appareil avec des nettoyeurs abrasifs.

Attention ! Portez des gants et des lunettes de protection si vous employez des nettoyeurs chimiques.

- ◆ Avant de nettoyer tapis et moquettes, passez l'aspirateur soigneusement.
- ◆ Pour les tapis ou moquettes salies, trempez la brosse shampooineuse dans une solution nettoyante et shampooinez la partie salie. Déplacez l'appareil par des mouvements circulaires. Ne tenez pas l'appareil sur place pendant qu'il est en marche. Une fois la mousse disparue, laissez-la sécher puis passez l'aspirateur sur la moquette.
- ◆ Si vous n'êtes pas certain d'utiliser cet appareil sur une surface particulière, testez-le d'abord sur une petite pièce discrète.

Entretien et nettoyage

- ◆ Nettoyez régulièrement le bloc moteur à l'aide d'un chiffon humide. N'utilisez pas de produit abrasif ou à base de solvant.
- ◆ Après usage, nettoyez les accessoires dans de l'eau savonneuse.
- ◆ Nettoyez le système de diffusion du liquide après chaque utilisation et avant de ranger l'appareil.

Nettoyage du réservoir de liquide (fig. F)

- ◆ Enlevez le bouchon du réservoir de liquide (21).
- ◆ Videz le réservoir de liquide (5) selon les besoins.
- ◆ Essuyez l'intérieur du réservoir de liquide avec un chiffon doux mouillé et rincez à l'eau.

Nettoyage de la buse (fig. H)

- ◆ Desserrez la buse (3) et retirez-la avec l'outil de nettoyage (18).
- ◆ Immergez la buse pendant une demi heure dans de l'eau claire tiède.
- ◆ Nettoyez les rainures de la buse avec une brosse synthétique fine.
- ◆ Remplacez la buse. Faites attention à ne pas trop serrer.
- ◆ Remplissez le réservoir (5) avec de l'eau claire.
- ◆ Diffusez du liquide afin de vider le réservoir.
- ◆ Répétez cette procédure à 1 ou 2 reprises avec de l'eau claire.

Nettoyage du système de diffusion (fig. H)

- ◆ Desserrez la buse (3) et retirez-la avec l'outil de nettoyage (18).
- ◆ Remplissez le réservoir (5) avec de l'eau tiède.
- ◆ Diffusez du liquide afin de vider le réservoir.
- ◆ Répétez cette procédure à 1 ou 2 reprises avec de l'eau tiède.
- ◆ Remplacez la buse. Faites attention à ne pas trop serrer.

Débouchage du système de diffusion (fig. H & I)

- ◆ Remplissez le réservoir (5) avec de l'eau claire tiède jusqu'au repère « max ».
- ◆ Desserrez la buse (3) et retirez-la avec l'outil de nettoyage (18).
- ◆ Appuyez sur le bouton de diffusion (2) tout en insérant l'extrémité avant de l'outil de nettoyage (18) dans le tube de diffusion (22) de manière répétée jusqu'à déboucher le système de diffusion.

Le système de diffusion est débouché lorsque le son de la libération de pression est audible, suivi de l'expulsion de l'eau via la buse.

- ◆ Retirez l'outil de nettoyage. Diffusez du liquide afin de vider le réservoir.
- ◆ Répétez cette procédure à 1 ou 2 reprises, au besoin, pour restaurer complètement le débit.
- ◆ Remplacez la buse. Faites attention à ne pas trop serrer.

Protection de l'environnement



Collecte séparée. Ce produit ne doit pas être jeté avec les déchets domestiques normaux.

Si vous décidez de remplacer ce produit Black & Decker, ou si vous n'en avez plus l'utilité, ne le jetez pas avec vos déchets domestiques. Rendez-le disponible pour une collecte séparée.



La collecte séparée des produits et emballages usés permet le recyclage des articles afin de les utiliser à nouveau. Le fait d'utiliser à nouveau des produits recyclés permet d'éviter la pollution environnementale et de réduire la demande de matières premières.

Les réglementations locales peuvent permettre la collecte séparée des produits électriques du foyer, dans des déchetteries municipales ou auprès du revendeur vous ayant vendu votre nouveau produit.

Black & Decker fournit un dispositif permettant de collecter et de recycler les produits Black & Decker lorsqu'ils ont atteint la fin de leur cycle de vie. Pour pouvoir profiter de ce service, veuillez retourner votre produit à un réparateur agréé qui se chargera de le collecter pour nous.

Pour connaître l'adresse du réparateur agréé le plus proche de chez vous, contactez le bureau Black & Decker à l'adresse indiquée dans ce manuel. Vous pourrez aussi trouver une liste des réparateurs agréés de Black & Decker et de plus amples détails sur notre service après-vente sur le site Internet à l'adresse suivante : **www.2helpU.com**

Batterie (fig. J & K)



À la fin de leur durée de vie technique, jetez les batteries en respectant l'environnement :

- ◆ Il est préférable de décharger la batterie en faisant fonctionner l'appareil jusqu'à ce que le moteur s'arrête.
- ◆ À l'aide d'un tournevis à tête plate, enfoncez le couvercle de batterie (23) au niveau de l'encoche (24) sur le côté du couvercle (24) afin de le désenclencher et de le retirer.
- ◆ Saisissez le boîtier de la batterie pour la retirer de l'appareil.
- ◆ Placez la batterie dans un emballage adapté pour éviter toute possibilité de court-circuit entre les bornes.
- ◆ Apportez-la à votre distributeur ou à un centre de recyclage local.

Attention ! Une fois retirée, la batterie ne peut plus être remise en place.

Caractéristiques techniques

	S600	
Voltage	V _{DC}	3,6
Poids	kg	0,9

Déclaration de conformité CE

S600

Black & Decker déclare que ces outils sont conformes aux normes :

98/37/CEE, 89/336/CEE, 73/23/CEE, EN 55014, EN 60335, EN 61000

L_{PA} (pression acoustique) < 70 dB(A),
niveau de vibration main/bras < 2,5 m/s²

Colin Wills

Colin Wills

Director of Engineering
BDCI, 4/F, 2 Dai Wang Street
Tai Po Industrial Estate
Tai Po NT, Hong Kong
1-1-2005

Garantie

Black & Decker est confiant dans la qualité de ses produits et vous offre une garantie très étendue. Ce certificat de garantie est un document supplémentaire et ne peut en aucun cas se substituer à vos droits légaux. La garantie est valable sur tout le territoire des Etats Membres de l'Union Européenne et de la Zone de Libre Echange Européenne.

Si un produit Black & Decker s'avère défectueux en raison de matériaux en mauvaises conditions, d'une erreur humaine, ou d'un manque de conformité dans les 24 mois suivant la date d'achat, Black & Decker garantit le remplacement des pièces défectueuses, la réparation des produits usés ou cassés ou remplace ces produits à la convenance du client, sauf dans les circonstances suivantes :

- ◆ Le produit a été utilisé dans un but commercial, professionnel, ou a été loué.
- ◆ Le produit a été mal utilisé ou avec négligence.
- ◆ Le produit a subi des dommages à cause d'objets étrangers, de substances ou à cause d'accidents.
- ◆ Des réparations ont été tentées par des techniciens ne faisant pas partie du service technique de Black & Decker.

Pour avoir recours à la garantie, il est nécessaire de fournir une preuve d'achat au vendeur ou à un réparateur agréé. Pour connaître l'adresse du réparateur agréé le plus proche de chez vous, contactez le bureau Black & Decker à l'adresse indiquée dans ce manuel. Vous pourrez aussi trouver une liste des réparateurs agréés de Black & Decker et de plus amples détails sur notre service après-vente sur le site Internet à l'adresse suivante : **www.2helpU.com**

Visitez notre site Web **www.blackanddecker.fr** pour enregistrer votre nouveau produit Black & Decker et être informé des nouveaux produits et des offres spéciales. Pour plus d'informations concernant la marque Black & Decker et notre gamme de produits, consultez notre site **www.blackanddecker.fr**

Uso previsto

Lo Scumbuster® Black & Decker è stato concepito per interventi di pulitura a secco e con acqua. Questo prodotto è destinato esclusivamente all'uso domestico.

Precauzioni di sicurezza

- ◆ **Attenzione!** Quando si adoperano dei prodotti a batterie, per ridurre il rischio di incendi, fuoriuscita di liquido dalle batterie, infortuni personali e danni materiali, è necessario osservare alcune precauzioni di sicurezza fondamentali, comprese le seguenti.
- ◆ Prima di adoperare l'elettrodomestico, leggere attentamente le istruzioni fornite nel presente manuale.
- ◆ L'utilizzo previsto è quello descritto in questo manuale. L'uso di accessori o attrezzature diversi o l'uso di questo elettrodomestico per scopi diversi da quelli indicati nel presente manuale comportano il rischio di infortuni.
- ◆ Conservare questo manuale di istruzioni per successive consultazioni.

Uso dell'elettrodomestico

- ◆ Quando si usa l'elettrodomestico bambini e animali devono restare a distanza di sicurezza.
- ◆ Non utilizzare l'elettrodomestico in prossimità di liquidi o fumi infiammabili.
- ◆ Non immergere l'elettrodomestico in acqua.

Dopo l'uso

- ◆ Scollegare il caricabatteria dalla presa elettrica dopo l'uso e prima di pulirlo.
- ◆ Quando non è in funzione, l'apparecchio deve essere conservato all'interno, in un luogo asciutto. I bambini non devono avere accesso agli elettrodomestici riposti.

Ispezione e riparazioni

- ◆ Prima dell'uso, verificare che non vi siano componenti danneggiati o difettosi. Verificare anche che non vi siano parti rotte, che gli interruttori non siano danneggiati e che non vi sia nulla che comprometta il funzionamento.
- ◆ Non usare l'elettrodomestico se vi sono elementi danneggiati o difettosi.
- ◆ Eventuali elementi difettosi o danneggiati devono essere sostituiti o riparati da un tecnico autorizzato.
- ◆ Controllare regolarmente che la spina del caricabatteria non sia danneggiata. Sostituire il caricabatteria se la spina è danneggiata o difettosa.
- ◆ Non tentare mai di smontare o sostituire componenti diversi da quelli indicati nel presente manuale.

Istruzioni supplementari sulla sicurezza per batterie e caricatori

Batterie

- ◆ Non tentare mai di aprirle, per nessuna ragione.
- ◆ Non esporre la batteria all'acqua.
- ◆ Non conservarle in ambienti in cui la temperatura può superare i 40 °C.
- ◆ Caricarle solo a temperatura ambiente compresa tra i 4 °C e i 40 °C.
- ◆ Caricare la batteria solo usando il caricabatteria in corredo con l'attrezzo.
- ◆ Prima di smaltire le batterie, consultare le istruzioni riportate nella sezione "Protezione dell'ambiente".
- ◆ In condizioni estreme, la batteria può perdere liquido. Se si rileva la presenza di liquido sulla batteria, procedere come segue:
 - Asciugare con cura il liquido usando un panno. Evitare il contatto con l'epidermide.
 - In caso di contatto con l'epidermide o gli occhi, osservare le seguenti istruzioni.

Attenzione! Il liquido delle batterie, una soluzione al 25-30% di idrossido di potassio, può essere nocivo. In caso di contatto con l'epidermide, sciacquare immediatamente con acqua. Intervenire con una sostanza leggermente acida, come succo di limone o aceto. In caso di contatto con gli occhi, sciacquare con abbondante acqua pulita per almeno 10 minuti. Consultare un medico.

- ◆ Non bruciare la batteria.
- ◆ Non tentare di caricare batterie danneggiate.

Caricabatterie

- ◆ Usate il vostro caricabatteria Black & Decker per caricare le batterie fornite con il vostro utensile. Batterie di altro tipo possono esplodere, provocando danni a persone e cose.
- ◆ Non tentare mai di ricaricare una batteria non ricaricabile.
- ◆ Sostituire immediatamente i cavi difettosi.
- ◆ Non esporre il caricabatteria all'acqua.
- ◆ Non aprire il caricabatteria.
- ◆ Non testare il caricabatteria.



Il caricabatteria è destinato ad essere usato esclusivamente in ambienti chiusi.

Sicurezza elettrica

Il caricabatteria è predisposto per essere alimentato con una specifica tensione. Controllare che la tensione di alimentazione corrisponda a quella indicata sulla targhetta con i dati caratteristici.



Il caricabatteria è provvisto di doppio isolamento che rende superflua la messa a terra.

Caratteristiche

1. Interruttore acceso/spento
2. Pulsante di erogazione
3. Ugello
4. Disco portaspugna e spugna abrasiva
5. Serbatoio del liquido
6. Connettore per caricabatteria

Accessori (fig. A)

Questo prodotto è fornito con i seguenti accessori in dotazione:

7. Spazzola con setole per aree estese: per pulire grandi superfici su pavimenti e pareti con rivestimenti in ceramica, fibra di vetro e superfici di plastica dura.
8. Disco portaspugna: da usarsi con le spugne.
9. Spugna abrasiva morbida (bianca): per la pulizia più delicata di grandi superfici, ad esempio pavimenti e pareti con rivestimenti in ceramica o mobili per esterni.
10. Spugna abrasiva a grana grossa (celeste): per la pulizia con azione abrasiva di grandi superfici, ad esempio pavimenti e pareti con rivestimenti in ceramica o lavelli e vasche da bagno (in porcellana o smaltati)
11. Spugna abrasiva dura (verde): per la pulizia con forte azione abrasiva su grandi superfici come griglie di barbecue.
12. Spazzola radiale: per la pulizia dell'intonaco tra le piastrelle.
13. Spazzola di ridotto spessore: per la pulizia degli angoli e delle aree difficilmente accessibili.
14. Spazzola per tappeti: per pulire i tappeti.
15. Innesto flessibile: per l'impiego di spazzole e spugne abrasive su superfici curve.
16. Contenitore da trasporto: per trasportare e conservare comodamente l'unità e gli accessori.
17. Supporto a parete: per riporre l'unità durante la ricarica.
18. Astina di pulizia: per liberare il sistema di erogazione ostruito.

Installazione

Fissaggio del supporto a parete (fig. B)

La base di carica può essere fissata alla parete per offrire un comodo supporto per riporre e ricaricare l'elettrodomestico.

- ◆ Collocare il supporto a parete (17) in prossimità di una presa della rete elettrica. Fissare il supporto alla parete per mezzo degli adeguati elementi di fissaggio.
- ◆ Inserire la spina del caricabatteria.
- ◆ Inserire il cavo del caricabatteria nella scanalatura (19) sul fondo del supporto a parete. Lasciare una lunghezza sufficiente del cavo per collegare la spina (20) del caricabatteria all'elettrodomestico quando è collocato sul supporto a parete.

Attenzione! Non installare il supporto a parete direttamente sopra la presa elettrica. Verificare che il cavo di alimentazione faccia un'ansa nel punto di collegamento alla presa della rete elettrica.

Montaggio

Attenzione! Prima del montaggio, spegnere l'elettrodomestico.

Montaggio e smontaggio degli accessori (fig. C)

Installazione

- ◆ Per utilizzare una spugna, installarla sul disco portaspugna.
- ◆ Allineare la tacca triangolare dell'accessorio, con l'albero sull'unità motrice.
- ◆ Collocare l'accessorio sull'albero. Innestare a scatto l'accessorio ruotandolo rapidamente in senso orario.

Estrazione

- ◆ Disinnestare a scatto l'accessorio ruotandolo rapidamente in senso antiorario, quindi estrarlo dall'unità motrice.

Installazione dell'innesto flessibile (fig. D)

L'innesto flessibile (15) deve essere installato tra l'unità motrice e l'accessorio.

- ◆ Installare l'innesto flessibile sull'elettrodomestico come descritto precedentemente.
- ◆ Installare l'accessorio sull'innesto flessibile dell'elettrodomestico.

Attenzione! Non utilizzare mai l'innesto flessibile senza una spazzola o una spugna abrasiva installata. Non utilizzare l'innesto flessibile per la pulizia di tappeti.

Uso

- ◆ Prima di usare l'utensile per la prima volta, la batteria deve restare in carica per almeno 16 ore.
- ◆ Collocare l'elettrodomestico sul supporto a parete quando non viene utilizzato.
- ◆ Lasciare l'elettrodomestico collegato al caricabatteria quando non viene utilizzato.

Caricamento della batteria (fig. E)

- ◆ Prima della ricarica, assicurarsi che l'elettrodomestico sia spento.
- ◆ Collocare l'elettrodomestico sul supporto a parete (17), come illustrato.
- ◆ Inserire la spina del caricabatteria (20) nel connettore (6) sul retro dell'elettrodomestico.
- ◆ Inserire la spina del caricabatteria.

La spia sul caricabatteria s'illuminerà e resterà accesa finché la batteria rimane collegata al caricabatteria.

- ◆ Lasciare l'elettrodomestico in carica per almeno 16 ore. Durante la ricarica, il caricabatteria può riscaldarsi. Ciò è normale e non indica alcun problema. L'elettrodomestico può restare attaccato al caricabatteria indefinitamente.
- ◆ Dopo aver scollegato l'elettrodomestico dal caricabatteria, rimettere in posizione la spina di carica.

Attenzione! Non caricare la batteria con temperature ambiente inferiori ai 4 °C o superiori ai 40 °C.

Riempimento del serbatoio del liquido (fig. F)

Riempire l'elettrodomestico esclusivamente con detersivi per ambienti domestici a base acquosa. Non riempire l'elettrodomestico con gel o con creme abrasive che possono intasare il sistema di erogazione.

- ◆ Sostenere l'elettrodomestico sul lavello con l'ugello (3) rivolto verso il basso, come illustrato.
- ◆ Allentare il tappo (21) del serbatoio del liquido e rimuoverlo.
- ◆ Riempire il serbatoio (5) con il detersivo desiderato fino al livello massimo ("max").
- ◆ Applicare nuovamente il tappo stringendolo saldamente.

Attenzione! Prima di riempire l'elettrodomestico con un diverso detersivo, pulire sempre il contenitore e lavare il sistema di erogazione con acqua pulita. Non miscelare detersivi di tipo diverso.

Attenzione! Non riempire mai al di sopra del livello massimo ("max") del serbatoio.

Erogazione del liquido detersivo (fig. G)

- ◆ Premere il pulsante di erogazione (2). Mantenendo premuto il pulsante si avrà una erogazione continua del liquido.

Attenzione! Non distribuire il liquido verso apparati contenenti componenti elettrici, come ad esempio l'interno di forni elettrici.

Avviamento e spegnimento (fig. G)

- ◆ Per azionare l'elettrodomestico a bassa velocità, impostare l'interruttore di accensione in posizione 1.
- ◆ Per azionare l'elettrodomestico ad alta velocità, impostare l'interruttore di accensione in posizione 2.
- ◆ Per spegnere l'elettrodomestico portare l'interruttore on/off di accensione in posizione 0.

Consigli per un'ottima utilizzazione

L'elettrodomestico può essere adoperato con una varietà di detersivi, incluso detersivi per bagni, automobili, mobili da esterno, tappeti e altri di uso comune. Leggere e seguire sempre le istruzioni del produttore del detersivo impiegato.

Non usare l'elettrodomestico con detersivi abrasivi.

Attenzione! Utilizzando detersivi chimici ad azione aggressiva, indossare guanti e protezioni per gli occhi.

- ◆ Prima di pulire i tappeti, spolverare perfettamente la superficie con un aspirapolvere.
- ◆ Per i tappeti macchiati, immergere la spazzola per lo shampoo in una soluzione detergente e pulire l'area macchiata. Spostare l'elettrodomestico in senso circolare. Non tenere l'elettrodomestico in funzione fermo sullo stesso punto. Quando la schiuma è scomparsa, lasciare asciugare e quindi pulire il tappeto con l'aspirapolvere.
- ◆ Se non si è certi del modo di utilizzare questo elettrodomestico su una particolare superficie, fare prima una prova su un'area piccola nascosta.

Pulizia e manutenzione

- ◆ L'unità del motore deve essere pulita regolarmente con un panno umido. Non usare materiali abrasivi o detersivi a base di solventi.
- ◆ Dopo ogni uso, pulire gli accessori in acqua saponata.
- ◆ Dopo ogni uso e prima di riporre l'elettrodomestico, pulire il sistema di erogazione del liquido detergente.

Pulizia del serbatoio del liquido (fig. F)

- ◆ Rimuovere il tappo (21) del serbatoio del liquido.
- ◆ Svotare il serbatoio del liquido (5) secondo necessità.
- ◆ Strofinare l'interno del serbatoio del liquido con un panno soffice umido e sciacquare con acqua.

Pulizia dell'ugello (fig. H)

- ◆ Allentare l'ugello (3) e rimuoverlo utilizzando l'astina di pulizia (18).
- ◆ Immergere l'ugello per mezz'ora in acqua pulita tiepida.
- ◆ Pulire le scanalature dell'ugello con una spazzola sintetica fine.
- ◆ Rimontare l'ugello. Porre attenzione a non stringerlo eccessivamente.
- ◆ Riempire il serbatoio (5) con acqua pulita.
- ◆ Erogare il liquido fino a vuotare il serbatoio.
- ◆ Ripetere questa procedura per 1 o 2 volte con acqua pulita.

Pulizia del sistema di erogazione (fig. H)

- ◆ Allentare l'ugello (3) e rimuoverlo utilizzando l'astina di pulizia (18).
- ◆ Riempire il serbatoio (5) con acqua tiepida.
- ◆ Erogare il liquido fino a vuotare il serbatoio.
- ◆ Ripetere questa procedura per 1 o 2 volte con acqua tiepida.
- ◆ Rimontare l'ugello. Porre attenzione a non stringerlo eccessivamente.

Eliminazione di intasamenti del sistema di erogazione (fig. H & I)

- ◆ Riempire il serbatoio (5) con acqua tiepida pulita fino al livello massimo ("max").
- ◆ Allentare l'ugello (3) e rimuoverlo utilizzando l'astina di pulizia (18).
- ◆ Premere il pulsante di erogazione (2) ed inserire ripetutamente l'estremità anteriore dell'astina di pulizia (18) nel condotto di erogazione (22) fino a liberare completamente il sistema.

Il sistema di erogazione sarà libero quando è avvertibile il rumore del rilascio di pressione seguito dalla fuoriuscita dell'acqua dall'ugello.

- ◆ Rimuovere l'astina di pulizia. Erogare il liquido fino a vuotare il serbatoio.
- ◆ Ripetere la procedura 1 o 2 volte fino a ripristinare il flusso completo.
- ◆ Rimontare l'ugello. Porre attenzione a non stringerlo eccessivamente.

Protezione dell'ambiente



Raccolta differenziata. Questo prodotto non deve essere smaltito con i normali rifiuti domestici.

Nel caso in cui si decida di sostituire l'apparecchio oppure di disfarsene in quanto non più necessario, non dovrà essere smaltito con i normali rifiuti domestici. Smaltire il prodotto tramite raccolta differenziata.



La raccolta differenziata di prodotti e imballaggi usati, consente il riciclaggio e il riutilizzo dei materiali. Riutilizzare i materiali riciclati aiuta a prevenire l'inquinamento ambientale e riduce la richiesta di materie prime.

In base alle normative locali, i servizi per la raccolta differenziata di elettrodomestici possono essere disponibili presso i punti di raccolta municipali o presso il rivenditore, al momento dell'acquisto di un nuovo prodotto.

Black & Decker offre ai suoi clienti un servizio per la raccolta differenziata e la possibilità di riciclare i prodotti Black & Decker che hanno esaurito la loro durata in servizio. Per usufruire del servizio, è sufficiente restituire il prodotto a qualsiasi tecnico autorizzato, incaricato della raccolta per conto dell'azienda.

Per individuare il tecnico autorizzato più vicino, rivolgersi alla sede Black & Decker locale, presso il recapito indicato nel presente manuale. Altrimenti un elenco completo di tutti i tecnici autorizzati Black & Decker e i dettagli completi sui contatti e i servizi post-vendita sono disponibili sul sito Internet: www.2helpU.com

Batteria (fig. J & K)



Le batterie esaurite devono essere smaltite nel totale rispetto dell'ambiente.

- ◆ È preferibile scaricare la batteria facendo funzionare l'elettrodomestico fino a che il motore non si ferma.
- ◆ Utilizzando un cacciavite con punta piatta, spingere il copribatteria (23) fino alla tacca (24) a lato del copribatteria, in modo da sbloccarlo e poterlo rimuovere.
- ◆ Sostenere l'involucro della batteria per estrarre la batteria stessa dall'elettrodomestico.
- ◆ La batteria deve essere imballata in modo da garantire che i terminali non possano essere cortocircuitati.
- ◆ Portare la batteria presso il concessionario o un impianto di riciclaggio locale.

Attenzione! Una volta rimossa, la batteria non può essere più rimontata.

Dati tecnici

	S600	
Tensione	V _{DC}	3,6
Peso	kg	0,9

Dichiarazione CE di conformità

S600

Black & Decker dichiara che questi utensili sono stati costruiti in conformità a:

98/37/CEE, 89/336/CEE, 73/23/CEE, EN 55014, EN 60335,

EN 61000

L_{pA} (rumorosità) < 70 dB(A), vibrazioni mano-braccio < 2,5 m/s²

Colin Wills

Director of Engineering
BDCI, 4/F, 2 Dai Wang Street
Tai Po Industrial Estate
Tai Po NT, Hong Kong
1-1-2005

Garanzia

Certa della qualità dei suoi prodotti, Black & Decker offre una garanzia eccezionale. Il presente certificato di garanzia è complementare ai diritti statutari e non li pregiudica in alcun modo. La garanzia è valida entro il territorio degli Stati membri dell'Unione Europea e dell'EFTA (European Free Trade Area).

Se un prodotto Black & Decker risulta difettoso per qualità del materiale, della costruzione o per mancata conformità entro 24 mesi dalla data di acquisto, Black & Decker garantisce la sostituzione delle parti difettose, provvede alla riparazione dei prodotti se ragionevolmente usati oppure alla loro sostituzione, in modo da ridurre al minimo il disagio del cliente a meno che:

- ◆ Il prodotto non sia stato destinato ad usi commerciali, professionali o al noleggio;
- ◆ Il prodotto non sia stato usato in modo improprio o scorretto;
- ◆ Il prodotto non abbia subito danni causati da oggetti o sostanze estranee oppure incidenti;
- ◆ Il prodotto non abbia subito tentativi di riparazione non effettuati da tecnici autorizzati né dall'assistenza Black & Decker.

Per attivare la garanzia è necessario esibire la prova comprovante l'acquisto al venditore o al tecnico autorizzato. Per individuare il tecnico autorizzato più vicino, rivolgersi alla sede Black & Decker locale, presso il recapito indicato nel presente manuale. Altrimenti un elenco completo di tutti i tecnici autorizzati Black & Decker e i dettagli completi sui contatti e i servizi post-vendita sono disponibili su Internet presso: **www.2helpU.com**

I clienti che desiderano registrare il nuovo prodotto Black & Decker e ricevere gli aggiornamenti sui nuovi prodotti e le offerte speciali, sono invitati a visitare il sito Web (**www.blackanddecker.it**). Ulteriori informazioni sul marchio e la gamma di prodotti Black & Decker sono disponibili all'indirizzo **www.blackanddecker.it**

Gebruik volgens bestemming

Uw Black & Decker Scumbuster® is bedoeld voor natte en droge reinigingswerkzaamheden.
Dit product is uitsluitend bedoeld voor huishoudelijk gebruik.

Veiligheidsvoorschriften

- ◆ **Waarschuwing!** Bij het gebruik van accugevoede apparaten dienen ter bescherming tegen brandgevaar, vrijkomen van accuvloeistof, letsel en materiële schade altijd gepaste veiligheidsmaatregelen in acht te worden genomen, waaronder de volgende veiligheidsvoorschriften.
- ◆ Lees de gehele gebruiksaanwijzing aandachtig door voordat u het apparaat gaat gebruiken.
- ◆ Het bedoelde gebruik wordt in deze handleiding beschreven. Gebruik ter voorkoming van lichamelijk letsel uitsluitend de in deze gebruiksaanwijzing aanbevolen accessoires en hulpstukken. Gebruik het apparaat uitsluitend waarvoor het bedoeld is.
- ◆ Bewaar deze instructies zorgvuldig!

Gebruik van het apparaat

- ◆ Houd kinderen en dieren op een veilige afstand als u het apparaat gebruikt.
- ◆ Gebruik het apparaat nooit in de buurt van brandbare dampen of vloeistoffen.
- ◆ Dompel het apparaat niet in water onder.

Na gebruik

- ◆ Haal na gebruik en voor het reinigen de stekker van de oplader uit het stopcontact.
- ◆ Indien niet in gebruik dient het apparaat op een droge plaats te worden opgeborgen. Kinderen mogen geen toegang hebben tot opgeborgen machines.

Inspectie en reparatie

- ◆ Controleer de machine voor gebruik op beschadigde of defecte onderdelen. Controleer op kapotte onderdelen, beschadigingen aan schakelaars en enige andere zaken die de werking nadelig kunnen beïnvloeden.
- ◆ Gebruik de machine niet als enig onderdeel beschadigd of defect is.
- ◆ Defecte onderdelen dienen door een erkend servicecentrum te worden gerepareerd of vervangen.
- ◆ Controleer regelmatig de stekker van de oplader op beschadigingen. Vervang de oplader als de stekker beschadigd of defect is.
- ◆ Probeer nooit om enig onderdeel anders dan in deze handleiding beschreven te verwijderen of te vervangen.

Aanvullende veiligheidsvoorschriften voor accu's en opladers

Accu's

- ◆ Probeer nooit een accu te openen.
- ◆ Stel de accu niet aan water bloot.
- ◆ Bewaar accu's niet op plaatsen waar de temperatuur 40 °C kan overschrijden.
- ◆ Laad accu's uitsluitend op bij een omgevingstemperatuur tussen 4 °C en 40 °C.
- ◆ Laad accu's uitsluitend op met behulp van de meegeleverde oplader.
- ◆ Volg bij het afdanken van accu's de instructies in de paragraaf "Milieu" op.
- ◆ Onder extreme gebruikskondities kan er vloeistof uit de accu vrijkomen. Als u vloeistof op de accu opmerkt, gaat u als volgt te werk:
 - Verwijder met behulp van een doekje voorzichtig de vloeistof van de accu. Vermijd huidcontact.
 - Als de vloeistof toch in aanraking komt met de huid of de ogen, volgt u de onderstaande instructies op.

Waarschuwing!

De accuvloeistof bestaat uit een 25-30 % oplossing van kaliumhydroxide en kan gevaarlijk zijn. Indien accuvloeistof met de huid in aanraking is gekomen, spoel dan de huid onmiddellijk met water af. Neutraliseer de vloeistof met een zwak zuur zoals citroensap of azijn. Indien accuzuur in de ogen is gekomen, spoel de ogen dan gedurende minimaal 10 minuten met schoon stromend water. Raadpleeg vervolgens een arts.

- ◆ Verbrand de accu nooit.
- ◆ Probeer nooit een beschadigde accu op te laden.

Opladers

- ◆ Gebruik uw Black & Decker oplader uitsluitend voor het opladen van accu's van het meegeleverde type. Andere accu's kunnen barsten, waardoor letsel en materiële schade kunnen ontstaan.
- ◆ Probeer nooit om niet oplaadbare accu's op te laden.
- ◆ Laat een defect netsnoer onmiddellijk vervangen.
- ◆ Stel de oplader niet aan water bloot.
- ◆ Open de oplader niet.
- ◆ Steek geen voorwerpen in het inwendige van de oplader.



De oplader is uitsluitend bedoeld voor gebruik binnenshuis.

Elektrische veiligheid

Uw oplader is ontwikkeld voor een bepaalde netspanning. Controleer altijd of de netspanning overeenkomt met het voltage op het typeplaatje.



Uw oplader is dubbel geïsoleerd; een aardaansluiting is daarom niet noodzakelijk.

Onderdelen

1. Aan/uit-schakelaar
2. Dispenseknop
3. Mondstuk
4. Boenkussen & schijf
5. Vloeistofreservoir
6. Aansluitpunt voor oplader

Accessoires (fig. A)

Dit apparaat wordt geleverd met de volgende hulpstukken:

7. Brede kortharige borstel: voor het grof reinigen van muren en vloeren van keramische tegels en oppervlaktes van glasvezel en hard plastic
8. Kussenschijf: voor gebruik met kussens
9. Fijn boenkussen (wit): voor het fijner boenen van grote oppervlaktes, zoals muren en vloeren van keramische tegels of tuinmeubelen
10. Grof boenkussen (lichtblauw): voor het grof boenen van grotere oppervlaktes, zoals muren en vloeren van keramische tegels of badkuipen en gootstenen (porselein of email)
11. Grof boenkussen (groen): voor agressief scrubben op grote oppervlaktes, zoals barbecueroosters
12. Radiaalborstel: voor het reinigen van tegelvoegen
13. Smalle borstel: voor het schoonmaken van hoeken en moeilijk bereikbare plaatsen
14. Tapijtborstel: voor tapijtreiniging
15. Flexibel hulpstuk voor gebruik van borstels en schuurkussens in gebogen plaatsen
16. Draagwagentje: voor het dragen en het handig opslaan van het apparaat en de hulpstukken
17. Muurbeugel voor opslag van de eenheid tijdens het opladen
18. Schoonmaakstok voor het ontstoppen van het vloeistofsysteem

Installatie

Monteren van de muurbeugel aan de muur (fig. B)

De wandbeugel kan aan de muur worden gemonteerd om het apparaat een geschikte opbergplaats en oplaadpunt te geven.

- ◆ Plaats de muurbeugel (17) binnen het bereik van een netvoeding. Plaats de muurbeugel met behulp van het juiste gereedschap.
- ◆ Steek de stekker van de oplader in het stopcontact.
- ◆ Steek de snoer van de oplader in de groef (19) in de bodem van de muurbeugel. Houd voldoende lengte van de snoer over voor het verbinden van de oplaadstekker (20) aan het apparaat wanneer deze in de muurbeugel is geplaatst.

Waarschuwing! Plaats de wandbeugel niet direct over een netvoeding. Verzekert uzelf ervan dat de snoer een lus heeft wanneer de oplader op het elektriciteitsnet is aangesloten.

Assemblage

Waarschuwing! Zorg vóór aanvang van de montage dat het apparaat is uitgeschakeld.

Monteren en verwijderen van een hulpstuk (fig. C)

Montage

- ◆ Plaats bij gebruik van een kussen het kussen op de kussenschijf.
- ◆ Breng de driehoekige nok op het hulpstuk in lijn met de as op de motoreenheid.
- ◆ Plaats het hulpstuk op de schacht. Klik en draai het hulpstuk snel met de klok mee (rechtsom).

Verwijderen

- ◆ Klik en draai het hulpstuk snel tegen de klok in (linksom) en trek het van de motoreenheid.

Plaatsen van het flexibele hulpstuk (fig. D)

Het flexibele hulpstuk (15) dient te worden geplaatst tussen de motoreenheid en het hulpstuk.

- ◆ Plaats het flexibele hulpstuk op het apparaat zoals hierboven beschreven.
- ◆ Plaats het hulpstuk op het flexibele hulpstuk.

Waarschuwing! Gebruik het flexibele hulpstuk nooit zonder het plaatsen van een borstel of schuurkussen. Gebruik het flexibele hulpstuk niet voor het reinigen van een tapijt.

Gebruik

- ◆ Voor het eerste gebruik moet de accu ten minste 16 uur worden opgeladen.
- ◆ Plaats het apparaat als het niet wordt gebruikt in de muurbeugel.
- ◆ Laat het apparaat altijd aangesloten op de oplader wanneer het niet wordt gebruikt.

Opladen van de accu (fig. E)

- ◆ Controleer voor het opladen, of het apparaat is uitgeschakeld.
- ◆ Plaats het apparaat in de muurbeugel (17) zoals afgebeeld.
- ◆ Steek de stekker van de oplader (20) in de connector (6) aan de achterzijde van het apparaat.
- ◆ Steek de stekker van de oplader in het stopcontact.

Het indicatielampje op de oplader gaat branden en blijft branden zolang de accu aan de oplader is verbonden.

◆ Laat het apparaat ten minste 16 uur opladen. Tijdens het opladen kan de oplader warm worden. Dit is normaal en het betekent niet dat er problemen zijn. Het apparaat kan voor onbepaalde tijd op de oplader aangesloten blijven.

- ◆ Na ontkoppeling van het apparaat met de oplader plaatst u de oplaadstekker weer terug.

Waarschuwing! Laad de accu niet op bij omgevingstemperaturen onder 4 °C of boven 40 °C.

Vullen van het vloeistofreservoir (fig. F)

Vul het apparaat alleen met schoonmaakmiddelen die zo vloeibaar zijn als water. Vul het apparaat niet met gels of zachte scrubmiddelen want zij verstopen het vloeistofsysteem.

- ◆ Houd het apparaat boven een gootsteen met het mondstuk (3) naar beneden gericht zoals afgebeeld.
- ◆ Draai de dop van het vloeistofreservoir (21) los en verwijder hem.
- ◆ Vul het reservoir (5) met het gewenste schoonmaakmiddel tot aan de "max"-streep.
- ◆ Breng de dop weer aan en zorg ervoor dat hij goed dicht is dichtgedraaid.

Waarschuwing! Voordat het apparaat gevuld wordt met een ander schoonmaakmiddel moet de behuizing altijd worden schoongemaakt en het vloeistofsysteem met schoon water worden gereinigd. Vermeng geen schoonmaakmiddelen.

Waarschuwing! Vul nooit boven de "max"-streep op het vloeistofreservoir.

Vloeistofgebruik (fig. G)

- ◆ Druk op de dispenseknop (2). De vloeistof zal worden verstrekt zo lang als de knop wordt ingedrukt.

Waarschuwing! Verstrek geen vloeistof in de richting van apparatuur met elektrische componenten, zoals de binnenkant van ovens.

Aan- en uitschakelen (fig. G)

- ◆ Om het apparaat in te schakelen op een lage snelheid, zet u de aan/uit-schakelaar in positie 1.
- ◆ Om het apparaat in te schakelen op een hoge snelheid, zet u de aan/uit-schakelaar in positie 2.
- ◆ Om het apparaat uit te schakelen, zet u de aan/uit-schakelaar in positie 0.

Tips voor optimaal gebruik

Het apparaat kan met een verscheidenheid aan reinigingsmiddelen, zoals reinigingsmiddelen voor de badkamer, de auto, tuinmeubelen, tapijt en andere algemene huishoudelijke middelen, worden gebruikt.

Lees altijd de instructies van de fabrikant op het door u gebruikte reinigingsmiddel en volg deze op. Gebruik het apparaat niet met schurende reinigingsmiddelen.

Waarschuwing! Draag bij het gebruik van bijtende chemische reinigingsmiddelen handschoenen en een veiligheidsbril.

- ◆ Stofzuig alvorens u tapijten gaat reinigen het oppervlak grondig.
- ◆ Dip bij vervuilde tapijten de shampooborstel in een reinigingsoplossing en shampoo het vervuilde gedeelte. Maak met het apparaat cirkelvormige bewegingen. Houd het apparaat niet op één plaats terwijl deze draait. Laat het tapijt zodra het schuim is verdwenen drogen en stofzuig daarna het tapijt.
- ◆ Als u niet zeker bent over het gebruik van het apparaat op een bepaald oppervlak, test het dan eerst op een klein onopvallend stukje.

Reinigen en onderhoud

- ◆ Reinig regelmatig de motoreenheid met een vochtige doek. Gebruik geen schuur- of oplosmiddel.
- ◆ Reinig na ieder gebruik de hulpstukken in een sopje.
- ◆ Reinig het vloeistofsysteem na elk gebruik en voor opslag.

Reinigen van het vloeistofreservoir (fig. F)

- ◆ Verwijder de dop van het vloeistofreservoir (21).
- ◆ Ledig het vloeistofreservoir (5) indien nodig.
- ◆ Veeg de binnenkant van het vloeistofreservoir met een zachte, vochtige doek en spoel met water.

Reinigen van het mondstuk (fig. H)

- ◆ Draai het mondstuk (3) los en verwijder het met behulp van het reinigingsinstrument (18).
- ◆ Dompel het mondstuk een half uur onder in schoon, warm water.
- ◆ Reinig de groeven van het mondstuk met behulp van een fijne synthetische borstel.
- ◆ Breng het mondstuk weer aan. Let op: draai niet te stevig vast.
- ◆ Vul het reservoir (5) met schoon water.
- ◆ Gebruik de vloeistof tot het reservoir leeg is.
- ◆ Herhaal deze procedure 1 tot 2 maal met schoon water.

Reinigen van het vloeistofsysteem (fig. H)

- ◆ Draai het mondstuk (3) los en verwijder het met behulp van het reinigingsinstrument (18).
- ◆ Vul het reservoir (5) met warm water.
- ◆ Gebruik de vloeistof tot het reservoir leeg is.
- ◆ Herhaal deze procedure 1 tot 2 maal met warm water.
- ◆ Breng het mondstuk weer aan. Let op: draai niet te stevig vast.

Ontstoppen van het vloeistofsysteem (fig. H & I)

- ◆ Vul het reservoir (5) met schoon warm schoonmaakmiddel tot aan de "max"-streep.
- ◆ Draai het mondstuk (3) los en verwijder het met behulp van het reinigingsinstrument (18).
- ◆ Duw op de dispenseknop (2) terwijl de voorkant van het reinigingsinstrument (18) herhaaldelijk in de vloeistofbuis (22) wordt gestoken totdat het vloeistofsysteem ontstopt is.

Het vloeistofsysteem is ontstopt wanneer u het geluid van vrijgegeven druk hoort, gevolgd door water dat het mondstuk uit stroomt.

- ◆ Verwijder het reinigingsinstrument. Gebruik de vloeistof tot het reservoir leeg is.
- ◆ Herhaal deze procedure 1 tot 2 maal indien nodig om de volledige toevoer te herstellen.
- ◆ Breng het mondstuk weer aan. Let op: draai niet te stevig vast.

Milieu



Gescheiden inzameling. Dit product mag niet met het gewone huishoudelijke afval worden weggegooid.

Wanneer uw oude Black & Deckerproduct aan vervanging toe is of het u niet langer van dienst kan zijn, gooi het dan niet bij het huishoudelijk afval. Zorg ervoor dat het product gescheiden kan worden ingezameld.



Door gebruikte producten en verpakkingen gescheiden in te zamelen, worden de materialen gerecycled en opnieuw gebruikt. Hergebruik van gerecyclede materialen voorkomt milieuvervuiling en vermindert de vraag naar grondstoffen.

Inzamelpunten voor gescheiden inzameling van elektrische huishoudproducten bij gemeentelijke vuilnisbergen of bij de verkoper waar u een nieuw product koopt, kunnen aan plaatselijke voorschriften gebonden zijn.

Black & Decker biedt de mogelijkheid tot inzamelen en recyclen van afgedankte Black & Decker producten. Om gebruik van deze service te maken, dient u het product aan een van onze servicecentra te sturen, die voor ons de inzameling verzorgen.

U kunt het adres van het dichtstbijzijnde servicecentrum opvragen via de adressen op de achterzijde van deze handleiding. U kunt ook een lijst van onze servicecentra en meer informatie m.b.t. onze klantenservice vinden op het volgende Internet-adres: www.2helpU.com

Accu (fig. J & K)



Versleten batterijen dienen op milieubewuste wijze te worden verwijderd:

- ◆ Maak bij voorkeur de accu leeg door het apparaat te gebruiken tot de motor stopt.
- ◆ Druk met behulp van een schroevendraaier met vlakke kop het accudeksel (23) aan de inkeping (24) naar de zijde van de deksel zodanig in dat het deksel loskomt en kan worden verwijderd.
- ◆ Trek met behulp van de accubehuizing de accu uit het apparaat.
- ◆ Plaats de accu in een geschikte verpakking, zodat de contacten niet kunnen worden kortgesloten.
- ◆ Breng de accu naar uw handelaar of naar een plaatselijk verwerkingscentrum voor klein chemisch afval.

Waarschuwing! Eenmaal verwijderd kan de accu niet worden teruggeplaatst.

Technische gegevens

	S600	
Spanning	V_{DC}	3,6
Gewicht	kg	0,9

EG-verklaring van overeenstemming

S600

Black & Decker verklaart dat deze machines in overeenstemming zijn met:

98/37/EEG, 89/336/EEG, 73/23/EEG, EN 55014, EN 60335, EN 61000

L_{pA} (geluidsdruk) < 70 dB(A), L_{WA} gewogen kwadratische gemiddelde waarde van de versnelling < 2,5 m/s²

Colin Willis
Director of Engineering
BDCI, 4/F, 2 Dai Wang Street
Tai Po Industrial Estate
Tai Po NT, Hong Kong
1-1-2005

Garantie

Black & Decker heeft vertrouwen in zijn producten en biedt een uitstekende garantie. Deze garantiebepalingen vormen een aanvulling op uw wettelijke rechten en beperken deze niet. De garantie geldt in de lidstaten van de Europese Unie en de Europese Vrijhandelsassociatie.

Mocht uw Black & Decker product binnen 24 maanden na datum van aankoop defect raken tengevolge van materiaal- of constructiefouten, dan garanderen wij de kosteloze vervanging van defecte onderdelen, de reparatie van het product of de vervanging van het product, tenzij:

- ◆ Het product is gebruikt voor handelsdoeleinden, professionele toepassingen of verhuurdoeleinden;
- ◆ Het product onoordeelkundig is gebruikt;
- ◆ Het product is beschadigd door invloeden van buitenaf of door een ongeval;
- ◆ Reparaties zijn uitgevoerd door anderen dan onze servicecentra of Black & Decker personeel.

Om een beroep op de garantie te doen, dient u een aankoopbewijs te overhandigen aan de verkoper of een van onze servicecentra. U kunt het adres van het dichtstbijzijnde servicecentrum opvragen via de adressen op de achterzijde van deze handleiding. U kunt ook een lijst van onze servicecentra en meer informatie m.b.t. onze klantenservice vinden op het volgende Internet-adres: **www.2helpU.com**

Meld u aan op onze website **www.blackanddecker.nl** om te worden geïnformeerd over nieuwe producten en speciale aanbiedingen. Verdere informatie over het merk Black & Decker en onze producten vindt u op **www.blackanddecker.nl**

Finalidad

Su Scumbuster® de Black & Decker ha sido diseñado para trabajos de limpieza en seco y en mojado. Este producto está pensado únicamente para consumo doméstico.

Instrucciones de seguridad

- ◆ **¡Advertencia!** Cuando use aparatos que funcionen con batería, debe adoptar siempre las precauciones de seguridad básicas, incluidas las siguientes, a fin de reducir el riesgo de incendio, pérdida del líquido de las baterías, lesiones personales y daños materiales.
- ◆ Lea completamente este manual antes de utilizar el aparato.
- ◆ En este manual se explica el uso previsto para este aparato. El uso de otros accesorios o adaptadores, o la propia utilización de este aparato en cualquier forma diferente de las recomendadas en este manual de instrucciones, puede constituir un riesgo de lesiones a las personas.
- ◆ Conserve este manual a mano para consultas posteriores.

Utilización del aparato

- ◆ Cuando utilice este aparato, mantenga a los niños y animales a una distancia de seguridad.
- ◆ No utilice nunca el aparato cerca de humos o líquidos inflamables.
- ◆ No sumerja el aparato en el agua.

Cuando acabe de utilizar el aparato

- ◆ Desenchufe el cargador después de utilizar el aparato y antes de limpiarlo.
- ◆ Cuando no esté siendo utilizado, el aparato debe guardarse en un lugar seco en el interior. Los niños no deben tener acceso a los aparatos guardados.

Inspección y reparaciones

- ◆ Antes de utilizarlo, revise el aparato para ver si está dañado o tiene piezas defectuosas. Compruebe si hay alguna pieza rota, algún interruptor dañado o cualquier cosa que pudiera afectar a su funcionamiento.
- ◆ No utilice el aparato si hay alguna pieza dañada o defectuosa.
- ◆ Encargue al servicio técnico autorizado que repare o sustituya las piezas defectuosas o averiadas.
- ◆ Compruebe periódicamente el estado del enchufe del cargador. Sustituya el cargador si el enchufe está dañado o defectuoso.
- ◆ No intente nunca extraer o sustituir ninguna de las piezas que no sean las especificadas en este manual.

Instrucciones de seguridad adicionales para baterías y cargadores

Baterías

- ◆ Nunca, por ningún motivo, trate de abrirla.
- ◆ No exponga la batería al agua.
- ◆ No las almacene en lugares donde la temperatura pueda superar los 40 °C.
- ◆ Cargue las baterías únicamente a temperaturas entre 4 °C y 40 °C.
- ◆ Recargue utilizando únicamente el cargador suministrado con la herramienta.
- ◆ Cuando deseche las baterías, siga las instrucciones indicadas en la sección "Protección del medio ambiente".
- ◆ Bajo condiciones extremas, la batería podría perder líquido. Si observa que la batería ha perdido líquido, proceda del modo siguiente:
 - Limpie cuidadosamente el líquido con un paño. Evite el contacto con la piel.
 - En caso de producirse contacto con la piel o los ojos, siga estas instrucciones.

¡Atención! El líquido de la batería es una solución con un 25-30% de hidróxido de potasio, y puede resultar nocivo. En caso de que entre en contacto con la piel, lávese inmediatamente con agua. Neutralícelo con un ácido suave como zumo de limón o vinagre. En caso de contacto con los ojos, láveselos con abundante agua limpia durante, al menos, 10 minutos. Consulte a un médico.

- ◆ No arroje la batería al fuego.
- ◆ No intente cargar baterías en mal estado.

Cargadores

- ◆ Use el cargador Black & Decker únicamente para cargar baterías del tipo suministrado. Otras baterías podrían estallar, causando daños y lesiones personales.
- ◆ No intente nunca cargar baterías no recargables.
- ◆ Sustituya inmediatamente los cables defectuosos.
- ◆ No exponga el cargador al agua.
- ◆ No abra el cargador.
- ◆ No manipule el cargador.



El cargador está pensado únicamente para su uso en interiores.

Seguridad eléctrica

El cargador ha sido diseñado para una tensión de red determinada. Compruebe siempre que la tensión de la red corresponda al valor indicado en la placa de características.



El cargador lleva un doble aislamiento; por lo tanto no requiere una toma a tierra.

Características

1. Conmutador ON/OFF (encendido/apagado)
2. Botón dispensador
3. Boquilla
4. Almohadilla limpiadora y disco
5. Depósito de líquido
6. Conector del cargador

Accesorios (fig. A)

Este producto se suministra con los accesorios siguientes:

7. Cepillo de cerdas para zonas amplias: para limpiezas a fondo de paredes y suelos de azulejos cerámicos, superficies de fibra de vidrio y plástico duro
8. Disco para almohadillas: para usar con las almohadillas
9. Almohadilla de limpieza suave (blanca): para limpiezas más suaves de superficies grandes, como paredes y suelos de azulejos cerámicos o muebles de exterior
10. Almohadilla de limpieza rugosa (azul claro): para limpiezas a fondo de superficies más grandes, como paredes y suelos de azulejos cerámicos o bañeras y fregaderos (porcelana o esmalte)
11. Almohadilla de limpieza fuerte (verde): para limpiezas a fondo de superficies grandes, como parrillas de barbacoas
12. Cepillo radial: para limpieza de azulejos con lechada
13. Cepillo estrecho: para limpieza de esquinas y lugares de difícil alcance
14. Cepillo para alfombras: para limpieza de alfombras
15. Adaptador flexible: para la utilización de cepillos y almohadillas de limpieza en lugares curvos
16. Carrito de transporte: para trasladar y guardar cómodamente la unidad y los accesorios
17. Soporte mural: para almacenar la unidad durante la carga
18. Varilla de limpieza: para desatascar el sistema dispensador

Instalación

Montaje del soporte mural a la pared (fig. B)

Para obtener un lugar de carga y almacenamiento adecuados del aparato, es posible instalar el soporte mural.

- ◆ Sitúe el soporte mural (17) al alcance del suministro de red. Fije el soporte mural con los elementos de fijación adecuados.
- ◆ Enchufe el cargador.
- ◆ Introduzca el cable del cargador en la ranura (19) de la parte inferior del soporte mural. Deje la longitud de cable suficiente para conectar el enchufe del cargador (20) al aparato cuando lo coloque en el soporte mural.

¡Advertencia! No instale el soporte mural directamente sobre un suministro de red. Asegúrese de que el cable tenga un bucle cuando el cargador se conecte a la red eléctrica.

Montaje

¡Advertencia! Antes del montaje, apague la herramienta.

Colocación y retirada de accesorios (fig. C)

Colocación

- ◆ Si usa una almohadilla, colóquela en el disco para almohadillas
- ◆ Alinee la muesca triangular del accesorio con el eje del cuerpo del motor.
- ◆ Coloque el accesorio en el eje. Encaje y gire el accesorio rápidamente en el sentido de las agujas del reloj.

Retirada

- ◆ Encaje y gire el accesorio rápidamente en el sentido contrario a las agujas del reloj y sáquelo del cuerpo del motor.

Colocación del adaptador flexible (fig. D)

El adaptador flexible (15) debe encajarse entre el cuerpo del motor y el accesorio.

- ◆ Coloque el adaptador flexible en el aparato según se ha descrito anteriormente.
- ◆ Coloque el accesorio en el adaptador flexible del aparato.

¡Advertencia! Nunca utilice el adaptador flexible sin colocar antes un cepillo o almohadilla de limpieza. No utilice el adaptador flexible para la limpieza de alfombras.

Uso

- ◆ Antes del primer uso, cargue la batería durante 16 horas como mínimo.
- ◆ Coloque el aparato en el soporte mural siempre que no se esté utilizando.
- ◆ Deje el aparato conectado al cargador siempre que éste no se esté utilizando.

Carga de la batería (fig. E)

- ◆ Antes de cargar, asegúrese de que el aparato esté apagado.
- ◆ Coloque el aparato en el soporte mural (17) como se indica.
- ◆ Inserte el enchufe del cargador (20) en el conector (6) de la parte trasera del aparato.
- ◆ Enchufe el cargador.

El piloto del cargador se encenderá y permanecerá encendido mientras la batería esté conectada al cargador.

◆ Deje que el aparato se cargue durante al menos 16 horas. Durante la carga, el cargador puede llegar a calentarse. Esto es normal y no constituye ningún problema.

El aparato puede dejarse conectado al cargador indefinidamente.

- ◆ Una vez que haya desconectado el aparato del cargador, vuelva a colocar el tapón de carga.

¡Advertencia! No cargue la batería a una temperatura ambiente inferior a 4 °C o superior a 40 °C.

Llenado del depósito de líquido (fig. F)

Llene el aparato sólo con productos de limpieza domésticos acuosos. No llene el aparato con geles ni limpiadores granulados suaves ya que éstos harán que se atasque el sistema dispensador.

- ◆ Mantenga el aparato sobre un fregadero con la boquilla (3) orientada hacia abajo como se muestra.
- ◆ Afloje el tapón del depósito de líquido (21) y retírelo.
- ◆ Llene el depósito (5) con el producto de limpieza adecuado hasta la línea "máx".
- ◆ Vuelva a colocar el tapón, asegurándose de que quede firmemente apretado.

¡Advertencia! Antes de llenar el aparato con un producto de limpieza distinto, limpie siempre la carcasa y aclare el sistema dispensador con agua limpia. No mezcle productos de limpieza.

¡Advertencia! Nunca llene por encima de la línea "máx" del depósito de líquido.

Dispensación de líquido (fig. G)

- ◆ Pulse el botón dispensador (2). El líquido seguirá saliendo mientras mantenga pulsado este botón.

¡Advertencia! No dispense el líquido hacia equipos que contengan componentes eléctricos, como el interior de un horno.

Encendido y apagado (fig. G)

- ◆ Para encender el aparato a velocidad baja, sitúe el interruptor de encendido/apagado en la posición 1.
- ◆ Para encender el aparato a velocidad alta, sitúe el interruptor de encendido/apagado en la posición 2.
- ◆ Para apagar el aparato, sitúa el interruptor de encendido/apagado en la posición 0.

Consejos para un uso óptimo

El aparato se puede usar con una variedad de productos de limpieza, incluidos limpiadores para baños, coches, muebles de jardín, alfombras y otros limpiadores corrientes de uso doméstico. Lea siempre detenidamente y siga las instrucciones del fabricante del producto de limpieza que utilice. No use el aparato con limpiadores abrasivos.

¡Advertencia! Lleve guantes y gafas protectoras cuando use limpiadores químicos corrosivos.

- ◆ Antes de limpiar las alfombras, pase el aspirador a fondo por toda la superficie.
- ◆ Para las alfombras manchadas, sumerja el cepillo de enjabonar en una solución de limpieza y enjabone la zona manchada. Mueva el aparato circularmente. No mantenga el aparato en un solo sitio mientras esté funcionando. Una vez que la espuma haya desaparecido, deje secar y vuelva a pasar el aspirador por la alfombra.
- ◆ Si no está seguro de si debe utilizar este aparato en una determinada superficie, primero haga una prueba en una pequeña zona que pase desapercibida.

Limpieza y mantenimiento

- ◆ Limpie periódicamente el cuerpo del motor con un paño húmedo. No utilice ninguna sustancia limpiadora abrasiva o que contenga disolventes.
- ◆ Después de cada uso, limpie los accesorios en agua jabonosa.
- ◆ Limpie el sistema dispensador después de cada uso y antes del almacenamiento.

Limpieza del depósito de líquido (fig. F)

- ◆ Retire el tapón del depósito de líquido (21).
- ◆ Vacíe el depósito de líquido (5) según sea necesario.
- ◆ Limpie el interior del depósito de líquido con un paño suave húmedo y aclare con agua.

Limpieza de la boquilla (fig. H)

- ◆ Afloje la boquilla (3) y retírela utilizando la herramienta de limpieza (18).
- ◆ Sumerja la boquilla en agua tibia limpia durante media hora.
- ◆ Limpie las ranuras de la boquilla con ayuda de un cepillo sintético fino.
- ◆ Vuelva a colocar la boquilla. Tenga cuidado de no apretar en exceso.
- ◆ Llene el depósito (5) de agua limpia.
- ◆ Dispense el líquido hasta que se vacíe el depósito.
- ◆ Repita este procedimiento 1 ó 2 veces con agua limpia.

Limpieza del sistema dispensador (fig. H)

- ◆ Afloje la boquilla (3) y retírela utilizando la herramienta de limpieza (18).
- ◆ Llene el depósito (5) de agua tibia.
- ◆ Dispense el líquido hasta que se vacíe el depósito.
- ◆ Repita este procedimiento 1 ó 2 veces con agua tibia.
- ◆ Vuelva a colocar la boquilla. Tenga cuidado de no apretar en exceso.

Desatasco del sistema dispensador (fig. H & I)

- ◆ Llene el depósito (5) con agua tibia limpia hasta la línea "máx".
- ◆ Afloje la boquilla (3) y retírela utilizando la herramienta de limpieza (18).
- ◆ Pulse repetidas veces el botón dispensador (2) mientras inserta el extremo delantero de la herramienta de limpieza (18) en el tubo dispensador (22) hasta que el sistema dispensador se desatasque.

El sistema dispensador se desatasca cuando se escucha el sonido de liberación de presión, seguido de un chorro de agua que sale de la boquilla.

- ◆ Retire la herramienta de limpieza. Dispense el líquido hasta que se vacíe el depósito.
- ◆ Repita este procedimiento 1 ó 2 veces según sea necesario para restaurar todo el flujo.
- ◆ Vuelva a colocar la boquilla. Tenga cuidado de no apretar en exceso.

Protección del medio ambiente



Separación de desechos. Este producto no debe desecharse con la basura doméstica normal.

Si llega el momento de reemplazar su producto Black & Decker o éste ha dejado de tener utilidad para usted, no lo deseche con la basura doméstica normal. Asegúrese de que este producto se deseche por separado.



La separación de desechos de productos usados y embalajes permite que los materiales puedan reciclarse y reutilizarse. La reutilización de materiales reciclados ayuda a evitar la contaminación medioambiental y reduce la demanda de materias primas.

La normativa local puede prever la separación de desechos de productos eléctricos de uso doméstico en centros municipales de recogida de desechos o a través del distribuidor cuando adquiere un nuevo producto.

Black & Decker proporciona facilidades para la recogida y el reciclado de los productos Black & Decker que hayan llegado al final de su vida útil. Para hacer uso de este servicio, devuelva su producto a cualquier servicio técnico autorizado, que lo recogerá en nuestro nombre.

Pueden consultar la dirección de su servicio técnico más cercano poniéndose en contacto con la oficina local de Black & Decker en la dirección que se indica en este manual. Como alternativa, puede consultar en Internet la lista de servicios técnicos autorizados e información completa de nuestros servicios de posventa y contactos en la siguiente dirección:

www.2helpU.com

Batería (fig. J & K)



Al final de su vida útil, deseche las baterías con el debido respeto al medio ambiente.

- ◆ Preferiblemente, descargue la batería haciendo funcionar el aparato hasta que se pare el motor.
- ◆ Utilizando un destornillador de punta plana, empuje la tapa de la batería (23) hacia dentro en la ranura (24) hacia el lateral de la tapa de forma que se suelte y pueda retirarla.
- ◆ Sujete la cubierta de la batería para sacarla del aparato.
- ◆ Coloque la batería en un embalaje adecuado para garantizar que sus bornes no puedan entrar en cortocircuito.
- ◆ Entregue las baterías al servicio posventa de Black & Decker o deposítelas en un punto local de reciclado.

¡Advertencia! Una vez extraída, no se puede volver a montar la batería.

Características técnicas

	S600	
Voltaje	V _{DC}	3,6
Peso	kg	0,9

Declaración CE de conformidad

S600

Black & Decker certifica que estas herramientas han sido construidas de acuerdo a las normas siguientes:

98/37/CEE, 89/336/CEE, 73/23/CEE, EN 55014, EN 60335,

EN 61000

L_{PA} (presión acústica): < 70 dB(A), valor cuadrático medio ponderado en frecuencia de la aceleración < 2,5 m/s²

Colin Willis
 Director of Engineering
 BDCI, 4/F, 2 Dai Wang Street
 Tai Po Industrial Estate
 Tai Po NT, Hong Kong
 1-1-2005

Garantía

Black & Decker confía plenamente en la calidad de sus productos y ofrece una garantía extraordinaria. Esta declaración de garantía es una añadido, y en ningún caso un perjuicio para sus derechos estatutarios. La garantía es válida dentro de los territorios de los Estados Miembros de la Unión Europea y de los de la Zona Europea de Libre Comercio.

Si un producto Black & Decker resultará defectuoso debido a materiales o mano de obra defectuosos o a la falta de conformidad, Black & Decker garantiza, dentro de los 24 meses de la fecha de compra, la sustitución de las piezas defectuosas, la reparación de los productos sujetos a un desgaste y rotura razonables o la sustitución de tales productos para garantizar al cliente el mínimo de inconvenientes, a menos que:

- ◆ El producto haya sido utilizado con propósitos comerciales, profesionales o de alquiler;
- ◆ El producto haya sido sometido a un uso inadecuado o negligente;
- ◆ El producto haya sufrido daños causados por objetos o sustancias extrañas o accidentes;
- ◆ Se hayan realizado reparaciones por parte de personas que no sean los servicios de reparación autorizados o personal de servicios de Black & Decker;

Para reclamar en garantía, será necesario que presente la prueba de compra al vendedor o al servicio técnico de reparaciones autorizado. Pueden consultar la dirección de su servicio técnico más cercano poniéndose en contacto con la oficina local de Black & Decker en la dirección que se indica en este manual. Como alternativa, se puede consultar en Internet, en la dirección siguiente, la lista de servicios técnicos autorizados e información completa de nuestros servicios de postventa y contactos: **www.2helpU.com**

Visite nuestro sitio web **www.blackanddecker.com** para registrar su nuevo producto Black & Decker y mantenerse al día sobre nuestros productos y ofertas especiales. Encontrará información adicional sobre la marca Black & Decker y nuestra gama de productos en **www.blackanddecker.com**

Utilização

O seu Scumbuster® da Black & Decker foi projectado para a limpeza a seco e a molhado.

Este produto destina-se exclusivamente ao uso doméstico.

Instruções de segurança

- ◆ **Advertência!** Ao utilizar aparelhos alimentados por baterias, é necessário seguir sempre as precauções básicas de segurança, incluindo as detalhadas a seguir, para diminuir os riscos de incêndio, vazamento das baterias, ferimentos pessoais e danos materiais.
- ◆ Leia atentamente este manual antes de utilizar o aparelho.
- ◆ Neste manual indicam-se as utilizações previstas para o aparelho. O uso de qualquer acessório, extensão ou do próprio aparelho em situações diferentes das recomendadas neste manual de instruções pode dar origem a riscos de ferimentos pessoais.
- ◆ Guarde este manual para futura consulta.

Utilização do aparelho

- ◆ Mantenha as crianças e os animais a uma distância segura quando estiver a utilizar o aparelho.
- ◆ Nunca utilize o aparelho perto de fumos ou líquidos inflamáveis.
- ◆ Não permita que o aparelho seja imerso em água.

Após a utilização

- ◆ Desligue o carregador depois de o utilizar e antes de o limpar.
- ◆ Quando não estiver em utilização, guarde o aparelho dentro de casa e em local seco. Mantenha o aparelho fora do alcance das crianças.

Inspecção e reparação

- ◆ Antes de utilizar o aparelho, verifique se existem danos ou defeitos nas peças. Verifique se existem peças partidas, interruptores danificados ou quaisquer outros problemas que possam afectar o funcionamento do aparelho.
- ◆ Não utilize o aparelho se houver alguma peça defeituosa ou danificada.
- ◆ Qualquer peça defeituosa ou danificada deverá ser reparada ou substituída por um técnico autorizado.
- ◆ Inspecione regularmente se a ficha do carregador possui danos. Substitua o carregador caso a ficha esteja danificada ou com defeito.
- ◆ Nunca tente remover nem trocar peças por outras que não as especificadas neste manual.

Instruções adicionais de segurança para baterias e carregadores

Baterias

- ◆ Nunca tente abrir a bateria seja qual for a razão.
- ◆ Não deixe que a bateria entre em contacto com a água.
- ◆ Não armazene em locais onde a temperatura possa exceder 40 °C.
- ◆ Carregue somente à temperatura ambiente entre 4 °C e 40 °C.
- ◆ Carregue somente utilizando o carregador fornecido com a ferramenta.
- ◆ Quando se desfizer das baterias, siga as instruções fornecidas na secção "Protecção do meio ambiente".
- ◆ Sob condições extremas, é possível que a bateria apresente corrosão. Quando notar que há líquido na bateria, proceda da seguinte maneira:
 - Limpe o líquido cuidadosamente utilizando um pano. Evite o contacto com a pele.
 - Em caso de contacto com a pele ou com os olhos, siga as instruções abaixo.

Advertência! O líquido da bateria, uma solução de hidróxido de potássio de 25-30%, pode ser nocivo. Em caso de contacto com a pele, lave imediatamente com água. Neutralize com um ácido suave, como sumo de limão ou vinagre. Em caso de contacto com os olhos, enxagúe abundantemente com água limpa durante 10 minutos. Consulte um médico.

- ◆ Não exponha a bateria ao fogo.
- ◆ Não tente carregar baterias danificadas.

Carregadores

- ◆ Utilize seu carregador Black & Decker somente para carregar as baterias do tipo fornecido com sua ferramenta. Outras baterias poderiam explodir causando danos pessoais e estragos.
- ◆ Nunca tente carregar baterias não recarregáveis.
- ◆ Substitua os cabos defeituosos imediatamente.
- ◆ Não deixe que o carregador entre em contacto com a água.
- ◆ Não abra o carregador.
- ◆ Não submeta o carregador a testes.



O carregador destina-se apenas ao uso doméstico.

Segurança eléctrica

O seu carregador foi concebido para uma tensão de rede específica. Verifique sempre se a tensão eléctrica corresponde à indicada na placa de especificação eléctrica.



O seu carregador está duplamente isolado, pelo que não é necessário fio de terra.

Características

1. Interruptor de ligar/desligar
2. Botão de distribuição
3. Bocal
4. Almofada e disco
5. Depósito de líquido
6. Conector do carregador

Acessórios (fig. A)

Este produto é fornecido com os seguintes acessórios:

7. Escova de cerdas de área ampla: para a limpeza de áreas a fundo de azulejos de parede e chão, fibra de vidro e superfícies de plástico
8. Disco em almofada: para utilizar com almofadas
9. Almofada suave (branco): para esfregar moderadamente grandes áreas, como paredes de azulejo cerâmico e chão ou mobiliário de exterior.
10. Almofada de granulação grossa (azul claro): para esfregar a fundo grandes superfícies, como paredes com azulejos de cerâmica e chão ou banheiras e lavatórios (porcelana ou esmalte)
11. Almofada rígida (verde): para esfregar a fundo grandes superfícies, tais como grelhas utilizadas para grelhar carne
12. Escova radial: para a limpeza de azulejos
13. Escova estreita: para a limpeza de cantos e áreas difíceis de alcançar
14. Escova para tapete: para a limpeza de tapetes
15. Ligação flexível: para a utilização de escovas e almofadas em locais curvos
16. Saco portátil: para transportar ou armazenar o aparelho e acessórios
17. Suporte de parede: para o armazenamento da unidade durante o carregamento
18. Vareta de limpeza: para desobstrução do sistema de distribuição

Instalação

Montagem do suporte de parede na parede (fig. B)

O suporte de parede pode ser aplicado na parede de modo a obter-se um meio de armazenagem e um ponto de carregamento convenientes para o aparelho.

- ◆ Posicione o suporte de parede (17) próximo de uma fonte de alimentação. Aplique o suporte utilizando a ferramenta adequada.
- ◆ Ligue o carregador à corrente eléctrica.
- ◆ Insira o cabo do carregador na ranhura (19) na parte inferior do suporte de parede. Deixe comprimento de cabo suficiente para ligar a ficha do carregador (20) ao aparelho quando este for colocado no suporte de parede.

Advertência! Não aplique o suporte de parede directamente sobre uma fonte de alimentação. Certifique-se de que o cabo possui um circuito fechado quando o carregador for ligado à alimentação principal.

Montagem

Advertência! Antes de proceder à montagem, desligue a ferramenta.

Colocação e remoção de um acessório (fig. C)

Colocação

- ◆ Aquando da utilização de uma almofada, coloque-a no disco disponibilizado para o efeito.
- ◆ Alinhe o entalhe triangular do acessório com o veio na unidade do motor.
- ◆ Coloque o acessório no veio. Engate e rode rapidamente o acessório para a direita.

Remoção

- ◆ Engate e rode rapidamente o acessório para a esquerda e retire-o do aparelho.

Montagem da ligação flexível (fig. D)

A ligação flexível (15) deve ser montada entre a unidade do motor e o acessório.

- ◆ Monte a ligação flexível no aparelho, tal como descrito acima.
- ◆ Fixe o acessório à ligação flexível do aparelho.

Advertência! Nunca utilize a ligação flexível sem uma escova ou almofada colocada. Não utilize a ligação flexível para a limpeza de tapetes.

Utilização

- ◆ Antes de utilizar a ferramenta pela primeira vez, carregue a bateria pelo menos durante 16 horas seguidas.
- ◆ Coloque o aparelho no suporte de parede sempre que não o estiver a utilizar.
- ◆ Deixe o aparelho ligado ao carregador sempre que este não estiver em uso.

Carregamento da bateria (fig. E)

- ◆ Antes de proceder ao carregamento, assegure-se de que o aparelho está desligado.
- ◆ Coloque o aparelho no suporte de parede (17), conforme indicado.
- ◆ Insira a ficha do carregador (20) no conector (6) na parte traseira do aparelho.
- ◆ Ligue o carregador à corrente eléctrica.

A luz indicadora no carregador mantém-se acesa enquanto a bateria estiver ligada ao carregador.

- ◆ Deixe o aparelho a carregar pelo menos durante 16 horas seguidas.

É possível que o carregador aqueça um pouco durante o processo de carga. Isso é normal e não será indicação de qualquer problema. É possível deixar o aparelho ligado ao carregador indefinidamente.

- ◆ Após desligar o aparelho do carregador, volte a colocar a ficha do carregador.

Advertência! Não carregue a bateria em ambientes com temperatura inferior a 4 °C ou superior a 40 °C.

Enchimento do depósito de líquido (fig. F)

Encha o aparelho apenas com produtos de limpeza líquidos do tipo doméstico. Não encha o aparelho com géis ou líquidos com pequenos granulados, uma vez que poderão obstruir o sistema de distribuição.

- ◆ Coloque o aparelho sobre um lavatório com o bocal (3) voltado para baixo, tal como ilustrado.
- ◆ Desaperte a tampa do depósito de líquido (21) e retire-a.
- ◆ Encha o depósito (5) com o produto de limpeza pretendido até à linha "max".
- ◆ Volte a colocar a tampa, certificando-se de que fica bem apertada.

Advertência! Antes de encher o aparelho com um produto de limpeza diferente, limpe sempre o compartimento e irrigue o sistema de distribuição com água limpa. Não misture produtos de limpeza.

Advertência! Nunca exceda a linha de enchimento "max" do depósito de líquido.

Distribuição de líquido (fig. G)

- ◆ Carregue no botão de distribuição (2). O líquido continuará a ser distribuído, enquanto este botão for premido.

Advertência! Não verta líquido na direcção de equipamento contendo componentes eléctricos, tal como o interior de fornos.

Como ligar e desligar a ferramenta (fig. G)

- ◆ Para ligar o aparelho a baixa velocidade, coloque o interruptor de ligar/desligar na posição 1.
- ◆ Para ligar o aparelho a alta velocidade, coloque o interruptor de ligar/desligar na posição 2.
- ◆ Para desligar o aparelho, coloque o interruptor de ligar/desligar na posição 0.

Sugestões para uma melhor utilização

O aparelho pode ser utilizado com uma grande variedade de produtos de limpeza, incluindo produtos de limpeza de casas de banho, automóveis, mobiliário de exterior, tapetes e outros produtos doméstico.

Leia e siga sempre as instruções do fabricante do produto de estiver a utilizar. Não utilize o aparelho com produtos de limpeza abrasivos.

Advertência! Use luvas e protecção ocular aquando da utilização de produtos de limpeza agressivos.

- ◆ Antes de limpar tapetes, aspire bem a superfície.
- ◆ Para tapetes sólidos, mergulhe a escova num líquido de limpeza e lave a água. Mova o aparelho de forma circular. Não pendure o aparelho em qualquer lado enquanto ligado. Logo que a espuma desapareça, deixe secar e depois aspire o tapete.
- ◆ Caso tenha dúvidas sobre como utilizar o aparelho numa determinada superfície, teste em primeiro lugar numa ponta.

Limpeza e manutenção

- ◆ Limpe regularmente o compartimento do motor utilizando um pano húmido. Não utilize nenhum detergente abrasivo nem à base de solvente.
- ◆ Após cada utilização, limpe os acessórios em água com sabão.
- ◆ Limpe o sistema de distribuição após cada utilização e antes de guardar o aparelho.

Limpeza do depósito de líquido (fig. F)

- ◆ Retire a tampa do depósito de líquido (21).
- ◆ Esvazie o depósito de líquido (5), conforme necessário.
- ◆ Limpe o interior do depósito de líquido com um pano suave humedecido e irrigue com água.

Limpeza do bocal (fig. H)

- ◆ Desaperte o bocal (3) e retire-o utilizando a ferramenta de limpeza (18).
- ◆ Mergulhe o bocal durante meia hora em água limpa morna.
- ◆ Limpe as ranhuras do bocal com uma escova de cerdas sintéticas finas.
- ◆ Reponha o bocal. Tome cuidado para apertar demasiado.
- ◆ Encha o reservatório (5) com água limpa.
- ◆ Distribua o líquido até o depósito ficar vazio.
- ◆ Repita este procedimento 1 ou 2 vezes com água limpa.

Limpeza do sistema de distribuição (fig. H)

- ◆ Desaperte o bocal (3) e retire-o utilizando a ferramenta de limpeza (18).
- ◆ Encha o reservatório (5) com água morna.
- ◆ Distribua o líquido até o depósito ficar vazio.

- ◆ Repita este procedimento 1 ou 2 vezes com água morna.
- ◆ Reponha o bocal. Tome cuidado para apertar demasiado.

Desobstrução do sistema de distribuição (fig. H & I)

- ◆ Encha o depósito (5) com água limpa morna até à linha “max”.
- ◆ Desaperte o bocal (3) e retire-o utilizando a ferramenta de limpeza (18).
- ◆ Prima repetidamente o botão de distribuição (2) ao introduzir a extremidade dianteira da ferramenta de limpeza (18) no tubo de distribuição (22), até desobstruir o sistema de distribuição.

O sistema de distribuição fica desobstruído quando se ouve o som da descompressão, após o que sai água através do bocal.

- ◆ Retire a ferramenta de limpeza. Distribua o líquido até o depósito ficar vazio.
- ◆ Repita este procedimento 1 ou 2 vezes, conforme necessário, para restaurar o fluxo total.
- ◆ Reponha o bocal. Tome cuidado para apertar demasiado.

Protecção do meio ambiente



Recolha em separado. Não deve deitar este produto fora juntamente com o lixo doméstico normal.

Caso chegue o momento em que um dos seus produtos Black & Decker precise de ser substituído ou decida desfazer-se do mesmo, não o deite fora juntamente com o lixo doméstico. Tome este produto disponível para uma recolha em separado.



A recolha em separado de produtos e embalagens utilizados permite que os materiais sejam reciclados e reutilizados. A reutilização de materiais reciclados ajuda a evitar a poluição ambiental e a reduzir a procura de matérias-primas.

Os regulamentos locais poderão providenciar a recolha em separado de produtos eléctricos junto das casas, em lixeiras municipais ou junto dos fornecedores ao adquirir um novo produto.

A Black & Decker oferece um serviço de recolha e reciclagem de produtos Black & Decker que tenha atingido o fim das suas vidas úteis. Para tirar proveito deste serviço, devolva seu produto a qualquer agente de reparação autorizado, que se encarregará de recolher o equipamento em nosso nome.

Para verificar a localização do agente de reparação mais próximo de si, contacte o escritório local da Black & Decker no endereço indicado neste manual. Se preferir, consulte a lista de agentes autorizados da Black & Decker e os dados completos dos nossos serviços de atendimento pós-venda na Internet no endereço: www.2helpU.com

Bateria (fig. J & K)



No final da sua vida útil, deite fora as baterias sempre tendo em mente o cuidado com o meio ambiente:

- ◆ De preferência, descarregue a bateria deixando o motor a funcionar até parar.
- ◆ Utilizando uma chave de fendas plana, empurre a tampa da bateria (23) para dentro no entalhe (24) adjacente à tampa, para soltá-la e removê-la.
- ◆ Agarre o corpo da bateria para retirá-la do aparelho.
- ◆ Coloque a bateria numa embalagem apropriada para garantir que os terminais não possam entrar em curto-circuito.
- ◆ Leve-a ao seu distribuidor ou a uma estação local de reciclagem.

Advertência! Uma vez removida, não será possível recolocar a bateria.

Dados técnicos

	S600	
Voltagem	V _{DC}	3,6
Peso	kg	0,9

Declaração de conformidade

S600

A Black & Decker declara que estas ferramentas foram concebidas em conformidade com:
98/37/CEE, 89/336/CEE, 73/23/CEE, EN 55014, EN 60335, EN 61000

L_{PA} (pressão sonora) < 70 dB(A), vibração < 2,5 m/s²

Colin Wills
Engenheiro Responsável
BDCI, 4/F, 2 Dai Wang Street
Tai Po Industrial Estate
Tai Po NT, Hong Kong
1-1-2005

Garantia

A Black & Decker confia na qualidade de seus produtos e oferece um programa de garantia excelente. Esta declaração de garantia soma-se aos seus direitos legais e não os prejudica em nenhum aspecto. A garantia será válida nos territórios dos Estados Membros da União Europeia e na Área de Livre Comércio da Europa.

Caso algum produto da Black & Decker apresente avarias devido a defeitos de material, mão-de-obra ou ausência de conformidade no prazo de 24 meses a partir da data de compra, a Black & Decker garantirá a substituição das peças defeituosas, a reparação dos produtos que foram submetidos a uso adequado e remoção ou substituição dos mesmos para assegurar o mínimo de inconvenientes ao cliente a menos que:

- ◆ O produto tenha sido utilizado para fins comerciais, profissionais ou aluguer;
- ◆ O produto tenha sido submetido a uso incorrecto ou descuido;
- ◆ O produto tenha sofrido danos causados por objectos estranhos, substâncias ou acidentes;
- ◆ Tenha um histórico de reparações efectuadas por terceiros que não sejam os agentes autorizados ou profissionais de manutenção da Black & Decker.

Para activar a garantia, será necessário enviar a prova de compra ao revendedor ou agente de reparação autorizado. Para verificar a localização do agente de reparação mais próximo de si contacte o escritório local da Black & Decker no endereço indicado neste manual. Se preferir, consulte a lista de agentes autorizados da Black & Decker e os dados completos de nossos serviços de atendimento pós-venda na Internet no endereço: **www.2helpU.com**

Visite o nosso website **www.blackanddecker.com** para registar o seu novo produto Black & Decker e para se manter actualizado sobre novos produtos e ofertas especiais. Estão disponíveis mais informações sobre a Black & Decker e sobre a nossa gama de produtos em **www.blackanddecker.com**

Användningsområde

Black & Deckers Scumbuster® är avsedd för dammsugning av våta och torra ytor.

Produkten är endast avsedd för hemmabruk.

Säkerhetsanvisningar

- ◆ **Varning!** Vid användning av batteridrivna apparater är det viktigt att man bl.a. följer nedanstående grundläggande säkerhetsanvisningar för att minska risken för brand, batteriläckage, personskador och materialskador.
- ◆ Läs bruksanvisningen noggrant innan du använder apparaten.
- ◆ Apparaten är avsedd för den användning som beskrivs i denna bruksanvisning. Använd endast apparaten på de sätt och med de tillbehör och tillsatser som rekommenderas i bruksanvisningen. Annan användning kan medföra risk för personskador.
- ◆ Spara bruksanvisningen för framtida bruk.

Användning av apparaten

- ◆ Se till att barn och husdjur befinner sig på behörigt avstånd när du använder apparaten.
- ◆ Använd inte apparaten i närheten av brandfarlig ånga eller vätska.
- ◆ Sänk aldrig ned apparaten i vatten.

Efter användning

- ◆ Dra ur laddarkontakten efter användning, före rengöring.
- ◆ När apparaten inte används skall den förvaras inomhus och på en torr plats. Se till att barn inte kan få tag på apparaten.

Kontroll och reparation

- ◆ Kontrollera om apparaten är skadad eller defekt, innan den används. Kontrollera att inga delar är trasiga, att strömbrytaren inte är skadad eller att något annat föreligger som kan inverka på funktionen.
- ◆ Använd inte apparaten om någon del är skadad eller defekt.
- ◆ Om fel uppstår ska delarna repareras eller bytas ut av en auktoriserad Black & Decker serviceverkstad.
- ◆ Kontrollera regelbundet att laddarkontakten inte är skadad. Byt ut laddaren om kontakten är skadad eller defekt.
- ◆ Försök aldrig att ta bort eller byta ut andra delar än dem som nämns i denna bruksanvisning.

Extra säkerhetsföreskrifter för batterier och laddare

Batterier

- ◆ Försök aldrig öppna batteriet.
- ◆ Utsätt inte batteriet för vatten.
- ◆ Förvara inte batteriet i utrymmen där temperaturen kan överstiga 40 °C.
- ◆ Ladda endast inom temperaturområdet 4 °C till 40 °C.

- ◆ Ladda endast med laddaren som medföljer.
- ◆ När batterierna kasseras ska instruktionerna i kapitlet "Miljö" följas.
- ◆ Under extrema förhållanden kan batteriläckage uppstå. Om du upptäcker vätska från batteriet skall följande iakttagas:
 - Torka försiktigt bort vätskan med en trasa. Undvik kontakt med huden.
 - Vid kontakt med huden eller ögonen skall instruktionerna nedan följas.

Varning! Batterivätskan, en 25-30 % lösning av kaliumhydroxid, kan vara skadlig. Vid kontakt med huden, skölj omedelbart med vatten. Neutralisera med en svag syra, t ex citronjuice eller ättika. Om syran kommer i kontakt med ögonen, skölj rikligt med rent vatten i minst 10 minuter. Kontakta läkare.

- ◆ Utsätt inte batteriet för Eld.
- ◆ Försök aldrig ladda ett skadat batteri.

Laddare

- ◆ Använd Black & Decker-laddaren endast tillsammans med det batteri som medföljer verktyget. Andra typer av batterier kan explodera och förorsaka person- och materialskador.
- ◆ Försök aldrig ladda icke-uppladdningsbara batterier.
- ◆ Byt genast ut skadade sladdar.
- ◆ Utsätt inte laddaren för vatten.
- ◆ Öppna inte laddaren.
- ◆ Gör ingen åverkan på laddaren.



Laddaren är endast avsedd för inomhusanvändning.

Elektrisk säkerhet

Din laddare är avsedd för en särskild elnätsspänning. Kontrollera alltid att nätspänningen överensstämmer med typskylten.



Laddaren är dubbelisolerad; jordledare är således överflödiga.

Detaljbeskrivning

1. Strömbrytare
2. Dispenseringsknapp
3. Munstycke
4. Skurplatta & trissa
5. Vätskebehållare
6. Anslutning för laddaren

Tillbehör (fig. A)

Produkten levereras med följande tillbehör:

7. Bred, långhårig borste: för kraftfull rengöring av kakel på väggar och golv, glasfiber- och hårda plastytor

8. Trissa: för plattorna
9. Fin skurplatta (vit): för lätt skurning av större ytor som kakel på väggar och golv eller utomhusmöbler.
10. Grov skurplatta (ljusblå): för kraftfull skurning av större ytor som kakel på väggar och golv, badkar eller tvättfat (porslin eller emalj)
11. Grov skurplatta (grön): för aggressiv skrubbing på stora ytor, såsom grillgaller
12. Radialborste: för rengöring av murbruks- eller cementspalter
13. Smal borste: för rengöring av hörn och svåråtkomliga ställen
14. Mattborste: för rengöring av mattor
15. Flexibelt fäste: för användning av borstar och skurplattor i svängda utrymmen
16. Väska: för transport och förvaring av enheten och tillbehör
17. Väggfäste: för förvaring av enheten vid laddning
18. Rengöringssticka: för att rensa dispenseringsystemet

Installation

Montering av väggfästet på väggen (fig. B)

Väggfästet kan monteras på en vägg som en praktisk laddnings- och förvaringsplats för apparaten.

- ◆ Placera väggfästet (17) inom räckhåll för eltilförseln. Montera väggfästet med hjälp av lämplig materiel.
- ◆ Anslut laddaren till vägguttaget.
- ◆ Stick in laddarens elsladd i skåran (19) i botten av väggfästet. Se till att det finns tillräckligt med elsladd för att ansluta laddarens stickkontakt (20) i apparaten när den sitter i fästet på väggen.

Varning! Montera inte väggfästet direkt över ett eluttag. Kontrollera att sladden har en ögla när laddaren ansluts till eluttaget.

Montering

Varning! Stäng av verktyget innan det monteras.

Isättning och borttagning av tillbehör (fig. C)

Montering

- ◆ När du använder en platta, sätter du den på trissan.
- ◆ Rätta in det trekantiga utsparringen på tillbehöret med skaftet på motorenheten.
- ◆ Placera tillbehöret på axeln. Kläm fast och vrid tillbehöret snabbt medurs.

Avlägsnande

- ◆ Kläm fast och vrid tillbehöret snabbt moturs och drag av det från motorenheten.

Montering av flexibelt fäste (fig. D)

Det flexibla fästet (15) måste monteras mellan motorenheten och tillbehöret.

- ◆ Montera det flexibla fästet på apparaten enligt beskrivningen ovan.
- ◆ Montera tillbehöret på apparatens flexibla fäste.

Varning! Använd aldrig det flexibla fästet utan en borste eller skrubblatta på plats. Använd inte det flexibla fästet för mattrengöring.

Användning

- ◆ Före den första användningen måste batteriet laddas i minst 16 timmar.
- ◆ Placera alltid apparaten på väggfästet när den inte används.
- ◆ Lämnar alltid apparaten ansluten till laddaren när den inte används.

Laddning av batteriet (fig. E)

- ◆ Kontrollera att apparaten är avstängd innan den sätts på laddning.
- ◆ Placera apparaten i väggfästet (17) enligt illustrationen.
- ◆ Sätt laddarkontakten (20) i laddningsuttaget (6) på apparatens baksida.
- ◆ Anslut laddaren till vägguttaget.

Indikatorn på laddaren tänds och förblir tänd medan batteriet är anslutet till laddaren.

- ◆ Låt apparaten laddas i minst 16 timmar.

Laddaren kan bli varm under laddningen. Det är normalt och tyder inte på något problem. Apparaten kan vara ansluten till laddaren under obegränsad tid.

- ◆ När apparaten har kopplats från laddaren, byt ut laddningsstickkontakten.

Varning! Ladda inte batteriet vid temperaturer på under 4 °C eller över 40 °C.

Att fylla vätskebehållaren (fig. F)

Apparaten ska endast fyllas med vattenliknande rengöringsmedel för hushållsbruk. Fyll aldrig apparaten med gel eller slipande rengöringsmedel eftersom de sätter igen dispenseringsystemet.

- ◆ Håll apparaten över en ho med munstycket (3) riktat nedåt enligt illustrationen.
- ◆ Lossa locket till behållaren (21) och ta bort det.
- ◆ Fyll behållaren (5) med det rengöringsmedel som ska användas till markeringen "max".
- ◆ Sätt tillbaka locket och kontrollera att det är ordentligt fastskruvat.

Varning! Innan apparaten fylls med ett annat rengöringsmedel ska apparatens hus och dispenseringsystem sköljas med rent vatten. Blanda aldrig olika rengöringsmedel.

Varning! Fyll aldrig apparaten över markeringen "max" på vätskebehållaren.

Att dispensera vätska (fig. G)

- ◆ Tryck på dispenseringsknappen (2). Vätskan kommer att dispensereras så länge som dispenseringsknappen hålls nedtryckt.

Varning! Sprid inte vätskan mot apparatur som innehåller elektriska komponenter, t.ex. insidan av ugnar.

Start och stopp (fig. G)

- ◆ För att sätta på verktyget vid låg hastighet ställer du strömbrytaren i läge 1.
- ◆ För att sätta på verktyget vid hög hastighet ställer du strömbrytaren i läge 2.
- ◆ För att stänga av apparaten ställer du strömbrytaren i läge 0.

Råd för bästa resultat

Apparaten kan användas tillsammans med många olika rengöringsmedel, inklusive rengöringsmedel för bil, utemöbler, mattor och andra vanliga föremål i hushållet. Använd alltid handskar och följ tillverkarens anvisningar för de rengöringsmedel som du använder. Använd inte slipande rengöringsmedel tillsammans med apparaten.

Varning! Använd handskar och ögonskydd när du använder aggressiva rengöringsmedel.

- ◆ Dammsug en matta noggrant innan du tvättar av den.
- ◆ Fläckar på kraftigt nedsmutsade mattor bör förbehandlas med hjälp av schampoborsten doppad i lösningen med rengöringsmedel. Stryk med borsten i en cirkelrörelse. Håll inte apparaten stilla på ett ställe medan den är i gång. När skummet har försvunnit är det dags att låta torka och dammsuga mattan.
- ◆ Om du inte vet hur du ska behandla ett visst material, bör du pröva med någon undanskymd del av ytan.

Rengöring och underhåll

- ◆ Rengör motorenheten regelbundet med en fuktig trasa. Använd aldrig rengöringsmedel med lösnings- eller slipmedel.
- ◆ Rengör tillbehören efter användning med vatten med diskmedel.
- ◆ Rengör vätskedispenseringssystemet efter varje användning och innan förvaring.

Att rengöra vätskebehållaren (fig. F)

- ◆ Avlägsna locket till vätskebehållaren (21).
- ◆ Töm vätskebehållaren (5) efter behov.
- ◆ Torka vätskebehållarens insida med en mjuk trasa och skölj med vatten.

Rengöring av munstycket (fig. H)

- ◆ Lossa munstycket (3) och avlägsna det med hjälp av rengöringsverktyget (18).
- ◆ Sänk ned munstycket i rent varmt vatten under en halvtimme.
- ◆ Rengör skårorna i munstycket med hjälp av en fin syntetisk borste.
- ◆ Sätt tillbaka munstycket. Var försiktig så att du inte drar åt för hårt.
- ◆ Fyll behållaren (5) med rent vatten.
- ◆ Dispensera vätskan tills behållaren är tom.
- ◆ Upprepa denna procedur 1 eller 2 gånger med rent vatten.

Rengöring av dispenseringsystemet (fig. H)

- ◆ Lossa munstycket (3) och avlägsna det med hjälp av rengöringsverktyget (18).
- ◆ Fyll behållaren (5) med varmt vatten.
- ◆ Dispensera vätskan tills behållaren är tom.
- ◆ Upprepa denna procedur 1 eller 2 gånger med varmt vatten.
- ◆ Sätt tillbaka munstycket. Var försiktig så att du inte drar åt för hårt.

Rensning av dispenseringsystemet (fig. H & I)

- ◆ Fyll behållaren (5) med rent varmt vatten till markeringen "max".
- ◆ Lossa munstycket (3) och avlägsna det med hjälp av rengöringsverktyget (18).
- ◆ Tryck på dispenseringsknappen (2) medan du för in den främre änden av rengöringsverktyget (18) i dispenseringsröret (22) flera gånger tills dispenseringsystemet är rensat.

Dispenseringsystemet är rensat när det hörs att trycket släpper, samtidigt som det kommer vatten ur munstycket.

- ◆ Avlägsna rengöringsverktyget. Dispensera vätskan tills behållaren är tom.
- ◆ Upprepa denna procedur 1 eller 2 gånger efter behov för att återställa fullt flöde.
- ◆ Sätt tillbaka munstycket. Var försiktig så att du inte drar åt för hårt.

Miljöskydd



Särskild insamling. Denna produkt får inte kastas bland vanliga hushållssopor.

Om du någon gång i framtiden behöver ersätta din Black & Decker-produkt med en ny, eller inte längre behöver den, ska du inte kasta den i hushållssoporna. Denna produkt skall lämnas till särskild insamling.



Efter insamling av använda produkter och förpackningsmaterial kan materialen återvinnas och användas på nytt. Användning av återvunna material skonar miljön och minskar förbrukningen av råvaror.

Enligt lokal lagstiftning kan det förekomma särskilda insamlingar av uttjänt elutrustning från hushåll, antingen vid kommunala miljöstationer eller hos detaljhandlaren när du köper en ny produkt.

Black & Decker erbjuder en insamlings- och återvinningstjänst för Black & Decker-produkter när de en gång har tjänat ut. För att använda den här tjänsten lämnar du in produkten till en auktoriserad B & D –reparatör/representant som tar hand om den för din räkning.

Närmaste auktoriserad Black & Decker-representant finner du genom det lokala Black & Decker-kontoret på adressen i den här manualen. Annars kan du söka på Internet, på listan över auktoriserade Black & Decker-representanter och alla uppgifter om vår kundservice och andra kontakter.

www.2helpU.com

Batteri (fig. J & K)



Skydda miljön genom att lämna uttjänta batterier till avsedd uppsamlingsplats.

- ◆ Ladda helst ur batteriet genom att använda apparaten tills motorn slutar gå.
- ◆ Tryck med en bladskrummejsel in i batteriluckan (23) vid öppningen (24) på sidan av locket så att den klickar lös och kan avlägsnas.
- ◆ Grip batteriets hölje för att dra ut batteriet ur apparaten.
- ◆ Lägg batteriet i en lämplig förpackning så att kontaktorna inte kan kortslutas.
- ◆ Lämna in batteriet på inköpsstället eller på den lokala återvinningsstationen.

Varning! När batteriet har tagits ut kan det inte sättas tillbaka.

Tekniska data

		S600
Spänning	V_{DC}	3,6
Vikt	kg	0,9

CE-försäkringen om överensstämmelse

S600

Black & Decker förklarar att dessa verktyg är konstruerade i överensstämmelse med:

98/37/EEG, 89/336/EEG, 73/23/EEG, EN 55014, EN 60335, EN 61000

L_{pA} (ljudtryck) < 70 dB(A), vägd geometrisk medelvärde av vibrationsfrekvensen < 2,5 m/s²

Colin Wills
Director of Engineering
BDCI, 4/F, 2 Dai Wang Street
Tai Po Industrial Estate
Tai Po NT, Hong Kong
1-1-2005

Reservdelar / reparationer

Reservdelar finns att köpa hos auktoriserade Black & Decker verkstäder, som även ger kostnadsförslag och reparerar våra produkter.

Förteckning över våra auktoriserade verkstäder finns på Internet, vår hemsida www.blackanddecker.se samt www.2helpU.com

Garanti

Black & Decker garanterar att produkten är fri från material- och/eller fabriktionsfel vid leverans till kund. Garantin är i tillägg till konsumentens lagliga rättigheter och påverkar inte dessa. Garantin gäller inom medlemsstaterna i Europeiska Unionen och i det Europeiska Frihandelsområdet.

Om en Black & Decker produkt går sönder på grund av material- och/eller fabriktionsfel eller brister i överensstämmelse med specifikationen, inom 24 månader från köpet, åtar sig Black & Decker att reparera eller byta ut produkten med minsta besvär för kunden.

Garantin gäller inte för fel som beror på:

- ◆ normalt slitage
- ◆ felaktig användning eller skötsel
- ◆ att produkten skadats av främmande föremål, ämnen eller genom olyckshändelse

Garantin gäller inte om reparation har utförts av någon annan än en auktoriserad Black & Decker verkstad.

För att utnyttja garantin skall produkten och inköpskvittot lämnas till återförsäljaren eller till en auktoriserad verkstad senast 2 månader efter det att felet har upptäckts.

För information om närmaste auktoriserad verkstad; kontakta det lokala Black & Decker kontoret på den adress som är angiven i bruksanvisningen. En lista på alla auktoriserade verkstäder samt servicevillkor finns även tillgängligt på Internet, adress: **www.2helpU.com**

Besök vår webbplats **www.blackanddecker.se** för att registrera din nya Black & Decker-produkt samt för att erhålla information om nya produkter och specialerbjudanden. Vidare information om märket Black & Decker och vårt produktsortiment kan återfinnas på **www.blackanddecker.se**

Bruksområder

Din Black & Decker Scumbuster® er konstruert for lett våt og tørr rengjøring.

Apparatet er kun ment for bruk i hjemmet.

Sikkerhetsinstruksjoner

- ◆ **Advarsel!** Når du bruker oppladbare redskaper, må du følge en del grunnleggende sikkerhetsregler, se nedenfor, for å redusere faren for brann, batterilekkasje, personskade og materiell skade.
- ◆ Les hele denne bruksanvisningen nøye før du bruker apparatet.
- ◆ Bruksanvisningen beskriver hvordan apparatet skal brukes. Bruk bare tilbehør og utstyr til dette apparatet som anbefales i bruksanvisningen. Bruk av annet tilbehør eller utstyr kan medføre risiko for personskade.
- ◆ Ta vare på denne bruksanvisningen for fremtidig bruk.
- ◆ Må ikke oppbevares på steder hvor temperaturen kan overstige 40 °C.
- ◆ Må bare lades ved lufttemperaturer mellom 4 °C og 40 °C.
- ◆ Må bare lades med laderen som følger med verktøyet.
- ◆ Når du kasserer batteriet, følger du instruksene som er gitt i avsnittet "Miljø".
- ◆ Under ekstreme forhold kan batterilekkasje forekomme. Hvis du merker væske på batteriet, må du gjøre som følger:
 - Tørk forsiktig væsken av med en klut. Unngå kontakt med huden.
 - I tilfeller hvor det oppstår kontakt med hud eller øyne, skal instruksjonene nedenfor følges.

Advarsel! Batterivæsken, en 25-30 % løsning av kaliumhydroksid, kan være skadelig. Hvis den kommer i berøring med hud, må du straks skylle med vann. Nøytraliser med en svak syre, f.eks. sitronsaft eller eddik. Hvis du får væsken i øynene, må du rense dem med rikelige mengder rent vann i minst 10 minutter. Kontakt lege.

Bruke apparatet

- ◆ Hold barn og dyr på trygg avstand når du bruker dette apparatet.
- ◆ Ikke bruk apparatet i nærheten av brennbare gasser eller væsker.
- ◆ Apparatet må ikke dyppes i vann.

Etter bruk

- ◆ Trekk ut laderens kontakt etter bruk og før rengjøring.
- ◆ Når apparatet ikke er i bruk, må det oppbevares innendørs på et tørt sted. Apparatet skal oppbevares utilgjengelig for barn.

Kontroll og reparasjon

- ◆ Før bruk må du kontrollere apparatet for skader eller defekte deler. Kontroller også at det ikke finnes deler med brist, at bryterne ikke er skadet og eventuelle andre forhold som kan påvirke driften av apparatet.
- ◆ Bruk aldri apparatet hvis noen av delene er skadet eller defekte.
- ◆ Ved skade eller feil må delene repareres eller byttes ut av et autorisert serviceverksted.
- ◆ Sjekk jevnlig om laderledningen kan være skadet. Bytt laderen hvis ledningen er skadet eller ikke fungerer som den skal.
- ◆ Prøv aldri å fjerne eller bytte andre deler enn de som er angitt i denne bruksanvisningen.

Ekstra sikkerhetsforskrifter for batterier og ladere

Batterier

- ◆ Må aldri åpnes.
- ◆ Batteriet må ikke komme i kontakt med vann.

- ◆ Batteriet må ikke brennes.
- ◆ Bruk aldri et skadet batteri.

Ladere

- ◆ Bruk din Black & Decker lader kun sammen med det batteriet som blir levert med verktøyet. Andre typer batterier kan eksplodere og forårsake person- og materialskader.
- ◆ Forsøk aldri å lade ikke-oppladbare batterier.
- ◆ Bytt straks ut defekte ledninger.
- ◆ Laderen må ikke komme i kontakt med vann.
- ◆ Laderen må ikke åpnes.
- ◆ Ikke skad eller feilbehandle laderen.



Laderen er kun beregnet på innendørs bruk.

Elektrisk sikkerhet

Laderen er utformet for en bestemt nettspenning. Kontroller at nettspenningen er i overensstemmelse med spenningen på typeskiltet.



Laderen er dobbeltisolert. Derfor er ikke jording nødvendig.

Funksjoner

1. Strømbryter
2. Fordelingsknapp
3. Munnstykke
4. Skrubbepute & skive
5. Væskebeholder
6. Tilslutning for lader

Tilbehør (fig. A)

Dette apparatet leveres med følgende tilbehør:

7. Børste med bred bust: til kraftig rengjøring av flisbelagte vegger og gulv, glassfiber og harde plastoverflater
8. Puteskive: til bruk med putene
9. Fin skrubbepute (hvit): til mer skånsom skrubbing av store områder, som flisbelagte vegger og gulv eller hagemøbler
10. Grov skrubbepute (lyseblå): til kraftig skrubbing av større overflater, som flisbelagte vegger og gulv, badekar og vaskeservanter (av porselen eller emalje)
11. Kraftig skrubbepute (grønn): For kraftig skrubbing av store overflater, som f.eks. grillrister
12. Radialbørste: til rengjøring av fuger mellom fliser
13. Smal børste: Til rengjøring av hjørner og steder det er vanskelig å komme til
14. Teppebørste: til rengjøring av tepper
15. Bøyelig festeordning: Til bruk av børster og skrubbeputer rundt hjørner el.l.
16. Bæresveske: til enkel oppbevaring og transport av apparatet og tilbehøret
17. Veggfeste: For oppbevaring av enheten under lading
18. Rensepinne: For å fjerne urenheter som tetter fordelingsystemet

Montering**Montere veggfestet på veggen (fig. B)**

Du kan feste veggfestet på veggen slik at du får et praktisk punkt for oppbevaring og lading av apparatet.

- ◆ Plasser veggfestet (17) innenfor rekkevidde av en stikkontakt. Fest veggfestet med passende verktøy.
- ◆ Sett laderen i vegguttaket.
- ◆ Stikk laderledningen inn i sporet (19) i bunnen av veggfestet. La det være tilstrekkelig lengde på ledningen til å kople laderstøpset (20) til apparatet når det befinner seg i veggfestet.

Advarsel! Monter ikke veggfestet direkte over en stikkontakt. Pass på at ledningen lager en løkke når laderen kobles til nettstrømmen.

Montering

Advarsel! Før montering må du slå av verktøyet.

Sette på og ta av tilbehøret (fig. C)**Montering**

- ◆ Ved bruk av pute monteres puten på puteskiven.
- ◆ Sett det trekantede sporet på tilbehøret på linje med akselen på motorenheten.
- ◆ Plasser tilbehøret på akselen. Vri tilbehøret fort med klokken.

Fjerne fra basen

- ◆ Vri tilbehøret fort mot klokken og trekk det av motorenheten.

Montere bøyelig festeordning (fig. D)

Den bøyelige festeordningen (15) må monteres mellom motorenheten og tilbehøret.

- ◆ Monter den bøyelige festeordningen på apparatet som beskrevet ovenfor.
- ◆ Monter tilbehøret på apparatets bøyelige festeordning.

Advarsel! Den bøyelige festeordningen må aldri brukes uten påmontert børste eller skrubbepute. Ikke bruk den bøyelige festeordningen til tepperensning.

Bruk

- ◆ Før du bruker apparatet for første gang, må du lade batteriet i minst 16 timer.
- ◆ Plasser alltid apparatet i veggfestet når det ikke er i bruk.
- ◆ Apparatet skal alltid stå i laderen når det ikke er i bruk.

Lading av batteriet (fig. E)

- ◆ Før lading må du kontrollere at apparatet er slått av.
- ◆ Plasser apparatet i veggfestet (17) som vist.
- ◆ Sett laderstøpset (20) i kontakten (6) på baksiden av apparatet.
- ◆ Sett laderen i vegguttaket.

Lampen på laderen begynner å lyse, og lyser så lenge batteriet er koblet til laderen.

- ◆ La apparatet lades opp i minst 16 timer.

Mens ladingen pågår kan laderen bli varm. Dette er normalt og betyr ikke at noe er feil. Apparatet kan stå koblet til laderen så lenge du ønsker.

- ◆ Etter at apparatet er koblet fra laderen, må du sette inn laderstøpset igjen.

Advarsel! Ikke lad opp batteriet ved omgivelsestemperaturer under 4 °C eller over 40 °C.

Fylle væskebeholderen (fig. F)

Apparatet må bare fylles med vannliknende rengjøringsmidler til bruk i husholdningen. Ikke fyll apparatet med gel eller myke børster, da disse vil tette til fordelingsystemet.

- ◆ Hold apparatet over en vaske med munnstykket (3) ned som vist.
- ◆ Løsne hetten til væskebeholderen (21) og fjern den.
- ◆ Fyll beholderen (5) med det påkrevde rengjøringsmidlet, opp til "max"-linjen.
- ◆ Sett på hetten igjen, og pass på at den sitter godt.

Advarsel! Før du fyller apparatet med et annet rengjøringsmiddel må du alltid rengjøre huset og skylle ut av fordelingssystemet med rent vann. Ikke bland forskjellige rengjøringsmidler.

Advarsel! Ikke fyll væskebeholderen til over "max"-linjen.

Fordele væske (fig. G)

- ◆ Trykk på fordelingsknappen (2). Væsken vil fortsette å komme ut så lenge fordelingsknappen holdes inne.

Advarsel! Ikke bruk væsken i retning av utstyr som inneholder elektriske komponenter, som f.eks. innsiden av ovner.

Start og stopp (fig. G)

- ◆ For å slå på apparatet på lav hastighet, må du stille strømbryteren til posisjon 1.
- ◆ For å slå på apparatet på høy hastighet, må du stille strømbryteren til posisjon 2.
- ◆ For å slå av apparatet må du stille strømbryteren til posisjon 0.

Råd for optimalt resultat

Apparatet kan brukes sammen med en rekke rengjøringsmidler, blant annet spesialmidler til badrom, biler, hagemøbler, tepper og andre vanlige rengjøringsmidler. Du må alltid lese gjennom og følge produsentens instruksjoner på beholderen med rengjøringsmiddelet. Ikke bruk apparatet sammen med slipende rengjøringsmidler.

Advarsel! Bruk hansker og øyevern ved bruk av sterke kjemiske rengjøringsmidler.

- ◆ Støvsug hele overflaten grundig før rengjøring i av tepper.
- ◆ Til svært tilsmussede tepper dypper du sjampobørsten i rengjøringsmiddel og sjamponerer det tilsmussede området. Beveg apparatet i sirkler. Ikke hold apparatet stille på ett sted mens det er i drift. Når skummet er borte, skal teppet få tørke før det støvsuges på nytt.
- ◆ Hvis du er usikker på om du kan bruke apparatet på en bestemt overflate, tester du det først på et lite synlig sted.

Rengjøring og vedlikehold

- ◆ Rengjør motoren regelmessig med en fuktig klut. Ikke bruk slipende eller løsemiddelbaserte rengjøringsmidler.
- ◆ Rengjør tilbehøret etter hver gangs bruk med såpevann.
- ◆ Rengjør væskefordelingsystemet etter hver gangs bruk og før apparatet settes på lager.

Rengjøre væskebeholderen (fig. F)

- ◆ Ta av hetten til væskebeholderen (21).
- ◆ Tøm væskebeholderen (5) ved behov.

- ◆ Tørk innsiden av væskebeholderen med en myk, fuktig klut, og skylt med vann.

Rengjøre munnstykket (fig. H)

- ◆ Løsne munnstykket (3) og ta det av ved hjelp av rengjøringsverktøyet (18).
- ◆ Legg munnstykket i rent, varmt vann i en halv time.
- ◆ Rengjør sporene i munnstykket med en fin, syntetisk børste.
- ◆ Sett munnstykket tilbake på plass. Vær forsiktig så du ikke strammer det for mye.
- ◆ Fyll beholderen (5) med klart vann.
- ◆ Fordel væsken inntil beholderen er tom.
- ◆ Gjenta dette 1 eller 2 ganger med rent vann.

Rengjøre fordelingsystemet (fig. H)

- ◆ Løsne munnstykket (3) og ta det av ved hjelp av rengjøringsverktøyet (18).
- ◆ Fyll beholderen (5) med varmt vann.
- ◆ Fordel væsken inntil beholderen er tom.
- ◆ Gjenta dette 1 eller 2 ganger med varmt vann.
- ◆ Sett munnstykket tilbake på plass. Vær forsiktig så du ikke strammer det for mye.

Fjerne urenheter som tetter fordelingsystemet (fig. H & I)

- ◆ Fyll beholderen (5) med rent, varmt vann, opp til "max"-linjen.
- ◆ Løsne munnstykket (3) og ta det av ved hjelp av rengjøringsverktøyet (18).
- ◆ Trykk på fordelingsknappen (2) mens du flere ganger stikker den fremre enden av rengjøringsverktøyet (18) inn i fordelingsrøret (22), inntil fordelingsystemet ikke lenger er tett.

Fordelingsystemet er ikke lenger tett, når du hører lyden av trykket som slipper ut, fulgt av vann fra munnstykket.

- ◆ Ta ut rengjøringsverktøyet. Fordel væsken inntil beholderen er tom.
- ◆ Gjenta dette 1 eller 2 ganger ved behov, for å gjenopprette full væskestrøm.
- ◆ Sett munnstykket tilbake på plass. Vær forsiktig så du ikke strammer det for mye.

Miljøvern



Kildesortering. Dette produktet må ikke kastes i det vanlige husholdningsavfallet.

Hvis du finner ut at Black & Decker-produktet ditt må skiftes ut, eller hvis du ikke lenger har bruk for det, må du unnlate å kaste det sammen med det vanlige husholdningsavfallet. Sørg for at dette produktet gjøres tilgjengelig for kildesortering.



Kildesortering av brukte produkter og emballasje gjør det mulig å resirkulere materialer og bruke dem igjen. Gjenbruk av resirkulerte materialer bidrar til å forhindre forspøling av miljøet og reduserer behovet for råmaterialer.

Lokale regelverk kan legge tilrette for kildesortering av elektriske produkter fra husholdningen, ved kommunale deponier eller gjennom forhandleren når du kjøper et nytt produkt.

Black & Decker har tilrettelagt for innsamling og resirkulering av Black & Decker-produkter etter at de har utspilt sin rolle. Ønsker du å benytte deg av denne tjenesten, returnerer du produktet ditt til et autorisert serviceverksted, som tar det imot og formidler det videre.

Du kan få adressen til ditt nærmeste autoriserte serviceverksted ved å kontakte ditt lokale Black & Decker-kontor på adressen oppgitt i denne håndboken. Du kan også finne en komplett liste over autoriserte Black & Decker-serviceverksteder og utfyllende informasjon om vår etter salg-service og kontaktnumre på Internett på følgende adresse:
www.2helpU.com

Batteri (fig. J & K)



Beskytt miljøet ved å levere kasserte batterier til kildesortering.

- ◆ Du bør lade ut batteriet ved å kjøre apparatet helt til motoren stopper.
- ◆ Bruk en flat skrutekey og skyv batteridekselet (23) inn ved sporet (24) på siden av dekselet, så det løsner og kan tas av.
- ◆ Ta tak i batterihuset og trekk batteriet ut av apparatet.
- ◆ Legg batteriet i egnet innpakning for å sikre at kontaktene ikke kan kortsluttes.
- ◆ Ta med batteriet til forhandleren eller den lokale resirkuleringsstasjonen.

Advarsel! Når batteriet først er fjernet, kan det ikke settes på igjen.

Tekniske data

		S600
Spenning	V_{DC}	3,6
Vekt	kg	0,9

CE-sikkerhetserklæring

S600

Black & Decker erklærer at disse verktøyer er konstruert i henhold til:
98/37/EØF, 89/336/EØF, 73/23/EØF, EN 55014, EN 60335, EN 61000

L_{DA} (lydnivå) < 70 dB(A), veid geometrisk middelverdi av vibrasjonsfrekvensen < 2,5 m/s²

Colin Wills
Director of Engineering
BDCI, 4/F, 2 Dai Wang Street
Tai Po Industrial Estate
Tai Po NT, Hong Kong
1-1-2005

Reservdeler / reparasjoner

Reservdeler kan kjøpes hos autoriserte Black & Decker serviceverksteder, som også gir kostnadsoverslag og reparerer våre produkter.

Oversikt over våre autoriserte serviceverksteder finnes på Internett, vår hjemmeside **www.blackanddecker.no** samt **www.2helpU.com**

Garanti

Black & Decker garanterer at produktet ikke har material- og/eller fabrikkasjonsfeil ved levering til kunde. Garantien er i tillegg til kundens lovlige rettigheter og påvirker ikke disse. Garantien gjelder innen medlemsstatene i den Europeiske Unionen og i det Europeiske Frihandelsområdet.

Hvis et Black & Decker produkt går i stykker på grunn av material- og/eller fabrikkasjonsfeil eller har mangler i forhold til spesifikasjonene, innen 24 måneder fra kjøpet, påtar Black & Decker seg å reparere eller bytte ut produktet med minst mulig vanskelighet for kunden.

Garantien gjelder ikke for feil som kommer av:

- ◆ normal slittasje
- ◆ feilaktig bruk eller vedlikehold (mislighold)
- ◆ at produktet har blitt skadet av fremmede gjenstander, emner eller ved et uhell

Det gjøres oppmerksom på at produktet ikke er beregnet på industriell/profesjonell/yrkesmessig bruk, men til hus- og hjemmebruk.

Garantien gjelder ikke om reparasjoner har blitt utført av noen andre enn et autorisert Black & Decker serviceverksted.

NORSK

For å ta garantien i bruk skal produktet og kjøpekvitteing leveres til forhandleren eller til et autorisert serviceverksted senest 2 måneder etter at feilen har blitt oppdaget. For informasjon om nærmeste autoriserte serviceverksted; kontakt det lokale Black & Decker kontoret på den adressen som er angitt i bruksanvisningen. En oversikt over alle autoriserte serviceverksteder samt servicevilkår finnes også tilgjengelig på Internet, adresse: **www.2helpU.com**

Vennligst stikk innom våre nettsider på **www.blackanddecker.no** for å registrere ditt nye Black & Decker-produkt og for å holde deg oppdatert om nye produkter og spesialtilbud. Du finner mer informasjon om Black & Decker og produktutvalget vårt på **www.blackanddecker.no**

Anvendelsesområde

Din Black & Decker Scumbuster® er beregnet til våde og tørre rengøringsformål.

Produktet er kun beregnet til husholdningsbrug.

Sikkerhedsinstruktioner

- ◆ **Advarsel!** Ved brug af batteridrevne apparater skal de grundlæggende sikkerhedsforanstaltninger, herunder nedenstående, altid følges, således at risikoen for brand, lækkende batterier og person- og materialeskader begrænses.
- ◆ Læs denne brugsanvisning omhyggeligt igennem, inden apparatet tages i brug.
- ◆ Apparatet skal bruges som beskrevet i denne brugsanvisning. Anvendelsen af andet tilbehør eller en anden anordning til dette apparat eller udførelse af andre opgaver end de her anbefalede kan medføre risiko for personskader.
- ◆ Opbevar denne brugsanvisning til fremtidig brug.

Brug af apparatet

- ◆ Hold børn og dyr på sikker afstand af apparatet, når det bruges.
- ◆ Brug aldrig apparatet i nærheden af brændbare dampe eller væsker.
- ◆ Dyp ikke apparatet ned i vand.

Efter brug

- ◆ Afbryd opladeren ved stikkontakten efter brug og før rengøring.
- ◆ Når apparatet ikke er i brug, skal det opbevares et tørt sted indendørs. Børn må ikke have adgang til opbevarede apparater.

Undersøgelse og reparation

- ◆ Før brug skal apparatet kontrolleres for skader eller defekte dele. Kontroller for brud på delene, for skader på knapper og andet, der kan have indflydelse på apparatets funktion.
- ◆ Apparatet må ikke benyttes, hvis nogen af delene er beskadigede eller defekte.
- ◆ Skadede eller defekte dele skal repareres eller udskiftes af en autoriseret tekniker.
- ◆ Kontroller jævnligt opladerens stik for skader. Udskift opladeren, hvis stikket er beskadiget eller defekt.
- ◆ Forsøg aldrig at fjerne eller udskifte andre dele end dem, der er specificeret i denne brugsanvisning.

Yderligere sikkerhedsanvisninger til batterier og opladere

Batterier

- ◆ Man må aldrig forsøge at åbne et batteri.
- ◆ Udsæt ikke batteriet for vand.

- ◆ Det må ikke opbevares i et lokale, hvor temperaturen overstiger 40 °C.
- ◆ Det må kun oplades ved omgivelsestemperaturer mellem 4 °C og 40 °C.
- ◆ Oplad kun med den vedlagte oplader.
- ◆ Ved bortskaffelse af batterier skal man følge vejledningen i afsnittet "Beskyttelse af miljøet".
- ◆ Under ekstreme forhold kan der forekomme batteriutætheder. Hvis man opdager væske på batteriet, skal man gå frem på følgende måde:
 - Tør forsigtigt væsken af med en klud. Undgå kontakt med huden.
 - I tilfælde af, at væsken kommer i kontakt med huden eller øjnene, skal man følge nedenstående vejledning.

Advarsel! Batterivæsken, en 25-30% opløsning af kaliumhydroxid, kan være skadelig. Ved hudkontakt skal stedet omgående skylles med vand. Neutralisér med en mild syre såsom citronsaft eller eddike. Rens med rigeligt rent vand i mindst 10 minutter, hvis det kommer i kontakt med øjnene. Opsøg læge.

- ◆ Brænd ikke batteriet.
- ◆ Oplad ikke beskadigede batterier.

Opladere

- ◆ Din Black & Decker lader må kun benyttes til Black & Decker batterier af samme slags, som de med værktøjet leverede batterier. Andre batterier kan eksplodere og derved forårsage personskader og skader på ting.
- ◆ Man må aldrig forsøge at genoplade ikke-opladelige batterier.
- ◆ Defekte ledninger skal straks udskiftes.
- ◆ Udsæt ikke opladeren for vand.
- ◆ Opladeren må ikke åbnes.
- ◆ Opladeren må ikke manipuleres.



Opladeren er kun beregnet til indendørs brug.

El-sikkerhed

Din oplader er beregnet til en specifik netspænding. Før brug skal det kontrolleres, at netspændingen svarer til den, der er angivet på typeskiltet.



Din oplader er dobbelt isoleret. Derfor er jordledning ikke nødvendig.

Funktioner

1. Afbryder
2. Dispenseringsknop
3. Mundstykke
4. Skrubbepeude og skive

5. Væskebeholder
6. Opladerkontakt

Tilbehør (fig. A)

Dette produkt er udstyret med følgende tilbehør:

7. Bred børste: til aggressiv rengøring på keramiske flisevægge og klinkegulve, fiberglas og hårde plastikoverflader
8. Pudeskive: til brug sammen med puderne
9. Blød skrubbepute (hvid): til blødere skrubning af store områder, f.eks. flisevægge og klinkegulve eller havemøbler
10. Grov skrubbepute (lyseblå): til aggressiv skrubning af større overflader, f.eks. keramiske flisevægge og klinkegulve eller badekar og håndvaske (porcelæn og emalje)
11. Kraftig skrubbepute (grøn): til aggressiv skrubning på store overflader, f.eks. grillriste
12. Radialbørste: til rengøring af flisefuger
13. Smal børste: til rengøring af hjørner og svært tilgængelige steder.
14. Tæppebørste: til rengøring af tæpper
15. Fleksibel anordning: til brug med børster og skrubbeputer på buede steder.
16. Bærevogn: til transportabel og bekvem opbevaring af enheden og tilbehøret
17. Vægbeslag: til opbevaring af enheden under opladning
18. Rengøringsspind: til fjernelse af tilstopning i dispenseringsystemet

Installation

Montering af vægbeslaget på væggen (fig. B)

Vægbeslaget kan monteres på væggen og er derved et praktisk opbevarings- og opladningssted for apparatet.

- ◆ Anbring vægbeslaget (17) inden for netforsyningsrækkevidde. Monter vægbeslaget ved hjælp af de relevante komponenter.
- ◆ Sæt opladeren i stikkontakten.
- ◆ Indsæt opladerens ledning i holderillen (19) i bunden af vægbeslaget. Sørg for, at der er tilstrækkelig ledning til at tilslutte opladerstikket (20) til apparatet, når dette er anbragt i vægbeslaget.

Advarsel! Monter ikke vægbeslaget lige over en stikkontakt. Sørg for at der er en løkke på ledningen når opladeren sættes i stikkontakten.

Samling

Advarsel! Før samling skal værktøjet slukkes.

Montering og fjernelse af tilbehør (fig. C)

Montering

- ◆ Ved brug af en pude skal den monteres på pudeskiven.

- ◆ Justér det trekantede hak på tilbehøret efter skafftet på motorenheden.
- ◆ Anbring tilbehøret på skafftet. Klik og drej tilbehøret hurtigt i retning med uret.

Demonerung

- ◆ Klik og drej hurtigt tilbehøret i retning mod uret, og træk det af motorenheden.

Montering af fleksibel anordning (fig. D)

Den fleksible anordning (15) skal monteres mellem motorenheden og tilbehøret.

- ◆ Monter den fleksible anordning på apparatet som beskrevet ovenfor.
- ◆ Monter tilbehøret på apparatets fleksible anordning.

Advarsel! Brug aldrig den fleksible anordning uden en børste eller skrubbepute på plads. Brug ikke den fleksible anordning til tæpperensning.

Anvendelse

- ◆ Før første ibrugtagning skal batteriet oplades i mindst 16 timer.
- ◆ Sæt apparatet i vægbeslaget, når det ikke er i brug.
- ◆ Lad apparatet være tilsluttet opladeren, når det ikke er i brug.

Opladning af batteriet (fig. E)

- ◆ Sørg for, at apparatet er slukket, før det sættes til opladning.
- ◆ Anbring apparatet i vægbeslaget (17) som vist.
- ◆ Sæt opladerstikket (20) i opladerens kontakt (6) på bagsiden af apparatet.
- ◆ Sæt opladeren i stikkontakten.

Indikatorlampen på opladeren lyser og vedbliver at lyse, så længe batteriet er tilsluttet opladeren.

- ◆ Oplad apparatet i mindst 16 timer.

Under opladningen kan opladeren blive varm. Det er normalt og er ikke noget problem. Apparatet kan være tilsluttet opladeren på ubestemt tid.

- ◆ Efter afbrydelse af apparatet fra opladeren skal opladerstikket sættes på plads igen.

Advarsel! Sæt ikke batteriet til opladning ved omgivende temperaturer under 4 °C eller over 40 °C.

Fyldning af væskebeholderen (fig. F)

Apparatet må kun fyldes med vandige husholdningsrengøringsmidler. Det må ikke fyldes med geler eller bløde skrubbemidler, da disse vil tilstoppe dispenseringsystemet.

- ◆ Hold apparatet over en vask med mundstykket (3) vendende som vist.
- ◆ Løsn væskebeholderhætten (21), og tag den af.

- ◆ Fyld beholderen (5) med det ønskede rengøringsmiddel op til "max"-linjen.
- ◆ Sæt hættten på igen, og sørg for, at den er ordentligt fastgjort.

Advarsel! Før fyldning af apparatet med et andet rengøringsmiddel skal du altid rengøre apparatet og skylle dispenseringsystemet med rent vand. Bland ikke forskellige rengøringsmidler.

Advarsel! Fyld ikke op over "max"-linjen på væskebeholderen.

Dispensering af væske (fig. G)

- ◆ Tryk på dispenseringsknappen (2). Væsken vil fortsætte med at blive dispenseret, så længe dispenseringsknappen holdes inde.

Advarsel! Væsken må ikke dispensereres imod udstyr, der indeholder elektriske komponenter såsom det indvendige af en ovn.

Start og stop (fig. G)

- ◆ Sæt apparatet på lav hastighed ved at indstille afbryderen på position 1.
- ◆ Sæt apparatet på høj hastighed ved at indstille afbryderen på position 2.
- ◆ Sluk for apparatet ved at sætte afbryderen på position 0.

Gode råd til optimalt brug

Apparatet kan bruges med en række forskellige rengøringsmidler, herunder midler til badeværelse, bil, terrassemøbler, tæpper og andet i en almindelig husholdning.

Rengøringsmiddelproducentens instruktioner skal altid følges.

Apparatet må ikke bruges med slibende midler.

Advarsel! Bær handsker og beskyttelsesbriller, hvis du bruger aggressive kemiske rengøringsmidler.

- ◆ Før du renser tæpper, bør du støvsuge dem grundigt.
- ◆ Hvis tæpperne er meget snavsede, dyppes shampoo-børsten i et rengøringsmiddel, og det snavsede område skrubbes. Skrub med cirkulerende bevægelser. Apparatet skal ikke holdes på ét sted. Når skummet er væk, skal tæppet tørre, og derefter skal det støvsuges igen.
- ◆ Hvis du er i tvivl om, hvorvidt apparatet kan bruges på en bestemt overflade, skal du teste processen først på et lille område, der ikke er synligt.

Rengøring og vedligeholdelse

- ◆ Man skal regelmæssigt gøre motoren ren med en fugtig klud. Der må ikke bruges skuremidler eller opløsningsmidler.
- ◆ Efter hver anvendelse renses tilbehøret med sæbevand.

- ◆ Rens væskedispenseringssystemet efter hver anvendelse og før opbevaring.

Rengøring af væskebeholderen (fig. F)

- ◆ Fjern væskebeholderdækslet (21).
- ◆ Tøm væskebeholderen (5), hvis det er nødvendigt.
- ◆ Tør indersiden af væskebeholderen af med en blød, fugtig klud, og skyl den med vand.

Rensning af mundstykket (fig. H)

- ◆ Løsn mundstykket (3), og fjern det med rengøringsværktøjet (18).
- ◆ Neddyp mundstykket i en halv time i rent, varmt vand.
- ◆ Rens rillerne i mundstykket med en fin, syntetisk børste.
- ◆ Sæt mundstykket på plads igen. Pas på, det ikke bliver overspændt.
- ◆ Fyld beholderen (5) med rent vand.
- ◆ Dispenser væske, indtil beholderen er tom.
- ◆ Gentag proceduren en eller to gange med rent vand.

Rensning af dispenseringsystemet (fig. H)

- ◆ Løsn mundstykket (3), og fjern det med rengøringsværktøjet (18).
- ◆ Fyld beholderen (5) med varmt vand.
- ◆ Dispenser væske, indtil beholderen er tom.
- ◆ Gentag proceduren en eller to gange med varmt vand.
- ◆ Sæt mundstykket på plads igen. Pas på, det ikke bliver overspændt.

Fjernelse af tilstopning i dispenseringsystemet (fig. H & I)

- ◆ Fyld beholderen (5) med rent varmt vand op til "max"-linjen.
- ◆ Løsn mundstykket (3), og fjern det med rengøringsværktøjet (18).
- ◆ Tryk på dispenseringsknappen (2), mens du indsætter den forreste ende af rengøringsværktøjet (18) i dispenseringsrøret (22) gentagne gange, til dispenseringsystemet ikke er tilstoppet mere.

Dispenseringsystemet er ikke tilstoppet mere, når du kan høre lyden af trykudløsningen fulgt af lyden af vand, der kommer ud af mundstykket.

- ◆ Fjern rengøringsværktøjet. Dispenser væske, indtil beholderen er tom.
- ◆ Gentag denne procedure en eller to gange efter behov for at genskabe fuldt flow.
- ◆ Sæt mundstykket på plads igen. Pas på, det ikke bliver overspændt.

Beskyttelse af miljøet



Separat indsamling. Dette produkt må ikke bortskaffes sammen med almindeligt husholdningsaffald.

Hvis du en dag skal udskifte dit Black & Decker produkt, eller hvis du ikke skal bruge det længere, må du ikke bortskaffe det sammen med husholdningsaffald. Dette produkt skal være tilgængeligt for separat indsamling.



Separat indsamling af brugte produkter og emballage gør det muligt at genbruge materialer. Genbrugte materialer forebygger miljøforurening og nedbringer behovet for råstoffer.

Lokale regler kan give mulighed for separat indsamling af elektriske husholdningsprodukter på kommunale lossepladser eller hos den forhandler, som du købte produktet af.

Black & Decker har en facilitet til indsamling og genbrug af Black & Decker-produkter, når deres levetid er slut. Få fordelene ved denne service ved at returnere produktet til en autoriseret tekniker, der samler værktøj sammen på vores vegne.

Du kan få oplyst den nærmeste autoriserede tekniker ved at kontakte det lokale Black & Decker-kontor på den adresse, der er angivet i denne brugsanvisning. Alternativt findes der en liste over autoriserede Black & Decker-teknikere og oplysninger om vores eftersalgsservice og kontaktpersoner på Internettet på adressen: www.2helpU.com

Batteri (fig. J & K)



Efter endt funktionstid skal batterierne kasseres med omtanke for miljøet.

- ◆ Det anbefales at aflade batteriet ved at lade det køre, til motoren standser.
- ◆ Ved hjælp af den flade skruetrækker skubbes batteridækslet (23) ind ved hakket (24) på siden af dækslet, så det løsnes og kan fjernes.
- ◆ Tag fat om batterikassen for at trække batteriet ud af apparatet.
- ◆ Læg batteriet i en dertil egnet emballage for at undgå, at polerne kortsluttes.
- ◆ Bring batteriet til din forhandler eller en lokal genbrugscentral.

Advarsel! Når batteriet er taget ud, kan det ikke monteres igen.

Tekniske data

		S600
Spænding	V _{DC}	3,6
Vægt	kg	0,9

EU-overensstemmelseserklæring

S600

Black & Decker erklærer, at disse værktøjer er konstrueret i henhold til:

98/37/EØF, 89/336/EØF, 73/23/EØF, EN 55014, EN 60335, EN 61000

L_{pA} (lydniveau) < 70 dB(A), hånd/arm vægt vibration < 2,5 m/s²

Colin Wills

Director of Engineering
BDCI, 4/F, 2 Dai Wang Street
Tai Po Industrial Estate
Tai Po NT, Hong Kong
1-1-2005

Reserve dele / reparationer

Reserve dele kan købes hos autoriserede Black & Decker serviceværksteder, som giver forslag til omkostninger og reparerer vore produkter. Oversigt over vore autoriserede værksteder findes på internettet på vor hjemmeside www.blackanddecker.dk samt www.2helpU.com

Garanti

Black & Decker garanterer, at produktet er fri for materielle skader og/eller fabriktionsfejl ved levering til kunden. Garantien er et tillæg til konsumentens lovlige rettigheder og påvirker ikke disse. Garantien gælder indenfor medlemsstaterne af den Europæiske Union og i det Europæiske Frihandelsområde.

Hvis et Black & Decker produkt går i stykker på grund af materiel skade og/eller fabriktionsfejl eller på anden måde ikke fungerer i overensstemmelse med specifikationen, inden for 24 måneder fra købsdatoen, påtager Black & Decker sig at reparere eller ombytte produktet med mindst muligt besvær for kunden.

Garantien gælder ikke for fejl og mangler, der er sket i forbindelse med:

- ◆ normal slitage
- ◆ uheldige følger efter unormal anvendelse af værktøjet
- ◆ overbelastning, hævvræk eller overdrevent intensivt brug af værktøjet
- ◆ ulykkeshændelse

Garantien gælder ikke hvis reparationer er udført af nogen anden end et autoriseret Black & Decker værksted.

For at udnytte garantien skal produktet og købskvitteringen indleveres til forhandleren eller til et autoriseret værksted, senest 2 måneder efter at fejlen opdages. For information om nærmeste autoriserede værksted: kontakt det lokale Black & Decker kontor på den adresse som er opgivet i brugsanvisningen. Liste over alle autoriserede Black & Decker serviceværksteder samt servicevilkår er tilgængelig på internettet, på adressen **www.2helpU.com**

Gå venligst ind på vores website **www.blackanddecker.dk** for at registrere dit nye produkt og for at blive holdt ajour om nye produkter og specialtilbud. Der findes yderligere oplysninger om mærket Black & Decker og vores produktsortiment på adressen **www.blackanddecker.dk**

Käyttötarkoitus

Black & Deckerin Scumbuster® on suunniteltu kuiva- ja märkäsiivoukseen.

Kone on tarkoitettu ainoastaan kotikäyttöön.

Turvaohjeet

- ◆ **Varoitus!** Akkukäyttöisiä laitteita käytettäessä on aina noudatettava mm. seuraavia turvallisuusohjeita, jotta tulipalojen, akkuvuotojen, henkilövahinkojen ja materiaalivaurioiden riski olisi mahdollisimman pieni.
- ◆ Lue käyttöohje huolellisesti ennen laitteen käyttöönottoa.
- ◆ Laitteen käyttötarkoitus kuvataan tässä käyttöohjeessa. Käytä laitetta ainoastaan sellaiseen työhön, johon se on tarkoitettu, ja käytä vain käyttöohjeessa ja tuotekuvastossa suositeltuja tarvikkeita ja lisälaitteita. Ohjeesta poikkeava käyttö voi aiheuttaa onnettomuuden.
- ◆ Säilytä käyttöohje kaikkien laitteen käyttäjien ulottuvilla.

Laitteen käyttö

- ◆ Työskentele turvallisen etäisyyden päässä lapsista ja eläimistä.
- ◆ Älä koskaan käytä laitetta herkästi syttyvien höyryjen tai nesteiden lähellä.
- ◆ Älä upota laitetta veteen.

Käytön jälkeen

- ◆ Irrota laturi virtalähteestä ennen puhdistamista ja käytön jälkeen.
- ◆ Säilytä laitetta kuivassa paikassa sisällä, kun se ei ole käytössä. Varmista, että lapset eivät pääse käsiksi laitteisiin.

Tarkastus ja korjaukset

- ◆ Tarkista ennen käyttöä, ettei laitteessa ole vaurioita tai viallisia osia. Tarkista, ettei laitteessa ole murtuneita osia, vaurioituneita kytkimiä tai muita seikkoja, jotka saattavat vaikuttaa sen toimintaan.
- ◆ Älä käytä laitetta, jos jokin sen osista on viallinen.
- ◆ Viallinen osa tulee korjata tai vaihtaa valtuutetussa Black & Deckerin huoltoliikkeessä.
- ◆ Tarkista laturin johdon pistoke säännöllisesti vaurioiden varalta. Vaihda laturi, jos sen pistoke on vaurioitunut tai viallinen.
- ◆ Älä koskaan yritä irrottaa tai vaihtaa sellaisia osia, joita ei ole määritelty tässä oppaassa.

Lisäturvaohjeet akuille ja latureille

Akut

- ◆ Älä koskaan yritä avata akkua.
- ◆ Älä altista akkua vedelle.
- ◆ Älä säilytä akkua paikassa, jonka lämpötila saattaa ylittää +40 °C.

- ◆ Lataa akku ainoastaan lämpötilan ollessa 4 °C - +40 °C.
- ◆ Lataa akku käyttäen ainoastaan koneen mukana toimitettua laturia.
- ◆ Kun poistat akun käytöstä, noudata kappaleessa ”Ympäristö” annettuja ohjeita.
- ◆ Ääriolosuhteissa akku saattaa vuotaa. Kun havaitset akusta tulevan nestettä, toimi seuraavasti:
 - Kuivaa neste varovasti pois siivoussiinalla. Vältä nesteen joutumista iholle.
 - Mikäli nestettä joutuu iholle tai silmiin, noudata alla olevia ohjeita:

Varoitus! Akkuneste (25-30 % kaliumhydroksidiliuosta) saattaa olla haitallista. Jos akkunestettä pääsee iholle, huuho se välittömästi vedellä. Neutralisoi akkuneste esim. etikalla tai sitruunamehulla. Jos akkunestettä joutuu silmiin, huuhtelee silmiä runsaalla puhtaalla vedellä vähintään 10 minuutin ajan. Ota yhteys lääkäriin.

- ◆ Älä polta akkua.
- ◆ Älä koskaan yritä ladata viallisia akkua.

Laturit

- ◆ Käytä Black & Decker-laturia ainoastaan koneen mukana toimitetun akun lataamiseen. Muunlaiset akut saattavat räjähtää aiheuttaen henkilö- ja esinevahinkoja.
- ◆ Älä koskaan yritä ladata ei-ladattavia akkua.
- ◆ Vaihda vialliset johdot välittömästi.
- ◆ Älä altista laturia vedelle.
- ◆ Älä avaa laturia.
- ◆ Älä vahingoita laturia.



Laturi on tarkoitettu vain sisäkäyttöön.

Sähköturvallisuus

Laturi on suunniteltu tietylle jännitteelle. Tarkista aina ennen laitteen käyttöä, että verkkojännite vastaa arvokilvessä ilmoitettua jännitettä.



Laturi on kaksoiseristetty; siksi erillistä maadoitusta ei tarvita.

Yleiskuvasu

1. Virrankatkaisija
2. Annostelupainike
3. Suutin
4. Hankausalusta ja -levy
5. Nestesäiliö
6. Laturin liitin

Varusteet (kuva A)

Tämä tuote toimitetaan seuraavien varusteiden kanssa:

7. Laajan alueen harjasharja: voimakkaaseen aluekohtaiseen puhdistamiseen: laattaseinät ja -lattiat, lasikuitu- ja kovamuovipinnat
8. Alustalevy: käytetään yhdessä alustojen kanssa
9. Kevyt hankausalusta (valkoinen): suurten alueiden kevyeen hankaamiseen, esimerkiksi laattaseinät ja -lattiat tai ulkokalusteet
10. Karkea hankausalusta (vaaleansininen): suurten pintojen voimakkaaseen hankaamiseen, esimerkiksi keraamiset laattaseinät ja -lattiat tai kylpyammeet ja lavuaarit (porsliini tai emali)
11. Raskas hankausalusta (vihreä): suurten pintojen, kuten grillien ritilöiden voimakkaaseen hankaukseen
12. Säteittäsharja: laattojen puhdistamiseen
13. Kapea harja: nurkkien ja vaikeapääsyisten paikkojen puhdistukseen
14. Mattoharja: mattojen puhdistamiseen
15. Taipuisa lisälaitte: harjojen ja hankausalustojen käyttöön kaarevissa paikoissa
16. Kantolaukku: laitteen ja sen varusteiden kuljettamiseen ja säilytykseen
17. Seinäteline: laitteen säilytykseen latauksen aikana
18. Puhdistuspuikko: annostelujärjestelmän tukkeumien poistamiseen

Asentaminen

Seinätelineen kiinnitys (kuva B)

Seinäteline voidaan kiinnittää seinään, jolloin se toimii sekä säilytys- että latauspaikkana.

- ◆ Sijoita seinäteline (17) siten, että se on pistorasian lähellä. Kiinnitä seinäteline asianmukaisilla laitteilla.
- ◆ Kytke laturi virtalähteeseen.
- ◆ Aseta laturin johto uraan (19), joka on seinätelineen pohjassa. Varmista, että johto on riittävän pitkä kytkeäksesi laturin pistokkeen (20) laitteeseen, kun laite on seinätelineessä.

Varoitus! Älä kiinnitä seinätelinettä suoraan virtalähteen päälle. Varmista, että johdossa on silmukka, kun laturi on kytketty virtalähteeseen.

Kokoaminen

Varoitus! Kytke kone pois päältä ennen kokoamista.

Varusteen asentaminen ja irrottaminen (kuva C)

Kiinnitys

- ◆ Kun käytät alustaa, asenna alusta alustalevyyn.

- ◆ Kohdistu varusteen kolmikulmainen lovi moottoriyksikön akselin kanssa.
- ◆ Aseta varuste akselille. Kierrä varustetta napsauttaen nopeasti myötäpäivään.

Poisto

- ◆ Kierrä varustetta napsauttaen nopeasti vastapäivään ja vedä se pois moottoriyksiköstä.

Taipuisan lisälaitteen kiinnitys (kuva D)

Taipuisa lisälaitte (15) on kiinnitettävä moottoriyksikön ja varusteen väliin.

- ◆ Kiinnitä taipuisa lisälaitte laitteeseen siten kuin yllä on kuvattu.
- ◆ Kiinnitä varuste taipuisaan lisälaitteeseen.

Varoitus! Älä käytä koskaan taipuisaa lisälaitetta ilman harjaa tai hankausalustaa. Älä käytä taipuisaa lisälaitetta mattojen puhdistukseen.

Käyttö

- ◆ Akkua täytyy ladata vähintään 16 tuntia ennen ensimmäistä käyttökertaa.
- ◆ Pidä laitetta seinätelineessä aina, kun sitä ei käytetä.
- ◆ Kytke laite aina laturiin, kun sitä ei käytetä.

Akun lataaminen (kuva E)

- ◆ Varmista ennen latausta, että laite on pois päältä.
- ◆ Aseta laite seinätelineeseen (17) kuvan osoittamalla tavalla.
- ◆ Liitä laturin pistoke (20) liittimeen (6), joka on laitteen takana.
- ◆ Kytke laturi virtalähteeseen.

Laturin merkkivalo syttyy ja palaa niin kauan kuin akku on kytketty laturiin.

- ◆ Anna laitteen latautua vähintään 16 tuntia. Laturi saattaa lämmetä latauksen aikana. Tämä on täysin normaalia eikä ole merkinä ongelmasta. Laite voi olla kytkettynä laturiin kuinka kauan tahansa.
- ◆ Kun laite on kytketty irti laturista, aseta laturin pistoke takaisin paikalleen.

Varoitus! Älä lataa akkua alle +4 °C:n tai yli +40 °C:n lämpötiloissa.

Nestesäiliön täyttö (kuva F)

Täytä laite vain nestemäisillä kotitalouden puhdistusaineilla. Älä täytä laitetta geeleillä tai hankausaineilla, koska ne tukkivat annostelujärjestelmän.

- ◆ Pidä laitetta pesualtaan päällä siten, että suutin (3) osoittaa alaspäin kuten kuvassa näkyy.
- ◆ Löysää nestesäiliön korkki (21) ja irrota se.

- ◆ Täytä säiliö (5) asianmukaisella puhdistusaineella "max"-merkkiin asti.
- ◆ Kiinnitä korkki ja varmista, että se on hyvin kiinni.

Varoitus! Ennen kuin täytät laitteen toisenlaisella puhdistusaineella, puhdista aina kotelo ja huuhtele annostelujärjestelmä puhtaalla vedellä. Älä sekoita puhdistusaineita keskenään.

Varoitus! Älä täytä nestesäiliötä koskaan "max"-merkin yläpuolelle.

Nesteen annostelu (kuva G)

- ◆ Paina annostelupainiketta (2). Nestettä tulee niin kauan kun annostelupainike pidetään painettuna.

Varoitus! Älä suihkuta nestettä laitteisiin, jotka sisältävät sähköisiä, kuten uunien sisäpuolelle.

Käynnistys ja pysäytys (kuva G)

- ◆ Kytkeäksesi laitteen päälle alhaisella nopeudella aseta virrankatkaisija asentoon 1.
- ◆ Kytkeäksesi laitteen päälle suurella nopeudella aseta virrankatkaisija asentoon 2.
- ◆ Sammuta laite asettamalla virrankatkaisija asentoon 0.

Vinkkejä parhaimman tuloksen saamiseksi

Laitetta voidaan käyttää monien eri puhdistusaineiden kanssa. Voit käyttää kylpyhuonetilojen, autojen, puutarhakalusteiden tai mattojen puhdistukseen tarkoitettuja aineita tai muita yleisiä kodin puhdistusaineita. Lue aina käytettävän puhdistusaineen valmistajan antamat ohjeet ja noudata niitä. Älä käytä laitetta yhdessä hankaavien puhdistusaineiden kanssa.

Varoitus! Käytä käsineitä ja silmäsuojuksia, kun käytät voimakkaita, kemiallisia puhdistusaineita.

- ◆ Imuroi matot huolellisesti ennen niiden puhdistamista.
- ◆ Jos matto on erittäin likainen, kasta sampooharja puhdistusaineliuokseen ja pese likaantunut alue. Liikuta laitetta ympyräliikkeillä. Älä pidä laitetta yhdessä paikassa, kun se on käynnissä. Kun vaahto on hävinnyt, anna sen kuivua ja imuroi matto tämän jälkeen.
- ◆ Jos olet epävarma laitteen käyttämisestä tietyllä pinnalla, testaa sitä ensin pieneen, huomaamattomaan kohtaan.

Puhdistus ja huolto

- ◆ Puhdista moottoriyksikkö säännöllisesti kostealla rievulla. Älä koskaan käytä puhdistamiseen liuotainaineita tai syövyttäviä puhdistusaineita.
- ◆ Puhdista varusteet jokaisen käyttökerran jälkeen saippuavedellä.

- ◆ Puhdista nesteen annostelujärjestelmä joka käytön jälkeen ja ennen varastointia.

Nestesäiliön puhdistus (kuva F)

- ◆ Poista nestesäiliön korkki (21).
- ◆ Tyhjennä nestesäiliö (5) tarvittaessa.
- ◆ Pyyhi nestesäiliön sisäpuoli pehmeällä, kostealla liinalla ja huuhtele vedellä.

Suuttimen puhdistaminen (kuva H)

- ◆ Löysää suutinta (3) ja poista se käyttäen puhdistustyökälua (18).
- ◆ Upota suutin puoleksi tunniksi puhtaaseen, lämpimään veteen.
- ◆ Puhdista suuttimen urat hienolla synteettisellä harjalla.
- ◆ Asenna suutin takaisin. Älä kierrä sitä liian tiukkaan.
- ◆ Täytä säiliö (5) puhtaalla vedellä.
- ◆ Päästä nestettä, kunnes säiliö on tyhjä.
- ◆ Toista tämä menettely kerran tai kahdesti käyttäen puhdasta vettä.

Annostelujärjestelmän puhdistaminen (kuva H)

- ◆ Löysää suutinta (3) ja poista se käyttäen puhdistustyökälua (18).
- ◆ Täytä säiliö (5) lämpimällä vedellä.
- ◆ Päästä nestettä, kunnes säiliö on tyhjä.
- ◆ Toista tämä menettely kerran tai kahdesti käyttäen lämmintä vettä.
- ◆ Asenna suutin takaisin. Älä kierrä sitä liian tiukkaan.

Annostelujärjestelmän tukkeutumien poistaminen (kuva H & I)

- ◆ Täytä säiliö (5) puhtaalla, lämpimällä vedellä "max"-merkkiin asti.
- ◆ Löysää suutinta (3) ja poista se käyttäen puhdistustyökälua (18).
- ◆ Paina annostelupainiketta (2) samalla, kun työnnyt puhdistustyökäluun (18) etuosaa annosteluputkeen (22) toistuvasti niin kauan, että annostelujärjestelmä ei ole enää tukossa.

Annostelujärjestelmä ei ole enää tukossa, kun kuuluu ääni paineen poistuessa, minkä jälkeen vesi poistuu suuttimesta.

- ◆ Poista puhdistustyökälu. Päästä nestettä, kunnes säiliö on tyhjä.
- ◆ Toista tämä menettely kerran tai kahdesti täyden virtauksen palauttamiseksi.
- ◆ Asenna suutin takaisin. Älä kierrä sitä liian tiukkaan.

Ympäristön suojele



Erillinen keräys. Tätä tuotetta ei saa hävittää normaalin kotitalousjätteen kanssa.

Kun Black & Decker -koneesi on käytetty loppuun, älä hävitä sitä kotitalousjätteen mukana. Tämä tuote on kerättävä erikseen.



Käytettyjen tuotteiden ja pakkausten erillinen keräys mahdollistaa materiaalien kierrätyksen ja uudelleenkäytön. Kierrätettyjen materiaalien uudelleenkäyttö auttaa ehkäisemään ympäristön saastumisen ja vähentää raaka-aineiden kysyntää.

Paikallisten säännösten mukaisesti on mahdollista viedä kotitalouksien sähkölaitteet kuntien kaatopaikoille tai jättää ne vähittäismyymälälle ostettaessa uusi tuote.

Black & Decker tarjoaa mahdollisuuden Black & Decker –tuotteiden keräykseen ja kierrätykseen sen jälkeen, kun ne on poistettu käytöstä. Jotta voisit hyötyä tästä palvelusta, palauta laitteesi johonkin valtuutettuun huoltoliikkeeseen, joka kerää laitteet meidän puolestamme.

Voit tarkistaa lähimmän valtuutetun huoltoliikkeen sijainnin ottamalla yhteyden Black & Deckerin toimistoon, joka sijaitsee tässä käsikirjassa annetussa osoitteessa. Lista valtuutetuista Black & Decker -huoltoliikkeistä sekä yksityiskohtaiset tiedot korjauspalvelustamme ovat vaihtoehtoisesti saatavilla Internetissä, osoitteessa www.2helpU.com

Akku (kuva J & K)



Die loppuun käytetyt akut niille tarkoitettuun keräyspaikkaan tai -astiaan.

- ◆ Tyhjennä akku käyttämällä laitetta, kunnes moottori pysähtyy.
- ◆ Käytä tasapäistä ruuvitaltaa ja työnnä akun kantta (23) kannen sivussa olevaan loveen (24) niin, että se voidaan irrottaa.
- ◆ Ota kiinni akkukotelosta ja vedä akku ulos laitteesta.
- ◆ Laita akku sopivaan pakkaukseen siten, etteivät navat pääse oikosulkuun.
- ◆ Voit viedä akut niille tarkoitettuun keräysastiaan tai paikalliseen kierrätyskeskukseen.

Varoitus! Kun akku on irrotettu, sitä ei voi enää laittaa takaisin.

Tekniset tiedot

		S600
Jännite	V_{DC}	3,6
Paino	kg	0,9

CE-vaatimustenmukaisuusvakuutus

S600

Black & Decker vakuuttaa, että nämä työkalut ovat 98/37/EC, 89/336/EEC, 73/23/EEC, EN 55014, EN 60335, EN 61000 mukaiset.

L_{pA} (äänenpaine) < 70 dB(A), värinätaajuuden painotettu geometrinen keskiarvo < 2,5 m/s²

Colin Wills

Director of Engineering
BDCI, 4/F, 2 Dai Wang Street
Tai Po Industrial Estate
Tai Po NT, Hong Kong
1-1-2005

Korjaukset / varaosat

Mikäli koneeseen tulee vikaa, jätä se aina Black & Deckerin valtuuttamaan huoltoliikkeeseen korjattavaksi (tiedot löytyvät uusimmasta tuoteluettelostamme tai ottamalla yhteyttä Black & Decker Oy:hyn). Varaosia myyvät valtuutetut Black & Deckerin huoltoliikkeet, ja heiltä voi myös pyytää kustannusarvion koneen korjauksesta.

Tiedot valtuutetuista huoltoliikkeistä löytyvät myös internetistä osoitteesta www.2helpU.com sekä kotisivuiltamme www.blackanddecker.fi

Takuu

Black & Decker Oy takaa, ettei koneessa ollut materiaali- ja/ tai valmistusvikaa silloin, kun se toimitettiin ostajalle. Takuu on lisäksi kuluttajan laillisiin oikeuksiin eikä vaikuta niihin. Takuu on voimassa Euroopan Unionin jäsenmaissa ja Euroopan vapaakauppa-alueella (EFTA).

Mikäli Black & Decker -kone hajoaa materiaali- ja/tai valmistusvirheen tai teknisten tietojen epätarkkuuden vuoksi 24 kk:n kuluessa ostopäivästä, Black & Decker korjaa koneen ilman kustannuksia ostajalle tai vaihtaa sen uuteen Black & Decker Oy:n valinnan mukaan.

Takuu ei kata vikoja, jotka johtuvat koneen

- ◆ normaalista kulumisesta
- ◆ ylikuormituksesta, virheellisestä käytöstä tai hoidosta
- ◆ vahingoittamisesta vieraalla esineellä tai aineella tai onnettomuustapauksessa.

Takuu ei ole voimassa, mikäli konetta on korjannut joku muu kuin Black & Deckerin valtuuttama huoltoliike.

Edellytyksenä takuun saamiselle on, että ostaja jättää koneen ja ostokuitin jälleenmyyjälle tai valtuutetulle huoltoliikkeelle viimeistään 2 kuukauden kuluessa vian ilmenemisestä.

Tiedot valtuutetuista huoltoliikkeistä saa ottamalla yhteyttä Black & Decker Oy:hyn sekä internetistä osoitteesta **www.2helpU.com**, jossa on myös takuehdot.

Voit vieraillla verkkosivullamme **www.blackanddecker.fi** rekisteröidäksesi uuden Black & Decker-tuotteesi ja saadaksesi tietoa uusista tuotteista ja erikoistarjouksista. Saat lisätietoja Black & Deckerin tavaramerkistä ja tuotevalikoimastamme osoitteesta **www.blackanddecker.fi**

Ενδεδειγμένη χρήση

Το δική σας συσκευή καθαρισμού Scumbuster® της Black & Decker έχει σχεδιαστεί για ελαφρές εργασίες υγρού και ξηρού καθαρισμού.

Αυτό το προϊόν προορίζεται μόνο για οικιακή χρήση.

Οδηγίες ασφαλείας

- ◆ **Προειδοποίηση!** Κατά τη χρήση επαναφορτιζόμενων συσκευών, θα πρέπει πάντα να λαμβάνονται οι βασικές προφυλάξεις ασφαλείας, για τον περιορισμό του κινδύνου πυρκαγιάς, διαρροής υγρού από μπαταρίες, σωματικών βλαβών και υλικών ζημιών.
- ◆ Πριν χρησιμοποιήσετε τη συσκευή, διαβάστε προσεκτικά ολόκληρο το εγχειρίδιο.
- ◆ Η ενδεδειγμένη χρήση περιγράφεται σε αυτό το εγχειρίδιο. Η χρήση οποιασδήποτε αξεσουάρ ή προσθήκης ή η απόδοση οποιασδήποτε λειτουργίας με αυτή τη συσκευή, εκτός αυτών που προτείνονται σε αυτό το εγχειρίδιο οδηγίων, εγκυμονεί κίνδυνο τραυματισμού.
- ◆ Φυλάξτε το εγχειρίδιο αυτό για να μπορείτε να ανατρέξετε σε αυτό στο μέλλον.

Χρήση της συσκευής σας

- ◆ Φροντίστε τα παιδιά και τα ζώα να βρίσκονται σε απόσταση ασφαλείας όταν χρησιμοποιείτε τη συσκευή αυτή.
- ◆ Μην χρησιμοποιείτε τη συσκευή κοντά σε εύφλεκτα αέρια ή υλικά.
- ◆ Μη βυθίζετε τη συσκευή σε νερό.

Μετά τη χρήση

- ◆ Βγάλτε το φορτιστή από την πρίζα μετά τη χρήση και πλιν τον καθαρίσετε.
- ◆ Όταν δεν χρησιμοποιείται, η συσκευή πρέπει να φυλάσσεται σε ξηρό εσωτερικό χώρο. Τα παιδιά δεν πρέπει να έχουν πρόσβαση στις αποθηκευμένες συσκευές.

Ελεγχος και επισκευές

- ◆ Πριν τη χρήση, ελέγξτε τη συσκευή για τυχόν φθαρμένα ή ελαττωματικά εξαρτήματα. Ελέγξτε για εξαρτήματα που πιθανόν να έχουν σπάσει, για διακόπτες που πιθανόν να έχουν πάθει ζημιά και γενικά κάθε είδους συνθήκες που θα μπορούσαν ενδεχομένως να επηρεάσουν τη λειτουργία της συσκευής.
- ◆ Μη χρησιμοποιείτε τη συσκευή εάν κάποιο εξάρτημά της έχει πάθει ζημιά ή παρουσιάζει ελάττωμα.
- ◆ Ζητήστε από εξουσιοδοτημένο συνεργείο σέρβις την επισκευή ή την αντικατάσταση όλων των φθαρμένων ή ελαττωματικών εξαρτημάτων.
- ◆ Να ελέγχετε τακτικά το καλώδιο του φορτιστή για φθορές. Αντικαταστήστε το φορτιστή εάν το καλώδιο είναι φθαρμένο ή ελαττωματικό.

- ◆ Μην επιχειρήσετε ποτέ να αφαιρέσετε ή να αντικαταστήσετε εξαρτήματα εκτός αυτών που προσδιορίζονται σε αυτό το εγχειρίδιο.

Επιπρόσθετες οδηγίες ασφαλείας για μπαταρίες και φορτιστές

Μπαταρίες

- ◆ Μην επιχειρήσετε ποτέ να την ανοίξετε, για κανένα λόγο.
- ◆ Μην εκθέτετε την μπαταρία σε νερό.
- ◆ Μην την αποθηκεύετε σε χώρους όπου η θερμοκρασία μπορεί να υπερβεί τους 40 °C.
- ◆ Να τη φορτίζετε μόνο σε θερμοκρασία περιβάλλοντος μεταξύ 4 °C και 40 °C.
- ◆ Η φόρτιση πρέπει να γίνεται μόνο με το φορτιστή που παρέχεται με το εργαλείο.
- ◆ Όσον αφορά την απόρριψη των μπαταριών, ακολουθήστε τις οδηγίες που παρατίθενται στην ενότητα "Προστασία του περιβάλλοντος".
- ◆ Σε περίπτωση έκθεσης σε ακραίες συνθήκες, η μπαταρία ενδέχεται να παρουσιάσει διαρροή. Αν παρατηρήσετε υγρά στην μπαταρία, ενεργήστε ως ακολούθως:
 - Σκουπίστε προσεκτικά τα υγρά με ένα πανί. Αποφύγετε την επαφή με το δέρμα.
 - Σε περίπτωση επαφής με το δέρμα ή τα μάτια, ακολουθήστε τις παρακάτω οδηγίες.

Προειδοποίηση! Το υγρό μπαταριών, ένα διάλυμα 25-30% υδροξειδίου του καλίου, μπορεί να είναι βλαβερό. Σε περίπτωση δερματικής επαφής, ξεπλύνετε αμέσως με νερό. Εξουδετερώστε με ήπιο οξύ όπως χυμός λεμονιού ή ξίδι. Σε περίπτωση επαφής με τα μάτια, ξεπλύνετε με άφθονο καθαρό νερό για τουλάχιστον 10 λεπτά. Συμβουλευτείτε γιατρό.

- ◆ Μην καίτε την μπαταρία.
- ◆ Μην φορτίζετε κατεστραμμένες μπαταρίες.

Φορτιστές

- ◆ Χρησιμοποιήστε μόνο το φορτιστή της Black & Decker για τη φόρτιση μπαταριών του τύπου που συνοδεύει το εργαλείο σας. Σε άλλες μπαταρίες ενδέχεται να σημειωθεί διάρρηξη, προκαλώντας τραυματισμό και ζημιά.
- ◆ Μην επιχειρήσετε ποτέ να επαναφορτίσετε μη επαναφορτιζόμενες μπαταρίες.
- ◆ Αντικαταστήστε αμέσως τα ελαττωματικά καλώδια.
- ◆ Μην εκθέτετε το φορτιστή σε νερό.
- ◆ Μην ανοίγετε το φορτιστή.
- ◆ Μην επιχειρήσετε να διερευνήσετε το εσωτερικό του φορτιστή.



Ο φορτιστής προορίζεται μόνο για χρήση σε εσωτερικούς χώρους.

Ασφαλής χρήση του ηλεκτρικού ρεύματος

Ο φορτιστής σας έχει σχεδιαστεί για συγκεκριμένες τάσεις τροφοδοσίας. Ελέγχετε πάντα αν η τάση τροφοδοσίας αντιστοιχεί σε αυτήν που αναγράφεται στην πινακίδα χαρακτηριστικών.



Ο φορτιστής σας φέρει διπλή μόνωση, επομένως δεν απαιτείται σύρμα γείωσης.

Χαρακτηριστικά

1. Διακόπτης on/off
2. Μπουτόν εκτελέσεως
3. Στόμιο
4. Σφουγγαράκι καθαρισμού & δίσκος
5. Δοχείο υγρού
6. Υποδοχή για φορτιστή

Εξαρτήματα (εικ. Α)

Το προϊόν αυτό συνοδεύεται από τα εξής εξαρτήματα:

7. Βούρτσα με τρίχες για ευρεία επιφάνεια: για δύσκολες επιφάνειες τοίχων και πατωμάτων από κεραμικό πλακάκι, ίνες γυαλιού και πλαστικό
8. Δίσκος για το σφουγγαράκι: για χρήση με σφουγγαράκια
9. Μαλακό σφουγγαράκι καθαρισμού (άσπρο): για ήπιο καθαρισμό μεγάλων επιφανειών, όπως κεραμικά πλακάκια σε τοίχους και πατώματα ή έπιπλα εξωτερικού χώρου
10. Χοντρό σφουγγαράκι καθαρισμού (ανοιχτό μπλε): για καθαρισμό με έντονη τριβή μεγαλύτερων επιφανειών, όπως κεραμικά πλακάκια σε τοίχους και πατώματα ή μπανιέρες και νιπτήρες (από πορσελάνη ή εμαγιτέ)
11. Σκληρό σφουγγαράκι καθαρισμού (πράσινο): Για δυνατό καθάρισμα σε μεγάλες επιφάνειες, όπως σχάρες ψησταριάς
12. Βούρτσα σπιράλ: για καθαρισμό των περιοχών ένωσης ανάμεσα στα πλακάκια
13. Στενή βούρτσα: Για καθαρισμό γωνιών και δύσκολων σημείων
14. Βούρτσα μοκέτας για καθαρισμό χαλιών
15. Εύκαμπτα εξαρτήματα: Για την χρήση βουρτσών και σφουγγαριών καθαρισμού σε καμπυλωτά σημεία
16. Φορητή θήκη: για μεταφορά και εύκολη αποθήκευση της συσκευής και των εξαρτημάτων.
17. Επίτοιχη βάση για την αποθήκευση της μονάδας κατά τη φόρτωση
18. Βέργα καθαρισμού: για το ξεβούλωμα του σύστημα διανομής

Εγκατάσταση**Τοποθέτηση της επίτοιχης θάσης στον τοίχο (εικ. Β)**

Η επίτοιχη βάση μπορεί να τοποθετηθεί στον τοίχο, αποτελώντας έτσι ένα βολικό σημείο φύλαξης και φόρτισης της συσκευής.

- ◆ Τοποθετήστε την επίτοιχη βάση (17) κοντά στην παροχή ρεύματος. Τοποθετήστε τη βάση χρησιμοποιώντας το κατάλληλο εργαλείο.
- ◆ Συνδέστε το φορτιστή στην πρίζα.
- ◆ Τοποθετήστε το καλώδιο του φορτιστή στο αυλάκι (19) στο κάτω μέρος της βάσης. Επιτρέψτε αρκετό καλώδιο για την σύνδεση του βύσματος του φορτιστή (20) στη συσκευή όταν τοποθετείται στη βάση.

Προειδοποίηση! Μην τοποθετήσετε τη βάση κατευθείαν επάνω σε παροχή ρεύματος. Βεβαιωθείτε ότι το καλώδιο έχει μια θηλιά όταν ο φορτωτής είναι συνδεδεμένος με την παροχή.

Συναρμολόγηση

Προειδοποίηση! Πριν την συναρμολόγηση, σβήστε το εργαλείο.

Τοποθέτηση και αφαίρεση των εξαρτημάτων (εικ. C)**Τοποθέτηση**

- ◆ Όταν χρησιμοποιείτε σφουγγαράκι, τοποθετήστε το σφουγγαράκι στο δίσκο για σφουγγαράκι.
- ◆ Ευθυγραμμίστε τις τριγωνικές εγκοπές του εξαρτήματος με τον άξονα στο μοτέρ της συσκευής.
- ◆ Τοποθετήστε το εξάρτημα πάνω στον άξονα. Κουμπώστε και στρέψτε το εξάρτημα γρήγορα δεξιόστροφα.

Αφαίρεση

- ◆ Κουμπώστε και στρέψτε το εξάρτημα γρήγορα αριστερόστροφα και βγάλτε το από την μονάδα του κινητήρα.

Τοποθέτηση εύκαμπτου εξάρτημα (εικ. D)

Το εύκαμπτο εξάρτημα (15) πρέπει να τοποθετηθεί ενδιάμεσα την μονάδα του κινητήρα και το εξάρτημα.

- ◆ Τοποθετήστε το εύκαμπτο εξάρτημα στη συσκευή όπως περιγράφετε πιο πάνω.
- ◆ Τοποθετήστε το εξάρτημα στο εύκαμπτο εξάρτημα της συσκευής.

Προειδοποίηση! Μην χρησιμοποιήσετε ποτέ το εύκαμπτο εξάρτημα χωρίς μια βούρτσα ή σφουγγαράκι καθαρισμού. Μην χρησιμοποιείτε το εύκαμπτο εξάρτημα για να καθαρίσετε χαλιών.

Χρήση

- ◆ Πριν από την πρώτη χρήση, η μπαταρία θα πρέπει να φορτιστεί επί τουλάχιστον 16 ώρες.
- ◆ Τοποθετήστε τη συσκευή στην επίτοιχη βάση φόρτισης οποτεδήποτε δεν χρησιμοποιείται.
- ◆ Αφήστε τη συσκευή συνδεδεμένη στον φορτιστή όταν είναι εκτός χρήσης.

Φόρτιση της μπαταρίας (εικ. Ε)

- ◆ Πριν τη φόρτιση, βεβαιωθείτε ότι η συσκευή είναι εκτός λειτουργίας.
- ◆ Τοποθετήστε τη συσκευή στη βάση (17) όπως φαίνεται στην εικόνα.
- ◆ Εισαγάγετε το βύσμα φορτιστή (20) στο ακροδέκτη σύνδεσης (6) στην πίσω πλευρά της συσκευής.
- ◆ Συνδέστε το φορτιστή στην πρίζα.

Η φωτεινή ένδειξη στο φορτιστή θα ανάψει και θα μείνει αναμμένη όσο η μπαταρία βρίσκεται στο φορτιστή.

- ◆ Αφήστε τη συσκευή να φορτίσει επί τουλάχιστον 16 ώρες. Κατά τη φόρτιση, υπάρχει η πιθανότητα να θερμανθεί ο φορτιστής. Αυτό είναι φυσιολογικό και δεν αποτελεί πρόβλημα. Η συσκευή μπορεί να παραμείνει συνδεδεμένη στο φορτιστή για απεριόριστο χρονικό διάστημα.
- ◆ Μετά την αποσύνδεση της συσκευής από τον φορτιστή, τοποθετήστε ξανά το βύσμα φόρτισης.

Προειδοποίηση! Μην φορτίζετε τη μπαταρία σε θερμοκρασίες περιβάλλοντος κάτω από 4 °C ή πάνω από 40 °C.

Τοποθέτηση του δοχείου νερού (εικ. F)

Γεμίστε τη συσκευή μόνο με νερούλα σπιντικά μέσα καθαρισμού. Μην γεμίσετε τη συσκευή με τζελ ή μαλακά σφουγγάρια διότι αυτά θα βουλώσουν το σύστημα διανομής.

- ◆ Κρατήστε τη συσκευή πάνω από τον νεροχύτη με το στόμιο (3) προς τα κάτω όπως δείχνεται.
- ◆ Χαλαρώστε τη βίδα του δοχείου υγρού (21) και βγάλτε την.
- ◆ Γεμίστε το δοχείο (5) με το κατάλληλο μέσο καθαρισμού μέχρι τη γραμμή "max".
- ◆ Επανατοποθετήστε το καπάκι, και βεβαιωθείτε ότι έχει κλείσει καλά.

Προειδοποίηση! Πριν γεμίσετε τη συσκευή με ένα διαφορετικό μέσο καθαρισμού, καθαρίστε πάντα το περίβλημα και ξεπλύνετε το σύστημα διανομής με καθαρό νερό. Μην ανακατεύετε διαφορετικά μέσα καθαρισμού.

Προειδοποίηση! Μην γεμίσετε ποτέ το δοχείο υγρού πάνω από τη γραμμή "max".

Υγρό διανομής (εικ. G)

- ◆ Πατήστε το κουμπί διανομής (2). Το υγρό συνεχίζει να διανέμεται όσο καιρό το κουμπί διανομής κρατείται πατημένο.

Προειδοποίηση! Μην διανέμει τον υγρό ο ξοπλισμό που πριέχει ηλεκτρικά εξαρτήματα, όπως το σωτηρικό φούρνων.

Θέση εντός και εκτός λειτουργίας (εικ. G)

- ◆ Για να ενεργοποιηθεί η συσκευή σε χαμηλή ταχύτητα, βάλτε το διακόπτη λειτουργίας στη θέση 1.
- ◆ Για να ενεργοποιηθεί η συσκευή σε υψηλή ταχύτητα, βάλτε το διακόπτη λειτουργίας στη θέση 2.
- ◆ Για να σβήσετε τη συσκευή, βάλτε το διακόπτη λειτουργίας στη θέση 0.

Συμβουλές για άριστη χρήση

Η συσκευή μπορεί να χρησιμοποιηθεί με μια ποικιλία μέσων καθαρισμού, συμπεριλαμβανομένων μέσων καθαρισμού για μάντιο, αυτοκίνητα, έπιπλα, μοκέτες και άλλων μέσων καθαρισμού οικιακής χρήσης. Να διαβάζετε και να ακολουθείτε πάντα τις οδηγίες του κατασκευαστή σχετικά με το μέσο καθαρισμού που χρησιμοποιείτε. Μην χρησιμοποιείτε τη συσκευή με στιλβωτικά μέσα καθαρισμού.

Προειδοποίηση! Να φοράτε γάντια και προστατευτικά γυαλιά όταν χρησιμοποιείτε δυνατά χημικά μέσα καθαρισμού.

- ◆ Πριν καθαρίσετε μοκέτες, σκουπίστε την επιφάνεια με ηλεκτρική σκούπα.
- ◆ Για μοκέτες με χόμα, βυθίστε τη βούρτσα σε ένα διάλυμα με καθαριστικό μέσο και σαπουνίστε την περιοχή όπου υπάρχει χόμα. Μετακινείτε τη συσκευή κυκλικά. Μην κρατάτε τη συσκευή σε ένα συγκεκριμένο μέρος κατά τη χρήση. Μόλις ο αφρός εξαφανιστεί, αφήστε το να στεγνώσει σκουπίστε τη μοκέτα με ηλεκτρική σκούπα.
- ◆ Εάν δεν είστε σίγουροι για τη χρήση της συσκευής για κάποια συγκεκριμένη επιφάνεια, δοκιμάστε τη σε κάποια μικρή επιφάνεια που βρίσκεται σε σημείο που δεν είναι εύκολα ορατό.

Καθαρισμός και συντήρηση

- ◆ Να καθαρίζετε τακτικά το μοτέρ χρησιμοποιώντας ένα βρεγμένο πανί. Μην χρησιμοποιείτε αποξεστικά καθαριστικά ή υγρά καθαρισμού που περιέχουν διαλύτες.
- ◆ Μετά από κάθε χρήση, καθαρίστε τα εξαρτήματα με αφρώδες σαπούνι.
- ◆ Καθαρίστε το σύστημα διανομής υγρού μετά από κάθε χρήση και πριν την αποθήκευση.

Καθαρισμός του δοχείου υγρού (εικ. F)

- ◆ Αφαιρέστε το καπάκι του δοχείου υγρού (21).
- ◆ Αδειάστε το δοχείο υγρού (5) αν χρειαστεί.
- ◆ Σκουπίστε το εσωτερικό του δοχείου υγρού με ένα μαλακό υγρό πανί και ξεπλύνετε με νερό.

Καθαρισμός του στομίου (εικ. H)

- ◆ Χαλαρώστε το στόμιο (3) και βγάλτε το χρησιμεύοντας το εργαλείο καθαρισμού (18).
- ◆ Βυθίστε το στόμιο για μισή ώρα σε καθαρό ζεστό νερό.

- ◆ Καθαρίστε τα αυλάκια στο στόμιο χρησιμοποιώντας μια μικρή συνθετική βούρτσα.
- ◆ Τοποθετήστε Ξανά το στόμιο. Προσέξτε να μην το παρασφίξετε.
- ◆ Γεμίστε το δοχείο (5) με καθαρό νερό.
- ◆ Διανέμετε το υγρό μέχρι να αδειάσει το δοχείο.
- ◆ Επαναλάβετε τη διαδικασία 1 - 2 φορές με καθαρό νερό.

Καθαρισμός του σύστημα διανομής (εικ. Η)

- ◆ Χαλαρώστε το στόμιο (3) και βγάλτε το χρησιμοποιώντας το εργαλείο καθαρισμού (18).
- ◆ Γεμίστε το δοχείο (5) με ζεστό νερό.
- ◆ Διανέμετε το υγρό μέχρι να αδειάσει το δοχείο.
- ◆ Επαναλάβετε τη διαδικασία 1 - 2 φορές με ζεστό νερό.
- ◆ Τοποθετήστε Ξανά το στόμιο. Προσέξτε να μην το παρασφίξετε.

Ξεβούλωμα του σύστημα διανομής (εικ. Η & Ι)

- ◆ Γεμίστε το δοχείο (5) με το καθαρό ζεστό νερό μέχρι τη γραμμή "max".
- ◆ Χαλαρώστε το στόμιο (3) και βγάλτε το χρησιμοποιώντας το εργαλείο καθαρισμού (18).
- ◆ Πατήστε το μπουτόν διανομής (2), εισάγοντας το μπροστινό άκρος του εργαλείου καθαρισμού (18) στο σύστημα διανομής (22) συνέχεια μέχρι να ξεβουλώσει το σύστημα διανομής.

Το σύστημα διανομής έχει ξεβουλώσει όταν ακούγεται ο ήχος της πίεσης και στη συνέχεια η εξαγωγή νερού από το στόμιο.

- ◆ Βγάλτε το εργαλείο καθαρισμού. Διανέμετε το υγρό μέχρι να αδειάσει το δοχείο.
- ◆ Επαναλάβετε την διαδικασία 1 η 2 φορές όπως χρειαστεί για να επαναφέρετε την κανονική ροή.
- ◆ Τοποθετήστε Ξανά το στόμιο. Προσέξτε να μην το παρασφίξετε.

Διάθεση εργαλείων και περιβάλλον



Ξεχωριστή συλλογή. Αυτό το προϊόν δεν πρέπει να απορριφθεί με συνηθισμένα σπτικά απορρίμματα.

Εάν κάποια μέρα διαπιστώσετε ότι το προϊόν σας Black & Decker χρειάζεται αντικατάσταση ή δεν σας χρησιμεύει πλέον, μην το απορρίψετε με τα σπτικά απορρίμματα. Κάντε αυτό το προϊόν διαθέσιμο για ξεχωριστή συλλογή.



Η ξεχωριστή συλλογή χρησιμοποιημένων προϊόντων και συσκευασιών επιτρέπει την ανακύκλωση υλικών. Η επανάχρηση ανακυκλωμένων υλικών βοηθάει την προστασία του περιβάλλον και μειώνει την ζήτηση για σπάνια υλικά.

Οι τοπικοί κανονισμοί μπορεί να παρέχουν ξεχωριστή συλλογή ηλεκτρικών προϊόντων από κατοικίες, δημοτικές τοποθεσίες απορριμμάτων ή από τον έμπορα όταν αγοράσατε το καινούργιο προϊόν.

Η Black & Decker δίνει τη δυνατότητα συλλογής και ανακύκλωσης των προϊόντων της που έχουν συμπληρώσει τη διάρκεια ζωής τους. Αν θέλετε να χρησιμοποιήσετε την εν λόγω υπηρεσία, επιστρέψτε το προϊόν σας σε οποιοδήποτε εξουσιοδοτημένο κέντρο επισκευών, όπου θα το παραλάβουν εκ μέρους σας.

Ενημερωθείτε για το πλησιέστερο κέντρο επισκευών της περιοχής σας, επικοινωνώντας με τα γραφεία της Black & Decker στη διεύθυνση που αναγράφεται στο εγχειρίδιο. Επίσης, για να πληροφορηθείτε τα εξουσιοδοτημένα κέντρα επισκευών της Black & Decker και τις λεπτομέρειες και τους αρμόδιους των υπηρεσιών που παρέχονται μετά την πώληση, μπορείτε να ανατρέξετε στο Διαδίκτυο στη διεύθυνση:

www.2helpU.com

Μπαταρία (εικ. J & K)



Όταν πλέον δεν μπορούν να ξαναχρησιμοποιηθούν, απορρίψτε τις με τρόπο κατάλληλο για το περιβάλλον.

- ◆ Κατά προτίμηση αποφορτίστε την μπαταρία, θέτοντας τη συσκευή σε λειτουργία μέχρι να σταματήσει το μοτέρ.
- ◆ Χρησιμοποιώντας ένα κατσαβίδι με πλατιά άκρη, σπρώξτε το κάλυμμα της μπαταρίας (23) στην εγκοπή (24) στη πλευρά του κάλυμμα, ώστε να ξεκοιμωθεί για να μπορεί να αφαιρεθεί.
- ◆ Κρατήστε το κάλυμμα τις μπαταρίας ώστε να τραβήξετε την μπαταρία έξω από τη συσκευή.
- ◆ Συσκευάστε τη μπαταρία κατάλληλα, ώστε να εξαλειψετε το ενδεχόμενο βραχυκυκλώσεως των πόλων.
- ◆ Στείλτε τη μπαταρία στον αντιπρόσωπό σας ή σε έναν τοπικό σταθμό ανακύκλωσης.

Προειδοποίηση! Μετά την αφαίρεση της, η μπαταρία δε μπορεί να ξανατοποθετηθεί.

Τεχνικά χαρακτηριστικά

	S600	
Τάση	V _{DC}	3,6
Βάρος	kg	0,9

Δήλωση συμμόρφωσης ΕΚ

S600

Black & Decker δηλώνει ότι αυτά τα ηλεκτρικά εργαλεία σχεδιάστηκαν σύμφωνα με:

98/37/ΕΟΚ, 89/336/ΕΟΚ, 73/23/ΕΟΚ, EN 55014, EN 60335, EN 61000

LpA (ηχητική πίεση) < 70 dB(A), σταθμισμένος τετραγωνικός μέσος όρος επιτάχυνσης < 2,5 m/s²



Colin Wills

Director of Engineering
BDCI, 4/F, 2 Dai Wang Street
Tai Po Industrial Estate
Tai Po NT, Hong Kong
1-1-2005

Εγγύηση

Η Black & Decker είναι σίγουρη για την ποιότητα των προϊόντων της και παρέχει σημαντική εγγύηση. Η παρούσα γραπτή εγγύηση αποτελεί πρόσθετο δικαίωμά σας και δεν ζημιώνει τα συνταγματικά σας δικαιώματα. Η εγγύηση ισχύει εντός της επικράτειας των Κρατών Μελών της Ευρωπαϊκής Ένωσης και της Ευρωπαϊκής Ζώνης Ελευθέρων Συναλλαγών.

Σε περίπτωση που κάποιο προϊόν της Black & Decker παρουσιάσει βλάβη εξαιτίας ελαττωματικών υλικών, ποιότητας εργασίας ή έλλειψης συμφωνίας με τις προδιαγραφές εντός 24 μηνών από την ημερομηνία αγοράς, η Black & Decker εγγυάται την αντικατάσταση των ελαττωματικών τμημάτων, την επισκευή προϊόντων που έχουν υποστεί εύλογη φθορά λόγω χρήσης ή την αντικατάσταση των προϊόντων προκειμένου να εξασφαλίσει την ελάχιστη ενόχληση στους πελάτες της, εκτός αν:

- ◆ Το προϊόν έχει χρησιμοποιηθεί σε εργασιακό, επαγγελματικό περιβάλλον ή αν έχει ενοικιαστεί
- ◆ Έχει γίνει εσφαλμένη χρήση του προϊόντος ή αν έχει παραμεληθεί
- ◆ Το προϊόν έχει υποστεί βλάβη από άλλα αντικείμενα, από ουσίες ή λόγω ατυχήματος
- ◆ Έχει γίνει προσπάθεια επισκευής από μη εξουσιοδοτημένα κέντρα επισκευών ή από προσωπικό που δεν ανήκει στο προσωπικό της Black & Decker

Για να ισχύσει η εγγύηση, πρέπει να υποβάλετε απόδειξη αγοράς στον πωλητή ή το εξουσιοδοτημένο κέντρο επισκευών. Ενημερωθείτε για το πλησιέστερο κέντρο επισκευών της περιοχής σας, επικοινωνώντας με τα γραφεία της Black & Decker στη διεύθυνση που αναγράφεται στο εγχειρίδιο. Επίσης, για να πληροφορηθείτε για τα εξουσιοδοτημένα κέντρα επισκευών της Black & Decker, τις λεπτομέρειες και τους αρμόδιους των υπηρεσιών που παρέχονται μετά την πώληση, μπορείτε να ανατρέξετε στο Διαδίκτυο στη διεύθυνση:

www.2helpU.com

Παρακαλούμε να επισκεφτείτε την ιστοσελίδα μας **www.blackanddecker.com** για να καταχωρήσετε το νέο σας προϊόν Black & Decker και για να ενημερώνεστε για τα νέα προϊόντα και τις ειδικές προσφορές. Περισσότερες πληροφορίες σχετικά με τη μάρκα Black & Decker και τη σειρά προϊόντων μας θα βρείτε στη διεύθυνση **www.blackanddecker.com**

Australia	Black & Decker (Australia) Pty. Ltd. 20 Fletcher Road, Mooroolbark, Victoria, 3138	Tel. 03-8720 5100 Fax 03-9727 5940
België/Belgique	Black & Decker (Belgium) N.V. Campus Noord, Schaliënhoevedreef 20E 2800 Mechelen	Tel. 015 - 47 92 11 Fax 015 - 47 92 10
Danmark	Black & Decker Sluseholmen 2-4, 2450 København SV Internet: www.blackanddecker.dk	Tel. 70 20 15 15 Fax 36 94 49 01
Deutschland	Black & Decker GmbH Black & Decker Str. 40, D - 65510 Idstein	Tel. 06126/21 - 0 Fax 06126/21 29 80
Ελλάδα	Black & Decker (Ελλάς) Α.Ε. Στράβωνος 7 & Λεωφ. Βουλιαγμένης 159 166 74 Γλυφάδα - Αθήνα	Τηλ. 210 8981616 Φαξ 210 8983285 www.blackanddecker.gr
España	Black & Decker Ibérica, S.C.A. Parque de Negocios "Mas Blau" Edificio Muntadas, c/Bergadá, 1, Of. A6 08820 El Prat de Llobregat (Barcelona)	Tel. 934 797 400 Fax 934 797 419
France	Black & Decker (France) S.A.S. B.P. 21, 69571 Dardilly Cédex	Tel. 04 72 20 39 20 Fax 04 72 20 39 00
Helvetia	RÖFO AG Gewerbezone Seeblick 3213 Kleinbösinggen	Tel. 026-6749391 Fax 026-6749394
Italia	Black & Decker Italia SpA Viale Elvezia 2 20052 Monza (MI)	Tel. 039-23871 Fax 039-2387592/2387594 Numero verde 800-213935
Nederland	Black & Decker Benelux Joulehof 12, 4622 RG Bergen op Zoom	Tel. 0164 - 283000 Fax 0164 - 283100
New Zealand	Black & Decker 81 Hugo Johnston Drive Penrose, Auckland, New Zealand	Tel. 09 579 7600 Fax 09 579 8200
Norge	Black & Decker (Norge) A/S Postboks 4814, Nydalen, 0422 Oslo Internet: www.blackanddecker.no	Tif. 22 90 99 00 Fax 22 90 99 01
Österreich	Black & Decker Vertriebsges.m.b.H Erlaaerstraße 165, 1231 Wien	Tel. 01 66116-0 Fax 01 66116-14
Portugal	Black & Decker Rua Egas Moniz 173 S. João do Estoril 2766-651 Estoril	Tel. 214667500 Fax 214667575
Suomi	Black & Decker Oy Keilasatama 3, 02150 Espoo Black & Decker Oy, Kägelhamnen 3, 02150 Esbo	Puh.: 010 400 430 Faksi: (09) 2510 7100 Tel: 010 400 430 Fax: (09) 2510 7100
Sverige	Black & Decker AB Fabriksg. 7, 412 50 Göteborg	Tel: 031-68 60 60 Fax: 031-68 60 80
Türkiye	İntratek Mühendislik ve Dış Tic. A.Ş. Ortaklar Cad. No:19/2 80290 Mecidiyeköy / İstanbul	Tel. 0212 211 22 10 Faks 0212 266 33 03
United Kingdom	Black & Decker 210 Bath Road Slough, Berkshire SL1 3YD	Tel. 01753 511234 Fax 01753 551155 Helpline 01753 574277
Middle East & Africa	Black & Decker (Overseas) A.G. PB 5420, Dubai, United Arab Emirates	Tel. +971 4 2826464 Fax +971 4 2826466

Dealer address
Händleradresse
Cachet du revendeur
Indirizzo del rivenditore
Adres van de dealer
Dirección del detallista
Morada do revendedor
Återförsäljarens adress
Forhandlens adresse
Forhandler adresse
Jälleenmyyjän osoite
Διεύθυνση αντιπροσώπου

◆ Name ◆ Nom ◆ Nome
◆ Naam ◆ Nombre ◆ Nome ◆ Namn
◆ Navn ◆ Navn ◆ Nimi ◆ Ovojna:

◆ Address ◆ Adresse ◆ Adresse ◆ Indirizzo ◆
Adres ◆ Dirección ◆ Morada ◆ Address ◆
Adresse ◆ Adresse ◆ Osoite ◆ Διεύθυνση:

◆ Town ◆ Ort ◆ Ville ◆ Città ◆ Plaats
◆ Ciudad ◆ Localidade ◆ Ort ◆ By ◆ By
◆ Paikkakunta ◆ Πόλη:

◆ Postal code ◆ Postleitzahl ◆ Code postal ◆
Codice postale ◆ Postcode
◆ Código ◆ Código postal ◆ Postnr.
◆ Postnr. ◆ Postnr. ◆ Postnummero
◆ Κωδικός

◆ Is this tool a gift? ◆ Ist dieses Gerät ein
Geschenk? ◆ S'agit-il d'un cadeau? ◆ Si tratta
di un regalo? ◆ Kreeg u de machine als cadeau?
◆ ¿Ha recibido usted esta herramienta como
regalo? ◆ Reçebeu esta ferramenta como
presente? ◆ Är verktyget en gåva?
◆ Er verktoyet en gave? ◆ Er verktojet en gave?
◆ Onko kone lahja? ◆ Το εργαλείο είναι δώρο?

◆ Yes ◆ Ja ◆ Oui ◆ Si ◆ Ja ◆ Si ◆
◆ Sim ◆ Ja ◆ Ja ◆ Ja ◆ Kyllä ◆ Nαι
 ◆ No ◆ Nein ◆ Non ◆ No ◆ Nee
◆ No ◆ Não ◆ Nej ◆ Nei ◆ Nej
◆ Ei ◆ Oxi

◆ Is this tool your first purchase? ◆ Ist dieses
Gerät ein Erstkauf? ◆ Est-ce un 1er achat? ◆
Questo prodotto è il suo primo acquisto? ◆ Is
deze machine uw eerste aankoop? ◆ ¿Es esta
herramienta la primera de este tipo?
◆ Esta ferramenta é a primeira compra? ◆
Är detta ditt första B&D-verktyg? ◆ Er dette ditt
første B&D verktoy? ◆ Er dette ditt første B&D
verktøj? ◆ Onko tämä ensimmäinen B&D-

Date of purchase
Kaufdatum
Date d'achat
Data d'acquisto
Aankoopdatum
Fecha de compra
Data de compra
Inkõpsdatum
Innkjøpsdato
Indkøbsdato
Osttopäivä
Ημερομηνία αγοράς

koneesi? ◆ Είναι το εργαλείο αυτό η
πρώτη σας αγορά?

◆ Yes ◆ Ja ◆ Oui ◆ Si ◆ Ja ◆ Si
◆ Sim ◆ Ja ◆ Ja ◆ Ja ◆ Kyllä ◆ Nαι
 ◆ No ◆ Nein ◆ Non ◆ No ◆ Nee
◆ No ◆ Não ◆ Nej ◆ Nei ◆ Nej
◆ Ei ◆ Oxi

◆ Dealer address ◆ Händleradresse
◆ Cachet du revendeur ◆ Indirizzo del
rivenditore ◆ Adres van de dealer
◆ Dirección del detallista ◆ Morada do
revendedor ◆ Återförsäljarens adress
◆ Forhandlens adresse ◆ Forhandler adresse
◆ Jälleenmyyjän osoite
◆ Διεύθυνση αντιπροσώπου

Cat. no.:



- ◆ GUARANTEE CARD
- ◆ GARANTIEKAART
- ◆ GARANTI KORT
- ◆ GARANTIEKARTE
- ◆ TARJETA DE GARANTÍA
- ◆ GARANTI KORT
- ◆ CARTE DE GARANTIE
- ◆ CARTÃO DE GARANTIA
- ◆ TAKUUKORTTI
- ◆ TAGLIANDO DI GARANZIA
- ◆ GARANTIBEVIS
- ◆ KAPTA ΕΓΓΥΗΣΗΣ



English

Please complete this section immediately after the purchase of your tool and send it to Black & Decker in your country. If you live in Australia or New Zealand, please register by using the alternative guarantee card supplied.

Deutsch

Bitte schneiden Sie diesen Abschnitt ab, stecken ihn in einen frankierten Umschlag und schicken ihn an die Black & Decker Adresse Ihres Landes.

Français

Découpez cette partie et envoyez-la sous enveloppe timbrée à l'adresse de Black & Decker dans votre pays, ceci immédiatement après votre achat.

Italiano

Per favore ritagliate questa parte, inseritela in una busta con francobollo e spedite la subito dopo l'acquisto del prodotto all'indirizzo della Black & Decker nella vostra nazione.

Nederlands

Knip dit gedeelte uit en zend het direct na aankoop in een gefrankeerde, geaddresseerde envelop naar het adres van Black & Decker in uw land.

Español

Después de haber comprado su herramienta envíe usted, por favor, esta tarjeta a la central de Black & Decker en su país.

Português

Por favor, recorte esta parte, coloque-a num envelope selado e endereçado e envie-o logo após a compra do seu produto para o endereço da Black & Decker do seu país.

Svenska

Var vänlig klipp ur denna del och sänd den i ett frankerat kuvert till Black & Deckers adress i Ditt land.

Norsk

Vennligst klipp ut denne delen umiddelbart etter du har pakket ut ditt produkt og legg det i en adressert konvolutt til Black & Decker (Norge) AS.

Dansk

Venligst klip denne del ud og send frankeret til Black & Decker i dit land.

Suomi

Leikkaa irti tämä osa, laita se kuoreen ja postita kuori paikalliseen Black & Decker osoitteeseen.

Ελληνικά

Παράκατω κόψτε αυτό το κομμάτι και ταχυδρομήστε το μέσω της μετὰ την αγορά του προϊόντος σας στην διεύθυνση της Black & Decker στην Ελλάδα.