

---

English

---



# Hover Mower GX302


## User manual

### Congratulations!

On your purchase of your Black & Decker hover lawnmower.

This user manual provides important operating and maintenance instructions for all of the hover mowers in the Black & Decker GX302 range.

### Know your mower

 Read all of this manual carefully, observing all the recommended safety instructions before, during and after using your mower, and maintain your mower in good working order.

Familiarise yourself with the controls on your mower before attempting to operate it, but above all, be sure you know how to stop your mower in an emergency.

Retain this user manual and all other literature supplied with your mower for future reference.

### Safety instructions

#### Training

- Never allow children or persons who are unfamiliar with this type of mower to use it, nor anyone who has not read this user manual.



6m / 20ft  
360°

Do not allow children, animals or other persons near your mower when in use - always keep them at least 6m (20ft) away from the cutting area.

- Remember that the operator is responsible for accidents or hazards occurring to other people or their property.
- Your mower is designed for use on AC (mains) electrical supplies only - do not attempt to use it on any other supply.
- Plug your mower into a power point - never a lighting socket.
- Never carry your mower by the cable or jerk the cable to separate the connectors. Keep the cable away from heat sources, oils or sharp edges. Check the condition of your cable before use and do not use if damaged.



#### Preparation

- To protect your feet, always wear stout shoes or boots - freshly cut grass is damp and slippery.



- Rubber or man-made footwear will enhance your safety.
- Do not operate your mower barefoot or in open sandals.
- Use protective equipment. Wear safety spectacles or goggles whilst operating your mower. Use ear protection if the sound level seems uncomfortable when using your mower.
- Use a face mask if dusty.
- Wear long trousers to protect your legs - any debris left on the lawn or cutting path may be picked up and ejected by the blades.
- The power supply cable should be regularly inspected for signs of damage or ageing, and only used if in good condition.
- Always keep the power supply cable away from the blades - be aware of its position at all times.
- Always be sure your mower is in a safe operating condition.



- Before using your mower, disconnect it from the electrical supply and visually check that the blade, blade nut and cutter assembly are not worn or damaged. A damaged blade or worn blade nut is a major hazard and must be replaced. Also check that the blade nut is securely fastened.
- Always check that your lawn or cutting path is clear of all sticks, stones, wire and other debris. Contact with such debris may be dangerous or may damage your mower and could be thrown by the blade.

#### Operation

- When tilting the handle downwards (or to the side) to start your mower, do not tilt it more than is absolutely necessary. Always ensure that both hands are in the operating position and feet are well away from the blades before returning your mower to the ground.



Your mower will continue to run for a short time after releasing the switch lever. Always allow your mower to stop on its own.

- Release the switch lever to turn your mower off and remove the plug from the mains:

- Whenever you leave your mower unattended.
- Before checking, cleaning, adjusting or working on your mower.
- Before clearing a blockage.
- If your mower starts to vibrate abnormally (check immediately).
- After striking a foreign object, inspect your mower for damage and make repairs as necessary.
- Never run your mower whilst lying on its side or attempt to stop the blade - always allow it to stop on its own.
- Do not put hands or feet near or under rotating parts.
- Keep clear of discharge openings at all times.
- Start your mower carefully according to the instructions and with your feet well away from the blade.
- Do not use your mower in the rain and do not allow it to get wet. Avoid using your mower in wet grass, if possible.
- Use your mower only in daylight or good artificial light.
- Do not pull your mower towards you or walk backwards when in operation.
- Do not cross gravel paths or roads whilst the tines are rotating.
- Always be sure of your footing, particularly on slopes.
- Always cut across the face of slopes, never up and down. Exercise extreme caution when changing direction on slopes.
- Do not cut excessively steep slopes and always wear non-slip footwear.
- Check the grassbag (if supplied) for wear or damage and replace if necessary. Never use your mower without the grassbag in place.
- Walk, never run. Do not force your mower.
- Never pick up or carry your mower while the motor is running.
- Ensure the blade has stopped rotating and take extreme care before lifting your mower for and during transportation.
- Never operate your mower with defective guards or shields.

## Maintenance and storage

- Store your mower in a dry place when not in use, out of the reach of children.



- Do not use solvents or cleaning fluids to clean your mower - use a blunt scraper to remove grass and dirt.
- Always disconnect from the electrical supply before cleaning.
- Do not operate your mower if any parts are defective; discard all defective parts and fit new parts before use.
- Keep all nuts, bolts and screws tight to be sure your mower is in a safe working condition.
- Use only Black & Decker recommended replacement parts and accessories.

Black & Decker's policy is one of continuous improvement to our products and, as such, we reserve the right to change product specifications without prior notice.

## Double insulation



Your mower is double insulated. This means that all external metal parts are electrically isolated from the power supply. This is achieved by placing an extra insulation barrier between the electrical and mechanical parts. Double insulation means greater electrical safety and obviates the necessity of having your mower earthed.

## Electrical safety (UK only)



Your mower should always be switched off at the mains before disconnecting any plug and socket connector or extension cables.

### Fuse replacement

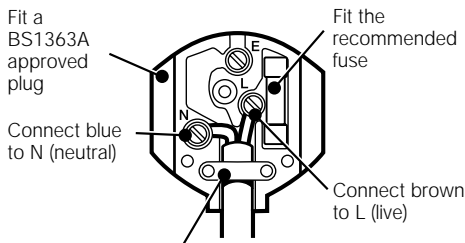
If your mower is supplied with cable fitted with a non-re-wireable plug:

- The plug is fitted with a 13 amp fuse which is the recommended fuse for your mower.
- Only use replacement fuses which are approved to BS1362.
- When changing the fuse in your plug, always ensure the fuse cover is refitted. If the fuse cover is missing or damaged do not use the plug.

**Note:** Fuses do not give personal protection against electric shock.

### Plug replacement

- Disconnect the plug from the supply.
- Cut off the plug and dispose of immediately. Insertion of a detached plug into a 13 amp socket outlet may result in electric shock.
- Only fit BS1363A approved plugs fitted with the correctly rated fuse.
- The cable wire colours, or a letter, will be marked at the connection points of most good quality plugs. Attach the wires to their respective points in the plug (see below). Brown is for "Live" (L) and blue is for "Neutral" (N).
- Before replacing the top cover of the mains plug ensure that the cable restraint is holding the outer sheath on the cable firmly and that the two leads are correctly fixed at the terminal screws.




Make sure that the outer sheath of the cable is held firmly by the clamp



240 volts AC only.  
Never use a light socket



**Warning!** Never connect live or neutral wires to the earth pin marked "E" or .

**Note:** Do not wire an extension cable directly into your mower yourself. Instead, take your mower to your nearest Black & Decker service agent.

Increased safety can be obtained by having a qualified electrician install a high sensitivity (30mA) circuit breaker in the house wiring. If you do not have such a circuit breaker installed, or you do not wish to have one installed, then we strongly recommend that the electrical power to your mower be supplied through a high sensitivity residual current device (RCD). The RCD is designed to provide a high degree of personal protection against harmful electric current should fault conditions occur.



**Warning!** The use of an RCD or other circuit breaker unit does not release the operator of your mower from the safety instructions and safe working practices given in this manual.

## Handle assembly (Fig. A - D)

### A

Remove all the parts from the carton and familiarise yourself with the individual parts of your mower.

The main parts of your mower are your mower body (1) which comprises the cutter cover (2), motor cover (3), air vent shroud (5), pivot blocks (6) and pivot pins (8).

The handle (10) comprises the lower handle (11), the upper handle (12), switch box (13) with switch lever (14) and safety lock-off switch (15), electrical supply cable (16), the cable clips (17), and the handle clamp assemblies (18) which each comprise a wing nut, washer and bolt.

**Note:** The electrical supply cable should be positioned on the right-hand side of your mower when viewed from the operating position. Ensure that this is not damaged or twisted before you begin to assemble your mower.

Assemble the lower handle to your mower body, as follows:

### B

- Place the lower handle (11) into the pivot blocks (6) on the cutter cover (2).

**Note:** It will be necessary to tilt the lower handle towards the rear of your mower to allow pivot pins (8) to fit correctly.

- Fit the pivot pins (8) through the holes in the pivot block flanges (6) and through the holes in the lugs on the lower handle (11).
- Using a mallet, or similar tool, tap the pivot pin (8) through the inner part of the pivot block (6). The hooks on the end of the pivot pin will click into position behind the inner wall, retaining it in position.
- Repeat the process on the other side.

With the lower handle in position, assemble the upper handle, as follows:

### C

- Place the upper handle (12) over the lower handle (11). Ensure the upper bend is as shown in Fig. A.
- Align the holes in both the upper and lower handles and fit a bolt (20) through each hole. Fit a washer (21) to each bolt and fit the wing nuts (22) on to the bolts. Tighten each one with hand pressure only.

**Note:** Do not use a spanner or other implement to tighten the wing nuts.

With the upper and lower handles assembled, fit the switch box to the upper handle, as follows:

**Note:** The switch box must be positioned on the right-hand side of your mower.

Ensure that the electrical supply cable is not twisted before you begin to assemble the handle.

- D**
- Locate the two pins on the switch box (13) with the holes in the upper handle (12).
  - Fit the retaining plate (23) over the stem of the handle (12) and secure in position using the two screws (24) provided.
- Note:** Do not overtighten these screws - light pressure will be sufficient to hold the switch box in position.
- Finally, secure the electrical supply cable to the lower handle using the cable clip (17) supplied.

## Handle operation (Fig. E)

**E** The handle has three positions, two storage (park) positions and one operating position. Positions 1 and 3 in Fig. E are the storage (park) positions and F is the operating range. For storage purposes, the handle assembly can be set to position 2 or 3, as follows:

- With the handle in its working range F, pivot the handle downwards until it contacts the stops on the end of the handle tube. This is the park position 2 for the handle.
- The handle can be moved to a park position 3. Push the handle upwards in the working range F, to the top position 1. Pull the handle upwards. While still pulling the handle upwards, pivot the handle down towards the ground to position 3.

## Height of cut adjustment (Fig. F & G)

**F** Your mower employs a manual method of height of cut adjustment. The method involves changing the arrangement of the spacers fitted between the impeller and the blade, and applies to mowers fitted with the steel or plastic blade cutting systems which can be purchased as an accessory.

The following procedure assumes that the steel blade is fitted. If the plastic blade cutting system is fitted then take blade to mean blade carrier. The blade carrier (25) is shown in Fig. F.

The procedure for adjusting the height of cut is as follows:

**Caution:** The plastic blade cutting system has been designed to maintain lawns at a fixed length, not for cutting long grass. We strongly recommend that you use the steel blade to cut your grass to the required length, then use the plastic blade to maintain that length.

- Ensure your mower is disconnected from the mains supply.
- Place the handle assembly into position 3 (see "Handle operation").
- Turn your mower over onto its side so that the underside of the cutter cover is exposed.
- Using a cloth placed over the blades or heavy duty gloves to protect your hands, grip the blade and, using the spanner provided, loosen and remove the nut (21) from the motor spindle. Turn the nut in anti-clockwise direction to loosen it.

**Note:** If the plastic blade cutting system is fitted then it will be necessary to grip the blade carrier (25) firmly to prevent it from turning (Fig. F).

- G**
- Remove the blade nut, white washer (26) (if supplied), spacers and blade (21-24) and re-assemble to give the cut height required, showing the 6 cut heights available.
  - Once the cut height is selected, re-assemble the blade, ensuring the cutter blade (23) is assembled with the cutting tips downwards as shown in Fig. F and ensure the white washer (26) is fitted to the blade nut.
  - Ensure the blade nut (21) is tight.

**Note:** Your mower is supplied with the blade height in position E (Fig. G).

- Always re-fit 3 spacers and never fit more or your mower will become unsafe.

## Carrying your mower

Disconnect your mower from the mains.

Remove the grassbox (if fitted), lower the handle to the flat "park" position and then, holding one handle near the pivot block and carry with the blade pointing away from you.

## How to use your mower (Fig. H & J)



**Observe all the relevant warnings when using your mower.**

We recommend the directional method of operation to obtain maximum cutting performance from your mower and to reduce the risk of the trailing extension lead from entering the cutting path.

- Place the bulk of the extension cable on the lawn close to the starting point (Fig. Ja position 1).

Your switch box incorporates a cable restraint. To fix the cable to the restraint, proceed as follows:

- Bring the socket end of the extension cable from behind and connect it to your mower plug.
- Form a loop on your extension cable close to the switchbox.
- Push the loop through the slot from the opposite side of the restraint hook, position the loop over the hook and pull the cable back through the slot. Your cable will now be restrained.
- The extension cable should now fall away from your mower and behind the operator, ready for use.

H



**Warning!** Do not attempt to operate your mower with one hand - you must guide it with both hands.

- Lift the handle up to release it from the park position.
- Tilt the unit slightly on its side to reduce the risk of lawn damage whilst starting, depress the safety lock-off button (15) on the switchbox (13) (Fig. D), and whilst still depressed pull the switch lever (14) towards you. Your mower will start, and you can now allow it to return to its proper cutting position, and commence cutting.

J

- Proceed down the cutting area as shown in Fig. Ja, working from position 1 towards position 2 and, on reaching position 2, turn to the right and proceed towards position 3. Continue to the end of the cutting area, turn to the left, and proceed towards position 4. Continue in the same manner as shown in Fig. Ja, always working away from the cable. Do not adopt the method shown in Fig. Jb, working towards the cable, as this can be dangerous.

Your mower will continue to operate whilst you are pressing the switch lever. If you release it for any reason you will not be able to press it again until you have pressed the safety lock-off switch on the switch box. This feature prevents accidental restart.

When you have finished using your mower we recommend that you clean all debris from it before putting it away. Refer to the "Care and maintenance" section.

**Note:** To obtain the best results cut your lawn or grassed area regularly and do not cut when the grass is wet.

## Changing to the plastic blade system (Fig. K)

A plastic cutter blade system can be purchased as an accessory for your mower. This system comprises a blade carrier and a number of blades.

The steel blade is designed to give a fine finish in long or tough grass.

The plastic blade system can be used for safer cutting in normal conditions. It should not be used to cut tough or long grass as the plastic blades are not designed for this purpose.

To remove the steel blade and to fit the plastic blade system, proceed as follows:



**Warning!** Disconnect your mower from the electrical supply before fitting the plastic blade system.

- Remove the steel blade as described in "Height of cut adjustment" but retain the two thicker spacers and the nut.
- If you wish to alter the height of cut whilst fitting the plastic blade system then follow the instructions given in "Height of cut adjustment".
- Using a damp cloth, clean the contact faces of the spacer rings, removing any grass or debris.
- Fit any spacers necessary to give the correct height adjustment, fit the blade carrier (25) on to the motor spindle with the ribbed face towards the impeller, fit any remaining spacers and fit the nut. Use a cloth or wear a heavy duty glove to prevent the blade carrier from turning and tighten the nut with the spanner provided.

**Note:** Instructions on how to fit the blade carrier to your mower are also given on a label on the blade carrier.

K

- Attach two plastic blades (30) to the blade carrier (25), by placing one blade on each blade pivot (31) and pull the blades outwards so that they are locked into position.
- Your mower is now ready for use.

## Overload protection

Your mower is fitted with overload protection. The reset button (33) can be found on the switch box (Fig. A).

If you work too quickly in long grass, or in heavy cutting conditions, you may overload the motor. This will be indicated by a significant drop in speed, and eventually the overload protection will operate. This is not a fault but a safety device to protect your mower.

When this occurs, release the switch and wait for 2 to 3 minutes to allow the motor to cool, then press the reset button (33) and restart by operating the switch lever.

If the cut-out operates again within 10 minutes you should increase the height of cut (see "Height of cut adjustment") and walk more slowly.

Severe overloading may result in a longer delay on restarting. In such cases, after resetting, you should allow the motor to cool.

## Blade maintenance

### Steel blades

The steel blade is designed to give a fine finish in long or tough grass. The blade will continue to cut even when it has become blunt or burred. There is no need for it to be razor sharp.

If, however, because of damage or wear the cutting performance deteriorates, then your mower may require a new blade, or at least the existing blade to be sharpened.

We recommend that the steel blade is sharpened or a new blade fitted at the beginning of each season.

### Plastic blades

Plastic blades will wear during use. This type of blade cannot be sharpened and should be discarded and new blades fitted when worn.

**Note:** Plastic blades should be replaced in pairs, not singly.

A number of spare blades are supplied with the plastic blade cutting system when purchased separately.

Replacement blades are available from Black & Decker service agents.



**Warning!** When fitting a new blade use only the Black & Decker replacement part specified for your mower - do not attempt to fit any other blade.

## Fitting a new blade



Observe all the relevant warnings before changing blades.

Details on the fitment of new steel blades are given in "Cut height adjustment". Details on the fitment of new plastic blades are given in "Changing to the plastic blade system".

## Handy hints

- Before starting your mower on grass always tilt it to one side slightly and allow it to run up to maximum speed before commencing to cut the grass. This will maximise the hover effect and will prevent the blades from digging into the grass.
- On long grass, above 10cm (4 inches), use two cuts to get a close finish. We recommend that the first cut should be taken with the blade set at maximum height of cut and the second taken with it set at medium or close. This will prove to be easier and give a better overall finish to your lawn.

## Care and maintenance

The advice given in this section covers the general care and maintenance of the main body of your mower. Advice relating to the blades is given in "Maintenance of blades".



**Warning!** Do not use a cable which shows signs of damage. Fit a new cable completely - do not make any permanent or temporary repairs.

- Always keep your mower clean and free from grass cuttings, especially the underside of the cutter cover and the air vents.
- Check all electrical cables at regular intervals, looking for signs of wear, abrasion or other damage.
- At the end of each cutting session we recommend that the build up of grass on the underside of the cutter cover is removed using a blunt scraper or the spanner supplied.
- Remove grass cuttings from the slot between the pivot block flanges.
- Clean all plastic components with a damp cloth.

**Caution:** Do not use solvents or cleaning fluids as these may damage the plastic components of your mower.

## Fault finding

If your mower does not operate correctly, use the following table to locate the problem.



**Warning!** Always disconnect your mower from the electrical supply before carrying out any inspection.

Symptoms	Possible cause	Remedy
Motor buzzes but blade does not move.	Blade jammed.	Disconnect from the electrical supply. Remove the obstruction from the blade.
No noise and the blade does not move.	Faulty electrical connection.	Disconnect from the electrical supply. Plug your mower into an alternative compatible electrical supply. Check if a new fuse is required. Re-tighten and check all electrical connections in the extension cables.
	Overload cut-out operates.	Reset overload cut-out.
Motor stalled.	The motor is overloading in long, thick grass.	Disconnect from the electrical supply. Reset the blade height to a higher position.
Poor cutting performance.	Blade damaged due to impact on large stones, tree stumps, paving stones or similar objects.	Disconnect from the electrical supply. Check the blade for damage. Replace with a new blade, if necessary.

## What to do if your mower needs repair

For after sales service please refer to the section 'Lawnmowers & Garden' within your local Yellow Pages.

## Unwanted products and the environment



Should you find one day that your mower needs replacement, or is of no further use to you, think of the protection of the environment. Black & Decker service agents will accept your old mower and will dispose of it in an environmentally safe way.

## Black & Decker lawn and garden guarantee

**This guarantee provides 36 months parts cover and 12 months labour (UK), 24 months parts cover and labour (Australia and New Zealand).** In all cases proof of purchase will be required.

If your Black & Decker mower becomes defective, within the guarantee period, due to faulty materials and workmanship, we guarantee to either replace all defective parts, or at our discretion, replace your mower free of charge, provided that:

- Your mower is returned to one of our authorised repair agents with evidence of purchase.
- Your mower has been used within the parameters of its consumer classification.
- Your mower has not been used for hire purposes.
- Repairs have not been attempted by anyone other than our authorised repair agents.
- The failure represents normal wear and tear.

This guarantee is offered as an extra benefit and is additional to your statutory rights.

## Our guarantee policy

Failures due to the following are not covered:

- Replacing worn or damaged blades, nylon line and chains, or cables damaged during storage or use. These are regarded as replacement items which wear during normal usage.
- Failures as a result of sudden impact or obvious abuse.
- Failures due to usage not in accordance with instructions and recommendations contained in this manual.

The use of other than genuine Black & Decker accessories and parts may damage or reduce the performance of your Black & Decker mower and may render the guarantee void.

## Black & Decker after sales service (UK, Australia and New Zealand only)

Black & Decker offers a nationwide network of authorised service agents. The use of other than genuine Black & Decker accessories and parts may damage or reduce the performance of your



Black & Decker product and may also endanger the user. The terms and conditions of the warranty may also be effected.

It is our aim that all Black & Decker customers should be totally satisfied with their Black & Decker product and after sales service, if help or advice is needed please contact a local Black & Decker authorised repair agent who will be happy to help. Full details of our after sales service can be obtained from any of our Black & Decker authorised repair agents.

---

## **Other Black & Decker products (UK only)**

Black & Decker has a full range of outdoor power tools that make life easy in the garden. If you would like further information on other products, please contact the Black & Decker Service Information Centre at the address towards the back of this manual, or contact your Black & Decker stockist.

Lawnmowers	String trimmers
Chainsaws	Lawnrakers
Compost shredders	Leafbusters
Blade trimmers	Cordless brooms
Cordless trimsaws	Cordless shrubbers
Cordless shears	Hedgetrimmers

### **EC Declaration of Conformity**

We declare that unit:

**GX302**

conforms to 89/392/EEC, 89/336/EEC,  
EN60335, 73/23/EEC, EN55014, EN55104

A weighted sound pressure 96dB (A)

A weighted sound power 109dB (A)

Hand/arm weighted vibration <2.5m/s<sup>2</sup>



Brian Cooke

Director of Engineering

Black & Decker Ltd, Spennymoor, County Durham  
DL16 6JG United Kingdom

---

<b>Australia</b>	Black & Decker (A'asia) Pty Ltd 286-288 Maroondah Highway, North Croydon, Victoria 3136	Tel: 03 9213 8200 Fax: 03 9726 7150
<b>New Zealand</b>	Black & Decker 483 Great South Road, Penrose, Auckland	Tel: 09 579 7600 Fax: 09 579 8200
<b>South Africa</b>	Black & Decker South Africa (Pty) Ltd Suite no 107, PostNet X65, Halfway House 1685	Tel: 011 314 4431 Fax: 011 314 4435
<b>United Kingdom</b>	Black & Decker 210 Bath Road, Slough Berkshire SL1 3YD	Tel: 01753 574277 Tlx: 848317 BAND MH Fax: 01753 551155

---



Address of the dealer where your lawnmower was purchased:

Date of your purchase:

Name: \_\_\_\_\_

House number or name and street: \_\_\_\_\_

\_\_\_\_\_

Town: \_\_\_\_\_

County or state: \_\_\_\_\_

Postcode: \_\_\_\_\_

Country: \_\_\_\_\_

Product catalogue number: **GX302/**\_\_ \_\_ \_\_

**Data protection act:** Tick this box if you prefer **not** to receive information from Black & Decker or other companies.

Yes

No

Was your lawnmower a gift?

Was your lawnmower your first purchase?

Was your lawnmower bought as a replacement?

What was the price of your lawnmower? \_\_\_\_\_

Address of the dealer where your lawnmower was purchased:

\_\_\_\_\_

\_\_\_\_\_

\_\_\_\_\_

\_\_\_\_\_

## **GUARANTEE CARD**

**South Africa:** Black & Decker South Africa (Pty) Ltd, Suite no 107, PostNet X65, Halfway House 1685

**United Kingdom & Ireland:** PO Box 821, Slough, Berkshire, SL1 3AR

---

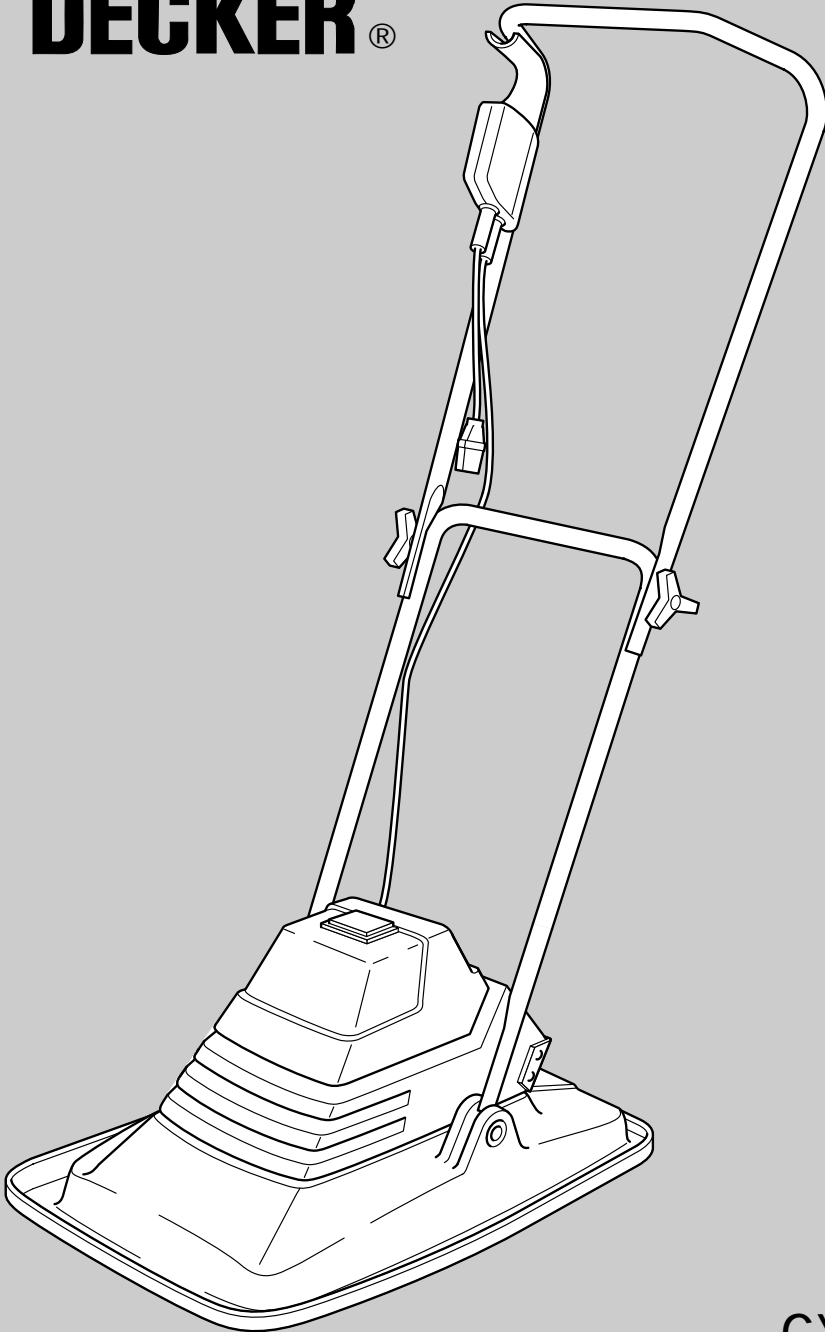
Please complete this section immediately after the purchase of your lawnmower and post it to the Black & Decker address in your country (above).

If you live in Australia or New Zealand, please register your purchase by using the alternative guarantee card supplied.

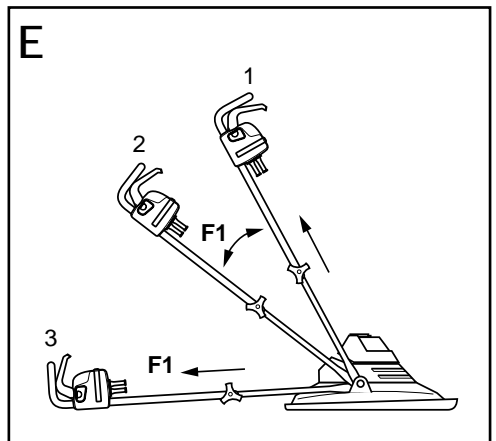
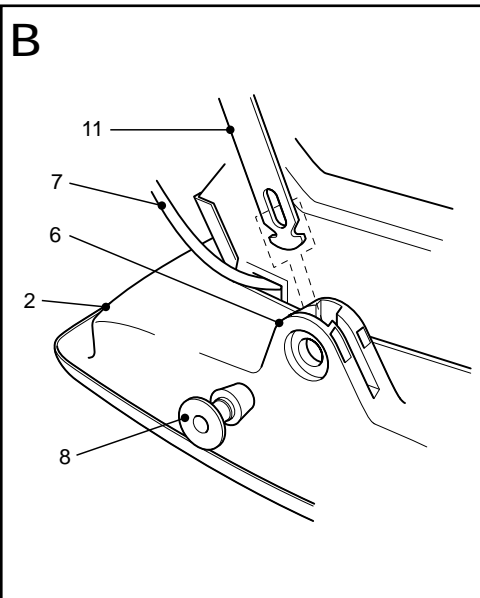
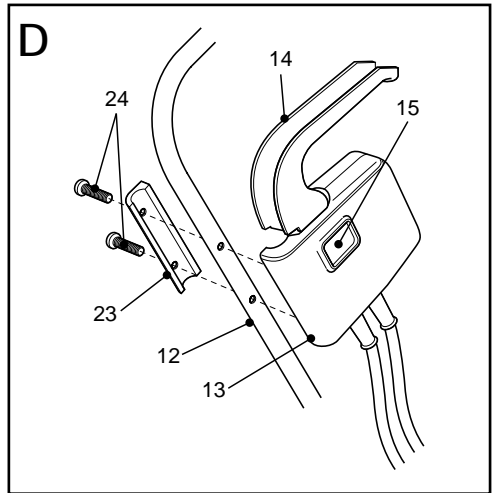
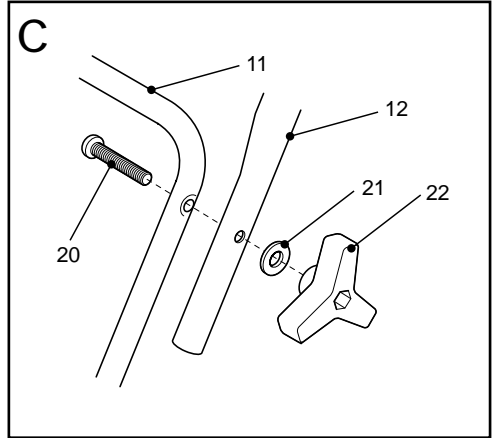
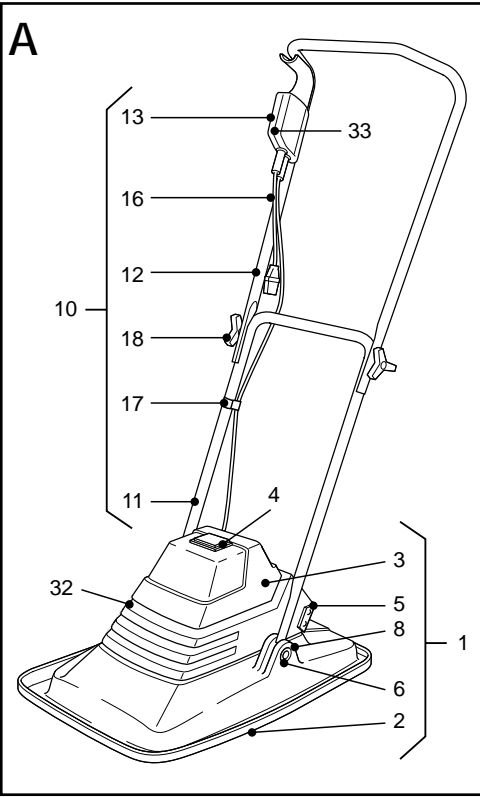


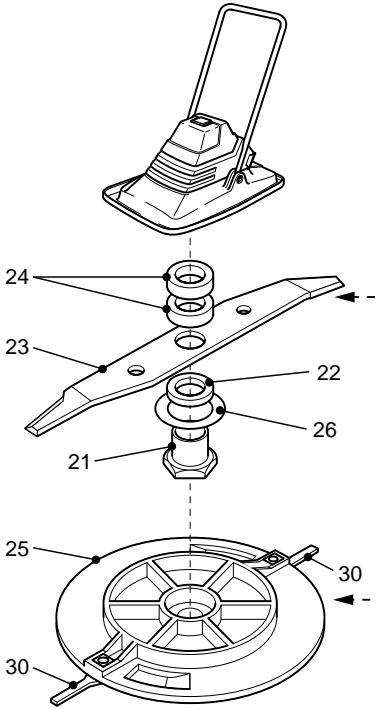
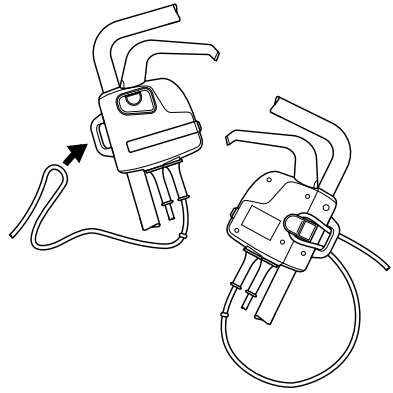
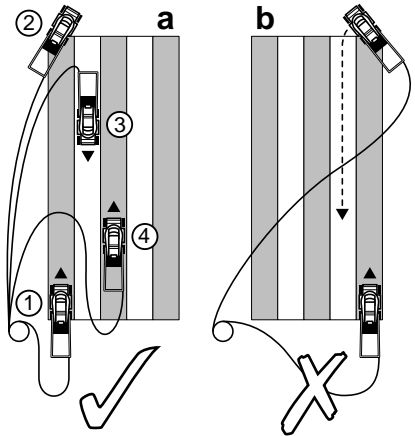
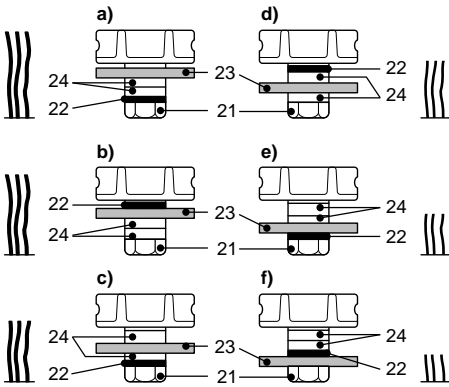


**BLACK &  
DECKER®**



**GX302**



**F****H****J****G****K**