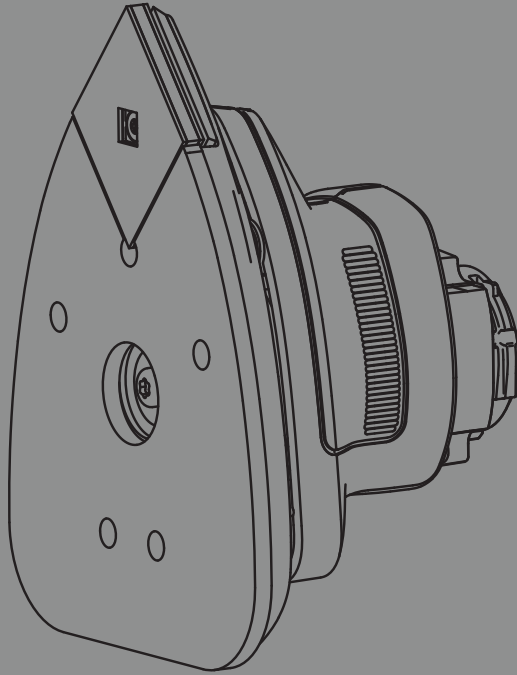


MATRIX™

QUICK CONNECT SYSTEM

**SANDER
ATTACHMENT**



www.blackanddecker.com.au

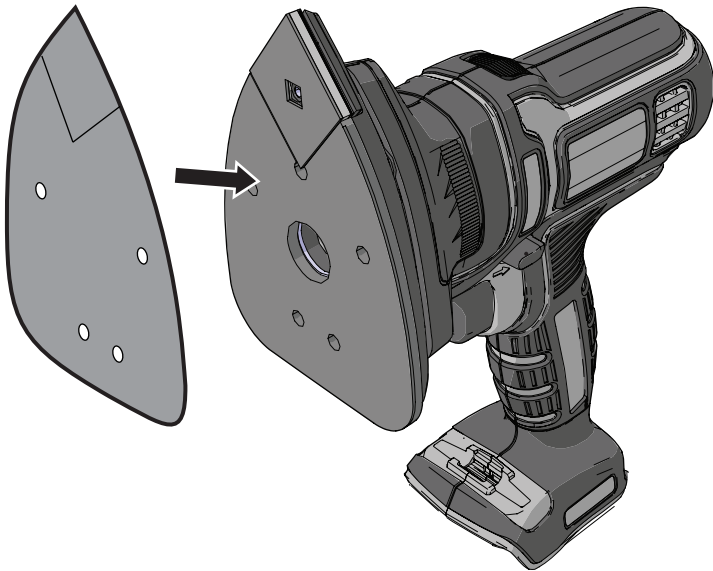
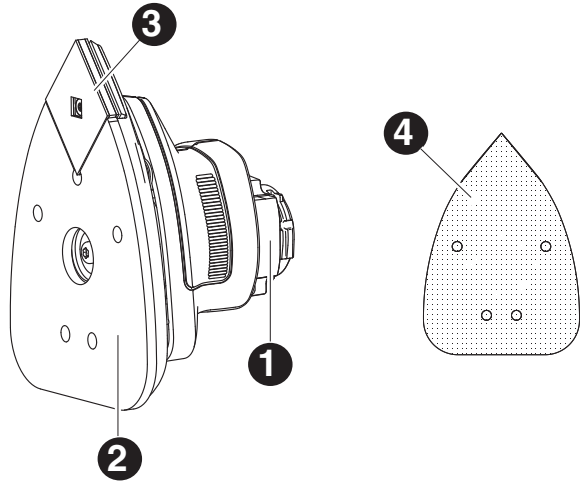
BDCMTS-XE

Australia

New Zealand

PARTS AND FEATURES

1. Sander attachment
2. Sanding base
3. Sanding base tip
4. Sanding sheet



Additional accessories are available at extra cost from your local Black & Decker dealer.

Intended use

Your Black & Decker multi-purpose tool has been designed for a wide range of DIY applications. Using the sander head, this tool is intended for sanding wood, metal, plastics and painted surfaces.

This tool is intended for consumer use only.

Safety instructions

General power tool safety warnings



WARNING! To reduce the risk of injury, the user must read the instruction manual.

General power tool safety warnings



WARNING! Read all safety warnings and all instructions. Failure to follow the warnings and instructions listed below may result in electric shock, fire and/or serious injury.



WARNING! Read all safety warnings and all instructions provide with your power unit (BDCDMT108-XE, BDCDMT180-XE) before using this accessory.

⚠ WARNING: Read all safety warnings and all instructions. Failure to follow the warnings and instructions may result in electric shock, fire and/or serious injury.

SPECIFIC SAFETY RULES

⚠ WARNING: ALWAYS use safety glasses. Everyday eye glasses are NOT safety glasses. Also use Face or dust mask if sanding operation is dusty. ALWAYS WEAR CERTIFIED SAFETY EQUIPMENT:

- ANSI Z87.1 eye protection (CAN/CPA Z94.3),
- ANSI S12.6 (S3.19) hearing protection,
- NOSH/OSHA respiratory protection.
- **Sanding of lead-based paint is not recommended.** See **Sanding Lead Based Paint** for additional information before sanding paint.
- Clean your tool out periodically.

SYMBOLS

The label on your tool may include the following symbols. The symbols and their definitions are as follows:

| | |
|----------------------------------------------------|-------------------------------------------------------------|
| V.....volts | A.....amperes |
| Hz.....hertz | W.....watts |
| minminutes | ~alternating current |
| — — —direct current | n_0no load speed |
| ⓁClass I Construction (grounded) | ⊕earthing terminal |
| ⓂClass II Construction (double insulated) | ⚠safety alert symbol |
| 👉Read instruction manual before use | .../min or rpm...revolutions or reciprocation per minute |
| 👁Use proper eye protection | 👤Use proper respiratory protection |
| | 👂Use proper hearing protection |

SAVE THESE INSTRUCTIONS

⚠ Safety Warnings and Instructions

- **ALWAYS WEAR EYE AND RESPIRATORY PROTECTION.**
- Clean your tool out periodically.

⚠ OTHER IMPORTANT SAFETY WARNINGS AND INSTRUCTIONS

LEAD BASED PAINT

Sanding of lead based paint is NOT RECOMMENDED due to the difficulty of controlling the contaminated dust. The greatest danger of lead poisoning is to children and pregnant women. Since it is difficult to identify whether or not a paint contains lead without a chemical analysis, we recommend the following precautions when sanding any paint:

PERSONAL SAFETY

- No children or pregnant women should enter the work area where the paint sanding is being done until all clean up is completed.
- A dust mask or respirator should be worn by all persons entering the work area. The filter should be replaced daily or whenever the wearer has difficulty breathing.
NOTE: Only those dust masks suitable for working with lead paint dust and fumes should be used. Ordinary painting masks do not offer this protection. See your local hardware dealer for the proper (NIOSH approved) mask.
- NO EATING, DRINKING or SMOKING should be done in the work area to prevent ingesting contaminated paint particles. Workers should wash and clean up BEFORE eating, drinking or smoking. Articles of food, drink, or smoking should not be left in the work area where dust would settle on them.

ENVIRONMENTAL SAFETY

- Paint should be removed in such a manner as to minimize the amount of dust generated.
- Areas where paint removal is occurring should be sealed with plastic sheeting of 4 mils thickness.
- Sanding should be done in a manner to reduce tracking of paint dust outside the work area.

CLEANING AND DISPOSAL

- All surfaces in the work area should be vacuumed and thoroughly cleaned daily for the duration of the sanding project. Vacuum filter bags should be changed frequently.
- Plastic drop cloths should be gathered up and disposed of along with any dust chips or other removal debris. They should be placed in sealed refuse receptacles and disposed of through regular trash pick-up procedures. During clean up, children and pregnant women should be kept away from the immediate work area.
- All toys, washable furniture and utensils used by children should be washed thoroughly before being used again.

OPERATING INSTRUCTIONS

⚠ **WARNING: Shock hazard.** Under no circumstances should this product be used near water.

⚠ **WARNING: Risk of lacerations or burns.** Do not touch work piece or accessory immediately after operating the tool. They can become very hot. Handle carefully. Always allow accessories and work piece to cool before handling.

⚠ **WARNING: To reduce the risk of injury,** turn off and remove battery from tool or disconnect plug from power source before making any adjustments or removing or installing attachments or accessories. Remove any accessory from the attachment before removing or installing the attachment.

NOTE: Refer to Power Unit instruction manual before operating this tool for all safety warnings and details on installing and removing attachments.

SANDING

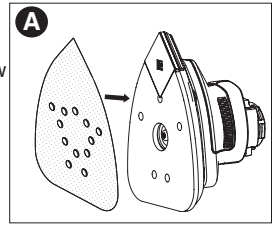
Your tool is equipped with a teardrop base which allows you to use it on large flat surfaces and tight spots or corners. The pad tips may wear unevenly, depending on use. The pads are designed to allow you to interchange and /or rotate the diamond tip.

- To switch the tool on, press the **variable speed switch**. The tool speed depends on how far you press the switch.
- To switch the tool off, release the variable speed switch.

NOTE: This attachment only operates in the forward direction, the forward/reverse slider of the Power Unit should not be able to be switched to reverse.

NOTE: Do not rest fingers on platen during use. Move it in long sweeping strokes across the surface, letting it do the work. Light pressure is all that is required for sanding. Excessive pressure will slow the tool and produce inferior results. Check your work often, product is capable of removing material rapidly. Excessive force will reduce the working efficiency and cause motor overload. Replacing the sanding sheet regularly will maintain optimum working efficiency.

NOTE: Always ensure the workpiece is firmly held or clamped to prevent movement. Any movement of the material may affect the quality of the sanding finish.



Attaching and removing sanding sheets (Figure A)

The sanding attachment uses pre-cut sanding sheets.

⚠ WARNING: To reduce the risk of injury, turn off and remove battery from tool or disconnect plug from power source before attaching or removing sanding sheets.

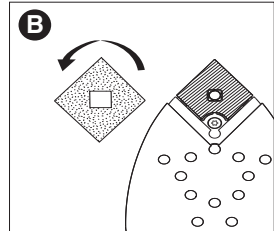
- Before attaching a new sheet, remove the two additional **diamond tips**.
- To attach a sanding sheet, line it up with the sanding base as shown.
- Press the sheet firmly and evenly onto the sanding base.
- To remove the sheet, pull it off the sanding pad.

NOTE: Never use the sanding attachment without a sanding sheet or accessory in place. Use coarse grit paper to sand rough surfaces, medium grit for smooth surfaces, and fine grit for the finishing surfaces. If necessary, first make a test run on scrap material. Allowing the sandpaper to wear away will damage the sanding pad.

TIP OF THE SANDING BASE (FIGURE B)

- When the sanding base tip is worn, it can be reversed or replaced.
- Reverse or replace the worn part.

⚠ WARNING: **Fire hazard.** When working on metal surfaces, do not use a vacuum cleaner because sparks are generated. Wear safety glasses and a dustmask. Due to the danger of fire, do not use your sander to sand magnesium surfaces. Do not use for wet sanding.



HINTS FOR OPTIMUM USE

- Do not exert too much pressure on the tool.
- Regularly check the condition of the sanding sheet. Replace when necessary.
- Always sand with the grain of the wood.
- When sanding new layers of paint before applying another layer, use extra fine grit.
- On very uneven surfaces, or when removing layers of paint, start with a coarse grit. On other surfaces, start with a medium grit. In both cases, gradually change to a fine grit for a smooth finish.
- Consult your retailer for more information on available accessories for sanding, polishing, stripping and scrubbing.

TROUBLESHOOTING

| Problem | Possible Cause | Possible Solution |
|------------------------|------------------------------|--------------------------------------------------------------------|
| • Unit will not start. | • Attachment is not secured. | • Make certain the attachment is fully pushed into the Power Unit. |

MAINTENANCE

Use only mild soap and damp cloth to clean the tool. Never let any liquid get inside the tool; never immerse any part of the tool into a liquid.

IMPORTANT: To assure product SAFETY and RELIABILITY, repairs, maintenance and adjustment (other than those listed in this manual) should be performed by authorized service centers or other qualified service personnel, always using identical replacement parts.

ACCESSORIES

⚠ WARNING: The use of any accessory not recommended for use with this tool could be hazardous. Recommended accessories for use with your tool are available from your local dealer or authorized service center. If you need assistance regarding accessories, please call: **1-800-444-224**

Technical data

when operate with 18V MATRIX unit

| Sander | | BDCMTS-XE |
|---------------|-------------------|--------------|
| No-load speed | min ⁻¹ | 0-9000 (OPM) |
| Weight | g | 330 |

Level of sound pressure according to EN 60745:

Sound pressure (L_{pA}) 76.4 dB(A), uncertainty (K) 3 dB(A)

Sound power (L_{WA}) 87.4 dB(A), uncertainty (K) 3 dB(A)

Vibration total values (triax vector sum) according to EN 60745:

Sanding (a_h) 4,1 m/s², uncertainty (K) 1.5 m/s²

Australia & New Zealand

Stanley Black & Decker

82 Taryn Drive, Epping, VIC 3076 Australia

Tel.1800 444 224 (Aust) or Tel. 0800 339 258 (NZ)