

**DEWALT®**

**DW331/DW331K**  
**DW333/DW333K**

---

**English**

**7**

---

**简体中文**

**13**

---

**繁體中文**

**19**

---

**한국어**

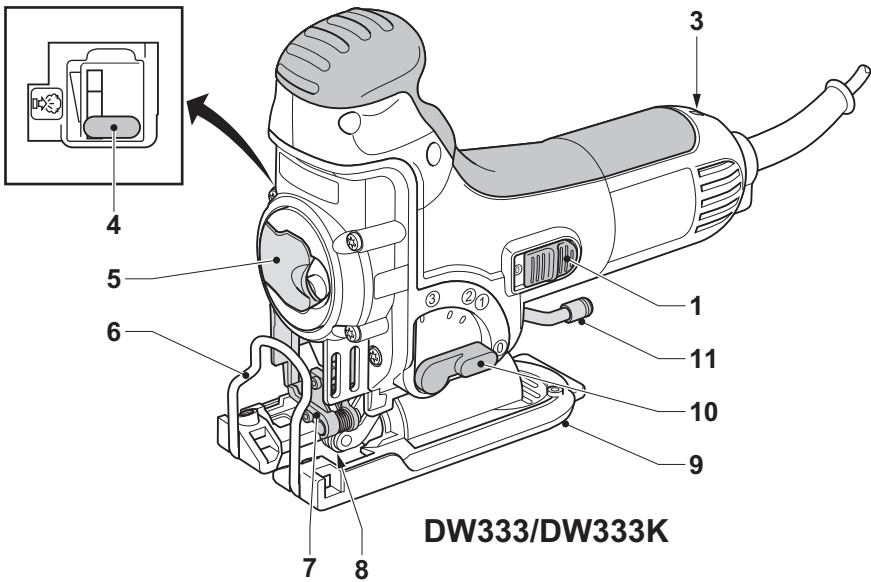
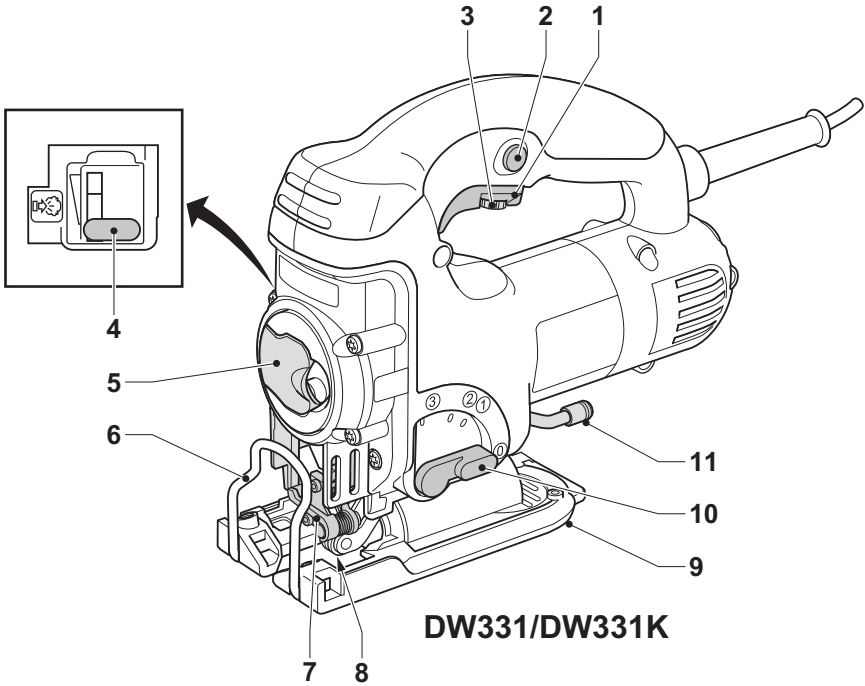
**25**

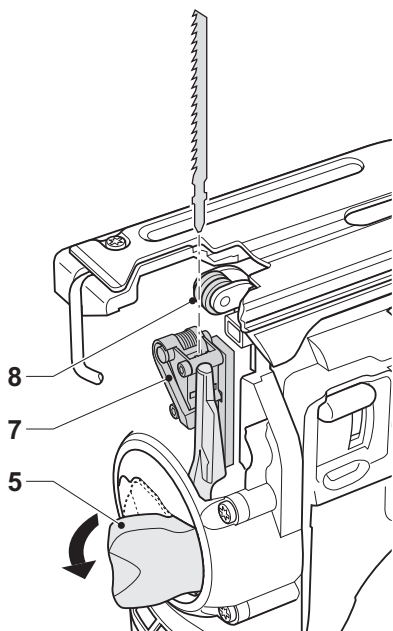
---

**ภาษาไทย**

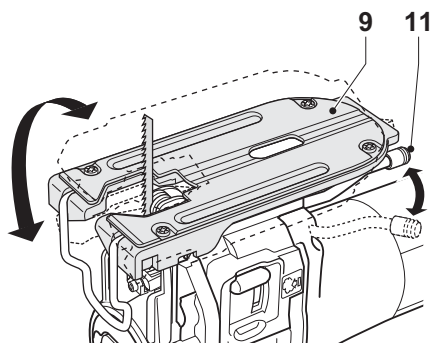
**31**

---

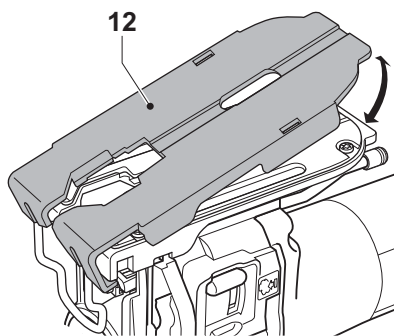




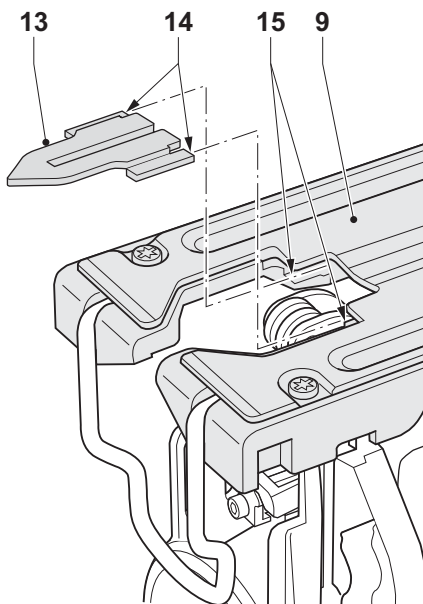
**B**



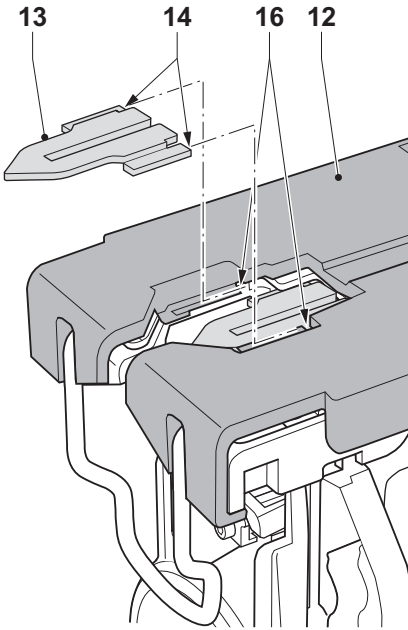
**C**



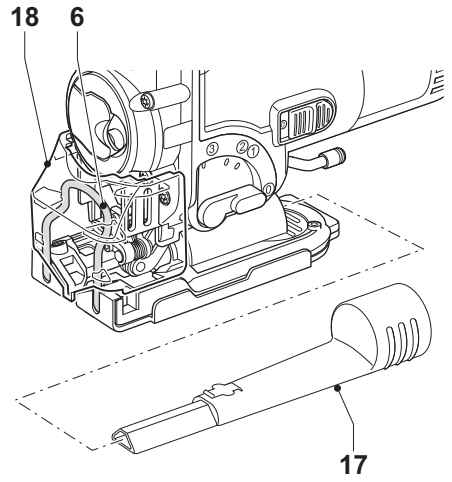
**D**



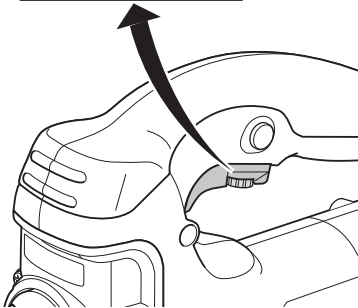
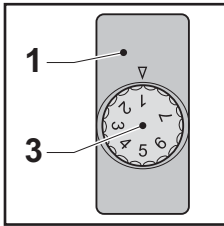
**E1**



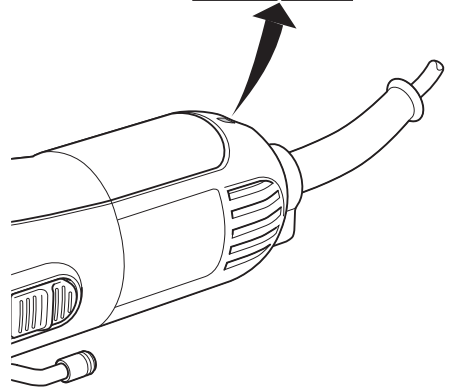
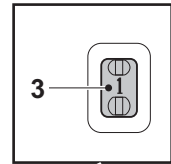
**E2**



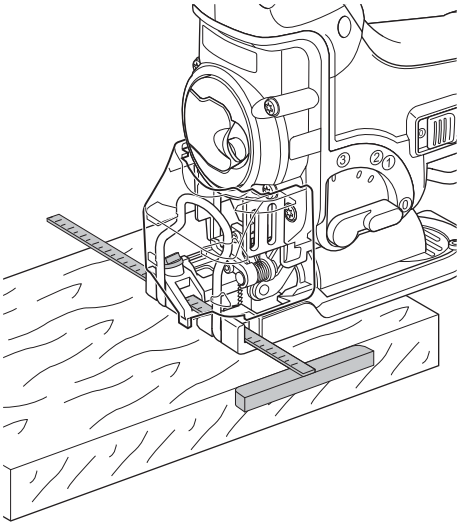
**F**



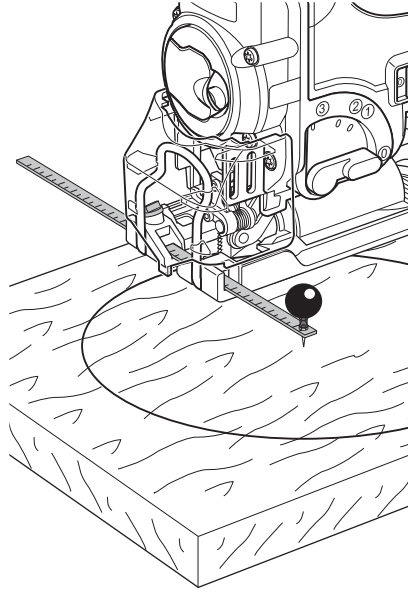
**G1**



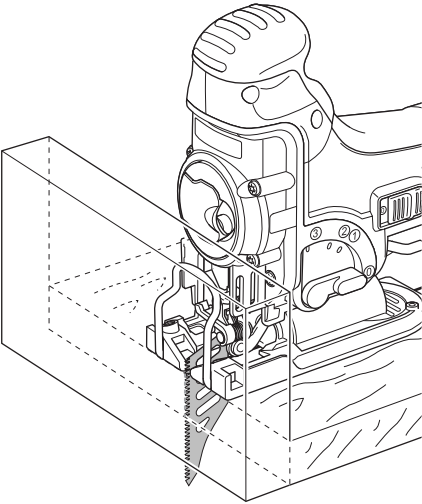
**G2**



**H**



**I**



**J**

# JIGSAW DW331/DW331K/DW333/DW333K

## Congratulations!

You have chosen a DeWALT tool. Years of experience, thorough product development and innovation make DeWALT one of the most reliable partners for professional power tool users.

## Technical data

	DW331K	DW333K
Power input	W 701	701
Power output	W 425	425
No-load speed	min <sup>-1</sup> 500-3,100	500-3,100
Stroke length	mm 26	26
Cutting depth in:		
- wood	mm 135	135
- aluminium	mm 30	30
- steel	mm 12	12
- stainless steel alloy	mm 4.5	4.5
Bevel angle adjustment (l/r)	0 - 45°	0 - 45°
Weight	kg 2.8	2.8
Cord length	m 4	4

The following symbols are used throughout this manual:



Denotes risk of personal injury, loss of life or damage to the tool in case of non-observance of the instructions in this manual.



Denotes risk of electric shock.



Fire hazard.

## General safety rules

**Warning! Read all instructions. Failure to follow all instructions listed below may result in electric shock, fire and/or serious injury. The term "power tool" in all of the warnings listed below refers to your mains operated (corded) power tool or battery operated (cordless) power tool. SAVE THESE INSTRUCTIONS.**

### 1 Work area

- Keep work area clean and well lit.**  
Cluttered and dark areas invite accidents.
- Do not operate power tools in explosive atmospheres, such as in the presence of flammable liquids, gases or dust.** Power tools create sparks which may ignite the dust or fumes.
- Keep children and bystanders away while operating a power tool.** Distractions can cause you to lose control.

### 2 Electrical safety

- Power tool plugs must match the outlet. Never modify the plug in any way. Do not use any adapter plugs with earthed (grounded) power tools.** Unmodified plugs and matching outlets will reduce risk of electric shock.
- Avoid body contact with earthed or grounded surfaces such as pipes, radiators, ranges and refrigerators.** There is an increased risk of electric shock if your body is earthed or grounded.
- Do not expose power tools to rain or wet conditions.** Water entering a power tool will increase the risk of electric shock.
- Do not abuse the cord. Never use the cord for carrying, pulling or unplugging the power tool. Keep cord away from heat, oil, sharp edges or moving parts.** Damaged or entangled cords increase the risk of electric shock.
- When operating a power tool outdoors, use an extension cord suitable for outdoor use.** Use of a cord suitable for outdoor use reduces the risk of electric shock.

### 3 Personal safety

- a Stay alert, watch what you are doing and use common sense when operating a power tool. Do not use a power tool while you are tired or under the influence of drugs, alcohol or medication.**

A moment of inattention while operating power tools may result in serious personal injury.

- b Use safety equipment. Always wear eye protection.** Safety equipment such as dust mask, non-skid safety shoes, hard hat, or hearing protection used for appropriate conditions will reduce personal injuries.
- c Avoid accidental starting. Ensure the switch is in the off position before plugging in.** Carrying power tools with your finger on the switch or plugging in power tools that have the switch on invites accidents.
- d Remove any adjusting key or wrench before turning the power tool on.** A wrench or a key left attached to a rotating part of the power tool may result in personal injury.
- e Do not overreach. Keep proper footing and balance at all times.** This enables better control of the power tool in unexpected situations.
- f Dress properly. Do not wear loose clothing or jewellery. Keep your hair, clothing and gloves away from moving parts.** Loose clothes, jewellery or long hair can be caught in moving parts.
- g If devices are provided for the connection of dust extraction and collection facilities, ensure these are connected and properly used.** Use of these devices can reduce dust related hazards.

### 4 Power tool use and care

- a Do not force the power tool. Use the correct power tool for your application.** The correct power tool will do the job better and safer at the rate for which it was designed.
- b Do not use the power tool if the switch does not turn it on and off.** Any power tool that cannot be controlled with the switch is dangerous and must be repaired.
- c Disconnect the plug from the power source before making any adjustments, changing accessories, or storing power tools.**

Such preventive safety measures reduce the risk of starting the power tool accidentally.

- d Store idle power tools out of the reach of children and do not allow persons unfamiliar with the power tool or these instructions to operate the power tool.** Power tools are dangerous in the hands of untrained users.
- e Maintain power tools. Check for misalignment or binding of moving parts, breakage of parts and any other condition that may affect the power tools operation. If damaged, have the power tool repaired before use.** Many accidents are caused by poorly maintained power tools.
- f Keep cutting tools sharp and clean.** Properly maintained cutting tools with sharp cutting edges are less likely to bind and are easier to control.
- g Use the power tool, accessories and tool bits etc., in accordance with these instructions and in the manner intended for the particular type of power tool, taking into account the working conditions and the work to be performed.** Use of the power tool for operations different from those intended could result in a hazardous situation.

### 5 Service

- a Have your power tool serviced by a qualified repair person using only identical replacement parts.** This will ensure that the safety of the power tool is maintained.

### Description (fig. A)

Your jigsaw DW331/DW331K/DW333/DW333K has been designed for professional cutting of wood, steel, aluminium, plastic and ceramic material.

- 1 On/off switch
- 2 Lock-on button
- 3 Speed control dial
- 4 Sawdust blower control
- 5 Blade latch
- 6 Finger guard
- 7 Blade holder
- 8 Guide roller
- 9 Shoe
- 10 Pendulum stroke selector
- 11 Shoe lever
- 13 Anti-splinter shoe insert (Optional)
- 17 Dust extraction adaptor (Optional)



## Using an extension cable

If an extension cable is required, use an approved extension cable suitable for the power input of this tool (see technical data). The minimum conductor size is 1.5 mm<sup>2</sup>.

When using a cable reel, always unwind the cable completely.

## Electrical safety

The electric motor has been designed for one voltage only. Always check that the power supply corresponds to the voltage on the rating plate.



Your DEWALT tool is double insulated in accordance with EN 60745; therefore no earth wire is required.

## Assembly and adjustment



Prior to assembly and adjustment always unplug the tool.

### Fitting and removing a saw blade (fig. B)

The tool-free blade exchange system ensures quick and easy changing of saw blades.

- Open the blade holder (7) by fully retracting the blade latch (5).
- Insert the saw blade into the blade holder (7) guiding the back of the blade into the groove of the guide roller (8).
- Release the blade latch (5).
- To remove the saw blade, fully retract the blade latch and pull the blade out of the holder.

### Saw blades

Blade type	Applications
Fine-toothed cutting blade	for smooth straight cuts
Coarse-toothed cutting blade	for fast straight cuts
Metal cutting blade	for ferrous and non-ferrous metals
Flush cutting blade*	for finishing off cuts up to a wall or edge.

\* Not available in all countries.



Always select your saw blade with great care.

### Setting the bevel angle (fig. C)

The adjustable shoe (9) allows cutting of LH and RH bevel angles up to 45°. The bevel scale has preset positions at 0°, 15°, 30° and 45°.

- Release the shoe lever (11).
- Slide the shoe (9) toward the saw blade.
- Tilt the shoe and set the desired bevel angle using the scale.
- Tighten the shoe lever.

### Setting the pendulum stroke (fig. A)

The adjustable pendulum stroke guarantees a perfect cutting stroke for different materials.

- Slide the selector (10) to the desired position referring to the table below. The selector can be manipulated during operation.

Pos.	Wood	Metal	Plastics
3	Fast cuts	-	PVC
2	Thick workpieces	-	Fibreglass Acrylic
1	Plywood Chipboard	Aluminium Non-ferrous	-
0	Thin workpieces Fine cuts	Sheet metal	-

### Setting the sawdust blower (fig. A)

The sawdust blower conducts an adjustable stream of air to the saw blade to keep the workpiece clear of sawdust during operation.

- Set the sawdust blower using the lever (4).
  - Low For working with metals, when using coolants and lubricants and for use with dust extraction.
  - Intermediate For working with wood and similar materials in low speed.
  - High For working with wood and similar materials in high speed.

### Mounting the plastic anti-scratch shoe cover (fig. D)

The anti-scratch shoe cover (12) reduces damage to the surface of (sensitive) workpieces.

- Click the cover onto the shoe as shown.

## **Mounting and removing the anti-splinter shoe insert (fig. E1 & E2)**

The anti-splinter shoe insert (13) which fits close to the saw blade reduces splintering of the workpiece. The insert can be mounted both into the shoe and the shoe cover.

- Hold the insert (13) in the orientation as shown.
- To mount the insert into the shoe (9):
  - Slide the edges (14) into the grooves (15).
  - Slide the insert back into position against the shoe.
- To mount the insert into the cover (12):
  - Slide the edges (14) behind the ribs (16).
  - Push the front end of the insert towards the cover. The insert snaps into place.
- To remove the anti-splinter shoe insert do the above process in reverse order.

## **Dust extraction (fig. F)**

The dust extraction adaptor (17) in combination with the dust extraction shroud (18) helps extracting the dust from the workpiece surface, when connected to a suitable dust extraction system.

- Place the dust extraction shroud (18) onto the finger guard (6) until it clicks in place.
- Fit the dust extraction adaptor (17) to the tool as shown.
- Connect the hose of a suitable dust extraction system to the adaptor.



When appropriate, connect a dust extraction system designed in compliance with the applicable directives regarding dust emission.



Do not use a dust extraction system without proper spark protection when sawing metal.

## **Instructions for use**



- Always observe the safety instructions and applicable regulations.
- Make sure your workpiece is well secured. Remove nails, screws and other fasteners that may damage the blade.
- Check that there is sufficient space for

the blade underneath the workpiece.

Do not cut materials that exceed the maximum cutting depth of the blade.

- Use sharp saw blades only. Damaged or bent saw blades must be removed immediately.
- Do not use the tool for sawing pipes or tubes.
- Never run your tool without a saw blade.
- For optimal results, move the tool smoothly and constantly over the workpiece. Do not exert lateral pressure on the saw blade. Keep the shoe flat on the workpiece and lead the cord away in line with the tool. When sawing curves, circles or other round shapes, push the tool gently forward.
- Wait until the tool has come to a standstill before removing the saw blade from the workpiece. After sawing the blade may be very hot. Do not touch.

## **Switching on and off (fig. A)**

### **DW331/DW331K**

- To run the tool, press the on/off switch (1).
- For continuous operation, press and hold down the switch (1), press the lock-on button (2) and release the switch.
- To stop the tool, release the switch.
- To stop the tool in continuous operation, press the switch briefly and release it. Always switch off the tool when work is finished and before unplugging.

### **DW333/DW333K**

- Switching on: slide the on/off switch (1) to the front.
- Switching off: slide the on/off switch to the rear. Always switch off the tool when work is finished and before unplugging.

## **Setting the electronic sawing speed (fig. G1 & G2)**

### **DW331/DW331K (fig. G1)**

The sawing speed varies with the pressure exerted on the on/off switch (1).

- To preset the sawing speed, turn the control dial (3) to the desired level. The higher the rate, the higher the sawing speed. The required setting depends on the thickness and kind of material.
- Use high speeds for sawing soft materials such as wood. Use low speeds for sawing metal.



#### **Dust extraction (fig. F)**

- When the tool is used indoor for extended periods of time, use a suitable dust extractor designed in compliance with the applicable Directives regarding dust emission.

#### **DW333/DW333K (fig. G2)**

The speed control dial (3) can be used for advance setting of the required range of speed.

- Turn the electronic speed control dial to the required level. The required setting depends on the thickness and kind of material.
- Use high speeds for sawing soft materials such as wood. Use low speeds for sawing metal.



After using the tool for an extended period on low speed settings, run it for approx. 3 minutes on maximum no-load speed.

#### **Sawing in wood**

- If necessary, draw a cutting line.
- Switch the tool on.
- Hold the tool against the workpiece and follow the line.
- For sawing parallel to the edge of your workpiece, install the parallel fence (optional) and guide your jigsaw along the workpiece as shown in figure H.

#### **Sawing in wood using a pilot hole**

- If necessary, draw a cutting line.
- Drill a hole ( $\varnothing$  min. 12 mm) and introduce the saw blade.
- Switch the tool on.
- Follow the line.
- For cutting perfectly round shapes, install the trammel bar (optional) and set it to the required radius (fig. I).

#### **Sawing up to a projecting edge (fig. J)**

- Using a conventional blade, cut up to the projected edge.
- Finish off the cut using a flush cutting blade.

#### **Sawing in metal**

- Mount an appropriate saw blade.
- Proceed as described above.



Use a cooling lubricant (cutting oil) to prevent overheating of the saw blade or the workpiece.

#### **Maintenance**

Your DeWALT power tool has been designed to operate over a long period of time with a minimum of maintenance. Continuous satisfactory operation depends upon proper tool care and regular cleaning.



#### **Lubricating the guide roller (fig. B)**

- Apply a drop of oil to the guide roller (8) at regular intervals to prevent jamming.



#### **Cleaning**

Keep the ventilation slots clear and regularly clean the housing with a soft cloth.

#### **Protecting the environment**



Separate collection. This product must not be disposed of with normal household waste.

Should you find one day that your DeWALT product needs replacement, or if it is of no further use to you, do not dispose of it with household waste. Make this product available for separate collection.



Separate collection of used products and packaging allows materials to be recycled and used again. Re-use of recycled materials helps prevent environmental pollution and reduces the demand for raw materials.

## Service Information

DEWALT offers a full network of company-owned and authorized service locations throughout Asia. All DEWALT Service Centers are staffed with trained personnel to provide customers with efficient and reliable power tool service. Whether you need technical advice, repair, or genuine factory replacement parts, contact the DEWALT location nearest to you.

## Notes

- DEWALT's policy is one of continuous improvement to our products and, as such, we reserve the right to change product specifications without prior notice.
- Standard equipment and accessories may vary by country.
- Product specifications may differ by country.
- Complete product range may not be available in all countries. Contact your local DEWALT dealers for range availability.

# DW331/DW331K/DW333/DW333K型曲线锯

## 祝贺您!

您已选择了得伟工具。凭借多年的经验和产品开发及创新方面的不断努力，得伟已经成为专业电动工具用户的最可靠伙伴之一。

## 技术参数

	DW331K	DW333K
输入功率	瓦 701	701
输出功率	瓦 425	425
空载速度	/分 500-3,100	500-3,100
往复行程	毫米 26	26
以下材质的锯深:		
- 木材	毫米 135	135
- 铝	毫米 30	30
- 钢材	毫米 12	12
- 不锈钢合金	毫米 4.5	4.5
斜切角度 (l/r)	0 - 45°	0 - 45°
重量	千克 2.8	2.8
导线长度	米 4	4

K指外配工具箱

本手册使用下列符号:



表示违反此手册中的相关规定将可能造成的人身伤害、生命危险和设备损坏。



表示有触电危险。



表示有火灾危险。

## 安全指引

当使用电动工具时，请务必遵守贵国适用的有关安全规则，以避免火灾、触电和人身伤害的危险。

请在正式使用工具前仔细阅读本手册的全部内容。

请妥善保管本手册，以备将来参考使用。

### 一般安全规则

#### 1 工作场地

- 1) 保持工作场地清洁和明亮。混乱和黑暗的场地会引发事故。
- 2) 不要在易爆环境，如有易燃液体、气体或粉尘的环境下操作电动工具。电动工具产生火花会点燃粉尘或气体。
- 3) 让儿童和旁观者离开后操纵电动工具。分心会使你放松控制。

#### 2 电器安全

- 1) 电动工具插头必须与插座相配，绝不能以任何方式改装插头。需要接地的电动工具不能使用任何转换插头。未经改装的插头和相配的插座将减少触电危险。
- 2) 避免人体接触接地表面，如管道、散热片和冰箱。如果你身体接地会增加触电危险。
- 3) 不得将电动工具暴露在雨中或潮湿环境中。水进入电动工具将增加触电危险。
- 4) 不得滥用电线，绝不能用电线搬运、拉动电动工具或拔出其插头。让电动工具远离热、油、锐边或运动部件。受损或缠绕的电线会增加触电危险。
- 5) 当在户外使用电动工具时，使用适合户外使用的外接电线。适合户外使用的电线将减少触电危险。

## 3 人身安全

- 1) 保持警觉，当操作电动工具时关注所从事的操作并保持清醒。切勿在有疲倦、药物、酒精或治疗反应下操作电动工具。在操作电动工具期间精力分散会导致严重人身伤害。
- 2) 使用安全装置。始终佩戴护目镜。安全装置，诸如适当条件下的防尘面具、防滑安全鞋、安全帽、听力防护等装置能减少人身伤害。
- 3) 避免突然启动。确保开关在插入插头时处于关闭位置。手指放在已接通电源的开关上或开关处于接通时插入插头可能会导致危险。
- 4) 在电动工具接通之前，拿掉所有调节钥匙或扳手。遗留的电动工具旋转零件上的扳手或钥匙会导致人身伤害。
- 5) 手不要伸得太长。时刻注意脚下和身体平衡。这样在意外情况下也能很好地控制电动工具。
- 6) 着装适当。不要穿宽松衣或佩带饰品。让你的头发、衣服和袖子远离运动部件。宽松衣服、佩饰或长发可能会卷入运动部件。
- 7) 如果提供了与排屑装置、集尘设备连接用的装置，则确保他们连接完好且使用得当。使用这些装置可减少碎屑引起的危险。

## 4 电动工具使用和注意事项

- 1) 不要滥用电动工具，根据用途使用适当的电动工具。使用适当的设计额定值的电动工具会使你工作更有效、更安全。
- 2) 如果开关不能接通或关闭工具电源，则不能使用该电动工具。不能用开关来控制的电动工具是危险的且必须进行修理。
- 3) 在进行任何调节、更换附件或贮存电动工具之前，必须从电源上拔掉和/或将电池盒脱离电源。这种防护性措施将减少电动工具突然启动的危险。

- 4) 将闲置电动工具贮存在儿童所及范围之外，并且不要让不熟悉电动工具或对这些说明不了解的人操作电动工具。电动工具在未经训练的用户手中是危险的。
- 5) 保养电动工具。检查运动件的安装偏差或卡住、零件破损情况和影响电动工具运行的其他条件。如有损坏，电动工具必须在使用前修理好。许多事故由维护不良的电动工具引发。
- 6) 保持切削刀具锋利和清洁。保养良好的有锋利切削刃的刀具不易卡住而且容易控制。
- 7) 按照使用说明书以及打算使用的电动工具的特殊类型要求的方式，考虑作业条件和进行的作业来使用电动工具、附件和工具的刀头等。将电动工具用作那些与要求不符的操作可能会导致危险情况。

## 5 维修

- 1) 将你的电动工具送交专业维修人员，必须使用同样的备件进行更换。这样将确保所维修的电动工具的安全性。

## 描述 (图A)

您的DW331/DW331K/DW333/DW333K型曲线锯是为专业切割木材、钢材、铝材、塑料和陶瓷材料而设计的。

- 1 on/off 开关
- 2 锁定按钮
- 3 速度控制盘
- 4 吹屑控制拨杆
- 5 锯条更换拨杆
- 6 护指器
- 7 锯条夹
- 8 导向滚轮
- 9 底板
- 10 摆动功能选择器
- 11 底板调节控制杆
- 13 压屑板 (选配)
- 17 吸尘适配器 (选配)

## 使用延长电缆

如要使用延长电缆，应当使用经认证的适用于本工具输入功率的延长电缆。应采用的电缆最小导体截面积为1.5平方毫米。

使用线缆卷筒时，应将线缆完全松开。

## 电气安全

该电机只有一种工作电压，请确认电源电压同标牌上标明的电压一致。



该工具根据EN60745标准设置双重绝缘，因此不需要地线。

## 安装及调节



安装和调节前请拔掉工具的电源线。

### 锯条的安装与拆除 (图B)

免工具锯条更换系统确保快速、方便地更换锯条。

- 完全拉开锯条更换拨杆(5)，从而打开锯条夹(7)。
- 把锯条插入锯条夹(7)，把锯条背部放入导向滚轮(8)的凹槽中。
- 松开锯条更换拨杆(5)。
- 如果取出锯条，完全拉开锯条更换拨杆(5)并且将锯条从锯条夹中拔出。

### 锯条

锯条类型	用途
细牙锯条	用于光滑直线锯切割
粗牙锯条	用于快速直线锯切割
金属锯条	用于适合于黑色和有色金属切割
齐边锯条*	用于精锯到墙边或边缘

\*依据国家情况有选择提供（以实际包装为准）



切记要仔细选择锯条。

### 设定斜切角度 (图C)

可调底板(9)可以实现左右最大45°的切割倾角。斜角规具有0°、15°、30°、45°预设位置。

- 松开底板调节控制杆(11)
- 将底板(9)滑向锯条
- 转动底板，通过使用刻度设定需要的斜切角度
- 拉紧底板调节控制杆(11)

### 设定摆动冲程 (图A)

可调节摆动冲程保证了切割不同材料时所需要的最佳切割冲程。

- 根据下表把选择器(10)滑动到所需位置。

位置	木材	金属	塑料
3	快速切割	-	PVC
2	厚工件	-	F玻璃纤维 亚克力
1	胶合板 纸板	铝材 有色金属	-
0	薄工件 精细切割	金属片	-

### 设定吹屑器 (图A)

吹屑器引导可调气流到锯条上，在操作时清除工件上的锯屑。

- 使用推杆(4)设定吹屑器
  - 低 采用冷却液和润滑剂切割金属时，用来吹开锯屑。
  - 中 低速切割木材或类似材料时使用
  - 高 高速切割木材或类似材料时使用

### 安装塑料防划伤底板盖 (图D)

防划伤底板盖(12)可以减少对工件表面(敏感材料)的划痕。

- 按图所示，把盖子扣到底板上。

## 压屑板的安装与拆卸 (图E1和E2)

安装到锯条附近的压屑板(13)可以减少工件爆边。压屑板可以安装到底板中或底板盖中。

- 如图中所示方位拿着压屑板(13)。
- 把压屑板安装到底板(9)中:
  - 把压屑板的边(14)滑进槽(15)中
  - 把压屑板滑回底板位置
- 把压屑板安装到底板盖(12)中:
  - 把压屑板的边(14)滑到凸缘(16)后边
  - 把压屑板前端朝盖子方向推。压屑板将卡到位
- 要取下压屑板，反向操作以上步骤。

## 吸尘系统 (图F)

吸尘适配器(17)和集尘罩(18)连接到适合的吸尘系统上，可以从工件表面收集锯屑。

- 将集尘罩(18)放到护指器(6)上，直至卡到位。
- 如图所示，安装吸尘适配器(17)。
- 把适合的吸尘系统的软管连接到适配器上。



适用时，连接的吸尘系统的设计应符合相关防尘规程。



在锯金属材料时，如果没有适当的火花防护措施请勿使用吸尘系统。

## 使用说明



- 坚持遵守安全指南和适用的法规。
- 确保工件放置可靠。去除钉子、螺钉或其它可能损伤锯条的紧固件。
- 确保工件下面有锯条通过的充足空间。禁止切割超过锯条最大切割厚度的材料。
- 仅使用锋利的锯条。损坏或弯曲的锯条必须立即更换。

- 禁止使用此工具切割管道或管材。
- 严禁在没有锯条的情况下启动工具。
- 为了获得最佳效果，在工件表面连续平稳地移动工具。禁止对锯条施加侧向力。保持底板平放在工件上，并且把导线引离工具方向。在锯曲线、圆形或其它圆的形状时，轻轻地推动工具前进。
- 必须等工具完全停止后，再从工件上取出锯条。  
切割后，锯条可能很烫，禁止触摸。

## 接通与断开 (图A)

### DW331/DW331K

- 要运行工具，按on/off开关(1)。
- 要连续运行，保持按下开关(1)，再按锁定按钮(2)，然后松开开关。
- 要使工具停止，松开开关即可。
- 要在连续运行状态下使工具停止，短暂按下开关再松开它。在工作完成后，拔下插头前，切记要断开工具开关。

### DW333/DW333K

- 接通：把on/off开关(1)滑动到前端。
- 断开：把on/off开关(1)滑动到后端。在工作完成后，拔下插头前，切记要断开工具开关。

## 电子调速设定 (图G1和G2)

### DW331/DW331K (图G1)

锯速随着施加在on/off开关(1)上压力的变化而变化。

- 要预先设定锯速，把控制盘(3)旋转到需要的等级上。等级越高，锯速越高。需要的锯速取决于厚度与材料。
- 使用高速来切割木材等软材料。采用低速来切割金属。

### DW333/DW333K (图G2)

可以使用速度控制盘(3)来预设需要的速度范围。



- 把电子速度控制盘旋转到需要的等级上。需要的锯速取决于厚度与材料类别。
- 使用高速来切割木材等软材料。采用低速来切割金属。



长期使用低速切割后，以最大速度空载运行约3分钟。

### 锯切木材

- 如有必要，划出锯切线。
- 接通工具。
- 把工具沿锯线对着工件。
- 要锯线与工件边缘平行，安装平行导尺(选配)，可以引导曲线锯沿着工件前进。如图H所示。

### 采用先导孔锯切木材

- 如有必要，划出锯切线。
- 钻一孔(直径至少12mm)，放入锯条。
- 接通工具。
- 沿锯线前进。
- 要锯出严格的圆形，安装划圆导尺(选配)并设定到需要的半径。(图I)。

### 锯到突出边缘 (图J)

- 采用传统锯条，锯到突出边。
- 使用齐边锯条完成锯切。



### 吸尘系统 (图F)

- 当工具在室内长时间使用时，使用适合的吸尘器，其设计应符合相关防尘法规章程。

### 锯切金属

- 安装适用的锯条。
- 按照上述程序操作。



采用冷却润滑剂(切削油)来防止锯条或工件过热。

### 维护

您的得伟动力工具设计精良，可以长期运作，而只需极少的维护。要取得连续的令人满意的工作效果，需要您做合适的保养和定期的清洁。



### 润滑导向滚轮 (图B)

- 定期在导向滚轮(8)上滴一滴油，防止卡锯。



### 清洁

请保持通风口的干净并经常用软抹布清洁工具外壳。

### 保护环境



分类回收。此类产品不得和普通家庭垃圾一起处理。

如果某一天您的得伟产品需要更换或不再使用，请不要把它和家庭垃圾一起处理。把该产品单独分类回收。



旧产品和旧包装的分类回收使材料能够得以再循环和再利用。再循环材料的重新利用有助于防止环境污染和减少原料需求。

### 维修信息

得伟在整个亚洲提供完整的自有和授权维修网络。所有得伟维修中心的员工都经过专门培训，可以为客户的电动工具提供高效、可靠的服务。无论您需要技术咨询、维修或是正宗的原装配件，联系离您最近的得伟维修站，即可满足您的需求。

### 说明

- 得伟的产品方针之一是持续改进，因此产品规格如有更改，恕不另行通知。
- 各个国家的标准设备和配件可能不同。
- 产品规格可能因国家而异。
- 并非所有国家都有全系列的产品。联系您当地的零售商了解供应的范围。

制造商：百得捷克有限公司

地址：捷克

产地：捷克

# DW331/DW331K/DW333/DW333K型曲線鋸

## 感謝您！

您已選擇了得偉工具。憑藉多年的經驗和產品開發及創新方面的不斷努力，得偉已經成為專業電動工具是使用者的最可靠夥伴之一。

## 技術參數

輸入功率	瓦	701	701
輸出功率	瓦	425	425
空載速度	/分	500-3,100	500-3,100
往復行程	毫米	26	26
以下材質的切割能力：			
木材	毫米	135	135
鋁	毫米	30	30
鋼材	毫米	12	12
不銹鋼合金	毫米	4.5	4.5
斜切角度(l/r)		0-45°	0-45°
重量	千克	2.8	2.8
導線長度	米	2.6	2.6

K 指外配工具箱

本手冊使用下列符號：



表示違反此手冊中的相關規定將可能造成的人身傷害、生命危險和機具的損壞。



表示有觸電危險。



表示有火災危險。

## 安全指引

當使用電動工具時，請務必遵守貴國適用的有關安全規則，以避免火災、觸電和人身傷害的危險。請在正式使用工具前仔細閱讀本手冊的全部內容。請妥善保管本手冊，以備將來參考使用。

### 一般安全規則

#### 1 工作場地

- 1) 保持工作場地清潔和明亮。混亂和黑暗的場地會引發事故。
- 2) 不要在易爆環境，如有易燃液體、氣體或粉塵的環境下操作電動工具。電動工具產生火花會點燃粉塵或氣體。
- 3) 讓兒童和旁觀者離開後操縱電動工具。分心會使你有危險。

#### 2 電器安全

- 1) 電動工具插頭必須與插座匹配，絕不能以任何方式改裝插頭。需要接地的電動工具不能使用任何轉換插頭。未經改裝的插頭和插座將減少觸電危險。
- 2) 避免人體接觸接地表面，如管道、金屬表面、散熱片和冰箱。如果你身體直接接觸會增加觸電危險。
- 3) 不要將電動工具暴露在雨中或潮濕環境中。遇水進入電動工具將增加觸電危險。
- 4) 不得濫用電線，絕不能用電線搬運、拉動電動工具或拔出其插頭。讓電動工具遠離熱、油、銳邊或運動部件。受損或纏繞的電線會增加觸電危險。
- 5) 當在戶外使用電動工具時，使用適合戶外使用的外接電線。適合戶外使用的電線將減少觸電危險。

### 3 人身安全

- 1) 保持警覺，當操作電動工具時關注所從事的操作並保持清醒。切勿在有疲倦、藥物、酒精或治療反應下操作電動工具。在操作電動工具期間精力分散會導致嚴重人身傷害。
- 2) 使用安全裝置。始終佩戴護目鏡。安全裝置，諸如適當條件下的防塵面具、防滑安全鞋、安全帽、聽力防護等裝置能減少人身傷害。
- 3) 避免突然啟動。確保開關在插入插頭時處於關閉位置。若手指放在已接通電源的開關上或開關處於接通時插入插頭可能會導致危險。
- 4) 在電動工具接通之前，應拿掉所有調校工具或扳手。若遺留在電動工具旋轉部件上的調校工具或扳手會導致人身傷害。
- 5) 手不要伸得太長。時刻注意重心和身體平衡。這樣在意外情況下也能很好地控制電動工具。
- 6) 著裝適當。不要穿寬鬆衣或佩帶飾品。讓你的頭髮、衣服和袖子遠離運動部件。寬鬆衣服、佩飾或長髮可能會捲入運動部件，造成危險。
- 7) 如果提供了與排屑裝置、集塵設備連接用的裝置，則確保他們連接完好且使用得當。使用這些裝置可減少碎屑引起的危險。

### 4 電動工具使用和注意事項

- 1) 不要濫用電動工具根據用途使用適當的電動工具。使用適當的設計額定值的電動工具會使你工作更有效率、更安全。
- 2) 如果開關不能接通或關閉工具電源，則不能繼續使用該電動工具。不能用開關來控制的電動工具是危險的且必須立刻送修。
- 3) 在進行任何調節、更換附件或貯存電動工具之前，必需先將電源關閉或將電池取下。這種防護性措施將減少電動工具突然啟動的危險。

- 4) 將閒置電動工具貯存在兒童無法碰觸的地方，並且不要讓不熟悉電動工具或對這些說明不瞭解的人操作電動工具。電動工具在未經訓練的用戶手中是危險的。
- 5) 保養電動工具。檢查部件的安裝偏差或卡住、零件破損情況和影響電動工具運行的其他條件。如有損壞，電動工具必須在使用前修理好。許多事故由維護不良的電動工具引發。
- 6) 保持切削刀具鋒利和清潔。保養良好的有鋒利切削刃的刀具不易卡住而且容易控制。
- 7) 按照使用說明書以及打算使用的電動工具的特殊類型要求的方式考慮作業條件和進行的作業來使用電動工具、附件和工具的刀頭等。將電動工具用作那些與要求不符的操作可能會導致危險情況。

### 5 維修

- 1) 將你的電動工具送交專業維修人員，必須使用同樣的原廠零件進行更換。這樣將確保所維修的電動工具的安全性。

#### 描述 (圖A)

您的DW331/DW331K/DW333/DW333K型曲線鋸是為專業切割木材、鋼材、鋁材、塑膠和陶瓷材料而設計的。

- 1 on/off 開關
- 2 鎖定按鈕
- 3 速度控制盤
- 4 吹屑控制撥桿
- 5 鋸條更換撥桿
- 6 護指器
- 7 鋸條夾
- 8 導向滾輪
- 9 底板
- 10 擺動功能選擇器
- 11 底板調節控制桿
- 13 壓屑板 (選配)
- 17 吸塵適配器 (選配)

## 使用延長電纜

如要使用延長電纜，應當使用經機關認證的延長線；適用於本工具輸入功率的延長電纜。應採用的電纜最小導體截面積為不得小於1.5平方毫米。

使用延長線捲筒時應將線纜完全鬆開，不然電壓很可能會產生電壓不足！導致機具損壞！

## 電氣安全

該電機只有一種工作電壓，請確認電源電壓同標牌上標明的電壓一致。



該工具根據EN60745標準設置雙重絕緣，因此不需要接地線。

## 安裝及調節



安裝和調整機具時請先拔掉工具的插頭。

## 鋸條的安裝與拆除 (圖B)

徒手無工具更換鋸條設計，快速、便捷。

- 完全拉開鋸條更換撥桿(5)，從而打開鋸條夾(7)。
- 把鋸條插入鋸條夾(7)，把鋸條背部放入導向滾輪(8)的凹槽中。
- 鬆開鋸條更換撥桿(5)。
- 如果取出鋸條，完全拉開鋸條更換撥桿(5)並且將鋸條從鋸條夾中拔出。

## 鋸條

細牙鋸條	用於光滑直線鋸切割
粗牙鋸條	用於快速直線鋸切割
金屬鋸條	用於適合於黑色和 有色金屬切割
齊邊鋸條*	用於精鋸到牆邊或邊緣

\*依據國家情況有選擇提供（以實際包裝為準）



切記要仔細選購鋸條。

## 設定斜切角度 (圖C)

可調底板(9)可以調整左右最大45°的切割斜角。斜角規具有0°、15°、30°、45°預設位置。

- 鬆開底板調節控制桿(11)
- 將底板(9)滑向鋸條
- 轉動底板通過使用刻度設定需要的斜切角度
- 拉緊底板調節控制桿(11)

## 設定擺動衝程 (圖A)

可調節擺動衝程保證了切割不同材料時所需要的最佳切割衝程。

- 根據下表把選擇器(10)滑動到所需位置。

位置	木材	金屬	塑膠
3	快速切割	-	PVC
2	厚工件	-	玻璃纖維 壓克力
1	膠合板 紙板	鋁材 有色金屬	-
0	薄工件 精細切割	金屬片	-

## 設定吹屑器 (圖A)

吹屑器引導可調氣流到鋸條上，在操作時清除工件上的鋸屑。

- 使用推桿(4)設定吹屑器
  - 低 採用冷卻液和潤滑劑切割金屬時，  
用來吹開鋸屑。
  - 中 低速切割木材或類似材料時使用
  - 高 高速切割木材或類似材料時使用

## 安裝塑膠防劃傷底板蓋 (圖D)

防劃傷底板蓋(12)可以減少對工件表面(敏感材料)的劃痕。

- 按圖所示，把蓋子扣到底板上。

### 壓屑板的安裝與拆卸 (圖E1和E2)

安裝到鋸條附近的壓屑板(13)可以減少工件爆邊。

壓屑板可以安裝到底板中或底板蓋中。

- 如圖中所示方位拿著壓屑板(13)。
- 把壓屑板安裝到底板(9)中:
  - 把壓屑板的邊(14)滑進槽(15)中
  - 把壓屑板滑回底板位置
- 把壓屑板安裝到底板蓋(12)中:
  - 把壓屑板的邊(14)滑到凸緣(16)後邊
  - 把壓屑板前端朝蓋子方向推。壓屑板將卡到位
- 要取下壓屑板，反向操作以上步驟。

### 吸塵系統 (圖F)

吸塵適配器(17)和集塵罩(18)連接到適合的吸塵系統上，可以從工件表面收集鋸屑。

將集塵罩(18)放到護指器(6)上，直至卡到位。

如圖所示，安裝吸塵適配器(17)。

把適合的吸塵系統的軟管連接到適配器上。



適用時，連接的吸塵系統的設計應符合相關防塵規程。



在鋸金屬材料時，如果沒有適當的火花防護措施請勿連接使用吸塵系統。

### 使用說明



- 堅持遵守安全指南和適用的法規。
- 確保工件放置可靠。去除釘子、螺釘或其他可能損傷鋸條的金屬。
- 確保工件下面有鋸條通過的充足空間。禁止切割超過鋸條最大切割厚度的材料。
- 僅使用鋒利的鋸條。損壞或彎曲的鋸條必須立即更換。

- 禁止使用此工具切割管道或管材。
- 嚴禁在沒有鋸條的情況下啟動工具。
- 為了獲得最佳效果，在工件表面連續平穩地移動工具。禁止對鋸條施加側向力。保持底板平放在工件上，並且把導線遠離工具方向。在鋸曲線、圓形或其他圓的形狀時，輕輕地推動工具前進。
- 必須等工具完全停止後，再從工件上取出鋸條。  
切割後，鋸條可能很燙，禁止觸摸。

### 啟動與關閉 (圖A)

DW331/DW331K

- 要運行工具，按on/off開關(1)。
- 要連續運行，保持按下開關(1)，再按鎖定按鈕(2)，然後鬆開開關。
- 要使工具停止，鬆開開關即可。
- 要在連續運行狀態下使工具停止，短暫按下開關再鬆開它。在工作完成後，拔下插頭前，切記要鬆開工具開關。

DW333/DW333K

- 啟動：把on/off開關(1)滑動到前端。
- 關閉：把on/off開關(1)滑動到後端。在工作完成後，拔下插頭前，切記要鬆開工具開關，等待機具完全停止後再行放置。

### 電子調速設定 (圖G1和G2)

DW331/DW331K (圖G1)

鋸速隨著施加在on/off開關(1)上壓力的變化而變化。

- 要預先設定鋸速，把控制盤(3)旋轉到需要的等級上。等級越高，鋸速越高。需要的鋸速取決於厚度與材料。
- 使用高速來切割木材等軟材料。採用低速來切割金屬。

**DW333/333K (圖G2)**

可以使用速度控制盤(3)來預設需要的速度範圍。

- 把電子速度控制盤旋轉到需要的等級上。需要的鋸速取決於厚度與材料類別。
- 使用高速來切割木材等軟材料。採用低速來切割金屬。



長期使用低速切割後，以最大速度空載運行約3分鐘。以利散熱，延長機具壽命。

**鋸切木材**

- 如有必要，劃出鋸切線。
- 接通工具。
- 把工具沿鋸線對著工件。
- 要鋸線與工件邊緣平行，安裝平行導尺(選配)，可以引導曲線鋸沿著工件前進。如圖H所示。

**採用先導孔鋸切木材**

- 如有必要，劃出鋸切線。
- 鑽一孔(直徑至少12mm)，放入鋸條。
- 啟動工具。
- 沿鋸線前進。
- 要鋸出嚴格的圓形，安裝劃圓導尺(選配)並設定到需要的半徑。(圖I)。

**鋸到突出邊緣 (圖J)**

- 採用傳統鋸條，鋸到突出邊。
- 使用齊邊鋸條完成鋸切。

**吸塵系統 (圖F)**

- 當工具在室內長時間使用時，使用適合的吸塵器，其設計應符合相關防塵法規章程。

**鋸切金屬**

- 安裝適用的鋸條。
- 按照上述程式操作。



採用冷卻潤滑劑(切削油)來防止鋸條或工件過熱。

**維護**

您的得偉動力工具設計精良，可以長期運作，而只需極少的維護。要取得連續的令人滿意的工作效率，合適的保養和定期的清潔工具是必要的。

**潤滑導向滾輪 (圖B)**

- 定期在導向滾輪(8)上滴一滴油，防止卡鋸。

**清潔**

請保持通風口的乾淨並經常用軟抹布清潔工具外殼。

**保護環境**

分類回收。此類產品不得和普通家庭垃圾一起處理。

如果某一天您的得偉產品需要更換或不再使用，請不要把它和家庭垃圾一起處理。把該產品單獨分類回收。



舊產品和舊包裝的分類回收使材料能夠得以再回收和再利用。再回收材料的重新利用有助於防止環境污染和減少原料需求。

## 維修資訊

得偉在整個亞洲提供完整的自有和授權維修網路。所有得偉維修中心的員工都經過專門培訓，可以為客戶的電動工具提供高效、可靠的服務。無論您需要技術諮詢、維修或是正宗的原裝配件，聯繫離您最近的得偉維修站，即可滿足您的需求。

## 說明

- 得偉的產品方針之一是持續改進因此產品規格如有更改，恕不另行通知。
- 各個國家的標準設備和配件可能不同。
- 產品規格可能因國家而異。
- 並非所有國家都有全系列的產品。聯繫您當地的百得公司瞭解供應的範圍。

製造商：百得捷克有限公司

地址：捷克

產地：捷克



# 직소DW331/DW331K/DW333/DW333K

## 축하드립니다!

귀하께서는 DEWALT 전동공구를 선택하셨습니다. 수년간의 경험과 완벽한 제품 개발, 혁신이 DEWALT를 전동공구 전문가사용자에게 가장 믿을만한 동반자의 하나로 만들었습니다.

## 기술 데이터

	DW331K	DW333K
전력공급	W 701	701
전력소비	W 425	425
무부하속도	min <sup>-1</sup> 500-3,100	500-3,100
스트로크 길이	mm 26	26
절삭깊이		
- 나무	mm 135	135
- 알루미늄	mm 30	30
- 강철	mm 12	12
- 스테인레스강 합금	mm 4.5	4.5
경사각 조정 (l/r)	0 - 45°	0 - 45°
중량	kg 2.8	2.8
코드 길이	m 4	4

본 사용 설명서에서는 다음 기호들을 사용하고 있습니다:



본 사용 설명서의 지시사항을 준수하지 않을 경우 따를 수 있는 부상위험이나 사망, 전동공구의 고장 등을 나타냅니다.



감전의 위험을 나타냅니다.



화재 위험.

## 일반 안전 수칙

경고! 모든 지시사항을 읽으십시오. 아래 모든 지시사항을 따르지 못할 경우, 감전이나 화재, 심각한 부상이 있을 수 있습니다. 아래 열거된 모든 경고에서 "전동공구"는 코드를 연결하는 것과 전기를 사용하는 것 모두에 참고하십시오. 본 사용설명서를 보관하십시오.

### 1. 작업 공간

- 작업공간을 깨끗하고 밝게 하십시오.**  
혼잡하고 어두운 공간에서는 사고가 일어날 수 있습니다.
- 가연성 액체나 기체, 먼지가 있는 폭발성 대기에서 전동공구를 사용하지 마십시오.** 전동공구는 전동공구는 먼지나 발연물질에 불을 붙일 수 있는 불꽃을 만듭니다.
- 전동공구를 사용하는 동안 구경꾼이나 어린이, 방문자들이 접근하지 못하도록 하십시오.** 주의가 산만해지면, 기구 작동 시 통제하지 못할 수 있습니다.

### 2. 전기 안전

- 전동공구의 플러그는 반드시 콘센트와 맞아야 합니다.** 어떤 방식으로든 플러그를 변형시키지 마십시오. 접지된 전동공구에 어댑터 플러그를 사용하지 마십시오. 변형하지 않은 플러그와 알맞은 콘센트로 감전의 위험이 줄어듭니다.
- 파이프나 라디에이터, 레인지, 냉장고와 같은 접지 표면에 신체 접촉을 하지 마십시오.** 인체가 접지되면, 감전 위험이 커집니다.
- 비가 내리는 곳이나 젖은 곳에 전동공구를 두지 마십시오.** 전동공구에 물이 들어가면 감전 위험이 커집니다.
- 코드를 함부로 사용하지 마십시오.** 기구를 옮길 때나 콘센트에서 플러그를 뽑을 때 코드를 절대 사용하지 마십시오. 열이나 기름, 날카로운 모서리, 움직이는 물체에 코드를 가까이 두지 마십시오. 손상된 코드로 감전 위험이 증가합니다.
- 실외에서 전동공구를 작동시킬 경우, 실외용 연장 코드를 사용하십시오.**  
실외용 코드를 사용함으로써 감전 위험이 줄어듭니다.

3. 개인 안전

- a 전동공구 사용시 주의를 기울이고 상식에 맞게 사용하십시오. 피곤할 때나 약물, 술, 의약품을 복용한 상태에서 기구를 사용하지 마십시오. 전동공구 사용시 부주의한 순간, 심각한 부상을 입을 수 있습니다.
- b 안전 장비를 사용하십시오. 항상 보안경을 착용하십시오. 방진 마스크나 미끄럼 방지용 안전 신발, 견고한 헬멧, 귀마개 등의 안전 장비 사용으로 부상의 위험이 줄어듭니다.
- c 급작스런 시동을 하지 마십시오. 플러그를 꽂기 전에 스위치가 꺼져 있음을 확인하십시오. 스위치에 손가락을 둔 채 스위치를 켜야 하는 기구를 끄거나 기구를 이동하면 사고가 일어날 수 있습니다.
- d 기구를 켜기 전에 조정 키나 렌치를 치우십시오. 기구의 순환 부분에 걸 수 있는 렌치나 조정 키로 부상을 입을 수 있습니다.
- e 지나치게 사용하지 마십시오. 언제나 알맞은 발판을 두고 균형을 유지하십시오. 예상하지 못한 상황에서 기구를 잘 제어할 수 있게 합니다.
- f 적절한 의복을 입으십시오. 늘어진 옷이나 장신구를 착용하지 마십시오. 머리카락과 옷, 장갑을 기구의 구동부위에서 멀리 두십시오. 늘어진 옷이나 장신구, 긴 머리카락은 구동부위에 걸 수 있습니다.
- g 먼지 추출이나 수집 시설에 연결하는 장비가 있을 경우, 연결되었는지, 제대로 사용되고 있는지 확인하십시오. 이러한 장비를 사용하여 먼지와 관련된 위험을 줄일 수 있습니다.

4. 전동공구 사용 및 관리

- a 전동공구에 무리한 힘을 주지 마십시오. 용도에 맞는 기구를 사용하십시오. 적절한 기구로 신속하고 안전하게 작업할 수 있습니다.
- b 전원스위치가 작동하지 않으면 기구를 사용하지 마십시오. 스위치가 불량한 기구는 위험하므로 반드시 수리해야 합니다.
- c 전동공구의 조절장치 설정을 변경하거나, 부속품을 교환하거나, 보관하기 전에 전원에서 플러그를 뽑아야 합니다. 이러한 예방 안전법을 준수하면 예상치 못한 기구의 시동 위험이 감소합니다.

- d 사용하지 않는 전동공구는 어린이나 숙련되지 않은 사람의 손이 닿지 않는 곳에 보관하십시오. 숙련되지 않은 사용자가 전동공구를 사용하게는 위험합니다.
- e 전동공구를 관리하십시오. 조정 불량이나 구동부위의 박힘, 부속의 파손이나 전동공구 작동에 영향을 줄 수 있는 기타 상태를 확인하십시오. 손상되었다면, 사용하기 전에 수리하셔야 합니다. 정비가 불량하면 많은 사고가 발생합니다.
- f 절삭 도구를 날카롭고 깨끗하게 하십시오. 날카롭게 잘 정비한 절삭도구는 작업 대상물에 잘 박히지 않고, 제어하기 쉽습니다.
- g 작업 상태나 수행할 작업을 고려하여, 본 지시사항에 따라 특정 용도로 전동공구 및 부속품, 기구 비트를 사용하십시오. 사용 목적에 맞지 않는 전동공구의 사용으로 위험에 처할 수 있습니다.

5. 서비스

- a 동일한 교체 부품을 이용하는 유자격 수리공에게 전동공구 서비스를 받으십시오. 전동공구의 안전한 관리를 보장받으실 수 있습니다.

설명 (fig. A)

직소 DW331/DW331K/DW333/DW333K은 나무나 강철, 알루미늄, 세라믹을 전문적으로 절삭하도록 고안되었습니다.

- 1 전원 스위치
- 2 잠금 버튼
- 3 속도 조절 다이얼
- 4 톱날 블로워어 조절
- 5 톱날 걸쇠
- 6 광거 가이드
- 7 톱날 받침
- 8 가이드 롤러
- 9 발판
- 10 진자 스트로크
- 11 슈레버
- 13 쪼개짐 방지 삽입판 (별도구매품)
- 17 먼지 배출 아답터 (별도구매품)

### 연장케이블 사용

연장케이블이 필요하다면 본 전동공구의 전원 인콧에 맞는 연장케이블을 사용하십시오(기술 데이터 참조). 최소 도체 크기는 1.5mm<sup>2</sup>입니다.

케이블릴 사용시, 케이블을 완전히 풀어주십시오.

### 전기 안전

전기 모터는 한 가지 전압에만 사용할 수 있습니다. 계기판에서 전원 공급장치가 전압에 맞는 지 항상 확인하십시오.



DeWALT 전동공구는 EN 60745에 따라 이중으로 절연되어 있습니다. 그러므로 피뢰선이 필요하지 않습니다.

### 조립 및 조정



조립 및 조정에 앞서 전동공구의 플러그를 연결하지 마십시오.

### 톱날 조정 및 제거하기 (fig. B)

톱날 교체 시스템으로 톱날을 빠르고 쉽게 교체하실 수 있습니다.

- 톱날 걸쇠(5)를 완전히 접어 톱날 받침(7)를 열어줍니다.
- 가이드 롤러(8)의 홈으로 날의 뒷 부분을 넣어 톱날 받침(7)에 톱날을 삽입합니다.
- 톱날 걸쇠(5)를 풀어줍니다.
- 톱날을 제거하기 위해, 톱날 걸쇠를 완전히 접고 받침에서 톱날을 빼냅니다.

톱날

날 유형	적용
가늘고 촘촘한 절삭 날	부드럽고 곧은 절삭
굵고 성긴 절삭 날	빠르고 곧은 절삭
금속 절삭 날	철금속과 비철금속
Flush 절삭 날*	벽이나 모서리 절삭 마무리

\* 모든 나라에서 살 수 있는 것은 아님



항상 주의 깊게 톱날을 선택하십시오.

### 경사각 설정하기 (fig. C)

조정 발판(9)은 45도의 경사각으로 오른손잡이와 왼손잡이가 모두 절삭할 수 있습니다. 각도는 0°C, 15°C, 30°C, 45°C, 설정되어 있습니다.

- 슈레버를 놓습니다.(11).
- 톱날을 향해 발판(9)을 서서히 움직입니다
- 발판을 기울이고 그 장치를 이용해 원하는 경사각을 설정합니다.
- 슈레버를 조여줍니다.

### 진자 스트로크 설정하기 (fig. A)

조정 진자 스트로크는 각 재료에서 완벽한 절삭 스트로크를 보장합니다.

- 아래 표를 참조하여 원하는 위치로 선택기(10)를 서서히 움직입니다. 작동 시 선택기를 조정할 수 있습니다.

위치	나무	금속	플라스틱
3	신속한 절삭	-	PVC
2	두꺼운 판	-	유리섬유 아크릴
1	합판	알루미늄	-
	칩보드	비철금속	-
0	얇은 판	판금	-
	미세 절삭		

### 톱밥 블로어 설정하기 (fig. A)

톱밥 블로어는 톱날에 조정할 수 있는 공기 바람을 불어주어 작업하는 동안 작업 대상물이 깨끗하도록 해줍니다.

- 미세 절삭 레버를 사용해서 톱밥 블로어(4)를 설정합니다.
  - 저 금속으로 작업할 때, 냉각제나 윤활제를 사용할 때, 먼지 흡착기를 사용할 때
  - 중 저속에서 나무나 이와 유사한 재료로 작업할 때
  - 고 고속에서 나무나 이와 유사한 재료로 작업할 때

### 플라스틱 굽힘 방지 발판 커버 설치하기 (fig. D)

굽힘 방지 발판 커버(12)는 민감한 작업 대상물의 표면 손상을 줄여줍니다.

- 그림처럼 발판에 커버를 고정합니다.

**쪼개짐 방지 발판 삽입물 설치 및 제거하기 (fig. E1 & E2)**

톱날에 접한 쪼개짐 방지 발판 삽입물(13)은 작업 대상물의 쪼개짐을 줄여줍니다. 삽입물은 발판과 발판 커버에 모두 설치할 수 있습니다.

- 삽입물(13)을 그림의 방향대로 잡으십시오.
- 삽입물을 발판(9)에 설치하기 위해:
  - 모서리(14)를 홈(15)으로 서서히 움직여 줍니다.
  - 발판의 반대 위치로 삽입물을 다시 움직여 줍니다.
- 삽입물을 커버(12)에 설치하기 위해:
  - 모서리(14)를 살(16) 뒤로 서서히 움직여 줍니다.
  - 커버를 향해 삽입물의 앞쪽 끝을 눌러줍니다. 삽입물은 딸깍 소리가 나게 됩니다.
- 쪼개짐 방지 발판 삽입물을 제거하려면 위 과정을 거꾸로 하십시오.

**먼지 흡착 (fig. F)**

알맞은 먼지 흡착기에 연결했을 때, 먼지 흡착 측면(18)과 결합된 먼지 흡착 어댑터(17)로 작업 대상물 표면의 먼지를 흡착합니다.

- 먼지 흡착 측면(18)을 핑거 가드(6)에 딸깍 소리가 날 때까지 둡니다.
- 그림처럼 전동공구에 먼지 흡착 어댑터(17)를 맞춥니다.
- 어댑터에 알맞은 먼지 흡착기 관을 연결합니다.



적절한 시기에, 먼지 방출 지시에 맞는 먼지 흡착기를 연결합니다.



금속을 절삭할 때, 스파크 보호대 없이 먼지 흡착기를 사용하지 마십시오.

**사용 시 주의사항**



- 항상 안전 지침과 관련 규정을 살펴보십시오.
- 작업 대상물이 괜찮은지 확인하십시오. 못과 나사, 톱날에 손상을 줄 수 있는 기타 찌뚱을 제거하십시오.
- 작업 대상물 밑면에 톱날이 들어갈 충분한 공간이 있는지 확인하십시오. 톱날의 최대 절삭 깊이 이상인 경우 재료를 절삭하지 마십시오.

- 날카로운 톱날만 사용하십시오. 손상되거나 구부러진 톱날은 즉시 제거하여야 합니다.
- 파이프나 관을 절삭하는데 사용하지 마십시오.
- 톱날 없이 전동공구를 절대 작동시키지 마십시오.
- 최적의 결과를 위해, 작업 대상물 위에서 전동공구를 부드럽고 일정하게 움직이십시오. 톱날의 측면으로 힘을 주지 마십시오. 작업 대상물에서 발판을 평평하게 하고, 전동공구에 일렬로 코드를 끌어넣으십시오. 곡선이나 원, 기타 원형을 절삭할 경우, 전동공구를 앞으로 부드럽게 눌러줍니다.
- 톱날을 작업 대상물에서 빼내기 전에 전동공구가 멈출 때까지 기다리십시오. 절삭 후, 톱날은 아주 뜨거울 것입니다. 만지지 마십시오.

**스위치 On/Off (fig. A)**

DW331/DW331K

- 전동공구를 작동하기 위해서는 전원 스위치(1)를 눌러야 합니다.
- 지속적인 작동을 하려면 스위치를 누르고 아래로 잠거나, 잠금 버튼(2)을 누르고 스위치를 놓아줍니다.
- 전동공구를 멈추려면, 스위치를 놓습니다.
- 전동공구의 지속적인 작동을 멈추려면, 짧게 스위치를 누릅니다. 작업이 마쳤을 때나 플러그를 뽑기 전에는 항상 스위치를 끄십시오.

DW333/DW333K

- 스위치 ON: 앞쪽으로 전원 스위치(1)를 서서히 움직여 줍니다.
- 스위치 OFF: 뒤쪽으로 전원 스위치를 서서히 움직여 줍니다. 작업이 마쳤을 때나 플러그를 뽑기 전에는 항상 스위치를 끄십시오.

**전기 절삭 속도 설정하기 (fig. G1 & G2)**

DW331/DW331K (fig. G1)

전원 스위치(1)를 누르는 힘에 따라 절삭 속도가 다양합니다.

- 절삭 속도를 설정하려면, 조절 다이얼(3)을 원하는 만큼 돌려줍니다. 그 비가 높을수록 절삭 속도가 높아집니다. 작업 대상물의 두께와 종류에 따라 설정이 달라집니다.
- 나무와 같은 부드러운 재료를 절삭할 경우 고속으로 하십시오. 금속을 절삭할 경우 저속으로 하십시오.



**먼지 흡착기 (fig. F)**

- 전동공구를 실내에서 오랫동안 사용할 경우, 먼지 방출이 되는 알맞은 먼지 흡착기를 사용하십시오.

DW333/DW333K (fig. G2)

원하는 속도 범위를 더 조정하는데 속도 조절 다이얼(3)을 사용하실 수 있습니다.

- 원하는 수준까지 전기 속도 조절 다이얼을 돌려 주십시오. 재료의 두께와 종류에 따라 설정이 달라집니다.
- 나무와 같은 부드러운 재료를 절삭할 경우 고속으로 하십시오. 금속을 절삭할 경우 저속으로 하십시오.

**금속 절삭하기**

- 알맞은 톱날을 설치합니다.
- 상기 설명한 바대로 과정을 수행합니다.



냉각 윤활제(절삭유)를 사용하여 톱날이나 작업 대상물의 과열을 방지합니다.

**관리**

최소한의 관리로 DeWALT 전동공구를 오랫동안 사용할 수 있도록 고안했습니다. 지속적인 안전 작업을 위해서는 적절한 도구 관리와 규칙적인 세척이 필요합니다.



저속 설정에서 오래 전동공구를 사용한 후에는 최대 무부하 속도로 약 3분간 작동시켜 줍니다.

**나무 절삭하기**

- 필요한 경우 절삭선을 그립니다.
- 전동공구의 스위치를 켭니다.
- 작업 대상물에서 전동공구를 잡고 선을 따라갑니다.
- 작업 대상물의 모서리에 평행하게 절삭하려면, 평행판을 설치하고, 그림 H처럼 작업 대상물을 따라 직소를 사용합니다.



**가이드롤러 운할하기 (fig. B)**

- 정기적으로 가이드롤러(8)에 기름 한 방울을 칠해 줍니다.



**깊잡이 구멍을 이용하여 나무 절삭하기**

- 필요한 경우 절삭선을 그립니다.
- 구멍을 뚫고(Ø min. 12 mm) 톱날을 넣습니다.
- 스위치를 켭니다.
- 선을 따라갑니다.
- 완벽하게 원형으로 절삭하려면, 트래멀 바를 설치하고 원하는 반경으로 맞춰줍니다(Fig I).

**세척**

환기구를 깨끗이 하고, 정기적으로 부드러운 천으로 보관상자를 닦아줍니다.

**환경 보호**



분리수거 하십시오. 본 제품은 일반 쓰레기와 함께 버리지 마십시오.

**튀어나온 모서리 잘라내기 (fig. J)**

- 일반 톱날을 이용해 튀어나온 모서리를 잘라냅니다.
- 평평한 절삭 날로 마무리합니다.

DeWALT 제품을 교체해야 하거나, 더 이상 사용하지 않으실 경우, 일반 쓰레기와 함께 버리지 마십시오. 분리 수거가 가능하게 하십시오.



사용한 제품을 분리수거 및 포장하면 재료를 재활용할 수 있게 됩니다. 재활용품의 재사용으로 환경오염을 예방하고, 원료 수요를 낮춰주는데 도움이 됩니다.

## 서비스 정보

DeWALT는 아시아에 자사 소유의 완전한 연락망과 서비스 지사를 제공합니다. 모든 DeWALT 서비스 센터는 소비자에게 능률적이고 신뢰감을 주는 서비스를 제공하도록 교육받은 직원들이 있습니다. 기술적인 조언이나 수리, 진품 공장 교체 부속품이 필요하면, 가까이에 있는 DeWALT 지사에 연락하십시오.

## 주:

- DeWALT의 정책은 자사 제품의 지속적인 향상의 일환으로, 사전 통고 없이 제품 설명서를 수정할 권리가 있습니다.
- 표준 장비와 부속품은 나라마다 다를 수 있습니다.
- 제품 설명서 또한 나라마다 다를 수 있습니다.
- 모든 나라에서 모든 제품이 가능하지 않을 수 있습니다. DeWALT 지사에 가능한 제품 범위에 관해 문의하십시오.

# เลื่อยฉลุไฟฟ้า DW331/DW331K/DW333/DW333K

## ยินดีด้วยครับ!

ท่านได้เลือกใช้เครื่องมือจาก DEWALT ด้วยประสบการณ์หลายปีที่ผ่านมาในการพัฒนาผลิตภัณฑ์และนวัตกรรมขั้นเลิศ ทำให้ DEWALT เป็นหนึ่งในเครื่องมือไฟฟ้าที่น่าเชื่อถือสำหรับผู้ใช้งานระดับมืออาชีพมากที่สุด

## ข้อมูลทางด้านเทคนิค

		DW331K	DW333K
กำลังไฟเข้า	W	701	701
กำลังด้านออก	W	425	425
ความเร็วขณะไม่มีโหลด	min <sup>-1</sup>	500-3,100	500-3,100
ความยาวช่วงเลื่อย	ม.ม.	26	26
ความลึกในการเลื่อย:			
- ไม้	ม.ม.	135	135
- อะลูมิเนียม	ม.ม.	30	30
- เหล็ก	ม.ม.	12	12
- เหล็กกล้าผสมโรสซึม	ม.ม.	4.5	4.5
ที่ปรับมุมเลื่อย (ซ้าย/ขวา)		0 - 45°	0 - 45°
น้ำหนัก	ก.ก.	2.8	2.8
ความยาวของสายไฟ	เมตร	4	4

สัญลักษณ์ดังต่อไปนี้จะชี้ตลอดคู่มือฉบับนี้:



แสดงความเสี่ยงที่อาจเกิดการบาดเจ็บต่อบุคคล สูญเสียชีวิต หรือสร้างความเสียหายต่อเครื่องมือได้ หากไม่ได้ปฏิบัติตามคำแนะนำในคู่มือเล่มนี้



แสดงความเสี่ยงที่อาจเกิดไฟฟ้าดูดได้



อันตรายจากอัคคีภัย

## ข้อปฏิบัติด้านความปลอดภัยทั่วไป

คำเตือน! อ่านคำแนะนำการใช้งานทุกข้อ หากไม่ปฏิบัติตามขั้นตอนการใช้งานด้านล่างนี้ อาจก่อให้เกิดไฟฟ้าช็อต ไฟไหม้ หรือบาดเจ็บอย่างรุนแรงได้ คำว่า "เครื่องมือไฟฟ้า" ในคำเตือนที่แสดงไว้ด้านล่างนี้ทั้งหมดหมายถึงเครื่องมือที่ใช้ไฟฟ้าจากสายไฟหรือเครื่องมือที่ใช้แบตเตอรี่ (ไร้สาย) กรุณาเก็บคู่มือนี้เอาไว้ให้ดี!

### 1 พื้นที่ทำงาน

- รักษาพื้นที่ทำงานให้สะอาดและนิแสงสว่างเพียงพอ** พื้นที่ที่ระเกะระกะหรือมืดอาจก่อให้เกิดอุบัติเหตุได้
- ห้ามใช้เครื่องมือไฟฟ้าในพื้นที่ที่มีโอกาสระเบิด** เช่น มีช่องเหลวที่ติดไฟ แก๊ส หรือผงวัสดุที่ติดไฟได้ เครื่องมือไฟฟ้าจะก่อให้เกิดประกายไฟซึ่งอาจทำให้เกิดฝุ่นละอองหรือสารเคมีเหล่านี้ติดไฟได้
- ระมัดระวังเด็ก และผู้ที่อยู่ข้างเคียง** ขณะที่กำลังใช้งานเครื่องมือไฟฟ้าอยู่ การสูญเสียสมาธิอาจทำให้สูญเสียการควบคุมเครื่องมือได้

### 2 ความปลอดภัยทางไฟฟ้า

- ปลั๊กของเครื่องมือไฟฟ้าจะต้องเป็นแบบที่ตรงกับเต้าเสียบ** ห้ามทำการดัดแปลงปลั๊กของเครื่องมือไม่ว่าจะด้วยวิธีใดก็ตาม ห้ามใช้ปลั๊กอะแดปเตอร์กับเครื่องมือไฟฟ้าที่มีสายดิน การใช้ปลั๊กที่ไม่มีการดัดแปลง และการใช้เต้าเสียบที่มีประเภทตรงกันจะขจัดลดความเสี่ยงในการเกิดไฟฟ้าช็อตได้
- หลีกเลี่ยงไม่ให้ร่างกายสัมผัสกับพื้นผิวที่มีการต่อลงดิน (เช่น ห่อ เครื่องทำความร้อน เต้าและตู้เย็น)** หากร่างกายของท่านสัมผัสโดยตรงกับพื้นดินจะมีความเสี่ยงต่อไฟฟ้าช็อตเพิ่มมากขึ้น
- อย่าให้เครื่องมือที่ใช้ไฟฟ้าโดนฝนหรือความชื้น** หากมีน้ำเข้าไปในเครื่องมือไฟฟ้าจะเพิ่มความเสี่ยงต่อการเกิดไฟฟ้าช็อตได้
- ห้ามใช้งานสายไฟของเครื่องมืออย่างผิดวิธี** ห้ามใช้สายไฟของเครื่องมือ ในการหิ้ว ดึง หรือถอดปลั๊กเครื่องมือไฟฟ้า เก็บสายไฟให้ห่างจากความร้อน น้ำมัน วัตถุฉุน หรือชิ้นส่วนที่เคลื่อนที่ได้ สายไฟที่เสียหาย หรือพันกัน จะมีความเสี่ยงต่อไฟฟ้าช็อตเพิ่มมากขึ้น
- เมื่อต้องใช้งานเครื่องมือไฟฟ้ากลางแจ้ง ให้ใช้สายพ่วงที่เหมาะสมกับการใช้งานกลางแจ้ง** การใช้สายไฟพ่วงที่เหมาะสมกับการใช้งานกลางแจ้ง จะช่วยลดอันตรายจากไฟฟ้าดูดลงได้

### 3 ความปลอดภัยส่วนบุคคล

- a มีความตื่นตัวและมีสติในสิ่งที่ทำรวมทั้งใช้  
 วิจารณญาณขณะที่กำลังใช้งานเครื่องมือไฟฟ้า ห้ามใช้เครื่องมือขณะที่ร่างกายอ่อนล้าหรือ  
 มีอาการเมื่อยมาจากสารเสพติด ของมันเมา หรือ  
 ยาต่าง ๆ

ความพลั้งเผลอไม่ระมัดระวังตัวแต่เพียงชั่วครู่ขณะที่กำลังใช้งานเครื่องมือไฟฟ้า อาจก่อให้เกิดการ  
 บาดเจ็บอย่างรุนแรงได้

- b ใช้อุปกรณ์เสริมความปลอดภัย สวมอุปกรณ์  
 ป้องกันดวงตาเสมอ อุปกรณ์เสริมความปลอดภัย  
 เช่น หน้ากากป้องกันฝุ่น รองเท้ากันภัยกันลื่น หมวก  
 กันภัย หรืออุปกรณ์ป้องกันเสียง ที่ใช้อย่างเหมาะสม  
 จะช่วยลดการบาดเจ็บได้

- c หลีกเลี่ยงการเปิดเครื่องมือโดยไม่ได้ตั้งใจ  
 ก่อนเสียบปลั๊กเครื่องมือ ตรวจสอบให้แน่ใจว่า  
 สวิตช์อยู่ในตำแหน่งปิดอยู่ การถือเครื่องมือโดยที่  
 นิ้วมืออยู่ในบริเวณสวิตช์เปิดปิด หรือการเสียบปลั๊ก  
 เครื่องมือขณะที่สวิตช์เปิดอยู่ อาจก่อให้เกิดอุบัติเหตุได้

- d ถอดปลั๊กและสำหรับปรับตั้งต่างๆ ออกจากเครื่อง  
 ก่อนที่จะเปิดเครื่องมือให้ทำงาน ประแจที่ยังค้าง  
 อยู่บริเวณชิ้นส่วนที่เคลื่อนที่ได้ของเครื่องมือ อาจ  
 ก่อให้เกิดการบาดเจ็บได้

- e อย่าใช้งานโดยการเอียง ขณะใช้เครื่องมือ  
 การยืนที่มั่นคงและมีความสมดุลตลอดเวลา  
 การยืนที่มั่นคงและสมดุลจะช่วยให้สามารถควบคุม  
 เครื่องมือได้ดีกว่าในขณะที่เกิดเหตุการณ์ไม่คาดฝัน

- f แต่งกายให้เหมาะสม อย่าสวมเสื้อผ้าที่หลวม  
 หรือสวมใส่เครื่องประดับ ระวังระดับไปให้ผม  
 เสื้อผ้า หรือถุงมือ เข้าใกล้ชิ้นส่วนที่เคลื่อนที่ได้  
 เสื้อผ้าที่หลวม เครื่องประดับ หรือผมที่ยาว อาจจะถูก  
 เกี่ยวเข้าไปในส่วนของเคลื่อนได้ของเครื่องมือ

- g หากเครื่องมือนี้ใส่อุปกรณ์ที่ใช้ตัดกับและ  
 กำจัดฝุ่น ดูให้แน่ใจว่าได้อุปกรณ์เหล่านี้จะ  
 ช่วยลดอันตรายที่เกี่ยวข้องกับฝุ่นลงได้

### 4 การใช้งานและการดูแลเครื่องมือไฟฟ้า

- a อย่าใช้แรงฝืนเครื่องมือ ใช้เครื่องมือให้เหมาะ  
 สกกับงานที่ต้องการทำ เครื่องมือที่เหมาะสมจะ  
 สามารถทำงานได้ดีกว่าและปลอดภัยกว่าเมื่อใช้งาน  
 ตามพิกัดที่ได้ถูกออกแบบมา

- b ห้ามใช้เครื่องมือหากไม่สามารถเปิดหรือปิด  
 สวิตช์ของเครื่องมือได้ เครื่องมือใดๆ ก็ตามที่ไม  
 สามารถควบคุมด้วยสวิตช์ได้ อาจก่อให้เกิด  
 อันตราย และควรได้รับการซ่อมแซมโดยด่วน

- c ถอดปลั๊กของเครื่องมือออกก่อนที่จะทำการ  
 ปรับตั้ง หรือเปลี่ยนอุปกรณ์เสริม หรือจัดเก็บ  
 เครื่องมือ มาตรการป้องกันดังกล่าวช่วยลดความ  
 เสี่ยงที่เครื่องมือจะเริ่มการทำงานโดยไม่ได้ตั้งใจ

- d จัดเก็บเครื่องมือที่ไม่ได้ใช้งานให้พ้นจากเด็ก  
 และบุคคลอื่นที่ไม่ได้รับการฝึกฝนในการใช้  
 งานเครื่องมือนี้ เนื่องจากเครื่องมืออาจจะก่อให้เกิด  
 อันตรายได้ถ้าอยู่ในมือผู้ใช้ที่ไม่ได้รับการฝึกฝน  
 ในการใช้งาน

- e เก็บรักษาและดูแลเครื่องมืออย่างดี ตรวจสอบ  
 ว่าชิ้นส่วนที่เคลื่อนที่ได้มีการปิดเบี่ยงหรือติด  
 ชัด หรือมีชิ้นส่วนที่ชำรุดหรืออยู่ในสภาพใดๆ  
 ก็ตามที่อาจจะมีผลต่อการใช้งานของเครื่องมือ  
 หรือใน หากพบการชำรุดของเครื่องมือ จะต้อง  
 แก้ไขให้เรียบร้อยก่อนใช้งานเนื่องจากอุบัติเหตุ  
 ในหลายกรณีเกิดจากการไม่บำรุงรักษาเครื่องมือให้  
 อยู่ในสภาพดี

- f เก็บรักษาเครื่องมือสำหรับตัดให้คมและสะอาด  
 อยู่เสมอ การดูแลเครื่องมือสำหรับตัดที่มีคมตัด  
 อย่างเหมาะสมจะช่วยให้เครื่องมือไม่ติดขัดและง่ายต่อ  
 การควบคุม

- g ใช้เครื่องมือไฟฟ้า อุปกรณ์เสริม และดอกสว่าน  
 ต่างๆ ตามข้อแนะนำการใช้งานและด้วยวิธีใช้  
 งานที่กำหนดสำหรับเครื่องมือไฟฟ้าชนิดนั้นๆ  
 โดยคำนึงถึงสภาพการใช้งานและงานที่  
 ต้องการทำได้ การใช้เครื่องมือไฟฟ้าในการ  
 ทำงานที่นอกเหนือจากที่ได้กำหนดให้ใช้งานอาจ  
 จะทำให้เกิดอันตรายได้

### 5 การซ่อมแซม

- a การแก้ไขเครื่องมือจะต้องทำโดยช่างที่เชี่ยวชาญ  
 และใช้ชิ้นส่วนที่เหมือนกันในการเปลี่ยน  
 เท่านั้น ซึ่งจะช่วยให้อุปกรณ์มีความปลอดภัยใน  
 การใช้งานอยู่เสมอ

### ลักษณะของเครื่อง (รูป A)

เลื่อยจิ๊ก DW331/DW331K/DW333/DW333K ของ  
 ห่านได้รับการออกแบบมาเพื่องานตัดวัสดุที่ทำจากไม้  
 เหล็ก อลูมิเนียม พลาสติก และเซรามิก

- 1 สวิตช์เปิด/ปิด
- 2 ปุ่มล็อก
- 3 ปุ่มหมุนปรับความเร็ว
- 4 ที่ควบคุมตัวแปรชี้เลื่อย
- 5 สลักใบเลื่อย
- 6 ที่ป้องกันนิ้ว
- 7 ที่ยึดใบเลื่อย
- 8 ลูกกลิ้งนำร่อง
- 9 ฐาน
- 10 ตัวเลือกตุ้มช่วงชัก (Pendulum stroke)
- 11 ก้านปรับฐาน
- 13 ปลอกสวมกันสะเทือน (ตัวเลือก)
- 17 ตัวแปลงดักฝุ่น (ตัวเลือก)



## การใช้สายไฟต่อฟาง

หากจำเป็นต้องใช้สายฟาง ให้ใช้เฉพาะสายฟางที่เหมาะสมกับกำลังไฟด้านเข้าของเครื่องมือของคุณเท่านั้น (ดูข้อมูลทางด้านเทคนิค) พื้นที่หน้าตัดของลวดตัวนำต้องมีขนาดอย่างน้อยค่า 1.5 ตาราง มม. เมื่อใช้สายไฟแบบดลัมบิวัน ให้ดึงสายไฟออกมาจนสุดทุกครั้ง

## ความปลอดภัยทางไฟฟ้า

มอเตอร์ไฟฟ้าได้รับการออกแบบมาสำหรับแรงดันเพียงค่าเดียวเท่านั้น ตรวจสอบแรงดันของแหล่งจ่ายไฟทุกครั้งว่าตรงกับแรงดันที่อุปกรณ์แผ่นป้ายบอกพิกัดแรงดันหรือไม่



เครื่องมือ DeWALT ของท่านมีการทုံมจนวนสองชั้นตามมาตรฐาน EN 60745 ดังนั้นจึงไม่จำเป็นต้องใช้สายดิน

## การประกอบและการปรับตั้ง



ก่อนที่จะประกอบหรือปรับตั้งใดๆ ให้ถอดปลั๊กเครื่องมือก่อนทุกครั้ง

## การใส่และการถอดใบเลื่อย (รูป B)

เครื่องรุ่นนี้มีระบบเปลี่ยนใบเลื่อยโดยไม่ต้องใช้เครื่องมือ จึงช่วยให้สามารถเปลี่ยนใบเลื่อยได้อย่างง่ายดาย

- เปิดที่ยึดใบเลื่อย (7) โดยการดึงสลักใบเลื่อย (5) ออกให้สุด
- ใส่ใบเลื่อยเข้าไปในที่ยึดใบเลื่อย (7) จัดให้ด้านสันของใบเลื่อยลงในร่องของลูกกลิ้งนำร่อง (8)
- ปลดสลักใบเลื่อย (5)
- หากต้องการถอดใบเลื่อยออก ให้ดึงสลักใบเลื่อยออกให้สุดแล้วดึงใบเลื่อยออกจากที่ยึดใบเลื่อย

## ใบเลื่อย

ประเภทของใบเลื่อย	การใช้งาน
ใบเลื่อยฟันละเอียด	สำหรับการเลื่อยแบบละเอียด
ใบเลื่อยฟันหยาบ	สำหรับการเลื่อยแบบหยาบ
ใบเลื่อยตัดโลหะ	สำหรับโลหะที่ไม่ใช่เหล็กและโลหะประเภทเหล็ก
ใบเลื่อยตัดระนาบ*	สำหรับใช้ในการตัดตกแต่งให้ได้ระดับกับผนังหรือขอบ

\* อาจจะไม่มีขายในบางประเทศ



ให้เลือกประเภทของใบเลื่อยด้วยความระมัดระวัง

## การตั้งมุมเฉียง (รูป C)

พื้นฐานของเลื่อยแบบปรับได้ (9) สามารถปรับให้ตั้งมุมเฉียงที่ด้านซ้ายมือและขวามือได้ถึง 45° ระดับความเฉียงที่สั่งมาให้แล้วอยู่ที่ 0°, 15°, 30° และ 45°

- ปลดยก้านปรับฐานเลื่อย (11)
- เลื่อนฐานเลื่อย (9) เข้าหาใบเลื่อย
- เอียงฐานเลื่อยและตั้งให้ได้มุมเฉียงที่ต้องการโดยใช้เกลียวที่หมุนมา
- บิดก้านปรับฐานกลับให้แนบ

## การตั้งศูนย์กลางซีก (รูป A)

ตุ้มซีกแบบปรับตั้งได้จะช่วยให้อาจสามารถกำหนดช่วงซีกในการเลื่อยที่เหมาะสมสำหรับวัสดุแต่ละประเภทได้

- เลื่อนตัวเลือก (10) ไปยังตำแหน่งที่ต้องการโดยอ้างอิงจากตารางด้านล่างนี้ การเลือกตัวเลือกสามารถทำได้แม้ในระหว่างการใช้งาน

ตำแหน่ง	ไม้	โลหะ	พลาสติก
3	เลื่อยแบบเร็ว	-	พีวีซี
2	ซิงงานหนา	-	ไฟเบอร์กลาส อะคริลิก
1	ไม้สัด	อะลูมิเนียม	-
	ซิงไม้สับ	ไม้โซเหล็ก	-
0	ซิงงานอย่างบาง	โลหะแผ่น	-

## การตั้งตัวเป่าซีเลื่อย (รูป A)

ตัวเป่าซีเลื่อยช่วยปรับลมที่พ่นเข้าไปยังใบเลื่อยเพื่อทำให้ชิ้นงานไม่มีซีเลื่อยติดอยู่ในระหว่างการเลื่อย

- ตั้งตัวเป่าซีเลื่อยโดยใช้ก้านปรับ (4)
  - .low สำหรับการเลื่อยโลหะ เมื่อมีการใช้น้ำยาหล่อเย็นและน้ำมันหล่อลื่น และใช้ร่วมกับเครื่องกำจัดฝุ่น
  - Intermediate สำหรับการเลื่อยไม้และวัสดุที่คล้ายคลึงกันที่เลื่อยด้วยความเร็วต่ำ
  - High สำหรับการเลื่อยไม้และวัสดุที่คล้ายคลึงกันที่เลื่อยด้วยความเร็วสูง

## การดึงที่ครอบฐานแบบพลาสติกเพื่อป้องกันการขูดขีด (รูป D)

ฐานกันการขูดขีด (12) ช่วยลดความเสียหายต่อพื้นผิวของชิ้นงานที่ละเอียดอ่อน

- ใส่ที่ครอบเข้าไปบนดินฐานของเลื่อยดังแสดงในภาพ

### การใส่และการถอดแผ่นรองฐานกันการกระแทก (รูป E1 & E2)

แผ่นรองฐานกันการกระแทก (13) ซึ่งจะแนบสนิทกับใบเลื่อยจะช่วยลดการกระแทกของชิ้นงาน แผ่นรองนี้สามารถใส่เข้าไปได้ทั้งในฐานะหรือที่ครอบฐาน

- ถอดแผ่นรอง (13) ในทิศทางดังแสดงในรูป
- การใส่แผ่นรองเข้าไปในฐานะ (9):
  - สอดขอบของแผ่นรอง (14) เข้าไปตามร่อง (15)
  - เลื่อนแผ่นรองให้เข้าที่ในต้นฐาน
- การใส่แผ่นรองเข้าไปในที่ครอบฐาน (12):
  - สอดขอบของแผ่นรอง (14) เข้าไปหลังขีมนที่ครอบฐาน (16)
  - ดันส่วนหน้าของแผ่นรองเข้าหาที่ครอบฐาน แผ่นรองจะถูกกดเข้าที่
- หากต้องการถอดแผ่นรองกันการกระแทก ให้ทำตามขั้นตอนข้างต้นแบบย้อนกลับ

### อุปกรณ์กำจัดฝุ่น (รูป F)

เมื่อต่อเข้ากับระบบกำจัดฝุ่นที่เหมาะสม หัวกำจัดฝุ่น (17) ซึ่งใช้ร่วมกับที่ครอบกันฝุ่น (18) จะช่วยแยกฝุ่นหรือขี้เลื่อยออกจากผิวชิ้นงานได้

- ใส่ที่ครอบกันฝุ่น (18) เข้ากับที่ป้องกันนิ้ว (6) จนตลึงเข้าที่
- ติดหัวกำจัดฝุ่น (17) เข้ากับเครื่องดังแสดงในภาพ
- ต่อท่อของระบบกำจัดฝุ่นที่เหมาะสมเข้ากับหัวต่อ



เมื่อต้องการใช้งาน ให้ต่อระบบกำจัดฝุ่นที่ออกแบบมาตรงตามคำแนะนำในการกำจัดฝุ่น



ห้ามใช้ระบบกำจัดฝุ่นโดยไม่มีระบบป้องกัน การเกิดประกายไฟเมื่อทำการเลื่อยโลหะ

### ข้อแนะนำในการใช้งาน



- ให้ศึกษาข้อแนะนำด้านความปลอดภัยในการใช้งานและข้อกำหนดที่เกี่ยวข้องอยู่เสมอ
- ดูให้แน่ใจว่าได้จับยึดชิ้นงานอย่างมั่นคง กำจัดตะปู สกรู และสลักเกลียวอื่นๆ ซึ่งอาจจะทำให้ใบเลื่อยเสียหายได้
- ดูให้แน่ใจว่ามีพื้นที่ว่างได้ชิ้นงานกว้างเพียงพอสำหรับใบเลื่อย ห้ามเลื่อยวัสดุที่

มีความหนาเกินความลึกสูงสุดที่ใบเลื่อยจะเลื่อยได้

- ใช้เฉพาะใบเลื่อยที่มีความคม จะต้องถอดใบเลื่อยที่ชำรุดหรือโค้งงอทั้งทันที
- ห้ามใช้เครื่องมือในการเลื่อยท่อ
- ห้ามเปิดเครื่องให้ทำงานโดยไม่ใส่ใบเลื่อย
- เพื่อให้เลื่อยได้อย่างมีประสิทธิภาพที่สุด ให้เลื่อยเลื่อยบนชิ้นงานอย่างสม่ำเสมอ และคงที่ ห้ามใช้แรงกดทางด้านข้างของใบเลื่อย รักษาระดับของฐานให้แนบกับชิ้นงานและคอยจัดให้สายไฟของเครื่องอยู่ในแนวเดียวกับเครื่อง ขณะที่เลื่อยเป็นแนวโค้ง วงกลม หรือเป็นรูปทรงกลมแบบอื่นๆ ให้ดันเลื่อยไปข้างหน้าอย่างนิ่มนวล
- คอยให้เครื่องหยุดจนสนิทก่อนที่จะดึงใบเลื่อยออกจากชิ้นงาน ภายหลังจากเลื่อยใบเลื่อยอาจร้อน ดังนั้น ห้ามสัมผัสกับใบเลื่อย

### การเปิดและปิดเครื่อง (รูป A)

#### DW331/DW331K

- ในการเปิดเครื่อง ให้กดสวิตช์เปิด/ปิด (1)
- ในการใช้งานแบบต่อเนื่อง ให้กดสวิตช์ (1) ค้างไว้ กดปุ่มล็อก (2) แล้วจึงปล่อยสวิตช์
- เมื่อต้องการหยุดเครื่องมือ ให้ปล่อยสวิตช์
- หากต้องการหยุดการทำงานแบบต่อเนื่อง ให้กดสวิตช์ชั่วคราวและปล่อยออก ให้ปิดสวิตช์เครื่องทันทีจะถอดปลั๊กทุกครั้งเพื่อเสร็จสิ้นการใช้งาน

#### DW333/DW333K

- การเปิดเครื่อง: เลื่อนสวิตช์เปิด/ปิด (1) ไปข้างหน้า
- การปิดเครื่อง: เลื่อนสวิตช์เปิด/ปิดกลับมาข้างหลัง ให้ปิดสวิตช์เครื่องก่อนที่จะถอดปลั๊กทุกครั้งเพื่อเสร็จสิ้นการใช้งาน

### การปรับตั้งความเร็วในการเลื่อย (รูป G1 & G2)

#### DW331/DW331K (รูป G1)

ความเร็วของการเลื่อยจะเปลี่ยนไปตามแรงที่กดบนสวิตช์เปิด/ปิด (1)

- หากต้องการตั้งความเร็วในการเลื่อย ให้หมุนปุ่มควบคุม (3) ไปยังระดับที่ต้องการ อัตราที่สูงขึ้นหมายถึงความเร็วในการเลื่อยเพิ่มขึ้น ความจำเป็นในการปรับตั้งความเร็วจะขึ้นกับความหนาและชนิดของวัสดุที่เลื่อย
- ใช้ความเร็วสูงในการเลื่อยวัสดุที่ไม่แข็งมาก เช่น ไม้ ใช้ความเร็วต่ำในการเลื่อยโลหะ

### DW333/DW333K (รูป G2)

ปุ่มปรับควบคุมความเร็ว (3) สามารถใช้ในการปรับตั้งขั้นสูงให้ได้ช่วงความเร็วตามที่ต้องการ

- หมุนปุ่มปรับควบคุมความเร็วไปยังระดับที่ต้องการ ความจำเป็นในการปรับตั้งความเร็วจะขึ้นกับความหนาและชนิดของวัสดุที่เลื่อย
- ใช้ความเร็วสูงในการเลื่อยวัสดุที่ไม่แข็งมาก เช่น ไม้ ใช้ความเร็วต่ำในการเลื่อยโลหะ



หลังจากใช้งานเลื่อยที่ความเร็วต่ำเป็นเวลานานๆ ให้ปรับเลื่อยให้ทำงานที่ความเร็วสูงสุดโดยไม่มีโหลดเป็นเวลาประมาณ 3 นาที

### การเลื่อยในไม้

- หากจำเป็น ให้ลากเส้นแนวที่ต้องการเลื่อย
- เปิดเครื่องให้ทำงาน
- ถือเครื่องเข้าหาชิ้นงานและเลื่อยตามรอยแนวที่ลากไว้
- สำหรับการเลื่อยในแนวขนานกับขอบของชิ้นงาน ให้ตัดตัวกั้นแนวขนาน (อุปกรณ์เสริม) และจัดให้เลื่อยอยู่ในแนวของชิ้นงานดังแสดงในรูป H

### การเลื่อยในไม้โดยใช้การเจาะรูนำ

- หากจำเป็น ให้ลากเส้นแนวที่ต้องการเลื่อย
- เจาะรูนำ (เส้นผ่าศูนย์กลางอย่างน้อย 12 มม) และใส่ใบเลื่อยเข้าไป
- เปิดเครื่องให้ทำงาน
- เลื่อยไปตามแนวเส้นที่ลากไว้
- สำหรับการเลื่อยให้ได้ความโค้งที่ต้องการ ให้ติดตั้งวงเวียน (อุปกรณ์เสริม) และตั้งให้ได้รัศมีที่ต้องการ (รูป I)

### การเลื่อยไปจนถึงแนวขอบที่กำหนดไว้ (รูป J)

- ใช้ใบเลื่อยธรรมดา เลื่อยไปจนถึงขอบที่กำหนดไว้
- ใช้ใบเลื่อยตัดระนาบในการเลื่อยในขั้นสุดท้าย



### อุปกรณ์กำจัดฝุ่น (รูป F)

- เมื่อมีการใช้งานเลื่อยภายในร่มเป็นระยะเวลานาน ใช้อุปกรณ์กำจัดฝุ่นที่ออกแบบมาสำหรับการกำจัดฝุ่น

### การเลื่อยในโลหะ

- เลือกใส่ใบเลื่อยที่เหมาะสม
- ดำเนินการตามขั้นตอนข้างต้น



ใช้น้ำมันหล่อลื่นเพื่อลดความร้อน (น้ำมันตัด) เพื่อป้องกันใบเลื่อยหรือชิ้นงานไม่ไหม้ร้อนจัดเกินไป

### การบำรุงรักษา

เครื่องรอกไฟฟ้า DEWALT ของท่านได้รับการออกแบบให้สามารถใช้งานได้เป็นระยะเวลายาวนานโดยไม่ต้องมีการบำรุงรักษามากนัก การดูแลและทำความสะอาดเครื่องมืออย่างถูกต้อง จะช่วยให้สามารถใช้งานเครื่องมือได้อย่างสมบูรณ์และต่อเนื่อง



### การหล่อลื่นลูกกลิ้งนำร่อง (รูป B)

- หยดน้ำมันลงบนลูกกลิ้งนำร่อง (8) หนึ่งหยดตามช่วงระยะเวลาที่เหมาะสมเพื่อป้องกันการติดขัด



### การทำความสะอาด

ดูแลใจช่องระบายอากาศไม่อุดตันและทำความสะอาดตัวเครื่องเป็นประจำด้วยผ้านุ่ม

### การปกป้องสิ่งแวดล้อม



ควรแยกเพื่อการจัดเก็บ ผลิตภัณฑ์ชิ้นนี้จะต้องไม่นำไปทิ้งปนกับขยะตามบ้านเรือนโดยทั่วไป

เมื่อท่านต้องการเปลี่ยนผลิตภัณฑ์จาก DEWALT เป็นเครื่องใหม่ หรือหากท่านไม่ต้องการใช้งานเครื่องนี้อีกต่อไป กรุณายานำเครื่องไปทิ้งปนกับขยะตามบ้านเรือนโดยทั่วไป แยกเก็บผลิตภัณฑ์นี้เพื่อรอการจัดเก็บต่างหาก



การแยกผลิตภัณฑ์และบรรจุภัณฑ์ที่ใช้แล้ว เพื่อการจัดเก็บต่างหากจะช่วยให้สามารถนำวัสดุไปรีไซเคิลและนำกลับมาใช้ได้อีกครั้ง การนำวัสดุที่ผ่านการรีไซเคิลกลับมาใช้ใหม่เป็นการช่วยป้องกันมลพิษต่อสิ่งแวดล้อมและลดปริมาณความต้องการวัตถุดิบจากธรรมชาติลง

### ข้อมูลด้านการบริการ

DEWALT มีเครือข่ายศูนย์บริการของตัวเอง รวมทั้งศูนย์บริการที่ได้รับอนุญาตทั่วทั้งเอเชีย ศูนย์บริการทุกแห่งของ DEWALT ล้วนมีพนักงานที่ผ่านการฝึกอบรมเพื่อให้บริการทางด้านเครื่องมือช่างที่มีประสิทธิภาพและเชื่อถือได้ หากท่านต้องการ คำปรึกษาทางด้านเทคนิค การซ่อมอุปกรณ์ หรือต้องการอะไหล่ของแท้จากโรงงาน กรุณาติดต่อ DEWALT ที่อยู่ใกล้ท่าน

### หมายเหตุ

- DEWALT มีนโยบายในการปรับปรุงผลิตภัณฑ์ของเราอย่างต่อเนื่อง ดังนั้น เราขอสงวนสิทธิ์ในการเปลี่ยนแปลงคุณลักษณะเฉพาะของผลิตภัณฑ์โดยไม่ต้องมีการแจ้งให้ทราบล่วงหน้า
- อุปกรณ์มาตรฐานและอุปกรณ์เสริมอาจแตกต่างกันไปตามแต่ละประเทศ
- คุณลักษณะเฉพาะของผลิตภัณฑ์อาจมีความแตกต่างกันไปในแต่ละประเทศ
- ผลิตภัณฑ์บางรุ่นอาจจะไม่มีจำหน่ายในบางประเทศ กรุณาติดต่อตัวแทนขายของ DEWALT ในพื้นที่ของท่านเพื่อทราบข้อมูลเกี่ยวกับสินค้าที่มีวางจำหน่าย