

DEWALT®

www.DEWALT.com

DWE560

English (*original instructions*)

6

Français (*traduction de la notice d'instructions originale*)

14

العربية: (مترجم عن التعليمات الأصلية)

23

Figure A
A شکل

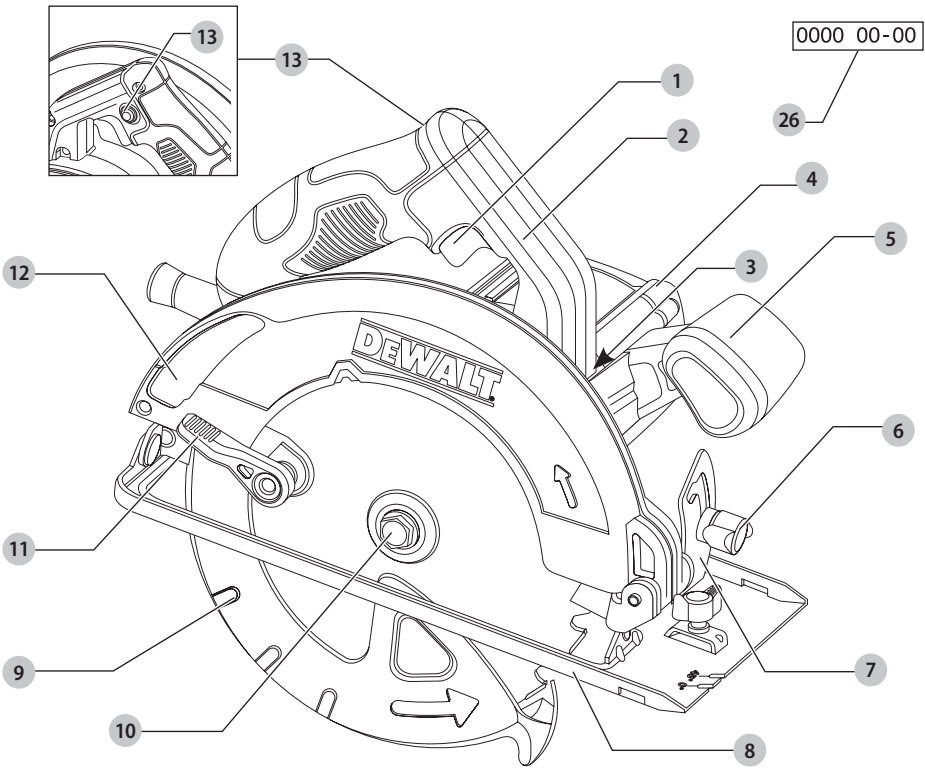


Figure B
B شکل

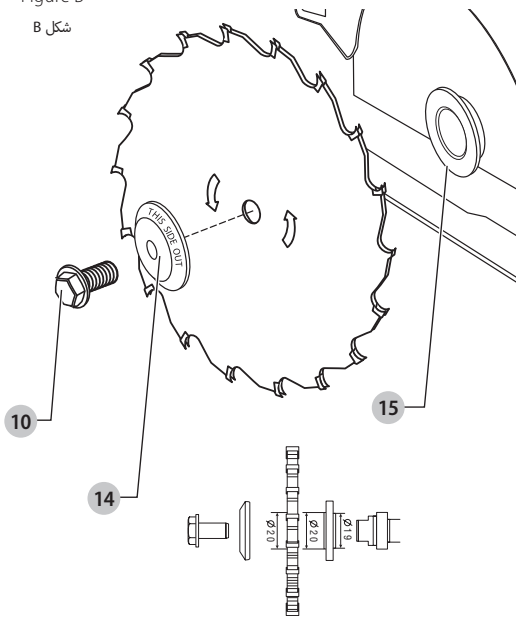


Figure C
C شکل

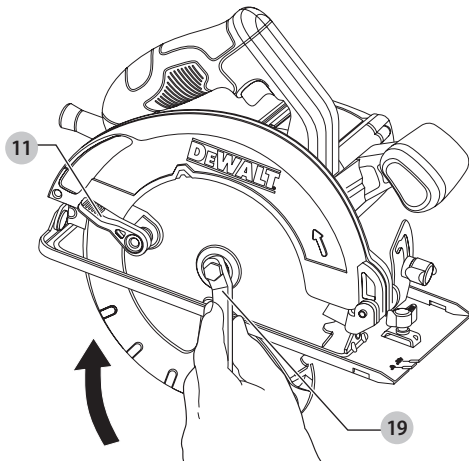


Figure D
D شکل

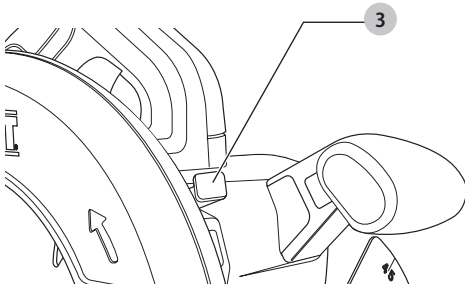


Figure E
E شکل

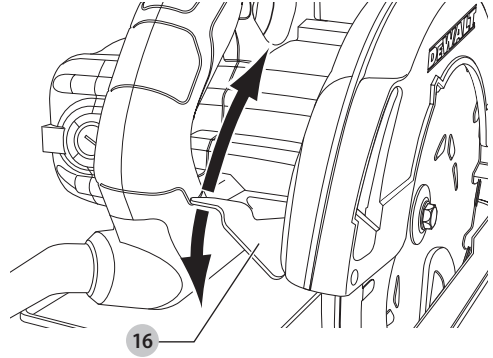


Figure F
F شکل

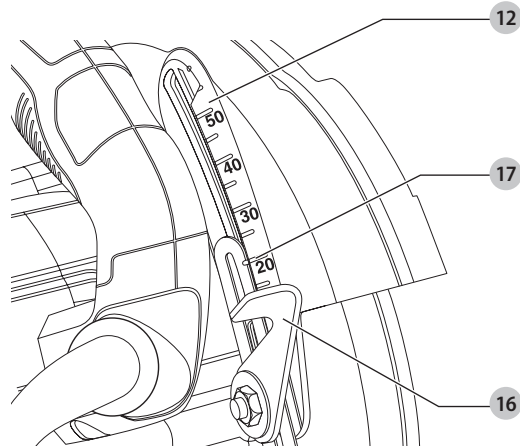


Figure G
G شکل

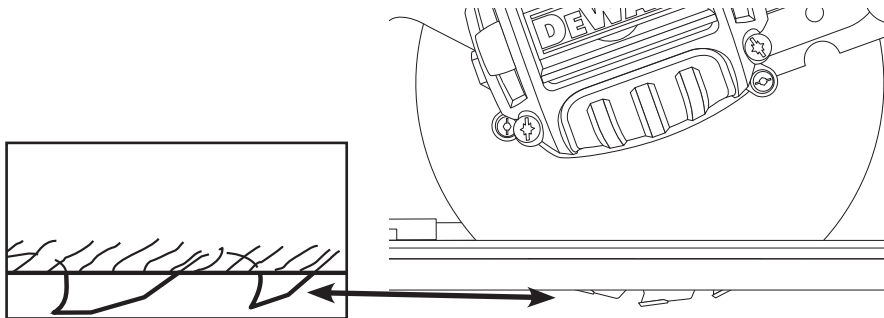


Figure H

شکل H

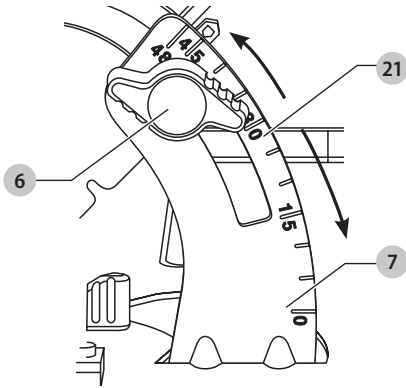


Figure I

شکل I

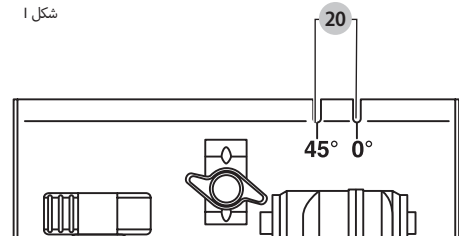


Figure J

شکل J

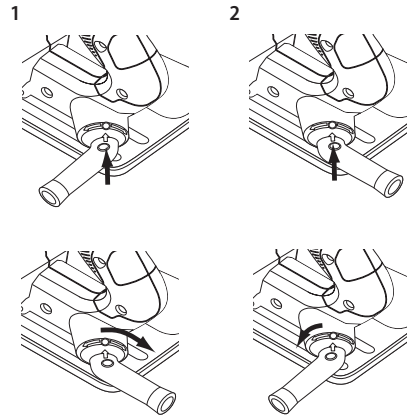
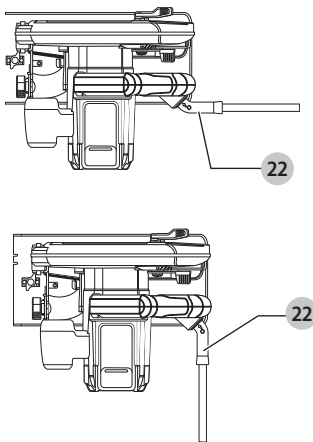


Figure K

شکل K

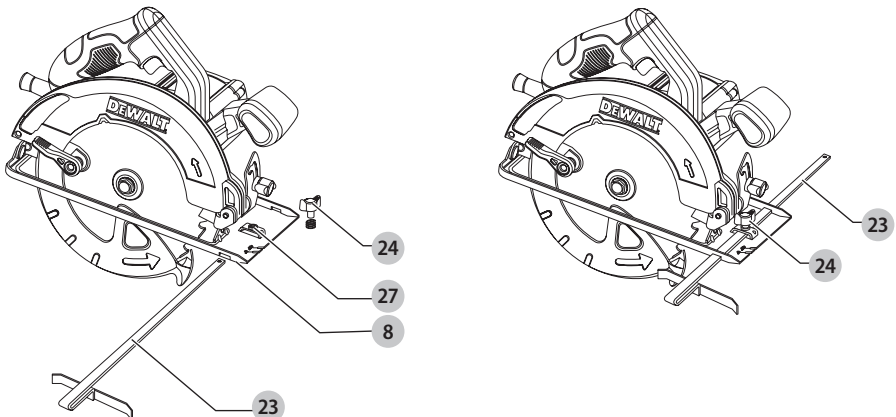


Figure L

شکل L

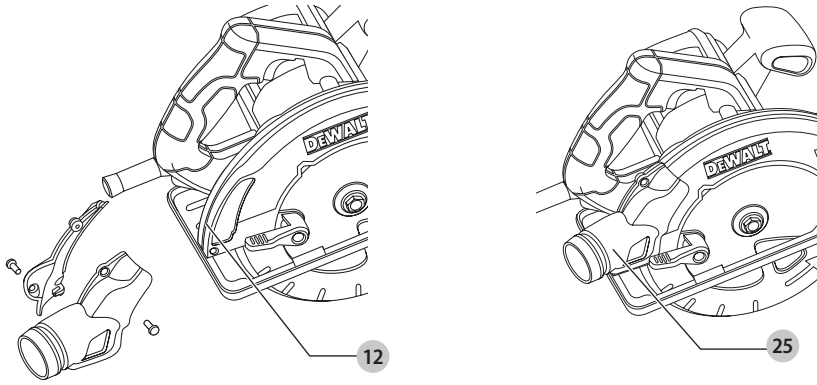


Figure M

شکل M

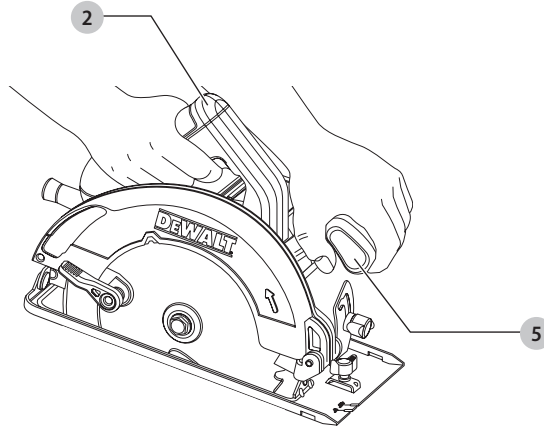


Figure N

شکل N

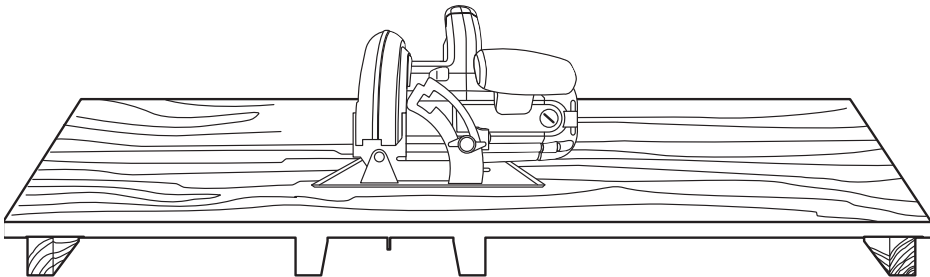


Figure O

شکل O

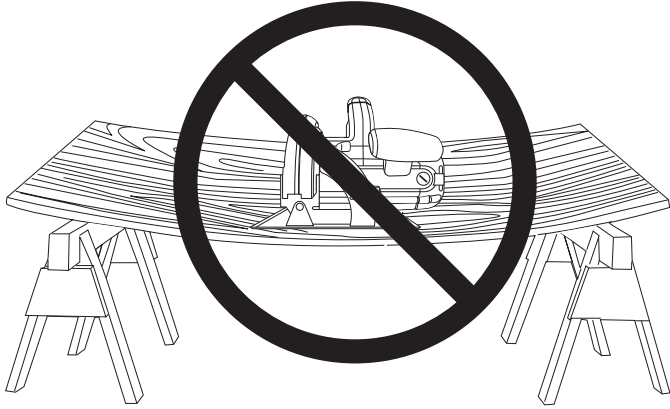


Figure P

شکل P

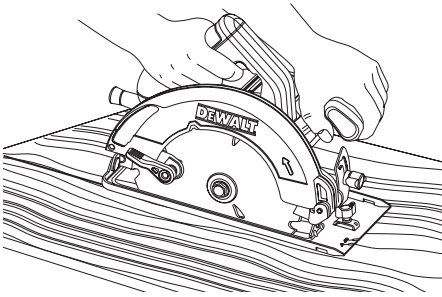


Figure Q

شکل Q



Figure R

شکل R

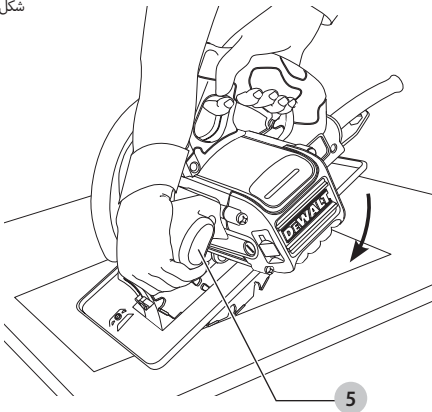
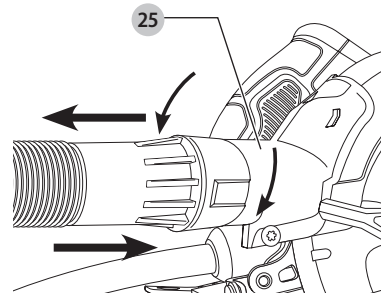


Figure S

شکل S



184 mm CIRCULAR SAW

DWE560

Congratulations!

You have chosen a DeWALT tool. Years of experience, thorough product development and innovation make DeWALT one of the most reliable partners for professional power tool users.

Technical Data

		DWE560
Voltage	V_{AC}	220/240 120
Type		1
Power input	W	1350
No-load speed	min^{-1}	5500
Blade diameter	mm	184
Maximum depth of cut at		
90°	mm	65
45°	mm	42
Blade bore	mm	16
Bevel angle adjustment		48°
Weight	kg	3.66

Definitions: Safety Guidelines

The definitions below describe the level of severity for each signal word. Please read the manual and pay attention to these symbols.



DANGER: Indicates an imminently hazardous situation which, if not avoided, **will** result in **death or serious injury**.



WARNING: Indicates a potentially hazardous situation which, if not avoided, **could** result in **death or serious injury**.



CAUTION: Indicates a potentially hazardous situation which, if not avoided, **may** result in **minor or moderate injury**.

NOTICE: Indicates a practice **not related to personal injury** which, if not avoided, **may** result in **property damage**.



Denotes risk of electric shock.



Denotes risk of fire.



WARNING: To reduce the risk of injury, read the instruction manual.

General Power Tool Safety Warnings



WARNING: Read all safety warnings and all instructions. Failure to follow the warnings and instructions may result in electric shock, fire and/or serious injury.

SAVE ALL WARNINGS AND INSTRUCTIONS FOR FUTURE REFERENCE

The term "power tool" in the warnings refers to your mains-operated (corded) power tool or battery-operated (cordless) power tool.

1) Work area safety

- Keep work area clean and well lit.** Cluttered or dark areas invite accidents.
- Do not operate power tools in explosive atmospheres, such as in the presence of flammable liquids, gases or dust.** Power tools create sparks which may ignite the dust or fumes.
- Keep children and bystanders away while operating a power tool.** Distractions can cause you to lose control.

2) Electrical safety

- Power tool plugs must match the outlet. Never modify the plug in any way. Do not use any adapter plugs with earthed (grounded) power tools.** Unmodified plugs and matching outlets will reduce risk of electric shock.
- Avoid body contact with earthed or grounded surfaces such as pipes, radiators, ranges and refrigerators.** There is an increased risk of electric shock if your body is earthed or grounded.
- Do not expose power tools to rain or wet conditions.** Water entering a power tool will increase the risk of electric shock.
- Do not abuse the cord. Never use the cord for carrying, pulling or unplugging the power tool. Keep cord away from heat, oil, sharp edges or moving parts.** Damaged or entangled cords increase the risk of electric shock.
- When operating a power tool outdoors, use an extension cord suitable for outdoor use.** Use of a cord suitable for outdoor use reduces the risk of electric shock.
- If operating a power tool in a damp location is unavoidable, use a residual current device (RCD) protected supply.** Use of an RCD reduces the risk of electric shock.

3) Personal safety

- Stay alert, watch what you are doing and use common sense when operating a power tool. Do not use a power tool while you are tired or under the influence of drugs, alcohol or medication.** A moment of inattention while operating power tools may result in serious personal injury.
- Use personal protective equipment. Always wear eye protection.** Protective equipment such as dust mask, non-skid safety shoes, hard hat, or hearing protection used for appropriate conditions will reduce personal injuries.
- Prevent unintentional starting. Ensure the switch is in the off position before connecting to power**

source and/or battery pack, picking up or carrying the tool. Carrying power tools with your finger on the switch or energising power tools that have the switch on invites accidents.

- d) **Remove any adjusting key or wrench before turning the power tool on.** A wrench or a key left attached to a rotating part of the power tool may result in personal injury.
- e) **Do not overreach. Keep proper footing and balance at all times.** This enables better control of the power tool in unexpected situations.
- f) **Dress properly. Do not wear loose clothing or jewellery. Keep your hair, clothing and gloves away from moving parts.** Loose clothes, jewellery or long hair can be caught in moving parts.
- g) **If devices are provided for the connection of dust extraction and collection facilities, ensure these are connected and properly used.** Use of dust collection can reduce dust-related hazards.

4) Power tool use and care

- a) **Do not force the power tool. Use the correct power tool for your application.** The correct power tool will do the job better and safer at the rate for which it was designed.
- b) **Do not use the power tool if the switch does not turn it on and off.** Any power tool that cannot be controlled with the switch is dangerous and must be repaired.
- c) **Disconnect the plug from the power source and/or the battery pack from the power tool before making any adjustments, changing accessories, or storing power tools.** Such preventive safety measures reduce the risk of starting the power tool accidentally.
- d) **Store idle power tools out of the reach of children and do not allow persons unfamiliar with the power tool or these instructions to operate the power tool.** Power tools are dangerous in the hands of untrained users.
- e) **Maintain power tools. Check for misalignment or binding of moving parts, breakage of parts and any other condition that may affect the power tool's operation. If damaged, have the power tool repaired before use.** Many accidents are caused by poorly maintained power tools.
- f) **Keep cutting tools sharp and clean.** Properly maintained cutting tools with sharp cutting edges are less likely to bind and are easier to control.
- g) **Use the power tool, accessories and tool bits etc., in accordance with these instructions taking into account the working conditions and the work to be performed.** Use of the power tool for operations different from those intended could result in a hazardous situation.

5) Service

- a) **Have your power tool serviced by a qualified repair person using only identical replacement parts.** This will ensure that the safety of the power tool is maintained.

ADDITIONAL SPECIFIC SAFETY RULES FOR CIRCULAR SAWS

Safety Instructions for All Saws

- a) **⚠ DANGER: Keep hands away from cutting area and the blade. Keep your second hand on auxiliary handle, or motor housing.** If both hands are holding the saw, they cannot be cut by the blade.
- b) **Do not reach underneath the workpiece.** The guard cannot protect you from the blade below the workpiece.
- c) **Adjust the cutting depth to the thickness of the workpiece.** Less than a full tooth of the blade teeth should be visible below the workpiece.
- d) **Never hold piece being cut in your hands or across your leg. Secure the workpiece to a stable platform.** It is important to support the work properly to minimize body exposure, blade binding, or loss of control.
- e) **Hold power tool by insulated gripping surfaces when performing an operation where the cutting tool may contact hidden wiring.** Contact with a "live" wire will also make exposed metal parts of the power tool "live" and shock the operator.
- f) **When ripping, always use a rip fence or straight edge guide.** This improves the accuracy of cut and reduces the chance of blade binding.
- g) **Always use blades with correct size and shape (diamond versus round) of arbour holes.** Blades that do not match the mounting hardware of the saw will run eccentrically, causing loss of control.
- h) **Never use damaged or incorrect blade washers or bolt.** The blade washers and bolt were specially designed for your saw, for optimum performance and safety of operation.

Causes and Operator Prevention of Kickback

- Kickback is a sudden reaction to a pinched, bound or misaligned saw blade, causing an uncontrolled saw to lift up and out of the workpiece toward the operator;
- When the blade is pinched or bound tightly by the kerf closing down, the blade stalls and the motor reaction drives the unit rapidly back toward the operator;
- If the blade becomes twisted or misaligned in the cut, the teeth at the back edge of the blade can dig into the top surface of the wood causing the blade to climb out of the kerf and jump back toward the operator.

Kickback is the result of saw misuse and/or incorrect operating procedures or conditions and can be avoided by taking proper precautions as given below:

- a) **Maintain a firm grip with both hands on the saw and position your arms to resist kickback forces. Position your body to either side of the blade, but not in line with the blade.** Kickback could cause the saw to jump backwards, but kickback forces can be controlled by the operator, if proper precautions are taken.

- b) **When blade is binding, or when interrupting a cut for any reason, release the trigger and hold the saw motionless in the material until the blade comes to a complete stop. Never attempt to remove the saw from the work or pull the saw backward while the blade is in motion or kickback may occur.** Investigate and take corrective actions to eliminate the cause of blade binding.
- c) **When restarting a saw in the workpiece, centre the saw blade in the kerf and check that saw teeth are not engaged into the material.** If saw blade is binding, it may walk up or kickback from the workpiece as the saw is restarted.
- d) **Support large panels to minimise the risk of blade pinching and kickback. Large panels tend to sag under their own weight.** Supports must be placed under the panel on both sides, near the line of cut and near the edge of the panel.
- e) **Do not use dull or damaged blades.** Unsharpened or improperly set blades produce narrow kerf causing excessive friction, blade binding and kickback.
- f) **Blade depth and bevel adjusting locking levers must be tight and secure before making cut.** If blade adjustment shifts while cutting, it may cause binding and kickback.
- g) **Use extra caution when sawing into existing walls or other blind areas.** The protruding blade may cut objects that can cause kickback.

Lower Guard Safety Instructions

- a) **Check lower guard for proper closing before each use. Do not operate the saw if lower guard does not move freely and close instantly. Never clamp or tie the lower guard into the open position. If saw is accidentally dropped, lower guard may be bent.** Raise the lower guard with the retracting handle and make sure it moves freely and does not touch the blade or any other part, in all angles and depths of cut.
- b) **Check the operation of the lower guard spring. If the guard and the spring are not operating properly, they must be serviced before use.** Lower guard may operate sluggishly due to damaged parts, gummy deposits, or a build-up of debris.
- c) **Lower guard should be retracted manually only for special cuts such as "plunge cuts" and "compound cuts". Raise lower guard by retracting handle and as soon as blade enters the material, the lower guard must be released.** For all other sawing, the lower guard should operate automatically.
- d) **Always observe that the lower guard is covering the blade before placing saw down on bench or floor. An unprotected, coasting blade will cause the saw to walk backwards, cutting whatever is in its path.** Be aware of the time it takes for the blade to stop after switch is released.

Additional Safety Instructions for Circular Saws

- **Wear ear protectors.** Exposure to noise can cause hearing loss.
- **Wear a dust mask.** Exposure to dust particles can cause breathing difficulty and possible injury.
- **Do not use blades of larger or smaller diameter than recommended.** For the proper blade rating refer to the technical data. Use only the blades specified in this manual, complying with EN 847-1.
- **Never use abrasive cut-off wheels.**
- **Do not use water feed attachments.**
- **Use clamps or another practical way to secure and support the workpiece to a stable platform.** Holding the work by hand or against your body leaves it unstable and may lead to loss of control.



WARNING: We recommend the use of a residual current device with a residual current rating of 30mA or less.

Residual Risks

The following risks are inherent to the use of circular saws.

- Injuries caused by touching the rotating parts or hot part of the tool.

In spite of the application of the relevant safety regulations and the implementation of safety devices, certain residual risks cannot be avoided. These are:

- Impairment of hearing.
- Risk of squeezing fingers when changing the accessory.
- Health hazards caused by breathing dust developed when working in wood.

Electrical Safety

The electric motor has been designed for one voltage only. Always check that the power supply corresponds to the voltage on the rating plate.



Your DeWALT tool is double insulated in accordance with EN60745; therefore no earth wire is required.



WARNING: 120V units have to be operated via a fail-safe isolating transformer with an earth screen between the primary and secondary winding.

If the supply cord is damaged, it must be replaced by a specially prepared cord available through the DEWALT service organisation.

Mains Plug Replacement (Middle East and Africa)

If a new mains plug needs to be fitted:

- Safely dispose of the old plug.
- Connect the brown lead to the live terminal in the plug.
- Connect the blue lead to the neutral terminal.



WARNING: No connection is to be made to the earth terminal.

Follow the fitting instructions supplied with good quality plugs.
Recommended fuse: 13 A.

Using an Extension Cable

If an extension cable is required, use an approved 3-core extension cable suitable for the power input of this tool (see **Technical Data**). The minimum conductor size is 1.5 mm²; the maximum length is 30 m.

When using a cable reel, always unwind the cable completely.

Package Contents

The package contains:

- 1 184 mm circular saw
- 1 Circular saw blade
- 1 Blade wrench
- 1 Parallel fence
- 1 Dust extraction spout
- 1 Instruction manual
- Check for damage to the tool, parts or accessories which may have occurred during transport.
- Take the time to thoroughly read and understand this manual prior to operation.

Markings on Tool

The following pictograms are shown on the tool:



Read instruction manual before use.



Wear ear protection.



Wear eye protection.

Date Code Position (Fig. A)

The date code (26), which also includes the year of manufacture, is printed into the housing.

Example:

2019 XX XX

Year of Manufacture

Description (Fig. A)



WARNING: Never modify the power tool or any part of it. Damage or personal injury could result.

- | | |
|------------------------------------|-------------------------|
| 1 Trigger switch | 8 Base plate |
| 2 Main handle | 9 Lower blade guard |
| 3 Blade lock | 10 Blade clamping screw |
| 4 End cap | 11 Lower guard lever |
| 5 Auxiliary handle | 12 Upper blade guard |
| 6 Bevel adjustment knob | 13 Lock-off button |
| 7 Bevel angle adjustment mechanism | |

Intended Use

These heavy-duty circular saws are designed for professional wood cutting applications. **DO NOT** use water feed attachments with this saw. **DO NOT** use abrasive wheels or blades.

DO NOT use under wet conditions or in the presence of flammable liquids or gases.

These heavy-duty saws are professional power tools.

DO NOT let children come into contact with the tool.

Supervision is required when inexperienced operators use this tool.

- This product is not intended for use by persons (including children) suffering from diminished physical, sensory or mental abilities; lack of experience, knowledge or skills unless they are supervised by a person responsible for their safety. Children should never be left alone with this product.

ASSEMBLY AND ADJUSTMENTS



WARNING: To reduce the risk of serious personal injury, turn tool off and disconnect tool from power source before making any adjustments or removing/installing attachments or accessories. Be sure the trigger switch is in the OFF position. An accidental start-up can cause injury.

Changing Blades

To Install the Blade (Fig. A–D)

1. Using the lower guard lever **11**, retract the lower blade guard **9** and place blade on saw spindle against the inner clamp washer **15**, making sure that the blade will rotate in the proper direction (the direction of the rotation arrow on the saw blade and the teeth must point in the same direction as the direction of rotation arrow on the saw). Do not assume that the printing on the blade will always be facing you when properly installed. When retracting the lower blade guard to install the blade, check the condition and operation of the lower blade guard to assure that it is working properly. Make sure it moves freely and does not touch the blade or any other part, in all angles and depths of cut.
2. Place outer clamp washer **14** on saw spindle with the large flat surface against the blade and the wording on the outer clamp washer facing you.
3. Thread blade clamping screw **10** into saw spindle by hand (screw has right-hand threads and must be turned clockwise to tighten).
4. Depress the blade lock **3** while turning the saw spindle with the blade wrench until the blade lock engages and the blade stops rotating.
5. Tighten the blade clamping screw firmly with the blade wrench.

NOTE: Never engage the blade lock while saw is running, or engage in an effort to stop the tool. Never turn the saw on while the blade lock is engaged. Serious damage to your saw will result.

To Replace the blade (Fig. B–D)

- To loosen the blade clamping screw **10**, depress the blade lock **3** and turn the saw spindle with the blade wrench **19** until the blade lock engages and the blade stops rotating. With the blade lock engaged, turn the blade clamping screw counterclockwise with the blade wrench (screw has right-hand threads and must be turned counterclockwise to loosen).
- Remove the blade clamping screw **10** and outer clamp washer **14**. Remove old blade.
- Clean any sawdust that may have accumulated in the guard or clamp washer area and check the condition and operation of the lower blade guard as previously outlined. Do not lubricate this area.
- Always use blades that are the correct size (diameter) with the proper size and shape centre hole for mounting on the saw spindle. Always assure that the maximum recommended speed (rpm) on the saw blade meets or exceeds the speed (rpm) of the saw.
- Follow steps 1 through 5 under **To Install the Blade**, making sure that the blade will rotate in the proper direction.

Lower Blade Guard



WARNING: The lower blade guard is a safety feature which reduces the risk of serious personal injury. Never use the saw if the lower guard is missing, damaged, misassembled or not working properly. Do not rely on the lower blade guard to protect you under all circumstances. Your safety depends on following all warnings and precautions as well as proper operation of the saw. Check lower guard for proper closing before each use. If the lower blade guard is missing or not working properly, have the saw serviced before using. To assure product safety and reliability, repair, maintenance and adjustment should be performed by an authorized service centre or other qualified service organization, always using identical replacement parts.

Checking the Lower Guard (Fig. A)

- Turn tool off and disconnect from power supply.
- Rotate the lower guard lever (Fig. A, **11**) from the fully closed position to the fully open position.
- Release the lever **11** and observe the guard **9** return to the fully closed position.

The tool should be serviced by a qualified service centre if it:

- fails to return to the fully closed position,
- moves intermittently or slowly, or
- contacts the blade or any part of the tool in all angles and depth of cut.

Depth of Cut Adjustment (Fig. E–G)

- Raise the depth adjustment lever **16** to loosen.
- To obtain the correct depth of cut, align the notch **17** on the depth adjustment strap with the appropriate mark on the upper blade guard **12**.
- Tighten the depth adjustment lever

- For the most efficient cutting action using a carbide tipped saw blade, set the depth adjustment so that about one half of a tooth projects below the surface of the wood to be cut.
- A method of checking for the correct cutting depth is shown in Figure G. Lay a piece of the material you plan to cut along the side of the blade, as shown in the figure, and observe how much tooth projects beyond the material.

Bevel Angle Adjustment (Fig. H)

The bevel angle adjustment mechanism **7** can be adjusted between 0° and 48°.

- Turn the bevel adjustment knob **6** to loosen.
- Tilt the foot plate to the desired angle mark on the pivot bracket **21**.
- Turn the bevel adjustment knob to retighten.

Kerf Indicator (Fig. I)

The front of the saw shoe has a kerf indicator **20** for vertical and bevel cutting. This indicator enables you to guide the saw along cutting lines penciled on the material being cut. The indicator lines up with the left (inner) side of the saw blade, which makes the slot or "kerf" cut by the moving blade fall to the right of the indicator. The notches on the base plate indicate 0° and 45°.

Adjustable Cord Protector (Fig. J)

The adjustable cord protector **22** allows the cord to be positioned vertical or parallel to the blade. It is shipped in the vertical position.

To obtain the parallel position (Fig. J1)

- Press the cord protector **22** in as indicated by the arrow.
- Rotate the cord protector clockwise to the parallel position.

To obtain the vertical position (Fig. J2)

- Press the cord protector **22** in as indicated by the arrow.
- Rotate the cord protector counterclockwise to the vertical position.

Mounting and Adjusting the Parallel Fence (Fig. K)

The parallel fence **23** is used for cutting parallel to the edge of the workpiece.

Mounting

- Insert parallel fence adjustment knob **24** into the hole **27** as shown in Figure K, keeping the knob loose to allow the parallel fence to pass.
- Insert the parallel fence **23** into the base plate **8** as shown in Figure K.
- Tighten the parallel fence adjustment knob **24**.

Adjusting

- Slacken the fence adjustment knob **24** and set the parallel fence **23** to the desired width. The adjustment can be read on the parallel fence scale.
- Tighten the fence adjustment knob **24**.

Mounting the Dust Extraction Spout (Fig. A, E, L)

Your DWE560 circular saw is supplied with a dust extraction spout.

To Install Dust Extraction Spout


1. Fully loosen depth adjustment lever **16** (Fig. E).
2. Place base plate **8** (Fig. A) in the lowest position.
3. Align the two halves of the dust extraction spout **25** over upper blade guard **12** as shown.
4. Insert screws and tighten securely.


Prior to Operation

- Make sure the guards have been mounted correctly. The saw blade guard must be in closed position.
- Make sure the saw blade rotates in the direction of the arrow on the blade.
- Do not use excessively worn saw blades.


OPERATION

Instructions for Use

 **WARNING:** Always observe the safety instructions and applicable regulations.

 **WARNING:** To reduce the risk of serious personal injury, turn tool off and disconnect tool from power source before making any adjustments or removing/installing attachments or accessories. Be sure the trigger switch is in the OFF position. An accidental start-up can cause injury.

Proper Hand Position (Fig. M)

 **WARNING:** To reduce the risk of serious personal injury, ALWAYS use proper hand position as shown.

 **WARNING:** To reduce the risk of serious personal injury, ALWAYS hold securely in anticipation of a sudden reaction.

Proper hand position requires one hand on the main handle **2**, with the other hand on the auxiliary handle **5**.

Switching On and Off (Fig. A)


For safety reasons the trigger switch **1** of your tool is equipped with a lock-off button **13**.

Press the lock-off button to unlock the tool.

To run the tool, press the trigger switch **1**. As soon as the trigger switch is released, the lock-off switch is automatically activated to prevent unintended starting of the machine.

NOTICE: Do not switch the tool ON or OFF when the saw blade touches the workpiece or other materials.

Workpiece Support (Fig. N–Q)

 **WARNING:** To reduce the risk of serious personal injury, support the work properly and hold the saw firmly to prevent loss of control.


Figures N and P show proper sawing position. Figures O and Q show an unsafe condition. Hands should be kept away from

cutting area, and power cord is positioned clear of the cutting area so that it will not get caught or hung up on the work.

To avoid kickback, ALWAYS support board or panel NEAR the cut, (Fig. N and P). DON'T support board or panel away from the cut (Fig. O and Q). When operating the saw, keep the cord away from the cutting area and prevent it from becoming hung up on the work piece.

ALWAYS DISCONNECT SAW BEFORE MAKING ANY ADJUSTMENTS! Place the work with its "good" side—the one on which appearance is most important—down. The saw cuts upward, so any splintering will be on the work face that is up when you saw it.

Cutting

 **WARNING:** Never attempt to use this tool by resting it upside down on a work surface and bringing the material to the tool. Always securely clamp the workpiece and bring the tool to the workpiece, securely holding the tool with two hands as shown in Figure P.

Place the wider portion of the saw foot plate on that part of the work piece which is solidly supported, not on the section that will fall off when the cut is made. As examples, Figure P illustrates the RIGHT way to cut off the end of a board. Always clamp work. Don't try to hold short pieces by hand! Remember to support cantilevered and overhanging material. Use caution when sawing material from below.

Be sure saw is up to full speed before blade contacts material to be cut. Starting saw with blade against material to be cut or pushed forward into kerf can result in kickback. Push the saw forward at a speed which allows the blade to cut without laboring. Hardness and toughness can vary even in the same piece of material, and knotty or damp sections can put a heavy load on the saw. When this happens, push the saw more slowly, but hard enough to keep working without much decrease in speed. Forcing the saw can cause rough cuts, inaccuracy, kickback, and over-heating of the motor. Should your cut begin to go off the line, don't try to force it back on. Release the switch and allow blade to come to a complete stop. Then you can withdraw the saw, sight anew, and start a new cut slightly inside the wrong one. In any event, withdraw the saw if you must shift the cut. Forcing a correction inside the cut can stall the saw and lead to kickback.

IF SAW STALLS, RELEASE THE TRIGGER AND BACK THE SAW UNTIL IT IS LOOSE. BE SURE BLADE IS STRAIGHT IN THE CUT AND CLEAR OF THE CUTTING EDGE BEFORE RESTARTING.

As you finish a cut, release the trigger and allow the blade to stop before lifting the saw from the work. As you lift the saw, the spring-tensioned telescoping guard will automatically close under the blade. Remember the blade is exposed until this occurs. Never reach under the work for any reason. When you have to retract the telescoping guard manually (as is necessary for starting pocket cuts) always use the retracting lever.

NOTE: When cutting thin strips, be careful to ensure that small cutoff pieces don't hang up on inside of lower guard.

Ripping (Fig. K)

Ripping is the process of cutting wider boards into narrower strips – cutting grain lengthwise. Hand guiding is more difficult for this type of sawing and the use of a DEWALT parallel fence **23** (Fig. K) is recommended.

Pocket Cutting (Fig. R)



WARNING: Never tie the blade guard in a raised position. Never move the saw backwards when pocket cutting. This may cause the unit to raise up off the work surface which could cause injury.

A pocket cut is one that is made in a floor, wall or other flat surface.

1. Adjust the saw foot plate so the blade cuts at desired depth.
2. Tilt the saw forward and rest front of the foot plate on material to be cut.
3. Using the lower guard lever, retract lower blade guard to an upward position. Lower rear of foot plate until blade teeth almost touch cutting line.
4. Release the blade guard (its contact with the work will keep it in position to open freely as you start the cut). Remove hand from guard lever and firmly grip auxiliary handle **5**, as shown in Figure R. Position your body and arm to allow you to resist kickback if it occurs.
5. Make sure blade is not in contact with cutting surface before starting saw.
6. Start the motor and gradually lower the saw until its foot plate rests flat on the material to be cut. Advance saw along the cutting line until cut is completed.
7. Release trigger and allow blade to stop completely before withdrawing the blade from the material.
8. When starting each new cut, repeat as above.



Dust Extraction (Fig. S)



WARNING: Risk of dust inhalation. To reduce the risk of personal injury, **ALWAYS** wear an approved dust mask.

A dust extraction spout **25** is supplied with your tool.

Vacuum hoses of most common vacuum extractors will fit directly into the dust extraction spout.



WARNING: **ALWAYS** use a vacuum extractor designed in compliance with the applicable directives regarding dust emission when sawing wood. Vacuum hoses of most common vacuum cleaners will fit directly into the dust extraction outlet.

AirLock Connector System - DWV9000 (Sold Separately) (Fig. S)

AirLock allows for a fast and secure connection between the tools dust extraction spout and the dust extractor.

1. Ensure the collar on the AirLock connector is in the unlock position. Align notches on collar and AirLock connector as shown for unlock and lock positions.
2. Push the AirLock connector onto the dust extraction spout **25**.
3. Rotate the collar to the locked position.

MAINTENANCE

Your DEWALT power tool has been designed to operate over a long period of time with a minimum of maintenance. Continuous satisfactory operation depends upon proper tool care and regular cleaning.



WARNING: To reduce the risk of serious personal injury, turn tool off and disconnect tool from power source before making any adjustments or removing/installing attachments or accessories. Be sure the trigger switch is in the OFF position. An accidental start-up can cause injury.



Lubrication

Self lubricating ball and roller bearings are used in the tool and relubrication is not required. However, it is recommended that, once a year, you take or send the tool to a service centre for a thorough cleaning, inspection and lubrication of the gear case.



Cleaning



WARNING: Blow dirt and dust out of the main housing with dry air as often as dirt is seen collecting in and around the air vents. Wear approved eye protection and approved dust mask when performing this procedure.

Lower Guard

The lower guard should always rotate and close freely from a fully open to fully closed position. Always check for correct operation before cutting by fully opening the guard and letting it close. If the guard closes slowly or not completely it will need cleaning or servicing. Do not use the saw until it functions correctly. To clean the guard, use dry air or a soft brush to remove all accumulated sawdust or debris from the path of the guard and from around the guard spring. Should this not correct the problem, it will need to be serviced by an authorized service centre.



WARNING: Never use solvents or other harsh chemicals for cleaning the non-metallic parts of the tool. These chemicals may weaken the materials used in these parts. Use a cloth dampened only with water and mild soap. Never let any liquid get inside the tool; never immerse any part of the tool into a liquid.

Blades

A dull blade will cause inefficient cutting, overload on the saw motor, excessive splintering and increase the possibility of kickback. Change blades when it is no longer easy to push the saw through the cut, when the motor is straining, or when excessive heat is built up in the blade. It is a good practice to keep extra blades on hand so that sharp blades are available for immediate use. Dull blades can be sharpened in most areas. Hardened gum on the blade can be removed with kerosene, turpentine, or oven cleaner. Anti-stick coated blades can be used in applications where excessive build-up is encountered, such as pressure treated and green lumber.

Optional Accessories



WARNING: *Since accessories, other than those offered by DEWALT, have not been tested with this product, use of such accessories with this tool could be hazardous. To reduce the risk of injury, only DEWALT recommended accessories should be used with this product.*

DO NOT USE WATER FEED ATTACHMENTS WITH THIS SAW.


VISUALLY EXAMINE CARBIDE BLADES BEFORE USE. REPLACE IF DAMAGED.

Consult your dealer for further information on the appropriate accessories.

Protecting the Environment



Separate collection. Products and batteries marked with this symbol must not be disposed of with normal household waste.

 Products and batteries contain materials that can be recovered or recycled reducing the demand for raw materials. Please recycle electrical products and batteries according to local provisions. Further information is available at www.2helpU.com.

SCIE CIRCULAIRE 184 mm

DWE560

Félicitations !

Vous avez choisi un outil DeWALT. Des années d'expertise dans le développement et l'innovation de ses produits ont fait de DeWALT, le partenaire privilégié des utilisateurs professionnels d'outils électriques.

Fiche technique

		DWE560
Tension	V _{AC}	220/240 120
Type		1
Puissance consommée	W	1350
Vitesse à vide	min ⁻¹	5500
Diamètre de lame	mm	184
Profondeur maximum de coupe à		
90°	mm	65
45°	mm	42
Alésage	mm	16
Réglage de l'inclinaison		48°
Poids	kg	3,66

Définitions : consignes de sécurité

Les définitions ci-dessous décrivent le niveau de gravité de chaque mot signalétique. Lisez le manuel de l'utilisateur et soyez attentif à ces symboles.



DANGER : indique une situation dangereuse imminente qui, si elle n'est pas évitée, **entraînera des blessures graves ou mortelles**.



AVERTISSEMENT : indique une situation dangereuse potentielle qui, si elle n'est pas évitée, pourrait entraîner **des blessures graves ou mortelles**.



ATTENTION : indique une situation dangereuse potentielle qui, si elle n'est pas évitée, pourrait entraîner **des blessures minimes ou modérées**.

AVIS : indique une pratique ne **posant aucun risque de dommages corporels**, mais qui par contre, si rien n'est fait pour l'éviter, **pourrait poser des risques de dommages matériels**.



Indique un risque d'électrocution.



Indique un risque d'incendie.



AVERTISSEMENT : afin de réduire le risque de blessure, lisez le manuel d'instruction.

Consignes de sécurité générales propres aux outils électriques



AVERTISSEMENT : lire toutes les directives et consignes de sécurité. Tout manquement aux directives et consignes ci-inclus comporte des risques de décharges électriques, d'incendie et/ou de dommages corporels graves.

CONSERVER TOUTES CES DIRECTIVES ET CONSIGNES À TITRE DE RÉFÉRENCE

Le terme « outil électrique » mentionné dans les avertissements ci-après se rapporte aux outils alimentés sur secteur (avec fil) ou par piles (sans fil).

1) Sécurité – Aire de Travail

- Maintenir l'aire de travail propre et bien éclairée.** Les lieux sombres ou encombrés sont propices aux accidents.
- Ne pas utiliser un outil électrique dans un milieu déflagrant, comme en présence de liquides, gaz ou poussières inflammables.** Les outils électriques peuvent produire des étincelles qui pourraient enflammer toute émanation ou poussière ambiante.
- Maintenir à l'écart les enfants, ou toute autre personne, lors de l'utilisation d'un outil électrique.** Toute distraction pourrait faire perdre la maîtrise de l'appareil.

2) Sécurité – Électricité

- La fiche électrique de l'outil doit correspondre à la prise murale. Ne modifier la fiche en aucune façon. Ne pas utiliser de fiche d'adaptation avec un outil électrique mis à la terre (masse).** L'utilisation de fiches d'origine et de prises appropriées réduira tout risque de décharges électriques.
- Éviter tout contact corporel avec des éléments mis à la terre comme : tuyaux, radiateurs, cuisinières ou réfrigérateurs.** Les risques de décharges électriques augmentent lorsque le corps est mis à la terre.
- Ne pas exposer les outils électriques à la pluie ou à l'humidité.** Tout contact d'un outil électrique avec un liquide augmente les risques de décharges électriques.
- Ne pas utiliser le cordon de façon abusive. Ne jamais utiliser le cordon pour transporter, tirer ou débrancher un outil électrique. Protéger le cordon de toute source de chaleur, de l'huile, et de tout bord tranchant ou pièce mobile.** Les cordons endommagés ou emmêlés augmentent les risques de décharges électriques.
- En cas d'utilisation d'un outil électrique à l'extérieur, utiliser systématiquement une rallonge conçue à cet effet.** Cela diminuera tout risque de décharges électriques.
- Si on ne peut éviter d'utiliser un outil électrique en milieu humide, utiliser un circuit protégé par un**

dispositif de courant résiduel (RCD). Cela réduira tout risque de décharges électriques.

3) Sécurité Individuelle

- a) **Rester systématiquement vigilant et faire preuve de jugement lorsqu'on utilise un outil électrique. Ne pas utiliser d'outil électrique en cas de fatigue ou sous l'influence de drogues, d'alcool ou de médicaments.** Tout moment d'inattention pendant l'utilisation d'un outil électrique comporte des risques de dommages corporels graves.
- b) **Porter un équipement de protection individuel. Porter systématiquement un dispositif de protection oculaire.** Le fait de porter un masque anti-poussières, des chaussures antidérapantes, un casque de sécurité ou un dispositif de protection auditive, lorsque la situation le requiert, réduira les risques de dommages corporels.
- c) **Prévenir tout démarrage accidentel. S'assurer que l'interrupteur est en position d'arrêt avant de brancher l'outil sur le secteur et/ou à la batterie, ou de le ramasser ou le transporter.** Transporter un outil le doigt sur l'interrupteur ou brancher un outil électrique alors que l'interrupteur est en position de marche invite les accidents.
- d) **Retirer toute clé de réglage avant de démarrer l'outil.** Une clé laissée sur une pièce rotative d'un outil électrique comporte des risques de dommages corporels.
- e) **Adopter une position stable. Maintenir les pieds bien ancrés au sol et conserver son équilibre en permanence.** Cela permettra de mieux maîtriser l'outil électrique en cas de situations imprévues.
- f) **Porter des vêtements appropriés. Ne porter aucun vêtement ample ou bijou. Maintenir cheveux, vêtements et gants à l'écart des pièces mobiles, car ils pourraient s'y faire prendre.**
- g) **Lorsqu'un dispositif de connexion à un système de dépoussiérage ou d'élimination est fourni, s'assurer qu'il est branché et utilisé correctement.** L'utilisation de ces dispositifs peut réduire les risques engendrés par les poussières.

4) Utilisation et Entretien des Outils Électriques

- a) **Ne pas forcer un outil électrique. Utiliser l'outil approprié au travail en cours.** L'outil approprié effectuera un meilleur travail, de façon plus sûre et à la vitesse pour laquelle il a été conçu.
- b) **Ne pas utiliser un outil électrique dont l'interrupteur est défectueux.** Tout appareil dont l'interrupteur est défectueux est dangereux et doit être réparé.
- c) **Débrancher la fiche du secteur et/ou la batterie de l'outil électrique avant d'effectuer tout réglage, de changer tout accessoire, ou avant de le ranger.** Ces mesures préventives réduiront tout risque de démarrage accidentel de l'appareil.
- d) **Après utilisation, ranger les outils électriques hors de portée des enfants et ne permettre à aucune**

personne non familière avec son fonctionnement (ou sa notice d'instructions) de l'utiliser. Les outils peuvent être dangereux entre des mains inexpérimentées.

- e) **Entretenir les outils électriques. Vérifier les pièces mobiles pour s'assurer qu'elles sont bien alignées et tournent librement, qu'elles sont en bon état et ne sont affectées d'aucune condition susceptible de nuire au bon fonctionnement de l'outil. En cas de dommage, faire réparer l'outil électrique avant toute nouvelle utilisation.** De nombreux accidents sont causés par des outils mal entretenus.
- f) **Maintenir tout organe de coupe propre et bien affûté.** Les outils de coupe bien entretenus et affûtés sont moins susceptibles de se coincer et sont plus faciles à contrôler.
- g) **Utiliser un outil électrique, ses accessoires, mèches, etc., conformément aux présentes directives et suivant la manière prévue pour ce type particulier d'outil électrique, en tenant compte des conditions de travail et de la tâche à effectuer.** L'utilisation d'un outil électrique à des fins autres que celles prévues est potentiellement dangereuse.

5) Réparation

- a) **Faire entretenir les outils électriques par un réparateur qualifié en n'utilisant que des pièces de rechange identiques.** Cela permettra de préserver l'intégrité de l'outil électrique et la sécurité de l'utilisateur.

CONSIGNES DE SÉCURITÉ ADDITIONNELLES POUR SCIES CIRCULAIRES

Consignes de sécurité pour toutes les scies

- a) **⚠ DANGER : gardez les mains à l'écart de la zone de coupe et de la lame. Placez une main sur la poignée supplémentaire ou sur le boîtier du moteur.** Si vos deux mains tiennent la scie, elles ne risqueront pas d'être coupées par la lame.
- b) **Ne vous placez pas sous la pièce à travailler.** Le protecteur ne peut pas vous protéger de la lame sous la pièce.
- c) **Ajustez la profondeur de coupe en fonction de l'épaisseur de la pièce.** La partie de la lame visible sous la pièce de travail doit être inférieure à une dent de lame complète.
- d) **Ne tenez jamais la pièce à couper dans vos mains ou entre les jambes. Immobilisez la pièce sur une surface de travail stable.** Il est important que la pièce de travail soit correctement soutenue pour minimiser l'exposition du corps, le blocage de la lame ou la perte de contrôle.
- e) **Tenez l'outil électrique par ses surfaces de prise isolées lorsque vous effectuez une tâche au cours de laquelle l'outil de découpage pourrait toucher un câblage non apparent.** En cas de contact avec un câble sous tension, les pièces métalliques à découvert de l'outil électrique électrocutteraient l'utilisateur.

- f) **Pour effectuer un sciage en long, utilisez toujours un garde parallèle ou un guide de coupe rectiligne.** Cela permet une plus grande précision de coupe et réduit les risques de blocage de la lame.
- g) **Utilisez toujours des lames dont l'orifice central est de taille et de forme (diamantée ou ronde) adéquates.** Toute lame non adaptée au dispositif de montage de la scie tournera de manière excentrique, entraînant une perte de contrôle.
- h) **N'utilisez jamais de rondelles ou boulons endommagés ou inadéquats pour fixer la lame.** Les rondelles et le boulon ont été conçus spécialement pour votre scie, afin d'assurer une performance optimale et un travail en toute sécurité.

Causes et prévention du recul

- Le recul est une réaction soudaine de l'outil lorsque la lame est coincée, pincée ou désalignée ce qui a pour effet de soulever la scie, hors de maîtrise, et de la projeter vers l'utilisateur ;
- Lorsque la lame se trouve coincée ou pincée par le trait de scie qui se referme sur elle, elle se bloque et une réaction du moteur entraîne alors l'outil rapidement vers l'utilisateur ;
- Si la lame se tord ou se désaligne par rapport à la ligne de coupe, les dents arrière risquent de s'enfoncer dans la surface du bois et la lame de quitter le trait de scie en reculant brusquement vers l'utilisateur.

Le recul est le résultat d'une mauvaise utilisation de la scie et/ou de procédures ou de conditions d'utilisation incorrectes. On peut l'éviter en prenant des précautions adéquates, comme celles indiquées ci-dessous :

- a) **Tenez fermement la scie à deux mains, et placez votre corps et votre bras de manière à pouvoir résister à la force du recul. Placez votre corps d'un côté ou de l'autre de la lame, jamais dans sa ligne de coupe.** Un recul peut faire sauter la scie vers l'arrière, mais l'utilisateur pourra maîtriser la force exercée par ce choc s'il prend les précautions nécessaires.
- b) **Lorsque la lame se trouve coincée ou lorsque vous interrompez la coupe pour une raison quelconque, libérez la gâchette et maintenez la scie immobile sur la pièce de travail jusqu'à ce que la lame s'arrête complètement. N'essayez jamais de retirer la scie de la pièce ou de faire reculer la scie pendant que la lame tourne, sous peine de provoquer un recul.** Identifiez la cause du blocage de la lame et prenez les mesures correctives pour y remédier.
- c) **Avant de faire redémarrer la scie dans la pièce, centrez la lame dans le trait de scie et assurez-vous que les dents de la lame ne sont pas enfoncées dans le matériau.** Si la lame est coincée, elle risque de remonter ou de reculer brutalement au moment du redémarrage de la scie.
- d) **Les panneaux de grande dimension doivent être soutenus pour minimiser les risques que la lame ne se coince puis recule brutalement.** Les panneaux de grande dimension ont tendance à s'affaisser sous leur

propre poids. Des supports doivent être installés sous le panneau, des deux côtés, près de la ligne de coupe et près du bord du panneau.


- e) **N'utilisez pas de lames émoussées ou endommagées.** Les lames mal affûtées ou mal posées produisent un trait de scie étroit, ce qui entraîne une friction excessive, un blocage de la lame et un recul.
- f) **Avant d'effectuer la coupe, les leviers de verrouillage de la profondeur de coupe et de la coupe en biseau doivent être fermement serrés.** Il y a risque de blocage et recul si les réglages de la lame se modifient pendant la coupe.
- g) **Prenez des précautions supplémentaires lors du sciage dans des murs existants ou dans toute zone à visibilité limitée.** La partie saillante de la lame peut couper des objets susceptibles de provoquer un rebond.

Instructions de sécurité pour les scies dotées d'un carter de protection pendulaire

- a) **Contrôlez avant chaque utilisation la fermeture correcte du carter inférieur de protection. N'utilisez pas la scie si le carter inférieur de protection ne bouge pas librement et ne se ferme pas instantanément. Ne fixez et n'attachez jamais le carter inférieur de protection pour le laisser en position ouverte.** Si, par mégarde, la scie tombe par terre, le carter inférieur de protection risque d'être déformé. Levez le carter de protection avec la poignée rétractable, assurez-vous qu'il peut bouger librement et ne touche ni la lame de scie ni d'autres éléments de l'appareil, quel que soit l'angle ou la profondeur de coupe.
- b) **Contrôlez le bon fonctionnement du ressort du carter inférieur de protection. Si le carter de protection et le ressort ne fonctionnent pas correctement, faites effectuer un entretien de l'appareil avant de l'utiliser.** Des pièces endommagées, restes de colle ou accumulations de débris peuvent ralentir l'actionnement du carter inférieur de protection.
- c) **Ouvrez le carter inférieur de protection manuellement uniquement pour des coupes spéciales, ainsi les « coupes en plongée » ou les « coupes angulaires ».** Ouvrez le carter inférieur de protection en rétractant la poignée et libérez-le dès que la lame de scie est entrée dans la pièce. Pour toutes les autres opérations de sciage, le carter inférieur de protection doit fonctionner automatiquement.
- d) **Ne placez jamais la scie sur l'établi ou au sol si le carter inférieur de protection ne couvre pas la lame de scie. Une lame de scie sans protection et encore en mouvement ramène la scie en arrière, sciant tout sur son passage.** Tenez compte du temps nécessaire à la scie pour ralentir.

Instructions de sécurité additionnelles pour scies circulaires

- **Portez des protections auditives.** L'exposition au bruit peut entraîner une perte auditive.
- **Portez un masque anti-poussière.** Vous risquez d'éprouver des difficultés à respirer et d'être potentiellement blessé en cas d'exposition à des particules de poussière.
- **N'utilisez pas de lames d'un diamètre plus petit ou plus grand que celui recommandé.** Reportez-vous aux données techniques pour obtenir la nomenclature des lames. N'utilisez que les lames spécifiées dans ce mode d'emploi, en conformité avec EN 847-1.
- **N'utilisez jamais de meules de découpage abrasif.**
- **Ne pas utiliser d'accessoires à alimentation en eau.**
- **Utilisez les pinces ou un autre moyen pratique pour fixer et soutenir l'ouvrage sur une plateforme stable.** Tenir l'ouvrage dans vos mains ou contre le corps le rend instable et peut conduire à une perte de contrôle.

 **AVERTISSEMENT :** nous recommandons l'utilisation d'un disjoncteur différentiel avec un seuil de déclenchement de 30mA ou moins.

Risques résiduels

Les risques suivants sont inhérents à l'utilisation des scies circulaires :


- *Dommages corporels par contact avec les pièces rotatives ou des parties brûlantes de l'outil.*

En dépit de l'application des normes de sécurité en vigueur et de l'installation de dispositifs de sécurité, certains risques résiduels sont inévitables. Il s'agit de :

- *Diminution de l'acuité auditive ;*
- *Risques de se pincer les doigts lors du changement d'accessoires ;*
- *Risques pour la santé causés par la respiration de poussières dégagées lors du travail du bois.*

Sécurité électrique

Le moteur électrique a été conçu pour fonctionner sur une tension unique. Vérifier systématiquement que la tension du secteur correspond bien à la tension indiquée sur la plaque signalétique.

 Votre outil DEWALT à double isolation est conforme à la norme EN60745 ; un branchement à la terre n'est donc pas nécessaire.

 **AVERTISSEMENT :** les appareils à 120 V doivent être utilisés avec des transformateurs d'isolation à l'épreuve des pannes doté d'un écran de terre entre l'enroulement primaire et secondaire.

Si le cordon fourni est endommagé, le remplacer par un cordon spécialement conçu à cet effet, et disponible auprès du service après-vente DEWALT.

Remplacement de la fiche d'alimentation (Moyen-Orient et Afrique)

Si une nouvelle fiche d'alimentation doit être montée :

- Mettre soigneusement au rebut l'ancienne fiche.
- Raccorder le fil marron à la borne de phase dans la fiche.
- Raccorder le fil bleu à la borne de neutre.



AVERTISSEMENT : aucun branchement ne doit être fait à la borne de terre.

Suivez les instructions de montage fournies avec des fiches de bonne qualité. Fusible recommandé : 13 A.

Utilisation d'une rallonge

Si une rallonge s'avère nécessaire, utiliser une rallonge à trois fils homologuée et compatible avec la tension nominale de cet outil (consulter la **Fiche techniques**). La section minimale du conducteur est de 1,5 mm² pour une longueur maximale de 30 m.

En cas d'utilisation d'un dévidoir, dérouler systématiquement le câble sur toute sa longueur.

Contenu de l'emballage

Ce carton comprend :

- 1 Scie circulaire 184 mm
 - 1 Lame de scie circulaire
 - 1 Clé de réglage de la lame
 - 1 Guide parallèle
 - 1 Embout d'aspiration de poussières
 - 1 Notice d'instructions
- *Vérifier que l'appareil et ses pièces ou accessoires n'ont pas été endommagés lors du transport.*
 - *Prendre le temps de lire attentivement et comprendre cette notice d'instructions avant toute utilisation de l'appareil.*

Étiquettes sur l'appareil

On trouve les diagrammes suivants sur l'outil :



Lire la notice d'instructions avant toute utilisation.



Porter un dispositif de protection auditive.



Porter un dispositif de protection oculaire.

Emplacement de la Date Codée de Fabrication (Fig. A)

La date codée de fabrication **26**, qui comprend aussi l'année de fabrication, est imprimée sur le boîtier.

Exemple :

2019 XX XX

Année de fabrication

Description (Fig. A)



AVERTISSEMENT : ne jamais modifier l'outil électrique ni aucun de ses composants. Il y a risques de dommages corporels ou matériels.

- 1 Interrupteur à gâchette
- 2 Poignée principale
- 3 Verrou de lame
- 4 Capuchon d'extrémité

FRANÇAIS

- 5 Poignée auxiliaire
- 6 Bouton de réglage de l'inclinaison
- 7 Mécanisme de réglage de l'angle d'inclinaison
- 8 Plaque de base
- 9 Carter de protection de lame inférieur
- 10 Vis de serrage de lame
- 11 Levier du carter de protection inférieur
- 12 Carter de protection de lame supérieur
- 13 Bouton de déblocage

Utilisation Prévue

Ces scies circulaires industrielles sont conçues pour les applications professionnelles de découpe du bois. **NE PAS** utiliser les accessoires à eau avec cette scie. **NE PAS** utiliser de disques ou lames abrasifs.

NE PAS les utiliser en milieu humide ou en présence de gaz ou de liquides inflammables.

Ces scies industrielles sont des outils électriques de professionnels.

NE PAS les laisser à la portée des enfants. Une supervision est nécessaire auprès de tout utilisateur non expérimenté.

- Ce produit n'est pas prévu pour être utilisé par des personnes (y compris les enfants) dont les capacités physiques, sensorielles ou mentales sont réduites ou qui manquent d'expérience ou d'aptitudes, sauf si ces personnes sont surveillées par une autre personne responsable de leur sécurité. Ne jamais laisser les enfants seuls avec ce produit.

MONTAGE ET RÉGLAGES



AVERTISSEMENT : pour réduire tout risque de dommages corporels graves, arrêter et débrancher l'outil avant tout réglage ou avant de retirer ou installer toute pièce ou tout accessoire. S'assurer que la gâchette est bien en position d'ARRÊT. Tout démarrage accidentel pourrait causer des dommages corporels.

Remplacement des lames

Installer la lame (Fig. A–D)

1. À l'aide du levier du carter de protection inférieur **11**, rentrer le carter de protection de lame inférieur **9** et placer la lame sur l'arbre de la scie contre la rondelle de serrage interne **15**, en s'assurant que la lame tourne dans la direction de correcte (la flèche de direction de rotation sur la lame de scie et les dents doivent être dirigées dans la même direction que celle de la flèche de direction de rotation sur la scie). Ne pas supposer que l'inscription sur la lame est toujours face à vous pour obtenir une installation correcte. Lorsque le carter de protection de lame inférieur est rentré pour installer la lame, vérifier l'état et le fonctionnement du carter de protection de lame inférieur pour s'assurer qu'il fonctionne correctement. Assurez-vous qu'il peut bouger librement et ne touche ni la lame de scie ni d'autres éléments de l'appareil, quel que soit l'angle ou la profondeur de coupe.

2. Placez la rondelle de serrage externe **14** sur l'arbre de la scie avec la grande surface plate contre la lame et l'inscription de la rondelle de serrage externe tournée vers vous.
3. Vissez à la main la vis de serrage de la lame **10** sur l'arbre de la scie (la vis possède un filetage à droite et doit être tournée dans le sens des aiguilles d'une montre pour le serrage).
4. Appuyez sur le verrou de lame **3** pendant que vous tournez l'arbre de la scie avec la clé de lame, jusqu'à ce que le verrou de lame s'engage et que la lame cesse de tourner.
5. Serrer la vis de serrage de la lame au moyen de la clé de lame.

REMARQUE : n'engagez jamais le verrou de lame lorsque la scie fonctionne ou dans le but d'arrêter l'outil. Ne mettez jamais la scie en marche lorsque le verrou de lame est engagé. De graves dégâts pourraient se produire sur la scie.

Remplacer la lame (Fig. B–D)

1. Pour desserrer la vis de serrage de la lame **10**, appuyez sur le verrou de lame **3** et tournez l'arbre de la scie avec la clé de lame **19**, jusqu'à ce que le verrou de lame s'engage et que la lame cesse de tourner. Une fois le verrou de lame engagé, tournez la vis de serrage de la lame dans le sens inverse des aiguilles d'une montre avec la clé de lame (la vis possède un filetage à droite et doit être tournée dans le sens inverse des aiguilles d'une montre pour le desserrage).
2. Retirez la vis de serrage de la lame **10** et la rondelle de serrage externe **14**. Retirez l'ancienne lame.
3. Nettoyez la sciure qui pourrait être accumulée dans le carter de protection ou la zone de la rondelle de serrage et vérifiez l'état et le fonctionnement du carter protection de lame inférieur comme indiqué auparavant. Ne lubrifiez pas cette zone.
4. Utilisez toujours des lames ayant une taille (diamètre) correcte avec un alésage centrale ayant une taille et une forme correctes pour le montage sur l'arbre de la scie. Assurez-vous toujours que la vitesse maximum recommandée (tr/min) sur la lame de scie correspond ou dépasse la vitesse (tr/min) de la scie.
5. Suivez les étapes 1–5 dans la section **Pour monter la lame**, en faisant attention au sens de rotation de la lame.

Carter de protection de lame inférieur



AVERTISSEMENT : le carter de protection de lame inférieur est un dispositif de sécurité qui réduit le risque de graves blessures. N'utilisez jamais la scie si le carter de protection de lame inférieure est absent, endommagé, mal monté ou s'il ne fonctionne pas correctement. Ne vous fiez pas au carter de protection de lame inférieur pour vous protéger dans toutes les circonstances. Votre sécurité dépend du respect de tous les avertissements et des précautions, ainsi que de l'utilisation correcte de la scie. Vérifiez que le carter de protection inférieur se referme correctement avant chaque utilisation. Si le carter de protection de lame inférieur est absent ou ne fonctionne pas correctement, faites d'abord réparer la scie. Pour assurer la sécurité et la fiabilité du produit, les réparations, l'entretien et les réglages doivent être effectués par

un centre de service agréé ou une autre organisation de service qualifiée en utilisant toujours des pièces de rechange identiques.

Contrôle du carter de protection inférieur (Fig. A)

1. Arrêter l'outil et le débrancher de l'alimentation.
2. Faites pivoter le levier du carter de protection inférieur **11** (Fig. A) de la position complètement fermé à la position complètement ouvert.
3. Relâchez le levier **11** et observez le carter de protection **9** revenir à la position complètement fermé.

L'outil doit être révisé par un centre de service qualifié si :

- il ne revient pas à la position complètement fermé,
- se déplace de manière intermittente ou lente, ou
- s'il touche la lame ou toute autre partie de l'outil, quel que soit l'angle ou la profondeur de coupe.

Réglage de la profondeur de coupe (Fig. E–G)

1. Soulevez le levier de réglage de la profondeur **16** pour desserrer.
2. Pour obtenir la profondeur de coupe correcte, alignez l'encoche **17** sur la bande de réglage de profondeur avec le repère approprié sur le carter de protection de lame supérieur **12**.
3. Serrez le levier de réglage de la profondeur.
4. Pour obtenir une coupe la plus efficace au moyen d'une lame de scie à pointe au carbure, réglez la profondeur de coupe de sorte que la moitié d'une dent dépasse au-dessous de la surface du bois à couper.
5. Une méthode de contrôle de la profondeur de coupe correcte est illustrée sur la Figure G. Posez un morceau du matériau que vous prévoyez de couper le long du côté de la lame, comme illustré sur la figure, et observez de combien dépasse la dent au-dessous du matériau.

Réglage de l'angle d'inclinaison (Fig. H)

Le mécanisme de réglage de l'angle d'inclinaison **7** peut être ajusté entre 0° et 48°.

1. Tournez le bouton de réglage d'inclinaison **6** pour le desserrer.
2. Inclinez la semelle jusqu'au repère d'angle désiré sur le support du pivot **21**.
3. Tournez le bouton de réglage d'inclinaison pour resserrer.

Indicateur de fente (Fig. I)

L'avant de la semelle de la scie possède un indicateur de fente **20** pour la coupe verticale et inclinée. L'indicateur vous permet de guider la scie le long des lignes de coupes tracées sur le matériau à couper. L'indicateur s'aligne avec le côté gauche (interne) de la lame de scie, ce qui fait que la fente coupée par la lame en mouvement se retrouve à droite de l'indicateur. Les encoches sur la plaque de base indiquent 0° et 45°.

Protecteur de cordon ajustable (Fig. J)

Le protecteur de cordon ajustable **22** permet de positionner le cordon à la verticale ou parallèle à la lame. Il est libéré en position verticale.

Pour passer en position parallèle (Fig. J1)

1. Appuyez sur le protecteur de cordon **22** comme indiqué par la flèche.
2. Faites pivoter le protecteur de cordon dans le sens des aiguilles d'une montre jusqu'en position parallèle.

Pour passer en position verticale (Fig. J2)

1. Appuyez sur le protecteur de cordon **22** comme indiqué par la flèche.
2. Faites pivoter le protecteur de cordon dans le sens inverse des aiguilles d'une montre jusqu'en position verticale.

Montage et réglage du guide parallèle (Fig. K)

Le guide parallèle **23** permet d'effectuer une coupe parallèle au bord de la pièce.

Montage

1. Insérez le bouton de réglage du guide parallèle **24** dans le trou **27** comme illustré sur la Figure K, en tenant le bouton desserré pour permettre le passage du guide parallèle.
2. Insérez le guide parallèle **23** dans la plaque de base **8** comme illustré sur la Figure K.
3. Resserrez le bouton de réglage du guide parallèle **24**.

Réglage

1. Desserrez le bouton de réglage du guide **24** et réglez le guide parallèle **23** à la largeur désirée. L'ajustement peut être lu sur l'échelle du guide parallèle.
2. Resserrez le bouton de réglage du guide **24**.

Montage de l'embout d'aspiration des poussières (Fig. A, E, L)

Votre scie circulaire DWE560 est fournie avec un embout d'aspiration des poussières.

Pour installer l'embout d'aspiration des poussières

1. Desserrez complètement le levier d'ajustement de la profondeur **16** (Fig. E).
2. Placez la plaque de base **8** (Fig. A) dans la position la plus basse.
3. Alignez les deux moitiés de l'embout d'aspiration des poussières **25** sur le carter de protection de lame supérieur **12** comme illustré.
4. Introduisez les vis et serrez fermement.

Avant la mise en marche

- Vérifier le montage des protecteurs. Le protecteur de lame doit être fermé.
- Vérifier le sens de rotation de la lame de scie.
- Ne pas utiliser de lames de scie trop usées.

FONCTIONNEMENT

Consignes d'utilisation



AVERTISSEMENT : respecter systématiquement les consignes de sécurité et les normes en vigueur.



AVERTISSEMENT : pour réduire tout risque de dommages corporels graves, arrêter et débrancher l'outil avant tout réglage ou avant de retirer ou installer toute pièce ou tout accessoire. S'assurer que la gâchette est bien en position d'ARRÊT. Tout démarrage accidentel pourrait causer des dommages corporels.

Position correcte des mains (Fig. M)



AVERTISSEMENT : pour réduire tout risque de dommages corporels graves, adopter **SYSTÉMATIQUEMENT** la position des mains illustrée.



AVERTISSEMENT : pour réduire tout risque de dommages corporels graves, maintenir fermement et **SYSTÉMATIQUEMENT** l'outil pour anticiper toute réaction soudaine de sa part.

La position correcte des mains nécessite une main sur la poignée principale 2 et l'autre main sur la poignée auxiliaire 5.

Mise en marche et arrêt de l'appareil (Fig. A)

Pour des raisons de sécurité, la gâchette 1 de votre outil a été équipé d'un bouton de déblocage 13.

Appuyer sur le bouton de déblocage de l'interrupteur pour débloquer l'outil.

Appuyez sur la gâchette 1 pour mettre l'outil en marche. Dès que la gâchette est relâchée, l'interrupteur de blocage sera automatiquement activé pour éviter une mise en marche par inadvertance.

AVIS : ne manipulez pas l'interrupteur marche/arrêt si la lame de scie est en contact avec la pièce ou d'autres matériaux.

Soutien de l'ouvrage (Fig. N-Q)



AVERTISSEMENT : pour réduire le risque de blessures graves, soutenez l'ouvrage correctement et tenez la scie fermement pour éviter la perte de contrôle.

Les Figures N et P illustrent la position de sciage correcte. Les Figures O et Q illustrent une condition de danger. Les mains doivent être tenues loin de la zone de coupe et le cordon d'alimentation doit être positionné hors de la zone de coupe pour éviter qu'il ne soit happé ou coincé dans l'ouvrage.

Pour éviter les rebonds, soutenez TOUJOURS les planches ou les panneaux PROCHE de la coupe (Fig. N et P). NE soutenez PAS les planches ou les panneaux loin de la coupe (Fig. O et Q). Lors de l'utilisation de la scie, maintenez le cordon éloigné de la zone de coupe et empêchez-le de s'accrocher à l'ouvrage.

DÉBRANCHEZ TOUJOURS LA SCIE AVANT D'EFFECTUER TOUT RÉGLAGE ! Placez l'ouvrage avec le côté dont l'aspect est le plus important tourné vers le bas. La scie coupe vers le haut, aussi tous les éventuels éclats se trouveront sur la face de l'ouvrage tournée vers le haut pendant la coupe.

Coupe



AVERTISSEMENT : ne tentez jamais d'utiliser cet outil en le posant à l'envers sur une surface de travail et en faisant passer le matériau sur l'outil. Serrez toujours solidement l'ouvrage et portez l'outil sur l'ouvrage en tenant fermement l'outil des deux mains, comme illustré sur la Figure P.

Placez la portion la plus large de la semelle de la scie sur la partie de l'ouvrage qui est solidement soutenue, et non pas sur la section qui tombera après la coupe. À titre d'exemple, la Figure P illustre la manière CORRECTE d'effectuer la coupe de l'extrémité d'une planche. Serrez toujours l'ouvrage. N'essayez pas de soutenir les petites pièces à la main ! Soutenez-vous de soutenir le matériel en porte-à-faux et en surplomb. Faites attention lors de la coupe de matériau depuis le dessous.

Assurez-vous que la scie est à plein régime avant que la lame ne touche le matériau à couper. Le démarrage de la scie contre le matériau à couper ou poussée en avant dans la fente peut entraîner un rebond. Poussez la scie vers l'avant à une vitesse permettant à la lame de couper sans forcer. La dureté et la rigidité peuvent varier même au sein d'une même pièce et les sections noueuse ou humides peuvent créer une forte charge sur la scie. Lorsque cela se produit, poussez la scie plus lentement, mais suffisamment pour la faire fonctionner sans diminuer trop le régime. Si vous forcez la scie, cela peut causer des coupes irrégulières, imprécises, des rebonds et la surchauffe du moteur. Si la coupe commence à quitter la ligne, ne tentez pas de forcer le retour sur la ligne. Relâchez l'interrupteur et laissez la lame s'immobiliser totalement. Vous pouvez ensuite retirer la scie, visez à nouveau et démarrer une nouvelle coupe légèrement à l'intérieur de la mauvaise coupe. Dans tous les cas, retirez la scie si vous devez décaler la coupe. Forcer la correction à l'intérieur d'une coupe peut faire caler la scie et causer un rebond.

SI LA SCIE CALE, RELÂCHEZ LA GÂCHETTE ET RECULEZ LA SCIE JUSQU'À CE QU'ELLE SOIT LIBRE. ASSUREZ-VOUS QUE LA LAME EST DROITE DANS LA COUPE ET DÉGAGÉE DU BORD DE COUPE AVANT DE REDÉMARRER.

Lorsque la coupe est terminée, relâcher la gâchette et laisser la lame s'immobiliser avant de soulever la scie de l'ouvrage. Lorsque la scie est soulevée, le carter de protection télescopique à ressort se referme automatiquement sous la lame. Souvenez-vous que la lame est exposée jusqu'à ce moment. Ne mettez jamais les mains sous la pièce, quel que soit le motif. Lorsque vous devez rentrer le carter de protection télescopique manuellement (comme cela est nécessaire pour les coupes de poches), utilisez toujours le levier de retrait.

REMARQUE : Lors de la coupe de bandes, faites attention à vous assurer que les petites pièces découpées n'accrochent pas à l'intérieur du carter de protection inférieure.

Coupe longitudinale (Fig. K)

La coupe longitudinale est une opération consistant à couper des planches larges en bandes plus étroites en les coupant dans le sens de la longueur. Le guidage manuel est plus difficile pour ce type de sciage et l'utilisation d'un guide parallèle DEWALT 23 (Fig. K) est recommandée.

Coupe de poches (Fig. R)



AVERTISSEMENT : n'attachez jamais le carter de protection de la lame en position soulevée. Ne déplacez jamais la scie vers l'arrière lors de la coupe de poches. Cela peut entraîner un soulèvement de l'appareil hors de la surface de travail, qui pourrait causer des blessures.

Une coupe de poche est une coupe réalisée dans un sol, un mur ou toute autre surface plane.

1. Ajustez la semelle de la scie de sortie de la lame coupe à la profondeur désirée.
2. Inclinez la scie vers l'avant et reposez l'avant de la semelle sur le matériau à couper.
3. À l'aide du levier du carter de protection inférieur, rentrez le carter de protection de lame inférieur jusqu'à une position vers le haut. Abaissez l'arrière de la semelle jusqu'à ce que les dents de la lames touchent presque la ligne de coupe.
4. Relâchez le carter de protection de la lame (il touchera alors l'ouvrage et se maintiendra ainsi en position pour s'ouvrir librement lorsque vous démarrerez la coupe). Retirez votre main du levier du carter de protection et saisissez fermement la poignée auxiliaire **5**, comme illustré sur la Figure R. Positionnez votre corps et vos bras de manière à résister à un éventuel rebond.
5. Assurez-vous que la lame ne touche pas la surface à couper avant de démarrer la scie.
6. Démarrez le moteur et abaissez graduellement la scie jusqu'à ce que sa semelle repose à plat sur le matériau à couper. Faites avancer la scie le long de la ligne de coupe jusqu'à ce que la coupe soit terminée.
7. Relâchez la gâchette et laissez la lame s'immobiliser complètement avant de retirer la lame du matériau.
8. Lorsque vous commencez chaque nouvelle coupe, répétez les opérations ci-dessus.



Aspiration des poussières (Fig. S)



AVERTISSEMENT : risque d'inhalation de poussière. Pour réduire le risque de blessures, portez **TOUJOURS** un masque antipoussière approuvé.

Un embout d'aspiration des poussières **25** est fourni avec votre outil.

La plupart des embouts d'aspirateurs s'adaptent directement sur l'embout d'aspiration des poussières.



AVERTISSEMENT : raccordez **TOUJOURS** un aspirateur conçu conformément aux directives applicables relatives à l'émission de poussière lors du sciage du bois. La plupart des embouts d'aspirateurs s'adaptent directement sur l'orifice d'aspiration des poussières.

Système de connecteur AirLock - DWV9000 (vendu à part) (Fig. S)

AirLock permet une connexion rapide et sûre entre l'orifice d'extraction des poussières de l'outil et l'aspirateur de poussières.

1. Assurez-vous que le collier sur le connecteur AirLock se trouve en position débloquée. Alignez les encoches sur le collier et le connecteur AirLock comme illustré pour les positions de déblocage et de blocage.
2. Poussez le connecteur AirLock sur l'embout d'aspiration des poussières **25**.
3. Faites tourner le collier en position bloquée.

MAINTENANCE

Votre outil électrique DeWALT a été conçu pour fonctionner longtemps avec un minimum de maintenance. Le fonctionnement continu et satisfaisant de l'outil dépendra d'une maintenance adéquate et d'un nettoyage régulier.



AVERTISSEMENT : pour réduire tout risque de dommages corporels graves, arrêter et débrancher l'outil avant tout réglage ou avant de retirer ou installer toute pièce ou tout accessoire. S'assurer que la gâchette est bien en position d'ARRÊT. Tout démarrage accidentel pourrait causer des dommages corporels.



Lubrification

Des roulements à billes et paliers lubrifiés à vie sont utilisés dans l'outil et aucune autre lubrification n'est nécessaire. Toutefois, il est recommandé d'apporter ou d'expédier l'outil une fois par an dans un centre de service pour un nettoyage approfondi, une inspection et une lubrification du carter d'engrenages.



Entretien



AVERTISSEMENT : éliminer poussière et saleté du boîtier principal à l'aide d'air comprimé chaque fois que les orifices d'aération semblent s'encrasser. Porter systématiquement des lunettes de protection et un masque anti-poussières homologués au cours de cette procédure.

Carter de protection inférieur

Le carter de protection inférieur doit toujours pivoter et se refermer librement entre la position complètement ouvert et la position complètement fermé. Vérifiez toujours qu'il fonctionne correctement avant la coupe, en ouvrant complètement le carter de protection et en le laissant se refermer. Si le carter de protection se referme lentement ou de manière incomplète, il doit être nettoyé ou révisé. N'utilisez pas la scie tant qu'il ne fonctionne pas correctement. Pour nettoyer le carter de protection, utilisez de l'air sec ou une brosse souple pour éliminer la sciure et les débris accumulés dans le parcours du carter de protection et autour du ressort du carter de protection. Si cela ne résout pas le problème, il devra être révisé par un centre de service agréé.



AVERTISSEMENT : ne jamais utiliser de solvants ou tout autre produit chimique décapant pour nettoyer les parties non métalliques de l'outil. Ces produits chimiques pourraient en attaquer les matériaux utilisés. Utiliser un chiffon humidifié avec de l'eau et un savon doux. Protéger l'outil de tout liquide et n'immerger aucune de ses pièces dans aucun liquide.

Lames

Une lame émoussée entraînera une mauvaise coupe, une surcharge du moteur de la scie, un excès d'éclats et augmentera la probabilité d'un rebond. Remplacez les lames lorsqu'il devient difficile de pousser la scie dans la coupe, lorsque le moteur force ou lorsqu'une chaleur excessif s'accumule dans la lame. Il est recommandé de conserver des lames de rechange à portée de main de sorte que des lames affûtées soit immédiatement disponibles en cas de besoin. Les lames émoussées peuvent être affûtées dans la plupart des régions.

Le caoutchouc durci sur la lame peut être éliminé avec du kérosène, de la térébenthine ou un produit de nettoyage pour four. Les lames à revêtement antiadhérent peuvent être utilisées dans les applications impliquant des accumulations excessives, comme les pièces pressées ou le bois vert.

Accessoires en option



AVERTISSEMENT : comme les accessoires autres que ceux offerts par DEWALT n'ont pas été testés avec ce produit, leur utilisation avec cet appareil pourrait être dangereuse. Pour réduire tout risque de dommages corporels, seuls des accessoires DEWALT recommandés doivent être utilisés avec cet appareil.

NE PAS UTILISER LES ACCESSOIRES À EAU AVEC CETTE SCIE.

EFFECTUEZ UN EXAMEN VISUEL DES LAMES AU CARBURE AVANT L'UTILISATION. REMPLACEZ-LES SI ELLES SONT ENDOMMAGÉES.

Veuillez consulter votre revendeur pour plus d'informations sur les accessoires appropriés.

Protection de l'environnement



Tri sélectif. Les produits et batteries marqués de ce symbole ne doivent pas être jetés avec les déchets ménagers.

Les produits et batteries contiennent des matières qui peuvent être récupérées et recyclées afin de réduire la demande en matières premières. Veuillez recycler les produits électriques et les batteries conformément aux dispositions locales en vigueur. Pour plus d'informations, consultez le site www.2helpU.com.

منشار دائري 481 مم

DWE560

تهانينا!


لقد اخترت أداة DEWALT. سنوات الخبرة التي تمتد خلالها عمليات تطوير المنتجات وابتكارها تجعل DEWALT من أكثر الشركاء الذين يمكن الاعتماد عليهم بالنسبة لمستخدمي الأدوات الآلية المحترفين.


البيانات الفنية


DWE560		الجهد الكهربائي
240-220	فولت بيار متعدد	
120		
1		النوع
1350	وات	دخل الطاقة
5500	دقيقة ¹	سرعة اللاحمل
184	مم	قطر الشفرة
90°	مم	أقصى عمق للقطع عند
45°	مم	
16	مم	قطر الشفرة
48°		ضبط زاوية التجليف
3,66	كجم	الوزن


التعريفات: تعليمات الأمان


تصف التعريفات التالية مستوى أهمية كل كلمة تحذيرية، يرجى قراءة الدليل والانتباه لتلك الرموز.

 **خطر:** تشير هذه الكلمة إلى وجود حالة خطر وشيكة، وإذا لم يتم تفاديها، فقد تؤدي إلى الوفاة أو الإصابة الجسيمة.


 **تحذير:** تشير هذه الكلمة إلى وجود حالة خطر محتملة، وإذا لم يتم تفاديها، فقد تؤدي إلى الوفاة أو الإصابة الجسيمة.

 **تنبيه:** تشير هذه الكلمة إلى وجود حالة خطر محتملة، وإذا لم يتم تفاديها، فقد تؤدي إلى حدوث إصابة بسيطة أو متوسطة.


 **ملاحظة:** تشير إلى ممارسة غير متعلقة بإصابة شخصية، إذا لم يتم تفاديها، فقد تؤدي إلى ضرر الممتلكات.

 تشير إلى خطر حدوث صدمة كهربائية.

 تشير إلى خطر نشوب حريق.

 **تحذير:** لتقليل خطر حدوث الإصابات، يرجى قراءة دليل التعليمات.

تحذيرات الأمان العامة للأدوات الكهربائية

 **تحذير:** اقرأ جميع تحذيرات الأمان والتعليمات والإيضاحات والمواصفات الواردة مع هذه الأداة الكهربائية. إذ قد يؤدي عدم اتباع جميع الإرشادات إلى حدوث صدمة كهربائية وأو نشوب حريق وأو وقوع إصابة جسيمة.

احتفظ بجميع التحذيرات والتعليمات من أجل الرجوع إليها في المستقبل

يشير المصطلح «أداة كهربائية» في التحذيرات إلى الأداة الكهربائية التي تعمل بالطاقة الكهربائية (مزودة بسلك كهربائي) أو الأداة الكهربائية التي تعمل بالبطارية (غير مزودة بسلك كهربائي).

1) أمان منطقة العمل

- أ) احتفظ بمنطقة العمل نظيفة ومضاءة بطريقة جيدة، حيث أن المناطق الممتددة بغير نظام أو المظلمة تؤدي إلى وقوع الحوادث.
- ب) لا تقم بتشغيل الأدوات الكهربائية في الأجواء المتفجرة، كأن يوجد بالمكان سوائل أو غازات أو غبار قابل للاشتعال، قد تؤدي الأدوات الكهربائية التي تحدث شرارات في اشتعال الأتربة أو الأبخرة.
- ج) أبق على الأطفال والأشخاص المشاهدين بعيداً أثناء تشغيل الأداة الكهربائية. فقد يؤدي تشتت الانتباه إلى فقدان سيطرتك.

2) السلامة الكهربائية

- أ) يجب أن يتوافق قابس الأداة الكهربائية مع مصدر التيار الكهربائي، لا تقم مطلقاً بإجراء تعديل على القابس بأي طريقة، لا تستخدم قابس المحول مع الأدوات الكهربائية المؤرضة لمر تأريضها، حيث ستقلل المقابس غير المعدلة ومصادر التيار الكهربائي المتطابقة من خطر حدوث صدمة كهربائية.
- ب) تجنب ملامسة الجسم مع الأسطح الأرضية أو المؤرضة كالألابيب والمشعاع والموقد والثلاجات، حيث يوجد خطر متزايد من حدوث صدمة كهربائية إذا كان جسدك مؤرضاً أو ثابتاً على الأرض.
- ج) لا تعرض الأدوات الكهربائية للمطر أو البلل، إذ سيؤدي الماء الذي يدخل الأداة الكهربائية إلى زيادة خطر حدوث صدمة كهربائية.
- د) لا تستخدم الكابل بطريقة خاطئة، لا تستخدم مطلقاً السلك من أجل حمل الأشياء أو سحبها أو لنزع قابس الأداة الكهربائية، أبعد السلك عن الحرارة أو الزيوت أو الحواف الحادة أو الأجزاء المتحركة، إذ تزيد الأسلاك النالفة إلى المتشابكة من خطر حدوث صدمة كهربائية.
- هـ) عند تشغيل الأداة الكهربائية خارج المنزل، استخدم سلك استطالة ملائم للاستخدام في الأماكن الخارجية، حيث إن استخدام السلك الملائم للاستخدام الخارجي يقلل من خطر حدوث الصدمة الكهربائية.
- و) إذا لم يكن هناك مفر من تشغيل الأداة الكهربائية في أحد الأماكن الرطبة، فاستخدم مصدر إمداد محمي بجهاز قاطع الدورة (RCD)، استخدم جهاز التيار المتبقي يقلل من حدوث الصدمة الكهربائية.

3) السلامة الشخصية

- أ) ابق حذراً وراقب ما تقوم بفعله واستعن بالحواس العامة عند تشغيل الأداة الكهربائية، لا تستخدم الأداة الكهربائية عندما تكون متعباً أو تحت تأثير المخدرات أو الكحول أو الأدوية، قد تؤدي أي لحظة من السهو أثناء تشغيل الأدوات الكهربائية إلى حدوث إصابة جسدية جسيمة.
- ب) استخدم معدات الوقاية الشخصية، قمر دوماً بارتداء واقي العينين، إذ أن استخدام معدات الوقاية مثل كمامات الأتربة، وأحذية الأمان المانعة للانزلاق، والخوذة الصلبة، أو واقي الأذن للحالات ذات الصلة سيقلل من الإصابات الشخصية.
- ج) تجنب التشغيل العرضي، تأكد من أن المفتاح في وضع إيقاف التشغيل قبل التوصيل بمصدر الطاقة، و/ أو مجموعة البطارية، أو التقاط أو حمل الأداة، حيث قد يؤدي حمل الأدوات الكهربائية أثناء وجود أصبعك على المفتاح أو إمداد الأدوات الكهربائية التي يكون مفتاحها بوضوح التشغيل بالكهرباء إلى وقوع الحوادث.
- د) قمر بإخراج أي مفتاح ضبط أو مفتاح ربط قبل تشغيل الأداة الكهربائية، فقد يؤدي ترك مفتاح الربط أو المفتاح بالجزء الدوار بالأداة الكهربائية إلى حدوث إصابة شخصية.
- هـ) تجنب مد يدك بعيداً بالجهاز، حافظ على ثبات موضع قدمك والتوازن طيلة الوقت، إذ يساعدك ذلك على التحكم بشكل أفضل في الأداة الكهربائية في المواقف الفجائية.

- و) ارتد ملابس مناسبة. تجنب ارتداء ملابس أو مجوهرات فضفاضة. أبعاد الشعر والملابس والقفازان عن الأجزاء المتحركة. فقد تحترق الملابس أو المجوهرات الفضفاضة أو الشعر الطويل في الأجزاء المتحركة.
- ز) في حال توفير الأجهزة للتوصيل بوسائل استخلاص وتجميع الأتربة، فتأكد من توصيلها واستخدامها بطريقة صحيحة. حيث أن تجميع الأتربة قد يؤدي إلى تقليل المخاطر المتعلقة بالأتربة.
- ح) لاستخدام البراغى أو حلقات منع التسرب التالفة أو غير السليمة في الشفارات، فالبراغى وحلقات منع التسرب مصممة خصيصاً للمنتشار الخاص بك، للحصول على الأداء الأمثل وسلامة التشغيل.
- 4) استخدام الأداة الكهربائية والعناية بها

أ) لا تتعامل بالقوة مع الأداة الكهربائية. استخدم الأداة الكهربائية الملائمة لغرض الاستخدام الخاص بك. حيث ستجذب الأداة الكهربائية الملائمة المهمة بشكل أفضل وأكثر أماناً عند المعدل الذي صممت من أجله.

ب) لا تستخدم الأداة الكهربائية إذا كان المفتاح لا يقوم بالتشغيل وإيقاف التشغيل، حيث تشكل أي أداة كهربائية لا يمكن التحكم فيها بواسطة المفتاح خطورة ويجب إصلاحها.

ج) قم بفصل القابس من مصدر الطاقة و/ أو مجموعة البطارية، إذا كانت قابلة للفصل، من الأداة الكهربائية قبل إجراء أي عمليات ضبط أو تغيير ملحقات أو تخزين الأدوات الكهربائية. نقل إجراءات السلامة الوقائية هذه من خطر تشغيل الأداة الكهربائية بشكل فجائي.

د) قم بتخزين الأدوات الكهربائية المتوقفة عن العمل بعيداً عن متناول الأطفال ولا تدع الأشخاص غير الملمين بالأداة الكهربائية أو بهذه التعليمات يقومون بتشغيل الأداة الكهربائية. إذ تعد الأدوات الكهربائية مصدر خطورة في أيدي المستخدمين غير المدربين على استخدامها.

هـ) حافظ على الأدوات الكهربائية والملحقات، افحص للنحري عن أي محاذة غير صحيحة أو تقييد للأجزاء المتحركة، أو كسر للأجزاء وأي حالات أخرى قد تؤثر على تشغيل الأداة الكهربائية. وفي حال وجود تلف، قم بإصلاح الأداة الكهربائية قبل الاستخدام. حيث يرجع سبب وقوع العديد من الحوادث إلى الصيانة السيئة للأدوات الكهربائية.

و) حافظ على أدوات القطع في حالة حادة ونظيفة. حيث أن أدوات القطع التي تهر صيانتها بطريقة صحيحة ومزودة بحواف قطع حادة تتعرض بشكل أقل للالتصاق ويسهل التحكم بها على نحو أكبر.

ز) استخدم الأداة الكهربائية والملحقات ولقهر الأداة وما شابه ذلك وفقاً لهذه التعليمات مع الأخذ في الاعتبار ظروف التشغيل والعمل المراد تنفيذها. إذ أن استخدام الأداة الكهربائية لعمليات مختلفة عن تلك العمليات المخصصة لها قد يؤدي إلى حالة خطيرة.

5) الخدمة

أ) قم بصيانة الأداة الكهربائية الخاصة بك على يد فني إصلاح مؤهل وذلك من خلال استخدام أجزاء بديلة متطابقة فقط. حيث سيضمن ذلك الحفاظ على أمان الأداة الكهربائية.

قواعد أمان خاصة إضافية للمناشير الدائرية

تعليمات الأمان الخاصة بجميع المناشير

أ) ⚠️ خطر إجهل يدك بعيداً عن منطقة القطع والشفرة. إجهل يدك الثانية على المقبض أو مبيت المحرك. إذا كانت كلتا يديك تمسك بالمنشار، فإنهما لا يمكن لهما أن يقطعا بالشفرة.

ب) لا تصل إلى أسفل قطعة العمل. لا يمكن للواقي أن يحميك من الشفرة أسفل قطعة العمل.

ج) قم بضبط عمق القطع بمقدار سمك قطعة العمل. يجب رؤية أقل من الأسنان الكاملة لسن الشفرة تحت قطعة العمل.

د) لا تمسك القطعة بيديك أو عبر قديمك عند القطع. ثبت قطعة العمل بمنصة ثابتة. من المهم دعم العمل بشكل ملائم لتقليل تعرض الجسم للمخاطر أو إعاقة الشفرة أو فقدان السيطرة.

هـ) قم بإمسك الأداة الكهربائية بواسطة أسطح الإمساك المعزولة عند تنفيذ العملية حيث قد تتلامس أداة القطع مع الأسلاك الخفية. ملحق القطع المتلامس مع السلك "النشط" قد يؤدي أيضاً إلى "تنشيط" الأجزاء المعدنية المكشوفة من الأداة الكهربائية وتعرض المشغل للصعق.

الأسباب وإجراءات الوقاية الخاصة بالمشغل ضد

الارتداد

- الارتداد هو رد فعل مفاجيء لشفرة منشار مضغوطة أو مقيدة أو مَرَكَبَة خطأً، وبسبب عدم السيطرة على المنشار مما يجعله يترك قطعة العمل ويخرج في اتجاه المشغل؛
- عندما يتم ضغط أو تقييد الشفرة بشكل محكم من خلال شق انقطاع، فإن الشفرة تتوقف ويحدث الارتداد رد فعل يدفع الوحدة إلى الخلف في اتجاه المشغل؛
- إذا أصبحت الشفرة متحركة أو مصطفة خطأً في القطع، فإن الأسنان في الحافة الخلفية للشفرة يمكن أن تدفع في السطح العلوي للخشب مما يسبب ارتفاع الشفرة خارج الشق وتقفز إلى الخلف في اتجاه المشغل.

الارتداد ينجم عن سوء استخدام المنشار، وأو بسبب إجراءات التشغيل غير الصحيحة أو الظروف غير الملائمة ويمكن تفاديها عن طريق اتخاذ إجراءات الوقائية الصحيحة كما هو مبين أدناه:

أ) امسك المنشار من كلا المقبضين الموجودين به وضع ذراعيك لمقاومة قوة الارتداد. ضع جسمك إلى أي من جانبي الشفرة ولا تضعه على خط مستقيم مع الشفرة. قد يتسبب الارتداد في قفز المنشار إلى الخلف، لكن قوة الارتداد من الممكن أن يتم التحكم فيها عن طريق المشغل إذا تم اتخاذ الإجراءات الوقائية.

ب) عندما تكون الشفرة ملتصقة أو عند توقف القطع لأي سبب من الأسباب، حرر مفتاح التشغيل واجعل المنشار بدون حركة في وحدة المادة حتى تتوقف الشفرة بشكل تام. لا تحاول إزالة المنشار من العمل أو سحب المنشار إلى الخلف عندما تكون الشفرة في حالة حركة والاسحذت ارتداد. تحقق من سبب التصاق الشفرة واتخذ الإجراءات التصحيحية للتخلص من السبب.

ج) عند إعادة تشغيل المنشار في قطعة العمل، ضع شفرة المنشار في وسط الشق وتحقق من أن أسنان المنشار غير لاصقة بالمادة. إذا كانت شفرة المنشار ملتصقة، فإنه يمكن تحريكها أو ارتدادها من قطعة العمل عندما يتم إعادة تشغيل المنشار.

د) ادعم اللوحات الكبيرة لتقليل مخاطر ضغط أو ارتداد الشفرة. تميل اللوحات الكبيرة إلى الارتفاع تحت ثقل حملها. يجب وضع الدعائم أسفل اللوحة على كلا الجانبين، بالقرب من خط القطع وبالقرب من حافة اللوحة.

هـ) لا تستخدم الشفارات غير الحادة أو التالفة. فالشفرات غير الحادة أو الموضوعة بطريقة غير ملائمة تعطي شقاً ضيقاً يسبب إحتماكاً زائداً والتصاق للشفرة وارتداد.

و) يجب أن يتم إحكام ربط وتثبيت عمق الشفرة وارتفاع وإغلاق الضبط المائل قبل القطع. إذا تغير ضبط الشفرة أثناء القطع، قد يحدث التصاق وارتداد.

ز) اتخذ أقصى درجات الحيطة عند إجراء النشر في جدران قائمة أو مناطق مصممة أخرى، والشفرة الناتجة قد تقطع الأشياء التي يمكن أن تسبب ارتداد.

تعليمات أمان الواقي السفلي

أ) افحص الواقي السفلي فيما يخص الإغلاق المناسب قبل كل استخدام. لا تقم بتشغيل المنشار إذا كان الواقي السفلي لا يتحرك بحرية ويغلق على الفور. لا تثبت أو تربط الواقي السفلي في الوضع المفتوح. إذا سقط المنشار بشكل عارض، فإن الواقي السفلي قد ينحني، ارفع الواقي السفلي مع سحب المقبض وتأكد من أنه يتحرك بحرية ولا يلمس الشفرة أو أي جزء آخر في جميع الزوايا وأعماق القطع.

ب) افحص عملية تشغيل زنبركي الواقي السفلي. إذا لم يعمل الواقي والزنبركي على نحو ملائم، يجب إصلاحهما قبل الاستعمال. قد يعمل الواقي السفلي ببطء بسبب الأجزاء التالفة أو الرواسب الصغيرة أو تكوم الحطام.

قم باتباع التعليمات الواردة مع القوايس ذات الجودة العالية المنصهر الموصى باستخدامه: 13 أمبير.

استخدام كابل الاستطالة

إذا استدعت الضرورة استخدام كابل استطالة، فاستخدم كابل استطالة معتمد ملائم لدخل طاقة هذه الأداة، (انظر البيانات الفنية). الحد الأدنى لحجم الموصل هو 1,5 مم² الطول الأقصى هو 30 م.

عند استخدام بكرة الكابل، قم دوماً بفك الكابل تماماً.

محتويات العبوة

تحتوي العبوة على ما يلي:

- 1 منشار دائري 184 مم
- 1 شفرة المنشار الدائري
- 1 مفتاح براغي الشفرة
- 1 حاجز متوازي
- 1 مزرب استخلاص الأتربة
- 1 دليل التعليمات
- افحص بحثاً عن أي تلف لحق بالأداة أو الأجزاء أو الملحقات يمكن أن يكون قد حدث أثناء النقل.
- خذ الوقت اللازم لقراءة هذا الدليل وافهمه جيداً قبل التشغيل.

علامات على الأداة

الصور التالية موضحة على الأداة:



اقرأ دليل التعليمات قبل الاستخدام.



قم بارتداء واقبات الأذن.



قم بارتداء واقبات العين.

وضع كود التاريخ (الشكل A)

كود التاريخ 26 الذي يتضمن كذلك عام التصنيع، مطبوع في الغلاف.

مثال:

2019 XX XX

سنة التصنيع

الوصف (الشكل A)

تحذير: لا تقم مطلقاً بتعديل الأداة الكهربائية أو أي جزء منها. فقد ينجمر عن ذلك التلف أو الإصابة الشخصية.

- 1 مفتاح المشغل
- 2 المقبض الرئيسي
- 3 مفتاح الشفرة
- 4 غطاء نهائي
- 5 مقبض إضافي
- 6 قبضة ضبط الميول
- 7 آلية ضبط زاوية الميول
- 8 لوحة القاعدة
- 9 وافي الشفرة السفلي
- 10 برغي تثبيت الشفرة
- 11 ذراع الواقي السفلي
- 12 وافي الشفرة العلوي
- 13 زر القفل

- ج) يجب سحب الواقي السفلي بدياً فقط في حالات القطع الخاصة مثل "قطع الغمس" و"القطع المركبة". رفع الواقي السفلي من خلال الوصول إلى المقبض بمجرد دخول الشفرة في المادة، يعمل على تحرير الواقي السفلي، بالنسبة لجميع أنواع النشر الأخرى، يجب تشغيل الواقي السفلي تلقائياً.
- د) دائماً يجب ملاحظة أن الواقي السفلي يغطي الشفرة قبل وضع المنشار على النضد أو الأرض. الشفرة غير المحمية أو المكشوفة سوف تجعل المنشار يرتد للخلف ويقطع أي شيء موجود في طريقه، كن حذراً بشأن الوقت الذي تأخذه الشفرة حتى تتوقف بعد تحرير المفتاح.

تعليمات السلامة الإضافية للمناشير الدائرية

- قم بارتداء واقبات الأذن. التعرض للضوضاء قد يؤدي إلى فقدان السمع.
- ارتدي القناع الواقي من التراب. التعرض لدقائق الغبار قد يسبب صعوبات في التنفس ومن الممكن التعرض لإصابة.
- لا تستخدم الشفرات ذات قطر أكبر أو أصغر مما هو موصى به، للحصول على تصنيف الشفرة السليم، ارجع إلى البيانات الفنية. ولا تستخدم سوى الشفرات المحددة في هذا الدليل، والتي تتوافق مع معيار EN 847-1.
- لا تستخدم مجلات قطع كاشطة.
- لا تستخدم ملحقات التغذية بالمياه.
- استخدم المشايك أو أي وسيلة عملية أخرى لتثبيت ودعم قطعة العمل على منصة عمل ثابتة، الإسماع بقطعة العمل بواسطة اليد أو على الجسم يجعلها غير ثابتة وبالتالي قد يؤدي ذلك إلى فقدان التحكم.
- ⚠ تحذير: نوصي باستخدام جهاز قاطع الدورة مع ضبط قطع الدورة على 30 ملي أمبير أو أقل.

المخاطر المتبقية

تعتبر المخاطر التالية متأصلة ومرتبطة باستخدام المناشير:

- الإصابات الناجمة عن ملامسة الأجزاء الدوارة أو الأجزاء الساخنة من الأداة.
- على الرغم من تطبيق تعليمات السلامة ذات الصلة والتزود بأجهزة الأمان، إلا أنه لا يمكن تفادي بعض المخاطر المتبقية المحددة. وتشمل هذه المخاطر ما يلي:
- ضعف السمع.
- خطر التعرض لعصر الأصابع عند تغيير الملحق.
- المخاطر الصحية الناجمة عن استنشاق الأتربة الناشئة عند العمل في الأخشاب.

السلامة الكهربائية

تم تصميم المحرك الكهربائي لتحمل جهد كهربائي واحد فقط. تأكد دوماً من أن مصدر إمداد الطاقة مطابق لتجهد الكهربائي المبين على لوحة التصنيف.

تم تزويد الأداة الخاصة بك مع DEWALT بعازل مزدوج طبقاً لمعيار EN60745، لذا لا حاجة للسللك الأرضي.



⚠ تحذير: يجب تشغيل الوحدات بقدرة 120 فولت من خلال محول العزل الآمن من التعطل مع شاشة التأسيس بين اللغات الرئيسية وغير الرئيسية.

في حالة استبدال السللك أو القابس في الأداة، يجب أن تتم عملية الإصلاح من قبل مركز خدمة معتمد أو فني مؤهل.

استبدال قابس التيار الرئيسي

(الشرق الأوسط وإفريقيا)

إذا استدعت الضرورة تركيب قابس تيار رئيسي، فقم بالتالي:

- تخلص بأمان من القابس القديم.
- قم بتوصيل السللك البني بطرف التوصيل النشط في القابس.
- قم بتوصيل السللك الأزرق بطرف التوصيل المحايد.
- ⚠ تحذير: لا يتم إجراء أي توصيل بطرف التوصيل الأرضي.

5. اتبع من الخطوة 1 إلى الخطوة 5 فيما يلي لتثبيت الشفرة، وتأكد من أن الشفرة سوف تدور في الاتجاه المناسب.

واقي الشفرة السفلي



تحذير: واطي الشفرة السفلي هو ميزة أمان تقلل من مخاطر الإصابات الشخصية الخطيرة. لا تستخدم المنشار إذا فقد واطي الشفرة السفلي أو تلف أو تم تركيبه بصورة غير سليمة أو كان لا يعمل بطريقة ملائمة. لا تعتمد على واطي الشفرة السفلي لحماية نفسك في جميع الظروف. تعتمد سلامتك على اتباع جميع التحذيرات والاحتراسات وكذلك التشغيل المناسب للمنشار. أخصص واطي الشفرة السفلي فيما يخص الإغلاق المناسب قبل كل استخدام. إذا فقد واطي الشفرة السفلي أو كان لا يعمل بطريقة ملائمة يتعين إصلاح المنشار قبل الاستخدام. لضمان أمان وموثوقية المنتج، قم بإصلاحه وصيانته وضبطه من قبل مركز خدمة معتمد أو مؤسسة خدمات أخرى مؤهلة ودائماً ينبغي استخدام قطع غيار مطابقة.

فحص واطي الشفرة السفلي (الشكل A)

1. أغلق الأداة وقم بفضلهما من مصدر الطاقة.
 2. قم بتدوير ذراع واطي الشفرة السفلي (11 الشكل A) من الوضع المغلق تماماً إلى الوضع المفتوح تماماً.
 3. حرر الذراع (11) ولاحظ واطي 9 يعود إلى الوضع المغلق تماماً.
- يجب صيانة الأداة من قبل مركز صيانة خدمة معتمد إذا كانت:
- تخفق في العودة إلى وضع الإغلاق تماماً،
 - تتحرك بشكل متقطع أو ببطء،
 - تلامس الشفرة أو أي جزء من الأداة في جميع زوايا وأعماق القطع.

ضبط عمق القطع (الشكل E-G)

1. ارفع ذراع ضبط العمق (16) لفكها.
2. للحصول على العمق الصحيح للقطع، قم بحاذأة السن (17) في عمق ضبط الطوق على العلامة المناسبة في واطي الشفرة العلوي (12).
3. قم بربط ذراع ضبط العمق بإحكام
4. بالنسبة لمعظم أعمال القطع الفعال باستخدام شفرة منشار كريد المنحني، حدد ضبط العمق بحيث يكون نصف الأسنان البارزة تحت سطح الخشب ليتم قطعه.
5. يبين الشكل G طريقة فحص العمق الصحيح للقطع. ضع قطعة من المعدن الذي تريد قطعه على جانب الشفرة، على النحو الموضح في الشكل، ولاحظ كم عدد الأسنان البارزة خلف المعدن.

ضبط زاوية المبول (الشكل H)

آلية ضبط زاوية المبول (7) من الممكن تعديلها بين 0° و 48°.

1. لف قبضة ضبط المبول (6) لفكها.
2. قم بإمالة اللوحة القديمة إلى علامة الزاوية المرغوب فيها في قوس المحور (21).
3. لف قبضة ضبط المبول لفكها.

مؤشر الشق (شكل I)

يوجد في مقدمة مكبح المنشار مؤشر شق (20) للقطع العمودي والمائل. يُمكن هذا المؤشر من إدارة المنشار خلال خطوط القطع المحددة بالقلم الرصاص على المعدن المراد قطعه. يوجد المؤشر بجوار الجانب الأيسر (الداخلي) لشفرة المنشار، الذي يقوم بقطع الشق أو "الأخدود" من خلال تحريك الشفرة لأسفل إلى يمين المؤشر. تشير الأسنان في لوحة القاعدة إلى 0° و 45°.

واقي الكابل القابل للضبط (الشكل J)

يسمح واطي الكابل القابل للضبط (22) للكابل أن يكون موضعاً عمودياً أو موازياً للشفرة، وهو موضوع في الوضع العمودي.

للحصول على الوضع الموازي (الشكل J1)

1. أضغط على مؤشر الكابل (22) على النحو المبين بالسهم.
2. قم بتدوير واطي الكابل في اتجاه عقارب الساعة للوصول إلى الوضع الموازي.

الاستخدام المقصود

تم تصميم هذه المناشير الدائرية ذات المهام الثقيلة لتطبيقات قطع الأخشاب بطريقة مهنية. لا تستخدم أدوات التغذية بالمياه الملحقة مع المنشار. لا تستخدم عجلات أو شفرات كاشطة. لا تستخدم في ظل الأحوال الجوية الممطرة، أو في وجود السوائل أو الغازات القابلة للاشتعال.

هذه المناشير ذات المهام الثقيلة هي من الأدوات الآلية المهنية. لا تدع الأطفال يلعبون الأداة. يكون الإشراف أمراً ضرورياً عند استخدام مشغل قليل الخبرة لهذه الأداة.

- هذا المنتج غير مخصص للاستخدام من قبل الأفراد (بما في ذلك الأطفال) الذين يعانون من قصور في القدرات الجسدية أو الحسية أو العقلية، وقلة الخبرة أو المعرفة أو المهارات ما لم يكونوا تحت إشراف من يتحمل مسؤولية سلامتهم. لا ينبغي أن يُترك الأطفال وحدهم مع هذا المنتج.

عمليات التجميع والضبط



تحذير: لتقليل خطر التعرض للإصابة الشخصية الجسيمة، قم بإيقاف تشغيل الأداة وفصلها من مصدر الطاقة قبل إجراء أي عمليات ضبط، أو إزالة/تركيب الملحقات أو الإسسورات. تأكد من أن مفتاح التشغيل في وضع OFF (إيقاف التشغيل). قد يؤدي بدء التشغيل غير المقصود إلى حدوث إصابة.

تغيير الشفرات

تركيب الشفرة (الشكل A-D)

1. استخدام ذراع واطي الشفرة السفلي (11) يعمل على سحب واطي الشفرة السفلي (9) ووضع الشفرة على عمود دوران المنشار في مقابل حلقة التثبيت الداخلية (15)، تأكد من أن الشفرة سوف تدور في الاتجاه المناسب (اتجاه سهم الدوران في شفرة وأسنان المنشار في نفس اتجاه سهم دوران المنشار). لا تفترض أن الطباعة على الشفرة سوف تكون دائماً مواجهة لك عندما تكون مركبة بشكل مناسب. عند سحب واطي الشفرة السفلي لتركيب الشفرة، قم بفحص حالة تشغيل واطي الشفرة السفلي للتأكد من أنه يعمل بشكل ملائم. تأكد من أنه يتحرك بحرية ولا يلمس الشفرة أو أي جزء آخر في جميع الزوايا وأعماق القطع.
2. ضع حلقة التثبيت الخارجية (14) على عمود دوران المنشار ويكون السطح المسطح الكبير مقابل الشفرة والكلمات المطبوعة على حلقة التثبيت الخارجية مواجهة لك.
3. قم بإدخال سن برغي تثبيت الشفرة (10) في عمود دوران المنشار باليد (البرغي به أسنان لولبية اليمنى ويجب لفها في اتجاه عقارب الساعة حتى يتم ربطها بإحكام).
4. اضغط على مفتاح الشفرة (3) عند لف عمود دوران المنشار بمفتاح ربط الشفرة حتى يتم تعشيق مفتاح الشفرة وتتوقف الشفرة عن الدوران.
5. قم بربط برغي تثبيت الشفرة بإحكام بمفتاح برغي الشفرة.

ملاحظة: لا تقم بتعشيق مفتاح الشفرة عندما يكون المنشار في وضع التشغيل أو التعشيق في الجهد لإيقاف الأداة. لا تقم بتشغيل المنشار عندما يكون مفتاح الشفرة معشوق، وإلا سينتج تلف خطير للمنشار الخاص بك.

لتغيير الشفرة (الشكل B-D)

1. لفك برغي تثبيت الشفرة (10) اضغط على مفتاح الشفرة (3) ولف عمود دوران المنشار بمفتاح ربط الشفرة (19) حتى يتم تعشيق مفتاح الشفرة وتتوقف الشفرة عن الدوران. مع تعشيق مفتاح الشفرة، لف برغي تثبيت الشفرة في عكس اتجاه عقارب الساعة بمفتاح برغي الشفرة (البرغي به أسنان لولبية اليمنى ويجب لفها في اتجاه عقارب الساعة حتى يتم فكها).
2. قم بإزالة برغي تثبيت الشفرة (10) وحلقة التثبيت الخارجية (14). قم بإزالة الشفرة القديمة.
3. نظف أي نشارة خشب قد تتجمع في واطي أو منطقة حلقة التثبيت وقم بفحص حالة وتشغيل واطي الشفرة السفلي على النحو المبين أعلاه. لا تقم بتشحيم هذه المنطقة.
4. دائماً استخدم الشفرات ذات الحجم (القطر) المناسب بالحجم المناسب وشكل فتحة مركزية لتركيب عمود دوران المنشار. تأكد دائماً من أن أقصى سرعة (دورة في الدقيقة) موصى بها على المنشار تقابل أو تزيد عن سرعة المنشار (دورة في الدقيقة).

للحصول على الوضع العمودي (الشكل J2)

1. أضغط على مؤشر الكابل 22 على النحو المبين بالسهم.
2. قمر بتدوير وافي الكابل في عكس اتجاه عقارب الساعة للوصول إلى الوضع العمودي.

تركيب الحاجز المتوازي وضبطه (الشكل K)

يستخدم الحاجز الموازي 23 للقطع الموازي لحافة قطعة العمل.

التركيب

1. أدخل مقبض ضبط الحاجز الموازي 24 في الفتحة 27 على النحو المبين في الشكل K، مع الاحتفاظ بالمقبض محرراً ليسمح بمرور الحاجز الموازي.
2. أدخل الحاجز الموازي 23 في لوحة القاعدة 8 على النحو المبين في الشكل K.
3. أربط مقبض ضبط الحاجز الموازي 24 بإحكام.

الضبط

1. أرخي مقبض ضبط الحاجز الموازي 24 وحدد الاتساع المطلوب به للحاجز الموازي 23. يمكن قراءة الضبط من مقياس الحاجز الموازي.
2. أربط مقبض ضبط الحاجز 24 بإحكام.

تركيب مزراب استخلاص الأتربة (الشكل L، E، A)

المنشار الدائري DWES60 الخاص بك تم تزويده بمزراب استخلاص الأتربة.

تركيب مزراب استخلاص الأتربة

1. قمر بتحرير ذراع ضبط الحقن 16 (الشكل E).
2. ضع لوحة القاعدة 8 (الشكل A) في أقل وضع.
3. قمر بمحاذاة نصفي مزراب استخلاص الأتربة 25 أعلى وافي الشفرة 12 على النحو المبين.
4. أدخل المناشير وقمر بإحكام الربط بشكل آمن.

قيل عملية التشغيل

- تأكد من أن جميع الأوقية تم تركيبها بشكل صحيح. يجب أن يكون وافي الشفرة في وضع الإغلاق.
- تأكد من أن شفرة المنشار تدور في اتجاه السهم الموضح على الشفرة.
- لا تفرط في استخدام المناشير البالية.

التشغيل

تعليمات الاستخدام

تحذير: التزم دومًا بتعليمات الأمان واللوائح المعمول بها.

- تحذير: لتقليل خطر التعرض للإصابة الشخصية الجسيمة، قمر بإيقاف تشغيل الأداة وفصلها من مصدر الطاقة قبل إجراء أي عمليات ضبط، أو إزالة/تركيب الملحقات أو الإكسسوارات. تأكد من أن مفتاح التشغيل في وضع OFF (إيقاف التشغيل). قد يؤدي بدء التشغيل غير المقصود إلى حدوث إصابة.

الوضع اليدوي الصحيح (الشكل رقم M)

- تحذير: لتقليل خطر حدوث الإصابة الشخصية الجسيمة، استخدم دوامًا الوضع اليدوي الملائم كما هو موضح.
- تحذير: لخفض خطر التعرض للإصابة الجسدية الجسيمة، أمسك دوامًا الأداة بإحكام عند توقع حدوث رد فعل مفاجئ.

يتطلب الوضع اليدوي الملائم استخدام يد واحدة على المقبض الرئيسي 2، مع وجود اليد الأخرى على المقبض الإضافي 5.

التشغيل وإيقاف التشغيل (شكل A)

تم تزويد مفتاح التشغيل 1 الخاص بأداتك بزر إغلاق 13 للأسباب الأمنية.

أضغط على زر الإغلاق لفتح الأداة.

لتشغيل الأداة، أضغط على مفتاح التشغيل 1. بمجرد تحرير مفتاح التشغيل، يتم تنشيط مفتاح الإغلاق تلقائيًا لمنع تشغيل الماكينة بغير قصد.

ملاحظة: لا يتم بتشغيل وإيقاف الأداة عندما تكون شفرة المنشار ملامسة لقطعة العمل أو أي مواد أخرى.

دعم قطعة العمل (الشكل N-Q)

تحذير: لتقليل مخاطر الإصابات الشخصية الخطيرة، قمر بدعم قطعة العمل بشكل مناسب وامتسك المنشار بثبات لمنع فقد السيطرة عليه.

يوضح الشكل N و P وضع النشر المناسب. يوضح الشكل O و Q حالة غير آمنة. يجب الاحتفاظ بالأيدي بعيداً عن منطقة القطع، وكابل الطاقة موضوع بعيداً عن منطقة القطع حتى لا يُعلق أو يتعلق بقطعة العمل.

لتجنب الارتداد، دائماً قمر بدعم اللوح الخشبي أو السطح بالقرب من مكان القطع (شكل N و P). لا تدعم اللوح الخشبي أو السطح بعيداً عن القطع (الشكل O و Q). عند تشغيل المنشار، يجعل الكابل بعيداً عن منطقة القطع وامنعه من أن يصبح معلقاً على قطعة العمل.

قمر دائماً بفصل المنشار قبل عمل أي تعديلات! ضع قطعة العمل على جانبها "الجيد" – الوجه الذي يكون مظهره أكثر ملاءمة – لأسفل. يقطع المنشار إلى أعلى، لذا فإن أي تشقق سوف يكون في وجه قطعة العمل التي لأعلى عند نشرها بالمنشار.

القطع

تحذير: لا تحاول استخدام هذه الأداة من خلال سندها رأساً على عقب على وجه قطعة العمل وإحضار المادة إلى الأداة. دائماً قمر بتثبيت قطعة العمل بشكل آمن وأحضر الأداة إلى قطعة العمل، أمسك الأداة بشكل آمن بيديك الأثنتين على النحو المبين في الشكل P.

ضع الجزء الأوسع من اللوحة القديمة للمنشار على هذا الجزء من قطعة العمل المدعومة بصلابة، ولا تضعها على الجزء الذي سوف يسقط عندما يتم القطع. على سبيل المثال، الشكل P يوضح الطريقة الصحيحة لقطع نهاية لوحة خشبية. تُبط قطعة العمل دائماً. لا تحاول مسك قطعة صغيرة بيديك! تذكر دعم الركيزة والمواد الناتجة. كن حذراً عند نشر المواد من الأسفل.

تأكد من أن المنشار يصل إلى السرعة القصوى الكاملة قبل ملامسة الشفرة للمواد التي يراد قطعها. ابدأ بالنشر بوضع الشفرة مقابل المادة التي يراد قطعها ولا تدفعها للأمام إلى الشق حيث إن ذلك ينتج عنه إرتداد. ادفع المنشار إلى الأمام بسرعة تسمح للشفرة بالقطع دون جهد. قد تتغير الصلابة والمتانة حتى في نفس قطعة العمل الواحدة، والأجزاء المعقدة والرطبة من الممكن أن تسبب حملاً ثقيلاً على المنشار. عندما يحدث ذلك، ادفع المنشار بطريقة أكثر بطئاً لكن بقوة كافية لاستمرار العمل دون تناقص كبير في السرعة. وقد يتسبب دفع المنشار بقوة في حدوث قطوع خشنة وغير دقيقة ويتسبب في ارتداد وإحداث سخونة زائدة للمحرك. إذا انتهت عملية القطع، لا تحاول إجبار المنشار على الرجوع للخلف. حرر المفتاح واسمح للشفرة بالتوقف بشكل تام. بعد ذلك يمكن سحب المنشار، والمشاهدة من جديد، والبدء في قطع جديد بعض الشيء داخل واحدة على نحو خاطئ. وعلى أية حال، قمر بسحب المنشار إذا كان يجب عليك تغيير القطع. إجبار التصحيح داخل القطع قد يوقف المنشار ويؤدي إلى حدوث ارتداد.

إذا توقف المنشار، حرر مفتاح التشغيل وأعد المنشار للخلف حتى يتحرك. تأكد من أن الشفرة في وضع مستقيم داخل القطع وغير ملاصقة لحافة القطع قبل البدء.

عند الانتهاء من القطع، حرر مفتاح التشغيل واسمح للشفرة بالتوقف قبل إخراج المنشار من قطعة العمل. عند إخراجك للمنشار، فإن الوافي المتداخل بتركيه ضاغط يعلق تلقائياً أسفل الشفرة. تذكر أن الشفرة مكشوفة حتى يحدث ذلك. لا تصل إلى أسفل قطعة العمل لأي سبب من الأسباب. عندما يتعين عليك سحب الوافي المتداخل يدوياً (حيث يلزم ذلك للبدء في قطوع التجاويف) استخدم دائماً ذراع السحب.

ملاحظة: عند قطع أشربة رفيعة، عليك أن تأكد من أن القطع المتقطعة الصغيرة لا تتعلق داخل الوافي السفلي.

التزويق (الشكل K)

التزويق هو عملية قطع اللوحات العريضة إلى أشربة ضيقة - قطع حبيبات طولية. التوجيه اليدوي أكثر صعوبة لهذا النوع من النشر ويوصى باستخدام الحاجز الموازي (الشكل K) DEWALT 23.



التشحيم

تستخدم كرة وحلقة التشحيم الذاتي في الأداة ولا يلزم إعادة التشحيم. ومع ذلك، يوصى عند مرور سنة بأخذ الأداة أو إرسالها إلى مركز الخدمة للتنظيف والفحص والتشحيم الشامل لعبة التروس.



التنظيف

تحذير: قم بنفخ الأتربة والغبار خارج التجويف الرئيسي بواسطة الهواء الجاف عدد أكبر من المرات في حال مشاهدة تجمع الأتربة بداخل المنافذ الهوائية وحولها. قم بإرتداء قمي بارنداء واقى العين المعتمد وكمامة الأتربة المعتمدة عند تنفيذ هذا الإجراء.

الواقى السفلي

يجب دائما تدوير الواقى السفلي وغلقة بحرية من وضع الفتح التام إلى وضع الإغلاق التام. دائما قم بفحص التشغيل الصحيح قبل القطع من خلال الفتح التام للواقى وتركه يغلاق. إذا أغلق الواقى بيضاء أو لم يغلاق تماماً فإنه سوف يحتاج إلى التنظيف أو الصيانة. لا تستخدم المنشار حتى يعمل بشكل سليم. لتنظيف الواقى، استخدم الهواء الجاف أو فرشاة ناعمة لإزالة جميع نشارة الخشب أو الحطام المتجمع من ممر الواقى ومن حول زئيركي الواقى. إذا لم يكن ذلك هو المشكلة الحقيقية، فإنه يحتاج إلى الصيانة من قبل مركز صيانة معتمد.

تحذير: لا تقم مطلقاً باستخدام مذيبات أو أي مواد كيميائية قاسية أخرى لتنظيف الأجزاء غير المعدنية بالأداة. إذ قد تضعف هذه المواد الكيميائية من المواد المستخدمة في هذه الأجزاء. استخدم قطعة قماش مبللة بالماء والصابون الخفيف فقط. لا تسمح قط بدخول أي سائل إلى الأداة، ولا تقم مطلقاً بغمر أي جزء من الأداة في السائل.

الشفرات

الشفرة غير الحادة سوف تسبب قطع غير فعال وحمل زائد على المحرك وتشقق مفرد وزيادة احتمالية الإرتداد. قم بتغيير الشفرات عندما لا يكون من السهل دفع المنشار عبر القطع أو عندما يُجهد المحرك أو عندما تشبأ سخونة زائدة في الشفرة. من الجيد أن تحتفظ بشفرات إضافية في حوزتك حتى تكون الشفرات الحادة متاحة للاستخدام على الفور. من الممكن شحذ الشفرات غير الحادة في معظم المناطق.

من الممكن إزالة الصمغ المتصلب على الشفرة بالكربوسين أو التريتينين أو بالتنظيف عبر الفرن. من الممكن استخدام شفرات مغطاة بطبقة مضادة للاتصاق في الاستعمالات التي يوجد بها رواسب كثيرة مثل الضغط المعالج والخشب الأخضر.

الملحقات الاختيارية

تحذير: نظراً لأن الملحقات، بخلاف تلك التي اعتمدها DEWALT، لم تخضع للاختبار مع هذا المنتج، فإن استخدام مثل هذه الملحقات مع الأداة قد يشكل خطورة. لتقليل خطر وقوع إصابة، يجب استخدام ملحقات DEWALT الموصى بها فقط مع هذا المنتج.

لا تستخدم أدوات التغذية بالمياه الملحقة مع المنشار.

قم بفحص شفرات الكريبد بشكل بصري قبل استعمالها. قم بتغييرها إذا لزم الأمر. استشر وكيلك لمعرفة المزيد من المعلومات حول الملحقات الملائمة.

حماية البيئة

التجميع المنفصل. يجب عدم التخلص من المنتجات والبطاريات المحددة بهذا الرمز من خلال القمامة المنزلية العادية.

فهذه المنتجات والبطاريات تحتوي على مواد يمكن استعادتها أو إعادة تدويرها لخفض الطلب على المواد الخام الرجاء التخلص من المنتجات الكهربائية والبطاريات وفقاً للقوانين المحلية. توجد معلومات إضافية متوفرة على الموقع

www.2helpU.com



قطع التجاويف (الشكل R)

تحذير: لا تربط واقى الشفرة في وضع مرتفع. لا تحرك المنشار إلى الخلف عند قطع التجاويف. حيث قد يسبب ذلك في رفع الوحدة من سطح قطعة العمل وهو ما قد يسبب إصابة.

- يحدث قطع التجويف في الأرياض أو الحوائط أو في أي أسطح مستوية أخرى.
- أصبط اللوحة القديمة للمنشار حتى تقطع الشفرة على العمق المرغوب فيه.
- قم بإمالة المنشار إلى الأمام وأرج مقدمة اللوحة القديمة على المادة التي تريد قطعها.
- باستخدام ذراع الواقى السفلي، اسحب واقى الشفرة السفلي إلى وضع أعلى. تقريبا يلامس الجزء الخلفي السفلي من اللوحة القديمة حتى أسنان الشفرة خط القطع.
- حرر واقى الشفرة (اتصاله مع قطعة العمل يجعله في موضع يفتح بحرية عندما تبدأ القطع). قم بإزالة اليد من ذراع الواقى قم بمسك المقبض الإضافي بثبات 5 على النحو المبين في الشكل R. إجعل جسمك وذراعك يسبحان لك بمقاومة الإرتداد عند وقوعه.
- تأكد من أن الشفرة غير ملامسة لسطح القطع قبل بدء تشغيل المنشار.
- قم بتشغيل المحرك وخفض المنشار تدريجياً حتى تستند لوحة القديمة بشكل مستو على المادة المراد قطعها. قدم المنشار عبر خط القطع حتى يكتمل القطع.
- حرر مفتاح التشغيل واسمح للشفرة أن تتوقف بشكل تام قبل سحب الشفرة من المادة.
- عند البدء في كل قطع جديد، كرر ما هو مذكور عاليه.



استخلاص الأتربة (الشكل S)

تحذير: خطر استنشاق الأتربة. لتقليل مخاطر الإصابة الشخصية، قم دائماً بإرتداء كمامة الأتربة المعتمدة.

تم تزويد مزراب استخلاص الأتربة 25 للأداة الخاصة بك.

خراطيم الكمانس الكهربائية لمعظم مستخلصات الكمانس الشائعة تلائم بشكل مباشر مزراب استخلاص الأتربة.

تحذير: استخدم دائماً مستخلص الكمانس الكهربائية المصمم بما يتفق مع التعليمات المطبقة فيما يتعلق بانبعث الغبار عند نشر الخشب. خراطيم الكمانس الكهربائية لمعظم منظفات الكمانس الشائعة تلائم بشكل مباشر مخارج استخلاص الأتربة.

نظام موصل محبسة الهواء - DWV9000

(إياع بشكل منفصل) (الشكل 5)

تسمح محبسة الهواء بتوصيل سريع وآمن بين مزراب استخلاص الأتربة من الأدوات ومستخلص الأتربة.

- تأكد من أن الحلقة الموجودة في موصل محبسة الهواء في وضع الفتح. قم بمحاذاة الأسنان في الحلقة وموصل محبسة الهواء على النحو المبين لأوضاع الفتح والقفل.
- ادفع موصل محبسة الهواء إلى مزراب استخلاص الأتربة 25.
- أدر الحلقة إلى وضع القفل.

الصيانة

تم تصميم الأداة الكهربائية DEWALT الخاصة بك للعمل خلال فترة زمنية طويلة مع أدنى حد من الصيانة. يعتمد التشغيل المرضي المتواصل على العناية الملائمة بالأداة وتنظيفها بشكل منتظم.

تحذير: لتقليل خطر التعرض للإصابة الشخصية الجسيمة، قم بإيقاف تشغيل الأداة وفصلها من مصدر الطاقة قبل إجراء أي عمليات ضبط، أو إزالة/تركيب الملحقات أو الإكسسوارات. تأكد من أن مفتاح التشغيل في وضع OFF (إيقاف التشغيل). قد يؤدي بدء التشغيل غير المقصود إلى حدوث إصابة.



Afghanistan	Ariana Hafiz Zabi Co. Ltd. Dahan Bagh Squire Karte Ariana, Kabul, Afghanistan	info@arianahafiz.com	Tel: 93-0-799331079 Fax: 93-0-70000576 / 93-0-799331079
Algeria	Sarif Outillage Corporation 08, Rue Med Boudiaf (ex TELLA Achen) Cheraga, Alger	hakim.merdjadi@outillage-dz.com lyes@outillage-dz.com Mali.faiza@outillage-dz.com; sidahmed@outillage-dz.com	Tel: 213-0-21375130 213-0-21375131 Fax: 213-0-21369667
Angola	Angoferraria, Lda. Rua Robert Shields, nº 61, Luanda, Angola	angoferraria@gmail.com sequeira.angoferraria@gmail.com	Tel: 244-222-395837 / 244-222-395034 Fax: 244-222-394790
Azerbaijan	Royalton Holdings Ltd. 41 Khagani St. Apt. 47 AZ1001 Baku- Azerbaijan	jai@royaltonholdings.com office@royaltonholdings.com	Tel: 994-12-4935544 Fax: 994-12-5980378
Egypt	ElFarab S.A.E. 15-Nabil El Wakkad Street, Dokki, Giza, Egypt	elfarab@elfarab.com adel.ezzat@elfarab.com mahmoud.elhosseiny@elfarab.com	Tel: 202-37603946 Fax: 202-33352796
Ethiopia	Seif Tewfik Sherif Arada Sub City, Kebele 01/02, Global Insurance Bldg., 2nd Flr., Room 43, P.O. Box 2525, Addis Ababa	seif@ethionet.et nawanag@ethionet.et	Tel: 251-11-1563968 251-11-1563969 Fax: 251-11-1558009
Iraq	Al-Sard Co. for General Trading Ltd Jbara Bldg. 3Flr. Al Rasheed St., Baghdad, Iraq	dewalt.service@yahoo.com	Tel: 964-18184102
Jordan	Amman West Stores-Bashti 210 Garden St. Tla'a Ali, P.O. Box 1564 Tla Ali Amman 11953, Jordan	ali@bashtistores.com yousef@bashtistores.com	Tel: 962-6-5350009 Fax: 962-6-5350012
Kenya	Dextron Tools Ltd. P.O. Box 20121-00200, Shariff House, Kimathi Street, Nairobi	info@alibhaishariff.co.ke dextron@alibhaishariff.co.ke	Tel: 254-20-6905000 254-20-2358021 Fax: 254-20-6905111 / 254-20-6905112
Lebanon	Est. Shaya & Azar S.A.R.L. Boulevard Jdeideh - Mar Takla - Bouchrieh . P.O. Box 90545, Jdeideh. Beirut - Lebanon	shayazar@dm.net.lb	Tel: 961 1 872305 961 1 872306 Fax: 961 1 872303
Libya	North Africa Trading (El Ghoul Brothers) P.O. Box 348, 7 October Street 11 Benghazi	maryam_farooq2003@yahoo.com nagte@eim.ae dewalt_libya@yahoo.com	Tel: 218-061-3383994 Fax: 218-092-7640688
	North Africa Trading (El Ghoul Brothers) AlBarniq DeWALT Center, Mokhazin-elsukar St. ElFallah, Tripoli	dewalt_libya@yahoo.com	Tel: 218-021-3606430 Fax: 218-092-6514813
	North Africa Trading (El Ghoul Brothers) AlHilal Service Center Tawergha St., Misurata		Tel: 218-091-3221408
Mauritius	Robert Le Marie Limited Old Moka Road, Bell Village, P.O. Box 161, Port Louis	a.blackburn.rlm@ringroup.mu jm.pierelouis.rlm@ringroup.mu	Tel: 230-212 1865 230-212 2847 Fax: 230-2080843
Morocco	Ets Louis Guillaud & Cie 31, Rue Pierre Parent, Casablanca - 21000	boumadiane.azedine@elg.ma doukkali.marouane@elg.ma	Tel: 522-301446 / 305971 / 317815 / 315576 Fax: 522-444518 / 317888
Nigeria	Meridian Power Tools Ltd. Gr. Floor, #1 Alhaji Masha Rd, Next to Teslim Balogun Stadium, Near National Stadium Surulere, Lagos, Nigeria	braj@meridian-nigeria.com	Tel: 234-1-7740431 234-1-7740410 Fax: 234-1-7913798
Pakistan	Northern Toolings (Pvt) Ltd.-Lahore 86- Railway Road, Lahore - 7 Pakistan	zhayee@northern.pk import@northern.pk sales@northern.pk	Tel: 92-423-7651220 92-423-7641675 Fax: 92-423-7641674
	Northern Toolings (Pvt) Ltd.-Karachi 224-231 Industrial Town Plaza, Shahrah-e-Liaqat, Karachi, Pakistan	karachibr@northern.pk	Tel: 92-213-2465305 92-213-2465307 Fax: 92-213-2465301
	Northern Toolings (Pvt) Ltd.-Taxila Al-Rehman Plaza, Opposite Tehsil Court, Faisal Shaheed Road, Taxila	taxiabr@northern.pk	Tel: 92-51-4545811 Fax: 92-51-4544194
South Africa	Benray Tool Wholesalers C.C. 91 Turfontein Road, Stafford, Johannesburg, 2001 P.O. Box 260037 EXCOM 2023, South Africa	dewalt.service@benray.co.za zain@benray.co.za shafiq@benray.co.za	Tel: 27-11-6838350 Fax: 27-11-6837456
Tanzania	General Motors Investment Ltd. 14 Vingunguti-Nyerere Road, P.O.Box 16541, Dar es Salaam, Tanzania	ezraz@gmi-tz.com info@gmi-tz.com chiwelesa@yahoo.com	Tel: 255-22-2865022 / 2862661 / 2862671 / 2862659 Fax: 255-22-2862667
Tunisia	Ets. Mohamed Ghorbel 03 Rue 8603 Charguia I Tunis. Postal Code 2035	slim.ghorbel@gnet.tn moh.ghorbel@gnet.tn mourad.ghorbel@gnet.tn	Tel: 216-71794248 216-71793848 Fax: 216-71770759
Uganda	The Building Center (21) Ltd. 52 Station Road, Kitgum House, P.O. Box 7436 Kampala, Uganda	tbc@africaonline.co.ug chris@tbcu.co.ug	Tel: 256-041-4234567 256-041-4259754 Fax: 256-041-4236413
Yemen	Middle East Trading Co. (METCO) 5th Flr.Hayel Saeed Anam Bldg. Al-Mugamma St. Taiz, Yemen	tamer.metco@gmail.com tamer@metcotrading.com metco@metcotrading.com sami@metcotrading.com	Tel: 967-4-213455 Fax: 967-4-219869
	Middle East Trading Co. (METCO) Mualla Dakka, Aden	tamer.metco@gmail.com tamer@metcotrading.com metco@metcotrading.com	Tel: 967-2-222670 Fax: 967-2-222670
	Middle East Trading Co. (METCO) Hayel st., Sana'a, Yemen	tamer.metco@gmail.com tamer@metcotrading.com metco@metcotrading.com	Tel: 967-1-204201 Fax: 967-1-204204

UAE	Black & Decker (Overseas) GmbH P.O. Box 5420, Dubai	service.mea@blackdecker.com	Tel: 971-4 8127400 / 8127406 Fax: 971-4 2822765	
	Ideal Star Workshop Eqpt. Trading LLC P.O. Box 37116, Al Quoz, Dubai	idealeq@emirates.net.ae	Tel: 971-4 3474160 Fax: 971-4 3474157	
	Alebrah Engineering Service P.O. Box 78954, Al Qusais, Dubai	alebrah@eim.ae	Tel: 971-4 2850044 Fax: 971-4 2844802	
	Burj Al Madeena Industrial Area No. 1, opp. Pakistani Masjid P.O. Box 37635, Sharjah	dewaltuae@hotmail.com	Tel: 971-6 5337747 Fax: 971-6 5337719	
	McCoy Middle East LLC P.O. Box 25793, Sharjah	mccoy@emirates.net.ae	Tel: 971-6 5395931 Fax: 971-6 5395932	
	McCoy Middle East LLC P.O. Box 10584, Ras Al Khaimah	mccoyrak@gmail.com	Tel: 971-7 2277095 Fax: 971-7 2277096	
	Al Sukoon Gen. Trdg. Co. LLC P.O. Box 2975, Ajman	sukoon@eim.ae	Tel: 971-6 7435725 / 7438317 Fax: 971-6 7437350	
	Zillion Equipment and Spare Parts Trading LLC P.O. Box 19740, opp. Bin Sadal / Trimix Hedyymt Sanaiya, Al Ain	zilliontrdg@gmail.com	Tel: 971-3 7216690 Fax: 971-3 7216103	
	Light House Electrical, Abu Dhabi Branch P.O. Box 120, Abu Dhabi	dewalt_lhe@hotmail.com	Tel: 971-2 6726131 Fax: 971-2 6720667	
	Light House Electrical, Musafih Branch P.O. Box 120, Abu Dhabi	dewalt_lhe@hotmail.com	Tel: 971-2 5548315 Fax: 971-2 5540461	
	Bahrain	Alfouz Services Co. WLL P.O. Box 26562, Tubli, Manama	alfouz@batelco.com.bh	Tel: 973 17783562 / 17879987 Fax: 973 17783479
		Kavalani & Sons W.L.L. P.O. Box 71, Sitra, Manama	info@kavalani.com pradeep@kavalani.com	Tel: 973 17732888 Fax: 973 17737379
	Kuwait	Al Omar Technical Co. P.O. Box 4062, Safat 13041, Kuwait	alexotc@usa.net	Tel: 965 24848595 / 24840039 Fax: 965 24845652
		Fawaz Al Zayani Establishment P.O. Box 42426, Shop No.18, Al Humaizi Commercial Complex, Khalifa Al Jassim, Shuwaikh	dewaltkuwait@hotmail.com	Tel: 965 24828710 Fax: 965 24828716
Fawaz Al Zayani Establishment Fahaheel Industrial Area, Main St., Sanaya		dewaltkuwait@hotmail.com	Tel: 965 23925830 Fax: 965 24828716	
Oman	Al Jizzi Company LLC P.O. Box 1704, P.C. 112, Ruwi	aljizied@omantel.net.om jizzi10@omantel.net.om	Tel: 968 24832618 / 24835153 Fax: 968 24831334 / 24836460	
	Al Hassan Technical & Construction Supplies Co. LLC P.O. Box 1948, P.C. 112, Ruwi	hamriya.sr@al-hassan.com abrar.h@al-hassan.com	Tel: 968 24810575 / 24837054 Fax: 968 24810287 / 24833080	
	Oman Hardware Co. LLC P.O. Box 635, Ruwi Postal Code 112	omanhard@omantel.net.om	Tel: 968 24815131 Fax: 968 24816491	
	Khimji Ramdas P.O. Box 19, Post Code 100, Ghala, Muscat	bilal.m@khimjiramdas.com	Tel: 968 24595906/ 907 Fax: 968 24852752	
Qatar	Teyseer Industrial Supplies & Services Co. WLL 55, Al Wakalat St. (Between St. 18 & 19) Salwa Industrial Area, P.O. Box 40523 Doha	manish@tisso-qatar.com tool.service@tisso-qatar.com	Tel: 974 4581536 Fax: 974 4682024	
	Shaheen Electrical Works & Trading Co. WLL Gate 34, St. 44 Industrial Area P.O. Box 9756, Doha	shaheenelc@gmail.com	Tel: 974 460 02 30 / 460 05 25 Fax: 974 460 13 38	
KSA	Industrial Material Organization (IMO) P.O. Box 623, Rail Street, Riyadh	service@imo.com.sa	Tel: 966-1 4028010 Ext. 26 Tel: 966-1 8001245757 Fax: 966-1 4037970	
	Fawaz Ebrahim Al Zayani Trading Est. P.O. Box 76026, Al Raka : 31952	dewaltdammam@hotmail.com	Tel: 966-3 8140914 Fax: 966-3 8140824	
	MSS (Al-Mojil Supply & Services) P.O. Box 450, Jubail 31951	mssjubail@almojilservices.com alex.chang@almojilservices.com	Tel: 966-3 3612850 / 3624487 Tel: 966-3 3621729 Fax: 966-3 3623589 / 3620783	
	Opp-Gulf Bridge Library & Riyadh House			
	EAC (Al Yousef Contg. & Trdg. Est.) P.O. Box 30377, Jeddah - 21477	golamkibria77@yahoo.com	Tel: 966-2 6519912 Fax: 966-2 6511153	
	Mohamed Ahmed Bin Afif Est. P.O. Box 530, Yanbu, Al Bahr	binaffiybanbu@hotmail.com	Tel: 966-4 3222626 / 3228867 Fax: 966-4 3222210	
	Garziz Trading for Bldg Mat & Decoration P.O. Box 3364, Madina	agarziz@yahoo.com	Tel: 966-4 826 14 90 / 822 76 36 Fax: 966-4 826 57 41	
	Sultan Garment Factory (RSC) P.O. Box 29912, Riyadh 11467	rscservice@dlignet.net.sa	Tel: 966-1 4055148 / 4042889 Fax: 966-1 4055148	
	Al Bawardi Tools & Hardware P.O. Box 112, Dammam 31411	asattar@albawardi.com nibanez@albawardi.com	Tel: 966-3 8330780 Ext. 24 Tel: 966-3 8348585 Ext. 24 Fax: 966-3 8336303	
	Al Bawardi Tools & Hardware P.O. Box 68, Riyadh 11411	rbaltao@albawardi.com asamad@albawardi.com	Tel: 966-1 4484999 Fax: 966-3 4487877	
	Al Bawardi Tools & Hardware P.O. Box 16905, Jeddah 21474	sharadij@albawardi.com fgaber@albawardi.com	Tel: 966-2 6444547 / 6439035 Tel: 966-2 6456095 Fax: 966-2 6439024	