

---

**DEWALT**®

---

***XR LI-ION***

**[www.DEWALT.com](http://www.DEWALT.com)**

**DCF6202**

---

English ( <b>original instructions</b> )	3
------------------------------------------	---

---

Русский ( <i>перевод с оригинала инструкции</i> )	7
---------------------------------------------------	---

---

Українська ( <i>переклад з оригінальної інструкції</i> )	14
----------------------------------------------------------	----

---

Fig. A

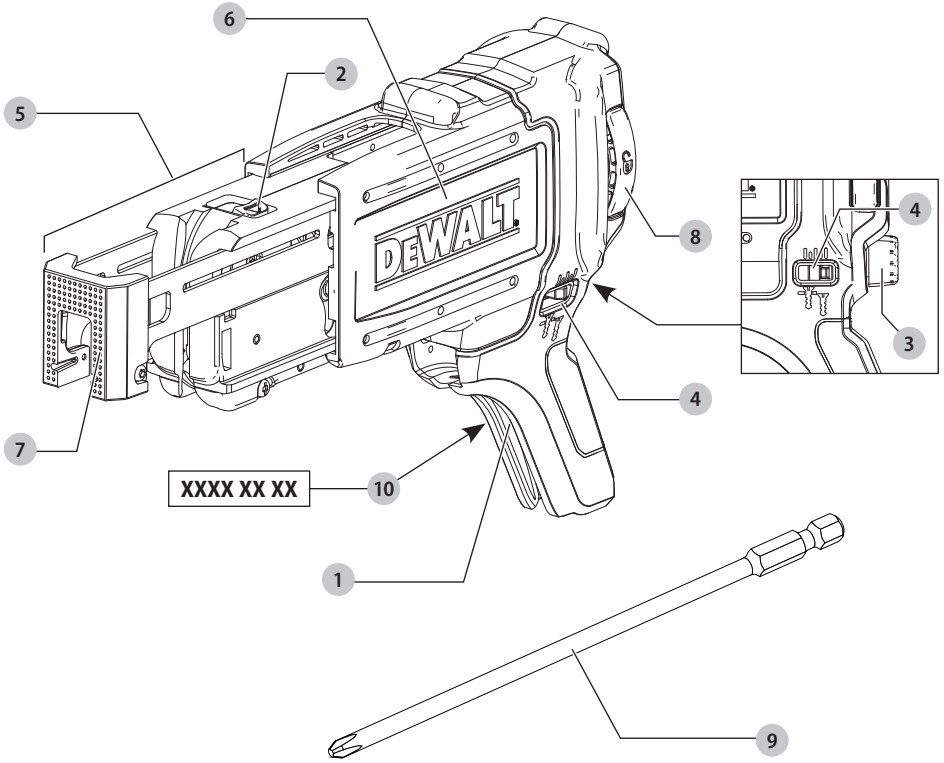


Fig. B

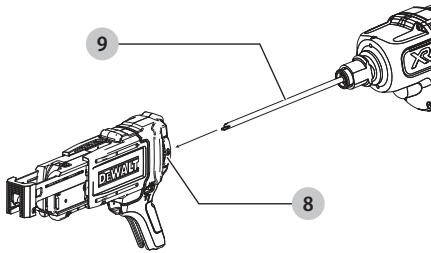


Fig. C

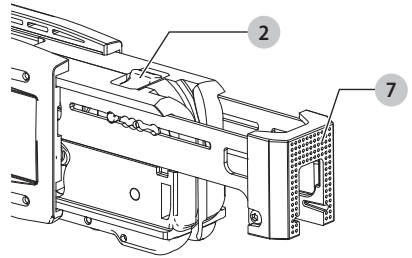


Fig. D

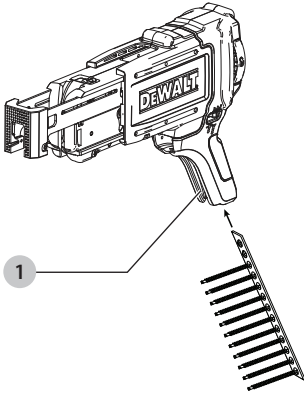


Fig. E

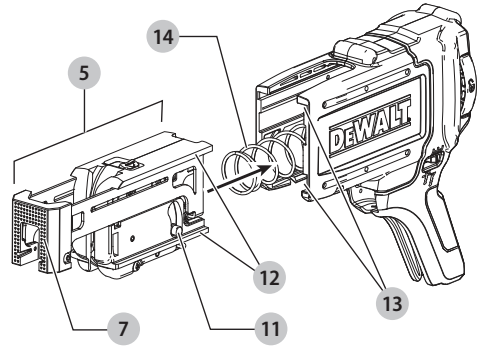
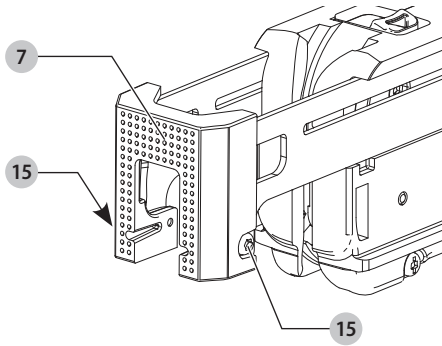


Fig. F



# COLLATED MAGAZINE ATTACHMENT

## DCF6202

### Congratulations!

You have chosen a DEWALT tool. Years of experience, thorough product development and innovation make DEWALT one of the most reliable partners for professional power tool users.

### Technical Data

		DCF6202
Screw length suitability	mm	25–57
Weight	kg	0.45



**WARNING:** To reduce the risk of injury, read the instruction manual.

### Definitions: Safety Guidelines

The definitions below describe the level of severity for each signal word. Please read the manual and pay attention to these symbols.



**DANGER:** Indicates an imminently hazardous situation which, if not avoided, **will** result in **death or serious injury**.



**WARNING:** Indicates a potentially hazardous situation which, if not avoided, **could** result in **death or serious injury**.



**CAUTION:** Indicates a potentially hazardous situation which, if not avoided, **may** result in **minor or moderate injury**.

**NOTICE:** Indicates a practice **not related to personal injury** which, if not avoided, **may** result in **property damage**.



Denotes risk of electric shock.



Denotes risk of fire.

### General Power Tool Safety Warnings



**WARNING:** Read all safety warnings, instructions, illustrations and specifications provided with this power tool. Failure to follow all instructions listed below may result in electric shock, fire and/or serious injury.

**SAVE ALL WARNINGS AND INSTRUCTIONS FOR FUTURE REFERENCE**

### Additional Specific Safety Rules for Collated Magazine Attachment

- The collated magazine is to only be used with the DEWALT DCF620 screwdriver.
- Observe all operating instructions and safety regulations contained in the manual for the screwdriver the magazine accessory is used with.
- Before use, ensure that the magazine accessory is properly attached to the tool.

- Avoid body contact with earthed or grounded surfaces such as pipes, radiators, ranges and refrigerators. There is an increased risk of electric shock if your body is earthed or grounded.
- Disconnect the battery pack from the power tool before making any adjustments, changing accessories, or storing power tools. Such preventive safety measures reduce the risk of starting the power tool accidentally.
- When driving screws, never reach into the magazine accessory. Keep hands clear of the advancing mechanism and the spot where the screw is being driven.
- Do not use the magazine accessory as a gripping surface.
- Hold power tool by insulated gripping surfaces, when performing an operation where the fastener may contact hidden wiring. Fasteners contacting a "live" wire may make exposed metal parts of the power tool "live" and could give the operator an electric shock.
- Use only screw strips that are suitable to this magazine. Only insert screw strips when the battery is disconnected from the screwdriver and the trigger is locked.



**WARNING:** We recommend the use of a residual current device with a residual current rating of 30mA or less.

### Residual Risks

In spite of the application of the relevant safety regulations and the implementation of safety devices, certain residual risks cannot be avoided. These are:

- Impairment of hearing.
- Risk of personal injury due to flying particles.
- Risk of burns due to accessories becoming hot during operation.
- Risk of personal injury due to prolonged use.

**SAVE THESE INSTRUCTIONS**

### Package Contents

The package contains:

- 1 Collated magazine attachment
  - 1 PR2 collated screwdriver bit
  - 1 Instruction manual
- Check for damage to the tool, parts or accessories which may have occurred during transport.
  - Take the time to thoroughly read and understand this manual prior to operation.

## Markings on Tool

The following pictograms are shown on the tool:



Read instruction manual before use.



Wear ear protection.



Wear eye protection.

## Date Code Position (Fig. A)

The date code **10**, which also includes the year of manufacture, is printed into the housing.

Example:

2020 XX XX  
Year of Manufacture

## Description (Fig. A)



**WARNING:** Never modify the power tool or any part of it. Damage or personal injury could result.

- 1 Screw guide
- 2 Screw length adjustment
- 3 Fine depth adjustment knob
- 4 Fine depth adjustment indicator
- 5 Advancing mechanism
- 6 Collated housing
- 7 Shoe
- 8 Release buttons
- 9 Collated screwdriver bit

## Intended Use

This collated drywall magazine is a professional attachment designed to be used with the DCF620 DeWALT screwdriver for professional driving of collated screws.

**DO NOT** use under wet conditions or in the presence of flammable liquids or gases.

**DO NOT** let children come into contact with the tool. Supervision is required when inexperienced operators use this tool.

- **Young children and the infirm.** This appliance is not intended for use by young children or infirm persons without supervision.
- This product is not intended for use by persons (including children) suffering from diminished physical, sensory or mental abilities; lack of experience, knowledge or skills unless they are supervised by a person responsible for their safety. Children should never be left alone with this product.

## ASSEMBLY AND ADJUSTMENTS



**WARNING:** To reduce the risk of serious personal injury, turn tool off and disconnect tool from power source before making any adjustments or removing/installing attachments or accessories. An accidental start-up can cause injury.

## Fitting the Collated Screwdriver Bit (Fig. A, B)

**NOTICE:** For proper operation only use a DeWALT collated screwdriver bit.

1. Remove the nose cone from the screwdriver.
2. Remove the mounted bit and bit holder from the screwdriver.

**NOTE:** Refer to and follow all instructions on changing bits and holders in your screwdriver manual.

3. Insert the provided collated screwdriving bit **9** into the bit holder until it clicks into place.

## Installing and Removing the Magazine from the Screwdriver (Fig. B)

With the the nose cone removed and provided driver bit **9** installed, push the magazine over the bit onto the screwdriver until the magazine clicks into place and ensure that it does not disengage.

**NOTE:** If necessary, rotate the attachment to locate properly on mount.

**NOTE:** Make sure the screwdriver control lever is set to forward rotation before use.

To remove the magazine, press and hold the release buttons **8** on both sides of the accessory and pull accessory off the screwdriver.

## OPERATION

### Instructions for Use



**WARNING:** Always observe the safety instructions and applicable regulations.



**WARNING:** To reduce the risk of serious personal injury, turn tool off and disconnect tool from power source before making any adjustments or removing/installing attachments or accessories. An accidental start-up can cause injury.

## Setting Magazine Screw Length (Fig. C)

This magazine is designed for 25–57 mm screw lengths. Failure to set the correct screw length can cause screws to not be driven accurately which can result in the failure to advance to the next screw or screws not being driven properly. The shoe has marked specific slots for each of the most common screws, however this attachment can still drive any size screw between 25–57 mm. To accommodate for less common screws adjust to the next longest slot.



**CAUTION:** Do not adjust while a screw strip is in the magazine.

1. Slide screw length adjustment tab **2** to the left.
2. Holding the screw length adjustment tab in place, adjust the shoe **7** to the desired length.
3. Release the screw length adjustment tab. Make sure that the locking pin has fully returned and is in the correct position.

## Inserting Collated Screw Strips (Fig. D)

**NOTICE:** Use only screw strips that are suitable to this magazine. Only insert screw strips when the screwdriver power is off and the trigger is locked.

Proper use of collated strips will reduce the risk of injury, reduce jams and prevents screws from damaging workpiece. For best performance use new, undamaged strips free of debris.

1. Take a collated strip, holding the plastic portion, and feed from the bottom of the screw guide ❶ and into the bottom of the advancing mechanism ❺.
2. Continue feeding the strip until the first screw is one slot below the driver bit.

## Setting Screw Depth (Fig. A)

Turn fine depth adjustment ❸ counterclockwise (as viewed from behind the tool) to make the screw head stop raised from the workpiece.

Turn fine depth adjustment ❸ clockwise to make the screw head stop deeper into the workpiece.

There is a fine depth adjustment indicator ❹ to show where in the adjustment range the tool is. When the slider is furthest from the tool the screw head will stop in the most raised position. When the slider is closest to the screwdriver tool the screw head will stop in its deepest position.

## Driving Screws (Fig. A)

1. Before driving screws, ensure screwdriver drive direction is switched to forward position.

**NOTE:** Always hold the screwdriver perpendicular to workpiece.

2. With the magazine installed on the screwdriver, position shoe ❷ on workpiece in location where screw is to be driven.
3. Switch the screwdriver on by holding the trigger in the on position. Continue to hold trigger or engage the trigger lock-on.
4. Apply pressure against workpiece. This will advance screw into alignment with screwdriver bit.
5. Continue to apply consistent pressure until screw is driven in completely and screwdriver clutches disengage.
6. Lift screwdriver from workpiece.

The magazine is designed to drive screws completely into workpiece only. Once screwdriver is lifted, adjustments to screw must be made by first removing magazine.

## Rotating the Collated Attachment

This attachment has the ability to rotate without being taken off the drywall screwdriver. To rotate, grip the top portion with one hand, while holding the drywall screwdriver with the other then rotate. An audible "click" indicates the magazine is in each of the available positions.

## MAINTENANCE

Your power tool has been designed to operate over a long period of time with a minimum of maintenance. Continuous satisfactory operation depends upon proper tool care and regular cleaning.



**WARNING:** To reduce the risk of serious personal injury, turn tool off and disconnect tool from power source before making any adjustments or removing/installing attachments or accessories. An accidental start-up can cause injury.



### Lubrication

Your power tool requires no additional lubrication.



### Cleaning



**WARNING:** Blow dirt and dust out of the main housing with dry air as often as dirt is seen collecting in and around the air vents. Wear approved eye protection and approved dust mask when performing this procedure.



**WARNING:** Never use solvents or other harsh chemicals for cleaning the non-metallic parts of the tool. These chemicals may weaken the materials used in these parts. Use a cloth dampened only with water and mild soap. Never let any liquid get inside the tool; never immerse any part of the tool into a liquid.

### For best performance clean magazine by:

1. Remove advancing mechanism from collated magazine (refer to **Removing and Installing the Advancing Mechanism** instructions).
2. Using compressed air and a clean cloth, clean all visible areas and cavities from dust. Wipe clean as needed on both the advancing mechanism and collated housing.
3. Reassemble and continue use.

## Removing and Installing the Advancing Mechanism (Fig. E)



**CAUTION:** The advancing mechanism is spring loaded. Two hands must be used to remove the advancing mechanism. The spring may eject from the mechanism.

### To Remove Advancing Mechanism

1. Remove collated magazine attachment from screwdriver.
2. Slightly depress advancing mechanism ❺ by pushing on the shoe ❷ with one hand.
3. Keeping pressure on the shoe ❷ pull down on the release lever ❶ so that the pins rotate out of the guide track.
4. Slowly release pressure from the shoe ❷ until the advancing mechanism is out of the collated housing ❻.

### To Install Advancing Mechanism

1. With the collated magazine attachment removed from screwdriver, align the tabs **12** on the shoe with the slots **13** in the collated housing.
2. Push in slightly, then align the spring **14** with the pocket in the advancing mechanism.
3. Push advancing mechanism in until you hear the “click” of the service button. The release lever **11** should click into place in its slot. You may need to pull down on the lever to help it if it does not click in place.

**NOTE:** The release lever **11** should be in the down position (as shown in Figure E) before the advancing mechanism is installed. If in the up position, the advancing mechanism will be locked in place.

4. Cycle the advancing mechanism several times by hand to ensure proper function before installing it onto your screwdriver for use.

### Removable Shoe (Fig. F)

Removing the shoe allows closer access to corners.

1. To remove shoe **7** on front of the unit, remove the two screws **15** using a T10 Torx. Pull shoe straight off to remove.
2. To reinstall, push shoe onto advancing mechanism until screw holes line up. Reinstall screws.

### Optional Accessories



**WARNING:** *Since accessories, other than those offered by DEWALT, have not been tested with this product, use of such accessories with this tool could be hazardous. To reduce the risk of injury, only DEWALT recommended accessories should be used with this product.*

Consult your dealer for further information on the appropriate accessories.

- PH2 Extended Bit x 5 - DT20425

### Protecting the Environment



Separate collection. Products marked with this symbol must not be disposed of with normal household waste.

Products contain materials that can be recovered or recycled reducing the demand for raw materials.

Please recycle electrical products according to local provisions. Further information is available at [www.2helpU.com](http://www.2helpU.com).



# ЛЕНТОЧНЫЙ МАГАЗИН

## DCF6202

### Поздравляем!

Вы приобрели инструмент DeWALT. Многолетний опыт, тщательная разработка изделий и инновации делают компанию DeWALT одним из самых надёжных партнеров для пользователей профессионального электроинструмента.

### Технические характеристики

		DCF6202
Подходящая длина шурупа	мм	25–57
Вес	кг	0,45



**ВНИМАНИЕ:** Во избежание риска получения травм ознакомьтесь с инструкцией.

### Обозначения: правила техники безопасности

Ниже описывается уровень опасности, обозначаемый каждым из предупреждений. Прочитайте руководство и обратите внимание на данные символы.



**ОПАСНО:** Обозначает опасную ситуацию, которая неизбежно приведет к **серьезной травме или смертельному исходу**, в случае несоблюдения соответствующих мер безопасности.



**ВНИМАНИЕ:** Указывает на потенциально опасную ситуацию, которая, в случае несоблюдения соответствующих мер безопасности, может привести к **серьезной травме или смертельному исходу**.



**ПРЕДУПРЕЖДЕНИЕ:** Указывает на потенциально опасную ситуацию, которая, в случае несоблюдения соответствующих мер безопасности **может** стать причиной травм **средней или легкой степени тяжести**.

**ПОЯСНЕНИЕ:** Указывает на практики, использование которых не связано с получением травмы, но если ими пренебречь, могут привести к **порче имущества**.



Указывает на риск поражения электрическим током.



Указывает на риск возгорания.

### Общие правила техники безопасности при использовании электроинструментов



**ВНИМАНИЕ:** Прочтите все правила техники безопасности, инструкции, иллюстрации и спецификации по данному электроинструменту. Несоблюдение всех приведенных ниже инструкций может стать причиной поражения электрическим током, возгорания и/или тяжелой травмы.

### СОХРАНИТЕ ВСЕ ИНСТРУКЦИИ ДЛЯ ПОСЛЕДУЮЩЕГО ИСПОЛЬЗОВАНИЯ

### Дополнительные специальные правила техники безопасности для ленточных магазинов

- Ленточный магазин предназначен для использования только с шуруповертом DeWALT DCF6202.
- Соблюдайте все инструкции по эксплуатации и правила техники безопасности, содержащиеся в руководстве к шуруповерту, с которым используется ленточный магазин.
- Перед использованием убедитесь, что ленточный магазин правильно установлен на инструмент.
- Избегайте контакта с заземленными поверхностями, такими как трубы, радиаторы и холодильники. Если вы будете заземлены, увеличивается риск поражения электрическим током.
- Перед выполнением любых настроек, сменой аксессуаров или прежде чем убрать инструмент на хранение, извлеките из него батарею. Такие превентивные меры безопасности сокращают риск случайного включения электроинструмента.
- При заворачивании шурупов ни в коем случае не касайтесь магазина. Держите руки подальше от механизма подачи и места, куда заворачивается шуруп.
- Не удерживайте инструмент за магазин.
- Удерживайте инструмент за изолированные поверхности захватывания при выполнении работ, во время которых имеется вероятность контакта крепежного элемента со скрытой электропроводкой. Если вы держитесь за металлические детали инструмента, в случае соприкосновения с находящимся под напряжением провода возможно поражение оператора электрическим током.
- Используйте только ленты шурупов, подходящие для этого магазина. Вставляйте ленты шурупов только тогда, когда аккумуляторная батарея извлечена из шуруповерта, а курковый пусковой выключатель заблокирован.

### Остаточные риски



**ОСТОРОЖНО!** Рекомендуется использовать устройство защитного отключения (УЗО) с током утечки до 30 мА.

Несмотря на соблюдение соответствующих инструкций по технике безопасности и использование предохранительных устройств, некоторые остаточные риски невозможно полностью исключить. А именно:

- ухудшение слуха;
- риск травм от разлетающихся частиц;

- *риск получения ожогов в результате нагревания инструмента в процессе работы;*
- *риск получения травмы в результате продолжительной работы.*

## СОХРАНИТЕ НАСТОЯЩЕЕ РУКОВОДСТВО

### Комплектация поставки

В упаковку входят:

- 1 Ленточный магазин
  - 1 Ленточная отверточная насадка PR2
  - 1 Руководство по эксплуатации
- *Проверьте инструмент, детали и дополнительные принадлежности на наличие повреждений, которые могли произойти во время транспортировки.*
  - *Перед эксплуатацией внимательно прочтите данное руководство.*

### Маркировка инструмента

На инструмент нанесены следующие обозначения:



Перед началом работы прочтите руководство по эксплуатации.



Используйте защитные наушники.



Используйте защитные очки.

### Место положения кода даты (Рис. [Fig.] А)

Код даты **10**, который также включает в себя год изготовления, отштампован на поверхности корпуса инструмента.

Пример:

2020 XX XX  
Год изготовления

### Описание (Рис. А)



**ВНИМАНИЕ:** Никогда не вносите изменения в конструкцию электроинструмента или какой-либо его части. Это может привести к повреждению или травме.

- 1 Направляющая для шурупа
- 2 Регулировка длины шурупа
- 3 Рукоятка тонкой настройки глубины заворачивания
- 4 Индикатор тонкой настройки глубины заворачивания
- 5 Механизм подачи
- 6 Корпус
- 7 Подошва
- 8 Кнопки разблокировки
- 9 Ленточная отверточная насадка

### Назначение

Данный ленточный магазин является профессиональным приспособлением, разработанным для использования с

шуруповертом DCF620 DeWALT для заворачивания шурупов в ленте.

**НЕ ИСПОЛЬЗУЙТЕ** в условиях повышенной влажности или поблизости от легковоспламеняющихся жидкостей или газов.

**НЕ РАЗРЕШАЙТЕ** детям прикасаться к инструменту.

Использование инструмента неопытными пользователями должно происходить под контролем опытного лица.

- **Малолетние дети и люди с ограниченными физическими возможностями.** Этот инструмент не предназначен для использования малолетними детьми или людьми с ограниченными физическими возможностями кроме как под контролем лица, отвечающего за их безопасность.
- Данный инструмент не предназначен для использования лицами (включая детей) с ограниченными физическими, психическими и умственными возможностями, не имеющими опыта, знаний или навыков работы с ним, если они не находятся под наблюдением лица, ответственного за их безопасность. Никогда не оставляйте детей без присмотра с этим инструментом.

### СБОРКА И РЕГУЛИРОВКА



**ВНИМАНИЕ:** Чтобы снизить риск получения серьезных травм, выключайте инструмент и отключайте его от сети перед тем, как выполнять какие-либо регулировки или снимать/устанавливать приспособления или дополнительные принадлежности. Случайный запуск может привести к травме.

### Установка ленточной отверточной насадки (Рис. А, В)

**ПРИМЕЧАНИЕ:** Для правильной работы используйте только ленточную отверточную насадку DeWALT.

1. Снимите с шуруповерта коническую носовую часть.
2. Снимите с шуруповерта установленную насадку и держатель насадок.  
**ПРИМЕЧАНИЕ:** Прочтите и следуйте указаниям по смене насадок и держателей насадок в руководстве по эксплуатации вашего шуруповерта.
3. Вставьте входящую в комплект поставки ленточную отверточную насадку **9** в держатель насадок, пока она не защелкнется на месте.

### Установка и извлечение магазина из шуруповерта (Рис. В)

Сняв коническую носовую часть и установив входящую в комплект поставки отверточную насадку **9**, прижмите магазин к насадке шуруповерта, пока он не защелкнется на месте, и проверьте надежность фиксации.

**ПРИМЕЧАНИЕ:** При необходимости поверните приспособление, чтобы оно правильно расположилось на креплении.

**ПРИМЕЧАНИЕ:** Перед использованием убедитесь, что рычаг управления шурупверта установлен на вращение вперед.

Чтобы снять магазин, нажмите и удерживайте кнопки разблокировки **8**, расположенные с обеих сторон приспособления, и потянув, снимите приспособление с шурупверта.

## ЭКСПЛУАТАЦИЯ

### Инструкции по использованию



**ВНИМАНИЕ:** Всегда следуйте указаниям действующих норм и правил безопасности.



**ВНИМАНИЕ:** Чтобы снизить риск получения серьезных травм, выключайте инструмент и отключайте его от сети перед тем, как выполнять какие-либо настройки или снимать/устанавливать насадки или принадлежности. Случайный запуск может привести к травме.

### Установка длины шурупов в магазине (Рис. С)

Данный магазин предназначен для шурупов длиной 25–57 мм. Неспособность установить правильную длину шурупа может привести к неточному заворачиванию, что, в свою очередь, может привести к невозможности перехода к следующему шурупу или неправильному заворачиванию шурупов. На подошве имеются специальные пазы для каждого из наиболее распространенных типа шурупов, однако это приспособление по-прежнему может заворачивать шурупы любой длины от 25 до 57 мм. Чтобы приспособиться к менее распространенным типам шурупов, установите следующий по длине паз.



**ПРЕДУПРЕЖДЕНИЕ:** Не выполняйте регулировку при нахождении в магазине ленты шурупов.

1. Сдвиньте язычок регулировки длины шурупа **2** влево.
2. Удерживая язычок регулировки длины шурупа на месте, отрегулируйте подошву **7** до желаемой длины.
3. Отпустите язычок регулировки длины шурупа. Убедитесь, что стопорный штифт полностью вернулся на место и находится в правильном положении.

### Установка лент шурупов (Рис. D)

**ПРИМЕЧАНИЕ:** Используйте только ленты шурупов, подходящие для этого магазина. Вставляйте ленты шурупов только тогда, когда шурупверт выключен, а курковый пусковой выключатель заблокирован.

Правильное использование лент шурупов снизит риск получения травмы, уменьшит застревание и предотвратит повреждение заготовки шурупами. Для наилучшей производительности используйте новые неповрежденные ленты, очищенные от мусора.

1. Возьмите ленту, удерживая ее за пластиковую часть, и протяните ее снизу направляющей для шурупов **1** в нижнюю часть механизма подачи **5**.

2. Продолжайте протягивать ленту, пока первый шуруп не окажется на один паз ниже отверточной насадки.

### Регулировка глубины заворачивания (Рис. A)

Поверните рукоятку тонкой настройки **3** против часовой стрелки (если смотреть сзади инструмента), чтобы головка шурупа выступала над заготовкой.

Поверните рукоятку тонкой настройки **3** по часовой стрелке, чтобы шуруп входил глубже в заготовку.

Индикатор тонкой настройки глубины заворачивания **4** покажет текущие настройки инструмента. Когда ползунок находится в самом дальнем положении от инструмента, головка шурупа останавливается в наиболее поднятом положении. Когда ползунок находится в самом близком положении от инструмента, головка шурупа останавливается в наиболее глубоком положении.

### Заворачивание шурупов (Рис. A)

1. Перед заворачиванием убедитесь, что на шурупверте установлено направление вращения вперед.

**ПРИМЕЧАНИЕ:** Всегда удерживайте шурупверт перпендикулярно заготовке.

2. Установив в шурупверт магазин, поместите подошву **7** на заготовку в месте заворачивания шурупа.
3. Включите шурупверт, удерживая курковый пусковой выключатель в положение включения. Продолжайте удерживать курковый пусковой выключатель или задействуйте блокировку выключателя.
4. Слегка надавите на заготовку. Это продвинет шуруп, совмещая его с отверточной насадкой.
5. Продолжайте надавливать, пока шуруп не будет полностью ввинчен и муфты шурупверта не выйдут из зацепления.
6. Поднимите шурупверт с заготовки.

Магазин предназначен для только для полного заворачивания в заготовку. Подняв шурупверт, необходимо отрегулировать глубину заворачивания, предварительно сняв магазин.

### Поворачивание ленточного приспособления

Это приспособление может вращаться, не снимаясь с шурупверта для гипсокартона. Чтобы повернуть, одной рукой возьмитесь за верхнюю часть, другой рукой придерживая шурупверт для гипсокартона, затем поверните. Слышимый щелчок указывает на то, что магазин находится на каждой из доступных позиций.

### ТЕХНИЧЕСКОЕ ОБСЛУЖИВАНИЕ

Электроинструмент имеет длительный срок эксплуатации и требует минимальных затрат на техобслуживание. Для длительной безотказной работы необходимо обеспечить правильный уход за инструментом и его регулярную очистку.



**ВНИМАНИЕ:** Чтобы снизить риск получения серьезных травм, выключайте инструмент и отключайте его от сети перед тем, как выполнять какие-либо настройки или снимать/устанавливать насадки или принадлежности. Убедитесь, что курковый переключатель находится в положении Вкл. Непреднамеренный запуск инструмента может привести к получению травмы.



## Смазка

Ваш электроинструмент не требует дополнительной смазки.



## Чистка



**ВНИМАНИЕ:** Выдувайте грязь и пыль из корпуса сухим сжатым воздухом по мере видимого скопления грязи внутри и вокруг вентиляционных отверстий. Выполняйте очистку, надев средство защиты глаз и респиратор утвержденного типа.



**ВНИМАНИЕ:** Никогда не используйте растворители или другие агрессивные химические средства для очистки неметаллических деталей инструмента. Эти химикаты могут ухудшить свойства материалов, примененных в данных деталях. Используйте ткань, смоченную в воде с мягким мылом. Не допускайте попадания какой-либо жидкости внутрь инструмента; ни в коем случае не погружайте какую-либо часть инструмента в жидкость.

### Для лучшей производительности чистите магазин:

1. Извлеките из магазина механизм подачи (см. в разделе «Снятие и установка механизма подачи» инструкции).
2. Используя сжатый воздух и чистую ткань, очистите все видимые участки и полости от пыли. При необходимости протрите как механизм подачи, так и корпус магазина.
3. Соберите и продолжайте использование.

### Снятие и установка механизма подачи (Рис. Е)



**ПРЕДУПРЕЖДЕНИЕ:** Механизм подачи подпружинен. Для снятия механизма подачи необходимо использовать обе руки. Пружина может выскочить из механизма.

### Чтобы снять механизм подачи

1. Снимите ленточный магазин с шурупверта.
2. Слегка надавите на механизм подачи **5**, одной рукой нажав на подошву **7**.
3. Продолжая надавливать на подошву **7**, опустите вниз отпирающий рычаг **11**, чтобы штифты вышли из направляющей.

4. Медленно ослабьте давление на подошву **7**, пока механизм подачи не выйдет из корпуса магазина **6**.

### Чтобы установить механизм подачи

1. Сняв ленточный магазин с шурупверта, совместите язычки **12** на подошве с пазами **13** на корпусе магазина.
2. Слегка надавите, затем совместите пружину **14** с гнездом в механизме подачи.
3. Надавите на механизм подачи, пока не услышите щелчок технической кнопки. Отпирающий рычаг **11** должен защелкнуться в своем гнезде. Возможно, вам придется потянуть рычаг вниз, чтобы помочь ему защелкнуться на месте.  
**ПРИМЕЧАНИЕ:** Перед установкой механизма подачи отпирающий рычаг **11** должен находиться в нижнем положении (как показано на Рисунке Е). Если он находится в верхнем положении, механизм подачи будет заблокирован на месте.
4. Перед установкой на шурупверт для использования несколько раз проверните механизм подачи вручную, чтобы убедиться в его правильной работе.

### Съемная подошва (Рис. F)

Снятие подошвы обеспечит более близкий доступ к углам.

1. Чтобы снять подошву **7** с передней части инструмента, удалите два винта **15**, используя звездообразную отвертку T10. Чтобы снять подошву, потяните за нее.
2. Чтобы установить на место, прижмите подошву к механизму подачи, совмещая отверстия для винтов. Установите винты.

### Дополнительные принадлежности



**ВНИМАНИЕ:** Поскольку принадлежности, отличные от тех, которые предлагает DEWALT, не проходили тесты на данном изделии, то использование этих принадлежностей может привести к опасной ситуации. Во избежание риска получения травмы, с данным продуктом должны использоваться только рекомендованные DEWALT дополнительные принадлежности.

По вопросу приобретения дополнительных принадлежностей обращайтесь к Вашему дилеру.

- Насадки PH2 5 шт. - DT20425

### Защита окружающей среды



Отдельная утилизация. Изделия с данным символом на маркировке запрещается утилизировать с обычными бытовыми отходами.

Изделия содержат материалы, которые могут быть извлечены или переработаны, снижая потребность в исходном сырье. Пожалуйста, утилизируйте электрические изделия в соответствии с местными нормами. Дополнительная информация доступна по адресу [www.2helpU.com](http://www.2helpU.com).



**Приложение к руководству по эксплуатации электрооборудования для определения месяца производства по номеру текущей календарной недели года**

Электрооборудование торговых марок "Dewalt", "Stanley", "Stanley FatMAX", "BLACK+DECKER".

Директивы 2014/30/EU ЕВРОПЕЙСКОГО ПАРЛАМЕНТА И СОВЕТА от 26 февраля 2014 г. "О гармонизации законодательства Государств-членов ЕС в области электромагнитной совместимости", 2006/42/ЕС ЕВРОПЕЙСКОГО ПАРЛАМЕНТА И СОВЕТА от 17 мая 2006 г. "О машинах и оборудовании"; 2014/35/EU ЕВРОПЕЙСКОГО ПАРЛАМЕНТА И СОВЕТА от 26 февраля 2014 г. "О гармонизации законодательства государств-членов в области размещения на рынке электрооборудования, предназначенного для использования в определенных пределах напряжения". Серийный выпуск.

**ТОВАР СЕРТИФИЦИРОВАН**

Орган по сертификации "РОСТЕСТ- Москва", Адрес: 119049, г. Москва, улица Житная, д. 14, стр. 1; 117418, Москва, Нахимовский просп., 31 (фактический), Телефон: (495) 1292311, (495) 6682893, факс: (495) 6682893, E-mail: [office@rostest.ru](mailto:office@rostest.ru)

Изготовитель: Изготовитель: Блэк энд Деккер Холдингс ГмбХ, Германия, 65510, Идштайн, ул. Блэк энд Деккер, 40, тел. +496126212790.

Уполномоченное изготовителем юр.лицо:

ООО "Стэчли Блэк энд Деккер", 117485, город Москва, улица Обручева, дом 30/1, строение 2  
Телефон: + 7 (495) 258-3981, факс: + 7 (495) 258-3984, E-mail: [inbox@dewalt.com](mailto:inbox@dewalt.com)

Сведения о импортере указаны в сопроводительной документации и/или на упаковке

**Хранение.**

Необходимо хранить в сухом месте, вдали от источников повышенных температур и воздействия солнечных лучей. При хранении необходимо избегать резкого перепада температур. Хранение без упаковки не допускается

**Срок службы.**

Срок службы изделия составляет 5 лет. Не рекомендуется к эксплуатации по истечении 5 лет хранения с даты изготовления без предварительной проверки.

Дата изготовления (код даты) указана на корпусе инструмента. Код даты, который также включает год изготовления, отштампован на поверхности корпуса изделия.

Пример:

2014 46 XX, где 2014 –год изготовления, 46–неделя изготовления. Определить месяц изготовления по указанной неделе изготовления можно согласно приведенной ниже таблице.

**Транспортировка.**

Категорически не допускается падение и любые механические воздействия на упаковку при транспортировке. При разгрузке/погрузке не допускается использование любого вида техники, работающей по принципу зажима упаковки.

**Перечень критических отказов, возможные ошибочные действия персонала.**

Не допускается эксплуатация изделия:

- При появлении дыма из корпуса изделия
- При поврежденном и/или оголенном сетевом кабеле
- при повреждении корпуса изделия, защитного кожуха, рукоятки
- при попадании жидкости в корпус
- при возникновении сильной вибрации
- при возникновении сильного искрения внутри корпуса

**Критерии предельных состояний.**

- При поврежденном и/или оголенном сетевом кабеле
- при повреждении корпуса изделия

Месяц	Январь	Февраль	Март	Апрель	Май	Июнь	Июль	Август	Сентябрь	Октябрь	Ноябрь	Декабрь	Год производства
Неделя	1	5	9	14	18	23	27	31	36	40	44	49	2018
	2	6	10	15	19	24	28	32	37	41	45	50	
	3	7	11	16	20	25	29	33	38	42	46	51	
	4	8	12	17	21	26	30	34	39	43	47	52	
			13		22			35			48		
Неделя	1	6	10	14	18	23	27	31	36	40	45	49	2019
	2	7	11	15	19	24	28	32	37	41	46	50	
	3	8	12	16	20	25	29	33	38	42	47	51	
	4	9	13	17	21	26	30	34	39	43	48	52	
	5				22			35		44			
Неделя	1	6	10	14	19	23	27	32	36	40	45	49	2020
	2	7	11	15	20	24	28	33	37	41	46	50	
	3	8	12	16	21	25	29	34	38	42	47	51	
	4	9	13	17	22	26	30	35	39	43	48	52	
	5				18		31			44			
Неделя	2	6	10	14	19	23	27	32	36	41	45	49	2021
	3	7	11	15	20	24	28	33	37	42	46	50	
	4	8	12	16	21	25	29	34	38	43	47	51	
	5	9	13	17	22	26	30	35	39	44	48	52	
					18		31		40			1	
Неделя	2	6	10	15	19	23	28	32	36	41	45	49	2022
	3	7	11	16	20	24	29	33	37	42	46	50	
	4	8	12	17	21	25	30	34	38	43	47	51	
	5	9	13	18	22	26	31	35	39	44	48	52	
				14		27			40			1	





## ГАРАНТИЙНЫЙ ТАЛОН



1. Поздравляем Вас с покупкой высококачественного изделия DEWALT и выражаем признательность за Ваш выбор.
2. При покупке изделия требуйте проверки его комплектности и исправности в Вашем присутствии, инструкцию по эксплуатации и заполненный Гарантийный талон на русском языке. В гарантийном талоне должны быть внесены: модель, дата продажи, серийный номер, дата производства инструмента, название, печать и подпись торговой организации. При отсутствии у Вас правильно заполненного Гарантийного талона, а также несоответствия указанных в нем данных, мы будем вынуждены отклонить Ваши претензии по качеству данного изделия.
3. Во избежание недоразумений, убедительно просим Вас перед началом работы с изделием внимательно ознакомиться с инструкцией по его эксплуатации. Правовой основой настоящих гарантийных условий является действующее Законодательство. Гарантийный срок на данное изделие составляет 36 месяцев и исчисляется со дня продажи. В случае устранения недостатков изделия, гарантийный срок продлевается на период его нахождения в ремонте. Срок службы изделия составляет 5 лет со дня продажи.
4. В случае возникновения каких-либо проблем в процессе эксплуатации изделия рекомендуем Вам обращаться только к уполномоченные сервисные центры DEWALT, адреса и телефоны которых Вы сможете найти на сайте [www.2helpU.com](http://www.2helpU.com) или узнать в магазине. Наши сервисные станции - это не только квалифицированный ремонт, но и широкий ассортимент запчастей и принадлежностей.
5. Производитель рекомендует проводить периодическую проверку и техническое обслуживание изделия в уполномоченных сервисных центрах.
6. Наши гарантийные обязательства распространяются только на неисправности, выявленные в течение гарантийного срока и вызванные дефектами производства и / или материалов.
7. Гарантийные условия не распространяются на неисправности изделия, возникшие в результате:
  - 7.1. Несоблюдения пользователем предписаний инструкции по эксплуатации изделия, применения изделия не по назначению, неправильной хранения, использования принадлежностей, расходных материалов и запчастей, не предусмотренных производителем.
  - 7.2. Механического повреждения (сколы, трещины и разрушения) внутренних и внешних деталей изделия, основных и вспомогательных рукояток, сетевого электрического кабеля, вызванного внешним ударным или любым иным воздействием.
  - 7.3. Попадания в вентиляционные отверстия и проникновение внутрь изделия посторонних предметов, материалов или веществ, не являющихся отходами, сопровождающими применение изделия по назначению, такими как: стружка, опилки, песок, и пр.
  - 7.4. Воздействия на изделие неблагоприятных атмосферных и иных внешних факторов, таких как дождь, снег, повышенная влажность, нагрев, агрессивные среды, несоответствие параметров питающей электросети, указанных на инструменте.
  - 7.5. Стихийного бедствия. Повреждение или утрата изделия, связанное с непредвиденными бедствиями, стихийными явлениями, в том числе вследствие действия непреодолимой силы (пожар, молния, потоп и другие природные явления), а также вследствие перепадов напряжения в электросети и других причин, которые находятся вне контроля производителя.
8. Гарантийные условия не распространяются:
  - 8.1. На инструменты, подвергавшиеся вскрытию, ремонту или модификации вне уполномоченного сервисного центра.
  - 8.2. На детали и узлы, имеющие следы естественного износа, такие как: приводные ремни и колеса, угольные щетки, смазка, подшипники, зубчатое зацепление редукторов, резиновые уплотнения, сальники, направляющие ролики, муфты сцепления, бойки, толкатели, стволы, и т.п.
  - 8.3. На сменные и расходные части: цанги, зажимные гайки и фланцы, фильтры, ножи, шлифовальные подошвы, цепи, звездочки, пильные шины, защитные кожухи, пилки, абразивы, пильные и абразивные диски, фрезы, сверла, буры и т.п.
  - 8.4. На неисправности, возникшие в результате перегрузки инструмента (как механической, так и электрической), повлекшей выход из строя одновременно двух и более деталей и узлов, таких как ротора и статора, обеих обмоток статора, ведомой и ведущей шестерни редуктора или других узлов и деталей. К безусловным признакам перегрузки изделия относятся, помимо прочего: появление цветов побелости, деформация или оплавление деталей и узлов изделия, потемнение или обугливание изоляции проводов электродвигателя под воздействием высокой температуры.

Товар получен в исправном состоянии, без видимых повреждений, в полной комплектации, проверен в моем присутствии, претензий по качеству товара не имею. С условиями гарантийного обслуживания ознакомлен и согласен.

Ф. И. О. и подпись покупателя \_\_\_\_\_

**Уважаемые клиенты, наша сеть авторизованных сервисных центров постоянно расширяется. Актуальную информацию об обслуживании в интересующем вас городе вы можете узнать на сайте**

**[www.2helpU.com](http://www.2helpU.com)**

**Информация об инструменте**

Наименование инструмента	
Модель	
Наименование продавца	
Дата продажи	

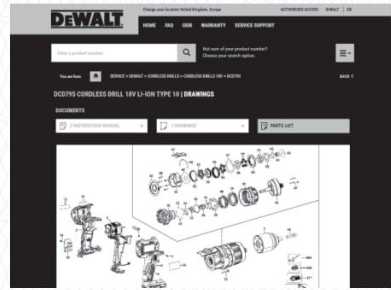
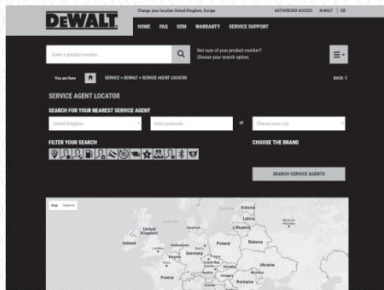
М.П.  
Продавца

**Серийный номер / Дата производства**

Инструмент	
Зарядное устройство	
Аккумулятор 1	
Аккумулятор 2	

**На сайте [www.2helpU.com](http://www.2helpU.com) доступны следующие функции:**

- Список авторизованных сервисных центров
- Удобный поиск ближайшего сервисного центра
- Руководство по эксплуатации
- Технические характеристики
- Список деталей и запасных частей
- Схема сборки инструмента



**Также данную информацию вы можете  
получить, позвонив по телефону:  
8(800) 1000 876**

**ОТМЕТКА О ПРОВЕДЕНИИ СЕРВИСНОГО ОБСЛУЖИВАНИЯ**

№1	№2	№3	№4
№ заказа	№ заказа	№ заказа	№ заказа
Дата поступления	Дата поступления	Дата поступления	Дата поступления
Дата ремонта	Дата ремонта	Дата ремонта	Дата ремонта
Печать и подпись сервисного центра	Печать и подпись сервисного центра	Печать и подпись сервисного центра	Печать и подпись сервисного центра



# НАСАДКА ОБОЙМИ ПОДАЧІ ГВИНТІВ

## DCF6202

### Вітаємо вас!

Ви обрали інструмент виробництва компанії DEWALT. Ретельна розробка продукції, багаторічний досвід фірми у виробництві інструментів, різні вдосконалення, все це зробило інструменти DEWALT є одними із найнадійніших помічників для тих, хто використовує електричні інструменти у своїй професії.

### Технічні дані

		DCF6202
Нормативна довжина гвинта	мм	25-57
Маса	кг	0,45



**ПОПЕРЕДЖЕННЯ:** Уважно прочитайте керівництво з експлуатації для зниження ризику отримання травм.

### Позначення: інструкції з техніки безпеки

Умовні позначення, наведені нижче, описують рівень важливості кожної попереджувальної вказівки. Прочитайте керівництво з експлуатації та зверніть увагу на символи, наведені нижче.



**НЕБЕЗПЕЧНО:** Указує на безпосередню загрозу, яка, якщо її не уникнути, призведе до смерті або серйозної травми.



**ПОПЕРЕДЖЕННЯ:** Вказує на потенційну загрозу, ігнорування якої може призвести до смерті або серйозної травми.



**УВАГА:** Вказує на потенційну загрозу, ігнорування якої може призвести до травми легкої або середньої тяжкості.

**ПРИМІТКА:** Вказує на ситуацію, не пов'язану з особою травмою, ігнорування цієї ситуації може призвести до пошкодження майна.



Вказує на ризик ураження електричним струмом.



Вказує на ризик виникнення пожежі.

### Загальні правила безпеки при експлуатації електричного інструмента



**УВАГА!** Ознайомтеся з усіма попередженнями, інструкціями з техніки безпеки, зображеннями та специфікаціями, які поставляються з цим електричним інструментом. Невиконання наведених нижче інструкцій, може призвести до ураження електричним струмом, пожежі та/або серйозних травм.

### ЗБЕРЕЖІТЬ УСІ ПОПЕРЕДЖЕННЯ ТА ІНСТРУКЦІЇ ДЛЯ ВИКОРИСТАННЯ В МАЙБУТЬОМУ

### Додаткові правила безпеки при використанні насадки обойми подачі гвинтів

- Обойма подачі гвинтів може використовуватись виключно з шурупокрутом моделі DEWALT DCF620.
- Дотримуйтеся усіх інструкцій з експлуатації та правил техніки безпеки, що містяться в посібнику з експлуатації шурупокрута та насадки обойми, що поставляються в комплектації.
- Перед використанням переконайтеся, що насадка обойми прикріплена належним чином до інструмента.
- Уникайте контакту тіла з заземленими поверхнями, такими як труби, радіатори, плити та холодильники. Якщо ваше тіло заземлене, збільшується ризик ураження електричним струмом.
- Відключіть акумулятор від джерела живлення перед тим, як робити будь-які налаштування, зміни додаткового обладнання чи зберігати електричні пристрої. Ці профілактичні заходи зменшують ризик випадкового запуску електричного інструмента.
- В процесі руху гвинтів ніколи не торкайтесь обойми подачі та її механізму. Не торкайтесь рукою рухомого механізму та ділянки, куди загвинчуються гвинти.
- Не використовуйте механізм обойми як поверхню захвату.
- Під час виконання операції, коли кріпильний елемент може контактувати зі схованою електропроводкою, тримайте електроінструмент на ізольованій поверхні. Контакт кріпильних елементів з проводкою під напругою може призвести до появи напруги в інструменті та ураження оператора електричним струмом.
- Використовуйте виключно гвинти, придатні для експлуатації з даною моделлю обойми. Вставляйте стрічки з гвинтами лише тоді, коли акумулятор від'єднаний від шурупокрута, а тригер заблокований.

### Залишкові ризики



**УВАГА:** Ми рекомендуємо використовувати пристрій з керуванням диференційним струмом з номінальним значенням диференційного струму 30 mA або менше.

Дотримання всіх правил техніки безпеки та застосування пристроїв безпеки не гарантує уникнення певних залишкових ризиків. До такого переліку належать:

- Порушення слуху.
- Ризик тілесних ушкоджень через частинки, які розлітаються.
- Ризик опіків через нагрівання приладдя під час роботи.
- Ризик тілесних ушкоджень через занадто тривале використання.



## ЗБЕРІГАЙТЕ ЦІ ІНСТРУКЦІЇ

### Комплект поставки

До комплекту входить:

- 1 Насадка обойми подачі гвинтів
- 1 PR2 наконечник шурупокрута з обоймою подачі
- 1 Посібник з експлуатації
- *Перевірте інструмент, деталі та приладдя на пошкодження, що могли виникнути під час транспортування.*
- *Перед використанням уважно прочитайте та повністю зрозумійте це керівництво.*

### Маркування на інструменті

На інструменті є наступні піктограми:



Прочитайте інструкції цього керівництва перед використанням.



Використовуйте засоби захисту слуху.



Використовуйте засоби захисту очей.

### Розташування коду дати (Рис. [Fig.] A)

Код дати **10**, що включає також рік виробництва, зазначений на корпусі.

Приклад:

2020 XX XX  
Рік виробництва

### Опис (рис. А)



**УВАГА!** Ніколи не модифікуйте електричні інструменти або їх деталі. Це може призвести до пошкодження майна або тілесних ушкоджень.

- 1 Направляюча руху гвинта
- 2 Регулятор довжини гвинта
- 3 Ручка тонкого регулювання глибини
- 4 Індикатор тонкого регулювання глибини
- 5 Механізм подачі
- 6 Корпус обойми подачі гвинтів
- 7 Опорна колодка
- 8 Кнопки деблокування
- 9 Наконечник шурупокрута з обоймою подачі

### Сфера застосування

Насадка обойми подачі гвинтів є пристроєм, розробленим для кваліфікованого використання у комплектації з шурупокрутом моделі DCF620 DEWALT та призначеним для автоматичної подачі гвинтів в процесі професійної експлуатації пристрою.

**НЕ** використовуйте за умов підвищеної вологості або в присутності легкозаймистих рідин та газів.

**НЕ** дозволяйте дітям торкатися інструмента. Використання інструмента недосвідченими операторами потребує нагляду.

- **Діти та хворі люди.** Цей пристрій не призначений для експлуатації дітьми та особами з обмеженими розумовими та фізичними можливостями без стороннього контролю.
- Цей пристрій не призначений для використання особами (включаючи дітей) зі зниженими фізичними, сенсорними або розумовими можливостями або особами, яким бракує досвіду або знань, за винятком випадків, коли такі особи працюють під наглядом особи, яка несе відповідальність за їх безпеку. Не можна залишати дітей наодинці з цим приладом.

### МОНТАЖ ТА НАЛАШТУВАННЯ



**УВАГА!** Щоб знизити ризик серйозних травм, вимкніть інструмент та відключіть його від мережі живлення перед виконанням будь-яких налаштувань або зніманням/встановленням насадок чи аксесуарів. Випадковий запуск може призвести до травм.

### Монтаж наконечника обойми шурупокрута (рис. А, В)

**ПРИМІТКА.** Для надійної експлуатації використовуйте виключно наконечник обойми шурупокрута моделі DEWALT.

1. Зніміть передню носову насадку шурупокрута.
2. Зніміть закріплені наконечник та тримач наконечника з шурупокрута.  
**ПРИМІТКА.** Слідуйте інструкції з рекомендаціями щодо зміни наконечників та тримачів вашого шурупокрута.
3. Вставте, притискаючи, відповідний наконечник шурупокрута з обоймою подачі **9** у тримач, доки він не зафіксується.

### Встановлення та видалення обойми з шурупокрута (рис. В)

Знявши передню носову насадку і встановивши наконечник **9**, притискуйте обойму через наконечник в шурупокрут, доки не почуєте клацання. Переконайтеся, що він не від'єднався.

**ПРИМІТКА.** При необхідності поверніть насадку, забезпечивши її відповідне положення в механізмі.

**ПРИМІТКА.** Перед використанням переконайтеся, що на важелі управління шурупокрутом встановлено режим обертів вперед.

Щоб виняти обойму, натисніть і утримуйте кнопки деблокування **8** на обох сторонах насадки. Витягніть насадку з шурупокрута.

### РЕЖИМ РОБОТИ

#### Інструкції з використання



**ПОПЕРЕДЖЕННЯ:** Завжди дотримуйтесь усіх інструкцій з техніки безпеки та відповідних норм.



**ПОПЕРЕДЖЕННЯ:** Щоб знизити ризик серйозних травм, вимкніть інструмент та відключіть

**Його від мережі живлення перед виконанням будь-яких налаштувань або змінами/встановленням насадок або приладдя.**

*Випадковий запуск може призвести до травм.*

## Налаштування довжини гвинта обойми (рис. С)

Ця модель обойми розроблена для застосування гвинтів довжиною 25-57 мм. Використання гвинтів іншої довжини може призвести до того, що гвинти будуть приводитися в дію невідповідним чином, що може призвести до неналежного просування до наступного гвинта або гвинтів та збою роботи при їх експлуатації. На опорній колодці позначені специфічні пази, рекомендовані для використання найпоширеніших типів гвинтів, однак даний пристрій придатний для роботи з гвинтами будь-якого типу розміром від 25 до 57 мм. Для розміщення менш поширених гвинтів перейдіть до наступного найдовшого паза.



**ОБЕРЕЖНО!** Не регулюйте положення, поки стрічка кріплення гвинтів знаходиться в обоймі.

1. Проведіть вліво повзунок регулювання довжини гвинта ②.
2. Утримуючи повзунок регулювання довжини гвинта на місці, налаштуйте опорну колодку ⑦ на потрібну довжину.
3. Відпустіть повзунок регулювання довжини гвинта. Переконайтеся, що стопорний штифт повністю повернувся назад і знаходиться в правильному положенні.

## Установка стрічки кріплення гвинтів (рис. D)

**ПРИМІТКА.** Використовуйте виключно гвинти, придатні для експлуатації з даною моделлю обойми. Вставляйте стрічки з гвинтами лише тоді, коли вимикач шурупокрута вимкнений, а тригер заблокований.

Відповідне використання стрічок кріплення зменшить ризик травмування, застрягання та ризик пошкодження шнеків. Для підвищення продуктивності використовуйте нові, непошкоджені стрічки кріплення, що не містять залишків засмічення.

1. Візьміть стрічку кріплення, утримуючи пластикову частину. Подайте з нижньої частини направляючої гвинтів ① у нижню частину механізму подачі ⑤.
2. Продовжуйте подавати стрічку, доки перший гвинт не буде знаходитися на один паз нижче тримача наконечника.

## Налаштування глибини гвинта (рис. А)

Поверніть тонкий регулятор глибини ③ проти годинникової стрілки (вид із заднього боку інструмента), щоб лапка зупинки головки гвинта піднялася з оброблюваної поверхні.

Поверніть тонкий регулятор глибини ③ за годинниковою стрілкою, щоб головка гвинта зупинилася глибше в оброблюваній поверхні.

Появиться індикатор тонкого регулювання глибини ④, який покаже, де в діапазоні регулювання знаходиться інструмент. Коли повзунок буде як найдаліше від інструменту, головка гвинта зупиниться в максимально піднятому положенні. Якщо повзунок знаходиться ближче до шурупокрута, головка гвинта зупиниться в найглибшому положенні.

## Закручування гвинтів (рис. А)

1. Перед початком закручування гвинтів переконайтеся, що привід шурупокрута переключено в положення вперед. **ПРИМІТКА.** Завжди тримайте шурупокрут перпендикулярно до оброблюваної поверхні.
2. Встановивши обойму подачі на шурупокрут, розташуйте опорну колодку ⑦, навівши її на ділянку оброблюваної поверхні, де потрібно закрутити гвинт.
3. Увімкніть шурупокрут, утримуючи спусковий гачок у положенні «увімкнено». Продовжуйте утримувати спусковий гачок або механізм перемикачання у положенні «увімкнено».
4. Надавіть на оброблювану поверхню. Такий рух шурупокрута вирівняє напрямок закручування гвинта.
5. Продовжуйте працювати зі сталим натиском до повного закручування гвинта та його розчеплення від шурупокрута.
6. Відведіть шурупокрут в сторону від оброблюваної поверхні.

Обойма подачі призначена для закручування необхідної кількості гвинтів у оброблювану поверхню. Після того, як шурупокрут буде відведено в сторону, підгонка гвинта виконується, насамперед, після зняття обойми.

## Поворот насадки обойми

Дана насадка може повертатися, не будучи знятою з шурупокрута по гіпсокартону. Щоб повернути, захопіть верхню частину однією рукою, утримуючи шурупокрут іншою, а потім повертайте її. Звук «кляцання» вказує на те, що обойма знаходиться у відповідному положенні для кожної з доступних позицій.

## ТЕХНІЧНЕ ОБСЛУГОВУВАННЯ

Ваш електричний інструмент призначений для роботи протягом довгого часу з мінімальним обслуговуванням. Довга задовільна робота приладу залежить від належного обслуговування приладу та регулярного його очищення.



**ПОПЕРЕДЖЕННЯ:** Щоб знити ризик серйозних травм, вимкніть інструмент та відключіть його від мережі живлення перед виконанням будь-яких налаштувань або змінами/встановленням насадок або приладдя.

*Випадковий запуск може призвести до травм.*



## Змащування

Ваш електричний інструмент не вимагає додаткового змащування.



## Очищення



**ПОПЕРЕДЖЕННЯ:** Коли пил та бруд стають помітними та починають накопичуватися біля вентиляційних отворів, вивувайте бруд та пил зсередини основного корпусу за допомогою сухого повітря. Використовуйте рекомендовані засоби захисту органів зору та рекомендовану протипилову маску при виконанні цієї операції.



**ПОПЕРЕДЖЕННЯ:** Ніколи не використовуйте розчинники та інші агресивні хімічні засоби для очищення неметалевих деталей інструмента. Такі хімічні речовини можуть нанести шкоду матеріалам, що використовуються в цих деталях. Використовуйте вологу ганчірку, змочену лише водою з м'яким милом. Не дозволяйте рідині потрапляти всередину інструмента та ніколи не занурюйте деталі інструмента в рідину.

## Для підвищення продуктивності очищуйте обійму наступним шляхом:

1. Зніміть механізм подачі з обійми подачі (див. інструкцію **Видалення та встановлення механізму подачі**).
2. За допомогою стисненого повітря та чистої тканини очистіть усі видимі місця і порожнини від пилу. При необхідності протріть як механізм подачі, так і корпус обійми подачі.
3. Зберіть та продовжуйте використовувати.

## Видалення та встановлення механізму подачі (рис. E)



**ОБЕРЕЖНО!** Механізм подачі є підпружинений. Видалення механізму подачі необхідно проводити обома руками. Пружина здатна вискочити з механізму.

## Видалення механізму подачі

1. Зніміть насадку обійми подачі з шурупокрута.
2. Прижміть злегка механізм подачі **5**, натиснувши однією рукою на опорну колодку **7**.
3. Притискаючи опорну колодку **7**, потягніть за важіль розблокування **11** вниз так, щоб штифти викручувалися з напрямної.
4. Повільно зменшуйте навантаження на опорну колодку **7**, доки механізм подачі не вийде з корпусу обійми подачі **6**.

## Встановлення механізму подачі

1. Знявши з шурупокрута насадку обійми подачі, вирівняйте на опорній колодці виступи **12** з пазами **13** у корпусі обійми подачі.
2. Натисніть злегка, потім вирівняйте пружину **14** з виімкою в механізмі подачі.
3. Натискайте на механізм подачі, доки не почуєте «кляцання» робочої кнопки. Важіль розблокування **11** повинен з «кляцанням» встати на місце у свій паз. Можливо, вам доведеться потягнути важіль вниз, якщо він не зафіксується на місці.  
**ПРИМІТКА.** Перед встановлення механізму подачі важіль розблокування **11** повинен знаходитись у нижньому положенні (як показано на рис. E). Якщо важіль знаходиться у верхньому положенні, механізм подачі буде заблокований.
4. Перш ніж установити механізм подачі у шурупокрут для використання, прокрутіть механізм кількаразово вручну, щоб забезпечити його належну роботу.

## Знімна опорна колодка (рис. F)

Знімання опорної колодки забезпечує ближчий доступ до кутів.

1. Щоб зняти опорну колодку **7** на передній частині пристрою, викрутіть два гвинти **15** за допомогою T10 Torx. Вийміть безпосередньо опорну колодку, щоб зняти її.
2. Для встановлення на місце надягніть опорну колодку на механізм подачі, поки отвори для гвинтів не сумістяться. Встановіть гвинти на місце.

## Додаткові аксесуари



**ПОПЕРЕДЖЕННЯ:** Оскільки інше приладдя, що не зазначене виробником DeWALT, не перевірялося з цим пристроєм, його використання з інструментом може бути небезпечним. Необхідно використовувати лише рекомендовані DeWALT приладдя з цим пристроєм, щоб знизити ризик отримання травми.

Зверніться до свого дилера для отримання подальшої інформації щодо відповідного приладдя.

- PH2 видовжений наконечник x 5 -DT20425

## Захист навколишнього середовища



Роздільний збір. Пристрої позначені цим символом, не можна викидати зі звичайним побутовим сміттям.

Пристрої містять матеріали, які можна відновити та переробити, що зменшить потребу у сировині. Утилізуйте електротехнічну продукцію відповідно до місцевих положень. Більш детальну інформацію можна отримати на сайті [www.2helpU.com](http://www.2helpU.com).



Виробник:  
"Stanley Black & Decker Deutschland  
GmbH" Black-&-Decker Str.40, D-65510  
Idstein, Німеччина

**DEWALT**

ГАРАНТІЙНИЙ ТАЛОН

**3 РОКИ  
ГАРАНТІЇ**

1. Вітаємо Вас з покупкою високоякісного виробу DEWALT і висловлюємо вдячність за Ваш вибір.
2. При покупці виробу вимагайте перевірки його комплектності і справності у Вашій присутності, інструкцію з експлуатації та заповнений гарантійний талон українською мовою. В гарантійному талоні повинні бути внесені: модель, дата продажу, серійний номер, дата виробництва інструменту, назва, печатка і підпис торгової організації. За відсутності у Вас правильно заповненого гарантійного талону, а також при невідповідності зазначених у ньому даних ми будемо змушені відхилити Ваші претензії щодо якості даного виробу.
3. Щоб уникнути непорозумінь, переконливо просимо Вас перед початком роботи з виробом уважно ознайомитися з інструкцією з його експлуатації. Правовою основою справжніх гарантійних умов є чинне Законодавство. Гарантійний термін на даний виріб складає 36 місяці і обчислюється з дня продажу. У разі усунення недоліків виробу, гарантійний строк продовжується на період його перебування в ремонті. Термін служби виробу становить 5 років з дня продажу.
4. У разі виникнення будь-яких проблем у процесі експлуатації виробу рекомендуємо Вам звертатися тільки в уповноважені сервісні центри DEWALT, адреси та телефони яких Ви зможете знайти в гарантійному талоні, на сайті [www.2helpU.com](http://www.2helpU.com) або дізнатися в магазині. Наші сервісні станції - це не тільки кваліфікований ремонт, але і широкий асортимент запчастин і аксесуарів.
5. Виробник рекомендує проводити періодичну перевірку і технічне обслуговування виробу в уповноважених сервісних центрах.
6. Наші гарантійні зобов'язання поширюються тільки на несправності, виявлені протягом гарантійного терміну і викликані дефектами виробництва та \ або матеріалів.
7. Гарантійні умови не поширюються на несправності виробу, що виникли в результаті:
  - 7.1. Недотримання користувачем приписів інструкції з експлуатації виробу, застосування виробу не за призначенням, неправильного зберігання, використання приладдя, витратних матеріалів і запчастин, що не передбачені виробником.
  - 7.2. Механічного пошкодження (відколи, тріщини і руйнування) внутрішніх і зовнішніх деталей виробу, основних і допоміжних рукояток, мережевого кабелю, що викликані зовнішнім ударним або будь-яким іншим впливом
  - 7.3. Поتراплення у вентиляційні отвори та проникнення всередину виробу сторонніх предметів, матеріалів або речовин, що не є відходами, які супроводжують застосування виробу за призначенням, такими як: стружка, тирса, пісок, і т.ін.
  - 7.4. Впливу на виріб несприятливих атмосферних і інших зовнішніх факторів, таких як дощ, сніг, підвищена вологість, нагрівання, агресивне середовище, невідповідність параметрів електромережі, що зазначені на інструменті.
  - 7.5. Стихійного лиха. Пошкодження або втрати виробу, що пов'язані з непередбаченими лихами, стихійними явищами, у тому числі внаслідок дії непереборної сили (пожежа, блискавка, потоп і інші природні явища), а також внаслідок перепадів напруги в електромережі та іншими причинами, які знаходяться поза контролем виробника.
8. Гарантійні умови не поширюються:
  - 8.1. На інструменти, що піддавалися розкриттю, ремонту або модифікації поза уповноваженим сервісним центром.
  - 8.2. На деталі, вузли та матеріали, що мають сліди природного зносу, такі як: приводні ремені і колеса, вугільні щітки, мастило, підшипники, зубчасті зчеплення редукторів, гумові ущільнення, сальники, направляючі ролики, муфти, вимикачі, бойки, штовхачі, столи тощо.
  - 8.3. На змінні частини: патрони, цанги, затискні гайки і фланці, фільтри, ножі, шліфувальні підшви, ланцюги, зірочки, пильні шини, захисні кожухи, пилки, абразиви, пильні і абразивні диски, фрези, свердла, бури тощо
  - 8.4. На несправності, що виникли в результаті перевантаження інструменту (як механічного, так і електричного), що спричинили вихід з ладу одночасно двох і більше деталей і вузлів, таких як: ротора і статора, обох обмоток статора, веденої і ведучої шестерень редуктора або інших вузлів і деталей. До безумовних ознак перевантаження виробу відносяться, крім інших: поява кольорів мінливості, деформація або оплвлення деталей і вузлів виробу, потемніння або обуглювання ізоляції проводів електродвигуна під впливом високої температури.

Товар отриманий в справному стані, без видимих ушкоджень, в повній комплектації, перевірений у моїй присутності, претензій щодо якості товару не маю. З умовами гарантійного обслуговування ознайомлений і згоден.

П. І. Б. та підпис власника \_\_\_\_\_

**Шановні клієнти, наша мережа авторизованих сервісних центрів постійно розширюється. Актуальну інформацію про обслуговування в місті, що цікавить вас, ви можете дізнатися на сайті**

**[www.2helpU.com](http://www.2helpU.com)**

Редакція ВК/12-12-2018



Інформація про інструмент

Найменування інструменту	
Модель	
Найменування продавця	
Дата продажу	

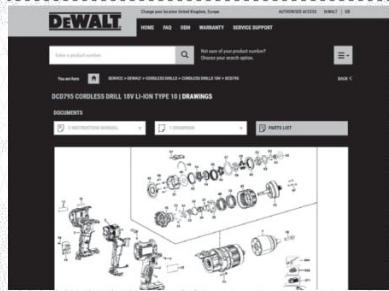
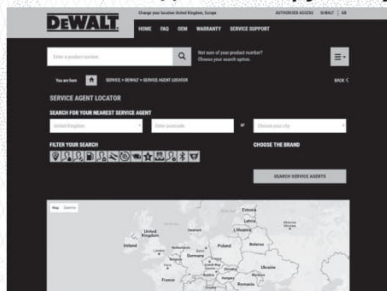
М.П.  
Продавця

Серійний номер/Дата виробництва

Інструмент	
Зарядний пристрій	
Акумулятор 1	
Акумулятор 2	

На сайті [www.2helpU.com](http://www.2helpU.com) доступні наступні функції:

- Список авторизованих сервісних центрів
- Зручний пошук найближчого сервісного центру
- Керівництво з експлуатації
- Технічні характеристики
- Список деталей і запасних частин
- Схема складання інструменту



Також дану інформацію ви можете отримати, зателефонувавши за номером:  
**0 (800) 211 521 в Україні**

ВІДМІТКА ПРО ПРОВЕДЕННЯ СЕРВІСНОГО ОБСЛУГОВУВАННЯ

№1	№2	№3	№4
№ замовлення	№ замовлення	№ замовлення	№ замовлення
Дата прийому	Дата прийому	Дата прийому	Дата прийому
Дата ремонту	Дата ремонту	Дата ремонту	Дата ремонту
Печатка і підпис сервісного центру	Печатка і підпис сервісного центру	Печатка і підпис сервісного центру	Печатка і підпис сервісного центру



